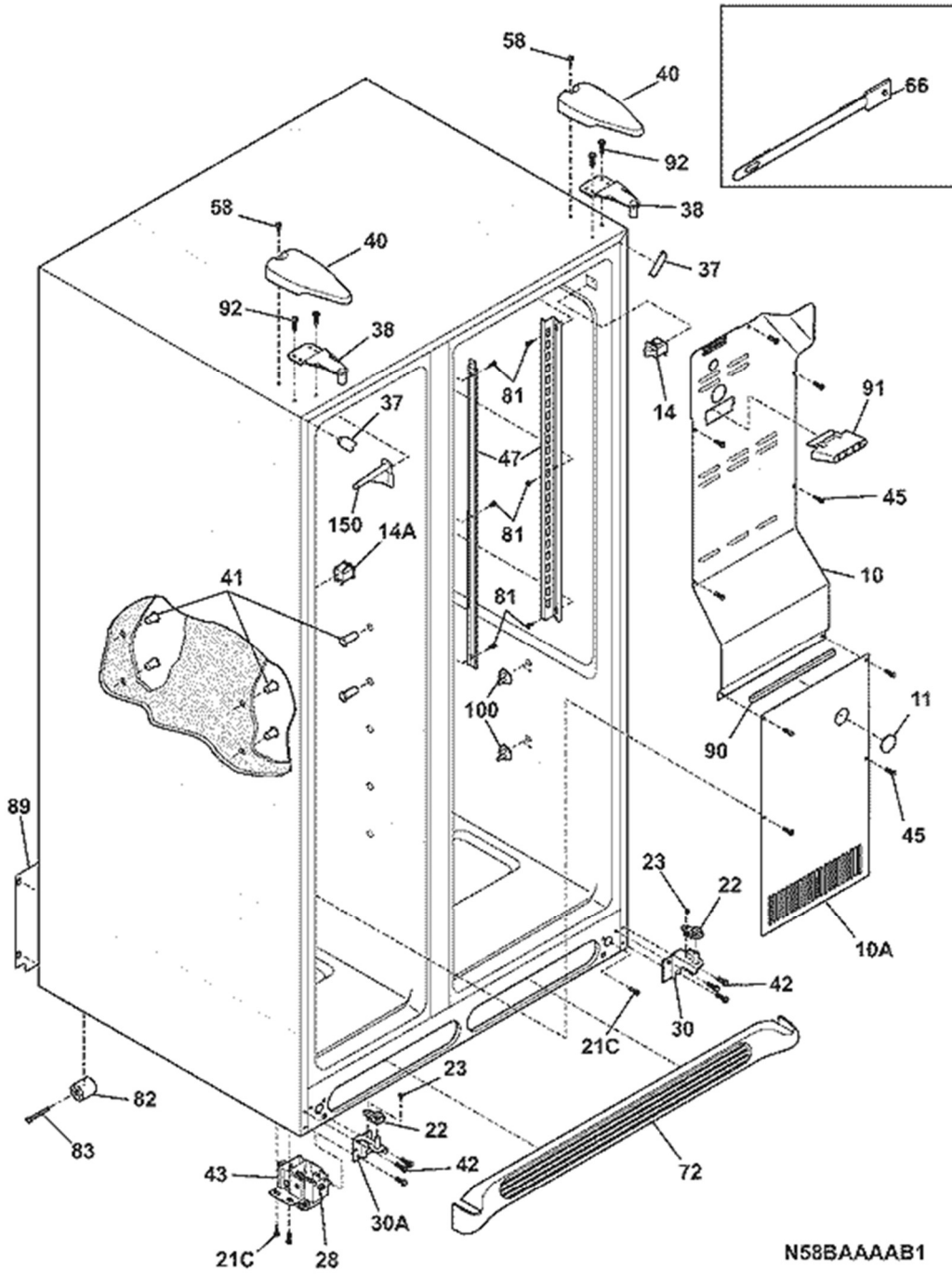


REFRIGERADOR PLHS269ZDB0

Publication No: 5995411302

PLHS269ZDB0

CABINET



N58BAAAAB1

Distribuidor Autorizado

SurteRápido.com

Venta de Refacciones
Electrodomesticas

REFRIGERADOR PLHS269ZDB0

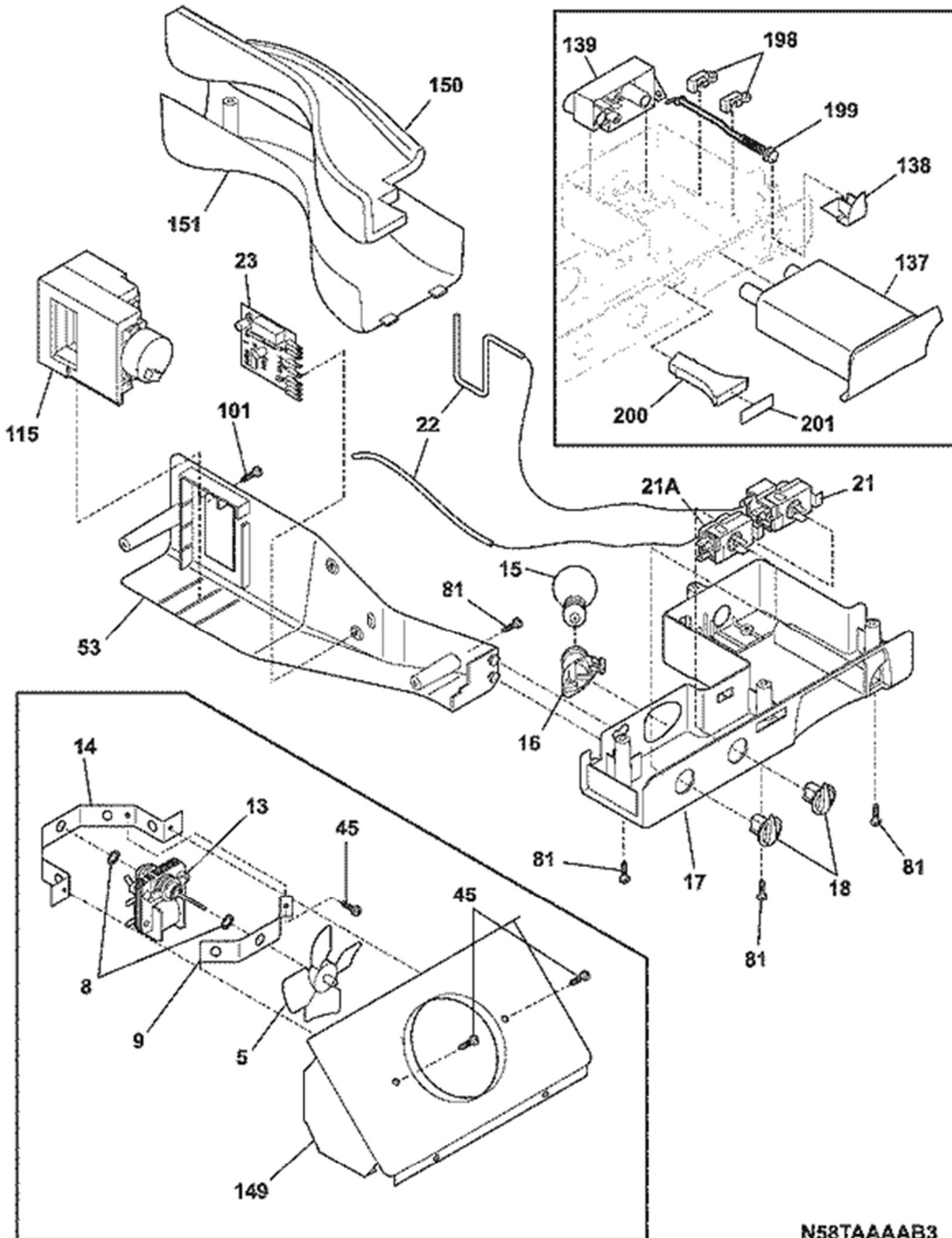
| Guía | Nombre | N.P. |
|------|--------------------------|------------|
| 10 | COVER-AIR DUCT | 240435908 |
| 10A | COVER-EVAP COIL | 240475907 |
| 11 | PLUG BUTTON-WHITE | 5303208309 |
| 21C | SCREW | 218252201 |
| 22 | DOOR CLOSING CAM | 240457701 |
| 23 | SCREW | 5304520331 |
| 28 | ROLLER ASSEMBLY | 5304499445 |
| 30 | HINGE KIT LEFT-RIGHT | 5303918455 |
| 30A | HINGE KIT LEFT-RIGHT | 5303918455 |
| 37 | TRIM-CABINET CORNER | 242161202 |
| 38 | UPPER HINGE BRACKET | 240327207 |
| 40 | UPPER HINGE COVER | 240327007 |
| 41 | SHELF MOUNTING GROMMET | 241550801 |
| 42 | HINGE MOUNTING HEXAGONAL | 240578902 |
| 43 | ROLLER ASSEMBLY | 5304499445 |
| 45 | SCREW | 241500303 |
| 47 | CHANNEL-SHELF MOUNTING | 240349402 |
| 58 | PAN HEAD SCREW | 218781101 |
| 66 | DAMPER COVER ASSEMBLY | 5304424968 |
| 72 | KICKPLATE GRILLE | 240324411 |
| 81 | HEX HEAD SCREW | 5304455650 |
| 82 | REAR ROLLER-BLACK | 5304418225 |
| 83 | RIVET | 5304455655 |
| 89 | ACCESS PANEL | 241733902 |
| 90 | SEAL-COIL COVER | 218249808 |
| 91 | DUCT-ICE MAKER | 240380101 |
| 92 | HEXAGONAL SCREWW | 241710601 |
| 100 | CRISPER SUPPORT REAR | 241993001 |
| 100 | CRISPER COVER S. FRONT | 241993101 |
| 150 | GUIDE-CONTROL BULB | 240368701 |
| F14 | LIGHT SWITCH | 240505801 |
| F14A | SWITCH-LIGHT | 241547902 |

REFRIGERADOR PLHS269ZDB0

Publication No: 5995411302

PLHS269ZDB0

CONTROLS



N58TAAAAB3

Distribuidor Autorizado

SurteRápido.com

Venta de Refacciones
Electrodomesticas

REFRIGERADOR PLHS269ZDB0

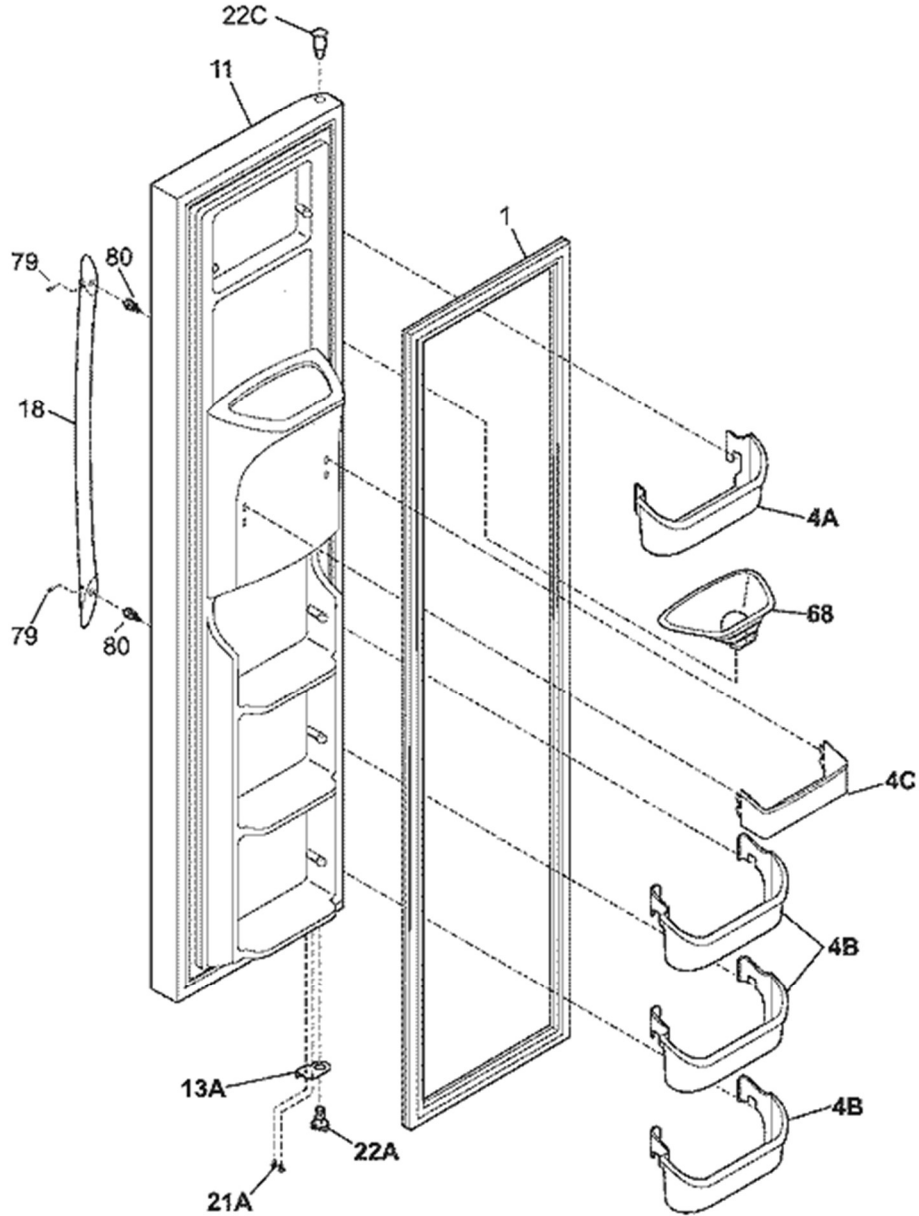
| Guía | Nombre | N.P. |
|------|---------------------------|------------|
| 8 | FAN MOTOR MOUNTING | G187559 |
| 9 | BRACKET-MOTOR | 5303292396 |
| 14 | EVAPORATOR BRACKET | 240438003 |
| 15 | LIGHT BULB | 316538904 |
| 16 | LIGHT SOCKET | 218906802 |
| 17 | BOX-CONTROL | 240317701 |
| 18 | THERMOSTAT KNOB W | 240360801 |
| 21A | TEMPERATURE CONTROL | 5304496561 |
| 22 | TUBE-INSULATOR | 218660704 |
| 45 | SCREW | 5304455651 |
| 53 | CONTROL BOX COVER | 240369501 |
| 81 | HEX HEAD SCREW | 5304455650 |
| 101 | SCREW HEX WASHER HEAD | 218493101 |
| 115 | AIR DAMPER CONTROL 2 SW | 241600902 |
| 137 | WATER FILTER | WF2CB |
| 138 | BUTTON-FILTER RELEA | 240397301 |
| 139 | WATER FILTER BASE | 240396002 |
| 149 | SHROUD FAN ORIFICE | 5304444980 |
| 150 | INSULATION-WATER TU | 240394204 |
| 151 | COVER-WATER TUBE | 240373806 |
| 198 | WATER FILTER ROD RETAINER | 240397401 |
| 199 | WATER FILTER RELEASE ROD | 240397501 |
| 199 | FILTER RELEASE SPRING | 240398401 |
| 200 | LIGHT PIPE | 240397601 |
| 201 | LABEL | 240398508 |
| F5 | EVAPORATOR FAN BLADE | 5308000010 |
| F13 | EVAPORATOR FAN MOTOR KIT | 5303918549 |
| F21 | TEMPERATURE CONTROL | 241537104 |
| F23 | ADAPTIVE DEFROST CONTROL | 5303918476 |
| F137 | BYPASS | 242227702 |
| F139 | O-RING | 240527001 |

REFRIGERADOR PLHS269ZDB0

Publication No: 5995411302

PLHS269ZDB0

FREEZER DOOR



N58FFDBAB1



REFRIGERADOR PLHS269ZDB0

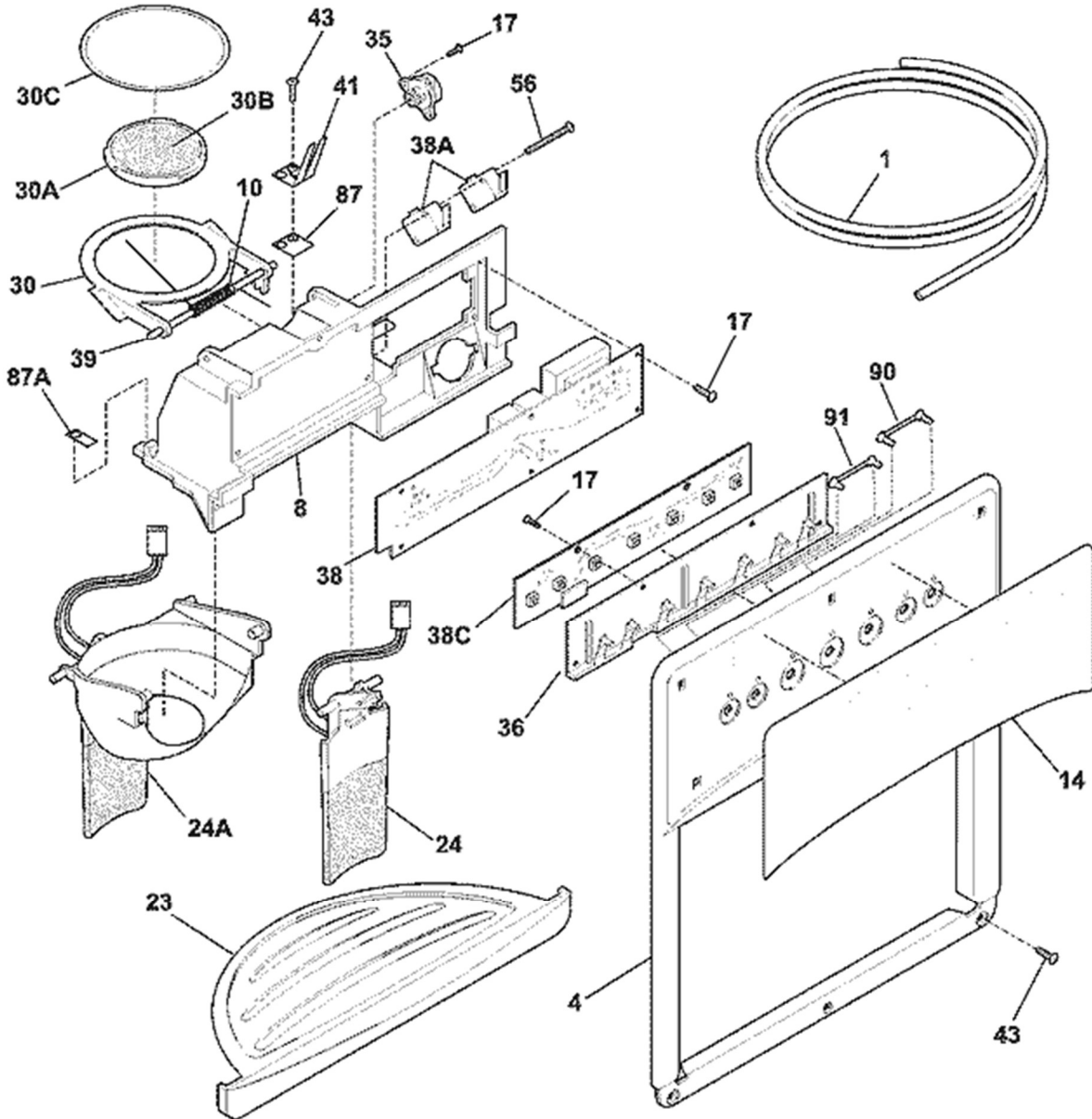
| Guía | Nombre | N.P. |
|------|------------------------------|-----------|
| 4A | UPPER FREEZER DOOR BIN | 240334202 |
| 4B | DOO BIN | 240351602 |
| 4C | BIN | 240351702 |
| 11 | DOOR-COMPLETE | 241674604 |
| 13A | DOOR STOP-BLACK | 240581906 |
| 18 | DOOR HANDLE | 240536818 |
| 21A | SCREW | 240598401 |
| 22A | HINGE BEARING CLOSER FREEZER | 242000501 |
| 22C | UPPER HINGE BEARING | 240328404 |
| 68 | CHUTE-ICE | 241525101 |
| 79 | SCREW | 218755402 |
| 80 | SCREW | 218755504 |
| F1 | FREEZER DOOR GASKET BLACK | 241786006 |

REFRIGERADOR PLHS269ZDB0

Publication No: 5995411302

PLHS269ZDB0

ICE & WATER DISPENSER



N58XEAAA0

Distribuidor Autorizado

SurteRápido.com

Venta de Refacciones
Electrodomesticas

REFRIGERADOR PLHS269ZDB0

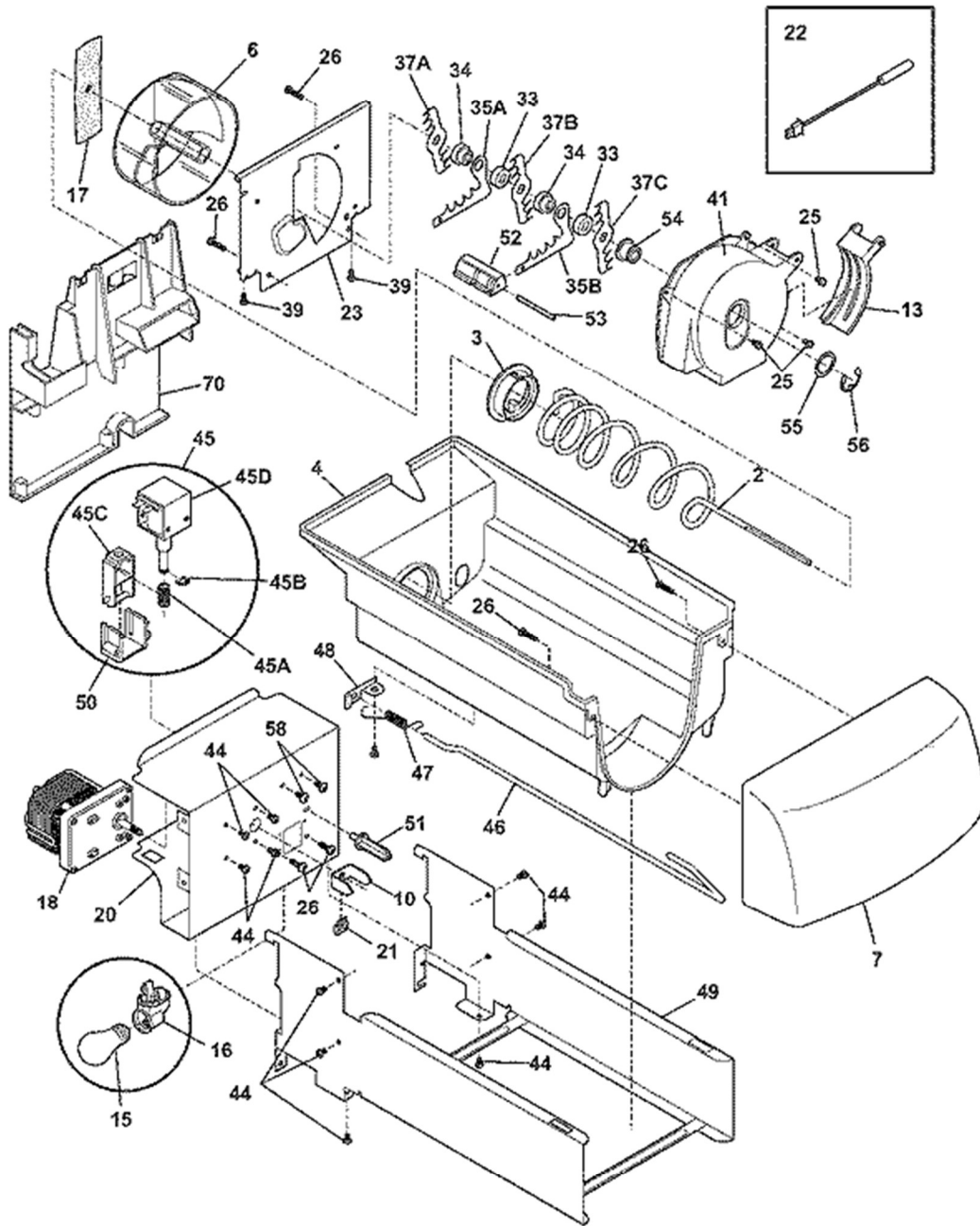
| Guía | Nombre | N.P. |
|------|------------------------------|------------|
| 1 | WATER NTUBE | 218976409 |
| 4 | DISPENSER COVER | 241678703 |
| 8 | DISPENSER MODULE | 241680503 |
| 10 | DOOR SPRING | 241688901 |
| 14 | LABEL-MODULE COVER | 240323983 |
| 17 | MOUNTING SCREW | 241679801 |
| 23 | DISPENSER GRILLE | 241649003 |
| 24 | WATER DISPENSER ACTUATOR | 241685703 |
| 24A | ICE DISPENSER ACTUATOR BLACK | 241682303 |
| 30 | ICE CHUTE DOOR | 241688401 |
| 304 | DISPENSER DOOR FLAP-BLACK | 241688501 |
| 30B | DOOR INSULATION | 241688601 |
| 30C | ICE DISPENSER DOOR SEAL | 241688701 |
| 35 | DAMPER-ROTARY | 241689301 |
| 36 | CARRIER | 241680301 |
| 38 | DISPENSER POWER BOARD | 241708102 |
| 38A | MICRO SWITCH | 241689106 |
| 38C | RIBBON CABLE HARNESS | 241708307 |
| 38C | DISPENSER CONTROL BOARD | 241708307 |
| 39 | ICE CHUTE DOOR HINGE | 241688801 |
| 41 | SPRING-ACTUATOR | 241689001 |
| 43 | SCREW | 5304455699 |
| 56 | SCREW-MICRO SWITCH | 5304421830 |
| 87 | DISPENSER ICE CHUTE DOOR B | 241688302 |
| 87A | BEARING PLATE | 241688301 |
| 90 | LENS | 241680201 |
| 91 | LENS | 241680101 |

REFRIGERADOR PLHS269ZDB0

Publication No: 5995411302

PLHS269ZDB0

ICE CONTAINER



N58YDAAAC0

Distribuidor Autorizado

SurteRápido.com

Venta de Refacciones
Electrodomesticas

REFRIGERADOR PLHS269ZDB0

| Guía | Nombre | N.P. |
|------|---------------------------|------------|
| 2 | ICE AUGER | 241716101 |
| 3 | CAM CRIVE | 241685201 |
| 4 | CONTAINER | 241561302 |
| 6 | ICE DISPENSER DRUM | 241685101 |
| 7 | ICE CONTAINER FRONT-WHITE | 241561401 |
| 10 | DRIVE BAR | 241726501 |
| 13 | DISPENSER CRUSHER HOUSING | 241885001 |
| 15 | LIGHT BULB | 316538904 |
| 16 | LIGHT SOCKET | 241559801 |
| 17 | DRIVE BLADE | 241684503 |
| 20 | COVER-MOTOR | 241675502 |
| 21 | DRIVE BAR | 241726501 |
| 22 | TEMPERATURE SENSOR | 240597203 |
| 23 | FRONT PLATE | 241684001 |
| 25 | SCREW | 240555002 |
| 26 | SCREW | 5304420654 |
| 33 | SPACER | 241684802 |
| 34 | SPACER | 241689802 |
| 35A | ICE CRUSHER FIXED BLADE | 241684303 |
| 35B | FIXED BLADE, SQUARE | 241684203 |
| 37A | BLADE | 241684107 |
| 37B | BLADE | 241684108 |
| 37C | BLADE, CRUSHER | 241684109 |
| 39 | SCREW | 241690501 |
| 41 | DISPENSER CRUSHER HOUSING | 241885001 |
| 44 | SCREW | 218359202 |
| 45A | SPRING-SOLENOID | 241675902 |
| 45B | SOLENOID E-RING | 241676001 |
| 45C | ACTUATOR SOLENOID-WHITE | 241676101 |
| 45D | ICE SOLENOID | 241675803 |
| 46 | CONTROL ROD | 5304404341 |
| 47 | SPRING-CONTROL ROD | 241690101 |
| 48 | BRACKET-CONTROL ROD | 241684602 |
| 49 | PLATE | 242195602 |
| 50 | GUIDE-SOLENOID | 241675601 |
| 51 | ROTATION STOP | 241676301 |

Distribuidor Autorizado

SurteRápido.com

Venta de Refacciones
Electrodomesticas

REFRIGERADOR PLHS269ZDB0

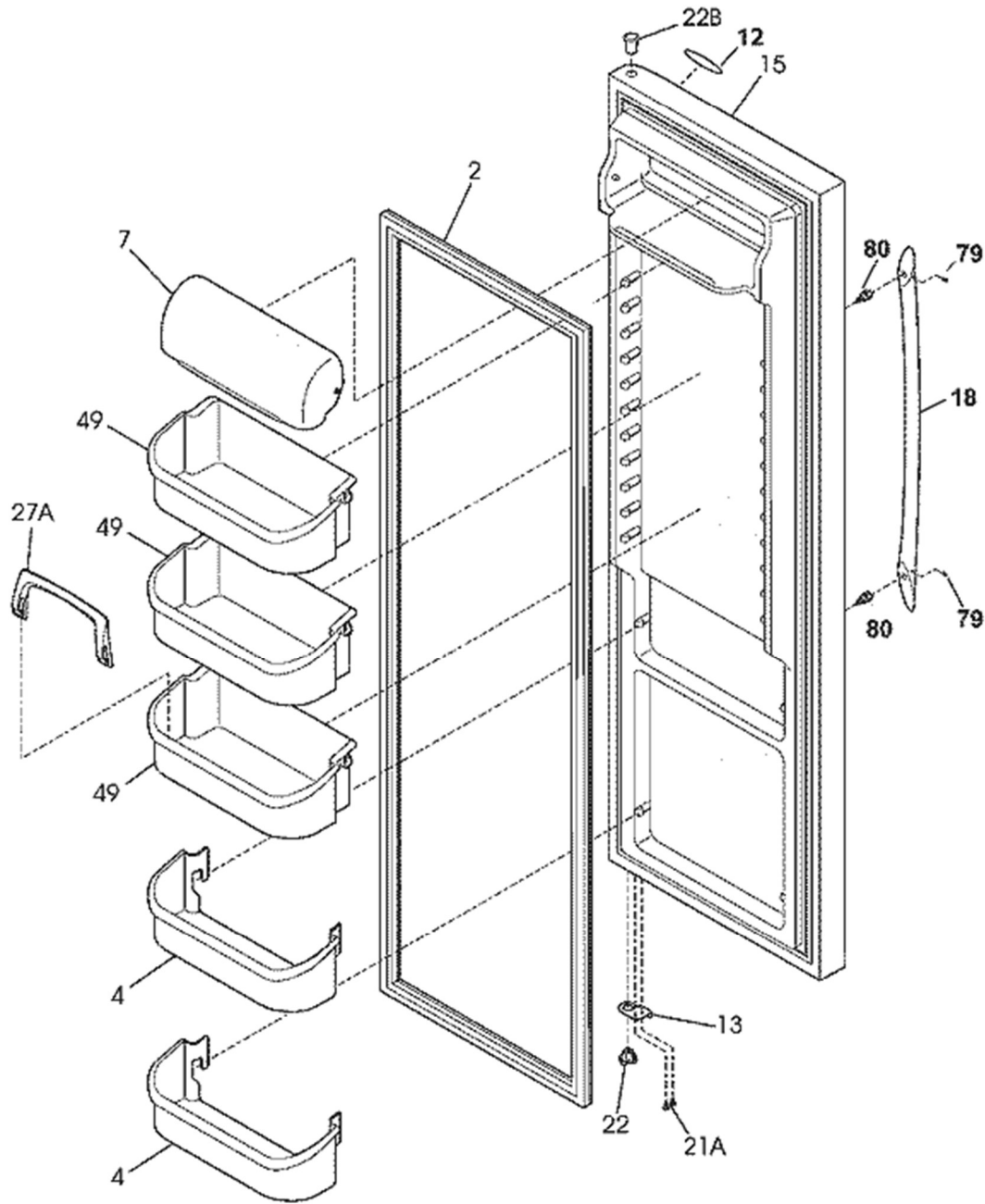
| Guía | Nombre | N.P. |
|------|------------------------|------------|
| 52 | SPACER-FIXED BLADES | 241684901 |
| 53 | PIN-SPIRAL | 241690402 |
| 54 | AUGER NUT | 241685001 |
| 55 | WASHER | 241690306 |
| 56 | E-RING | 241690201 |
| 58 | SCREW-SOLENOID | 5304404331 |
| 70 | PLATE-MOUNTING | 241504600 |
| F18 | AUGER MOTOR | 242221501 |
| F45 | ICE DISPENSER SOLENOID | 241675704 |

REFRIGERADOR PLHS269ZDB0

Publication No: 5995411302

PLHS269ZDB0

REFRIGERATOR DOOR



N58RFDBAA1

Distribuidor Autorizado

SurteRápido.com

Venta de Refacciones
Electrodomesticas



REFRIGERADOR PLHS269ZDB0

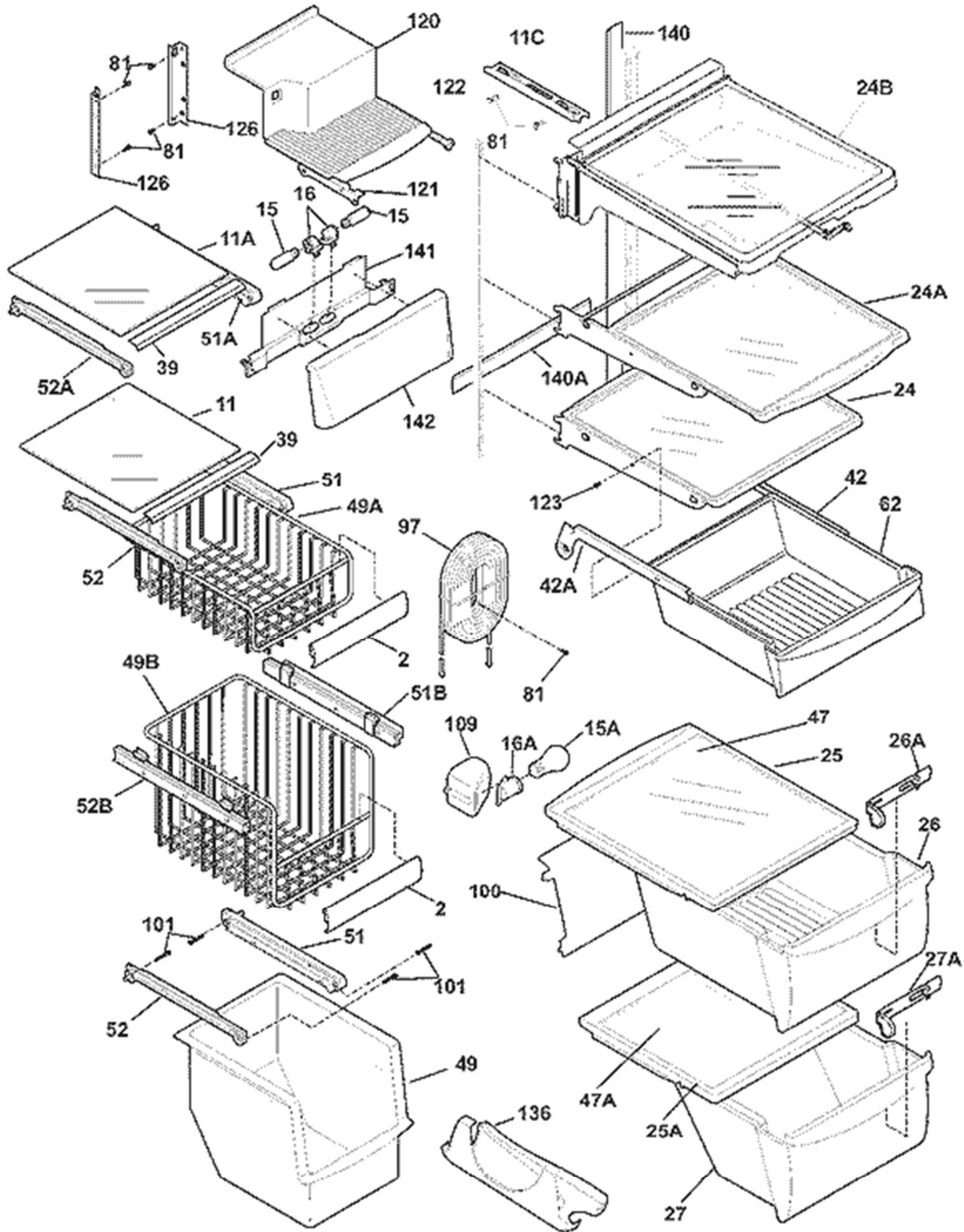
| Guía | Nombre | N.P. |
|------|------------------------------|-----------|
| 2 | FRESH FOOD DOOR GASKET BLACK | 241786005 |
| 4 | BOTTOM DOOR BIN | 240323002 |
| 7 | DAIRY DOOR | 240326203 |
| 12 | NAMEPLATE | 240558802 |
| 13 | DOOR STOP | 240581905 |
| 15 | DISPLAY DOOR COMPLET | 240451981 |
| 18 | DOOR HANDLE | 240536818 |
| 21A | SCREW | 240598401 |
| 22 | HINGE BEARING | 240328203 |
| 22B | UPPER HINGE BEARING | 240328404 |
| 27A | TALL BOTTLE RETAINER | 240396102 |
| 49 | DOOR BIN-CLEAR | 240356402 |
| 79 | SCREW | 218755402 |
| 80 | SCREW | 218755504 |

REFRIGERADOR PLHS269ZDB0

Publication No: 5995411302

PLHS269ZDB0

SHELVES



N58SLDJBE11

Distribuidor Autorizado

SurteRápido.com

Venta de Refacciones
Electrodomesticas

REFRIGERADOR PLHS269ZDB0

| Guía | Nombre | N.P. |
|------|----------------------------|------------|
| 2 | TRIM-BASKET | 241510604 |
| 11 | LOWER FREEZER GLASS | 240350605 |
| 11A | SHELF GLASS | 240350604 |
| 11C | PIZZA SHELF | 240324101 |
| 15 | LIGHT BULB 25W | 216846400 |
| 15A | LIGHT BULB | 316538904 |
| 16 | SOCKET LIGHT | 240590403 |
| 24 | SPILL SAFE GLASS SHELF | 240355203 |
| 24A | GLASS SHELF | 240350150 |
| 24B | GLASS SHELF | 240350150 |
| 25 | UPPER CRISPER DRAWE | 240350702 |
| 25A | CRISPER DRAWE COVER | 240350903 |
| 26 | CRISPER DRAWE | 240351061 |
| 26A | HUMIDITY CONTROL & | 5303918317 |
| 27 | LOWER CRISPER DRAWE | 240351240 |
| 27A | HUMIDITY CONTROL SLIDE | 240362201 |
| 39 | SHELF TRIM | 240367602 |
| 42 | MEAT DRAWE RAIL RIGHT | 240356501 |
| 42A | MEAT PAN RAIL LEFT WHITE | 240356501 |
| 42A | MEAT PAN RAIL BLOCK LEFT S | 240349901 |
| 42A | MEAT PAN RAIL SPRING | 240350001 |
| 47 | CRISPER GLASS INSERT | 240350649 |
| 47A | PAN COVER INSERT | 240350603 |
| 49 | SLIDING BASKET | 240564401 |
| 49A | BASKET-SLIDING | 240530502 |
| 49B | BASKET | 240530504 |
| 51 | BASKET HANGER RIGHT SIDE | 240343002 |
| 51A | HANGER-BASKET | 240395502 |
| 51B | HANGER-BASKET | 240579801 |
| 52 | BASKET HANGER LEFT SIDE | 240343102 |
| 52A | HANGER-BASKET | 240395602 |
| 52B | HANGER-BASKET | 240579802 |
| 62 | MEAT PAN | 240342805 |
| 81 | HEX HEAD SCREW | 5304455650 |
| 97 | WATER TANK ASSEMBLY | 240545303 |

Distribuidor Autorizado

SurteRápido.com

Venta de Refacciones
Electrodomesticas



REFRIGERADOR PLHS269ZDB0

| Guía | Nombre | N.P. |
|------|----------------------------|------------|
| 100 | WATER TANK COVER | 240326304 |
| 101 | SCREW HEX WASHER HEAD | 218493101 |
| 109 | BASE-CRISPER LIGHT | 240351301 |
| 120 | ICE CREAM SHELF | 241691901 |
| 121 | RAIL-ICE CREAM SHEL | 241561001 |
| 122 | RAIL-ICE CREAM SHEL | 241561201 |
| 123 | SCREW | 215005101 |
| 126 | CHANNEL, AUGER MOUNTING LH | 241674401 |
| 126 | CHANNEL, AUGER MOUNTING RH | 241674402 |
| 136 | DISPENSER-CAN | 241657702 |
| 140 | CHANNEL | 240430501 |
| 141 | BRACKET-LIGHT SOCKE | 240585404 |
| 142 | SHIELD | 240582703 |
| F16A | HARNESSE-ELECTRICAL | 241537502 |
| F16A | LIGHT SOCKET | 218906802 |
| F26A | HUMIDITY CONTROL & | 5303918317 |
| F140 | CHANNEL | 240430503 |

Distribuidor Autorizado

SurteRápido.com

Venta de Refacciones
Electrodomesticas



REFRIGERADOR PLHS269ZDB0

| Guía | Nombre | N.P. |
|------|--------------------------|------------|
| 1 | CONDENSER | 242039204 |
| 3 | BLOCK-EVAP COIL | 218679614 |
| 6 | HARNESS-WIRING | 240346402 |
| 16 | ALUMINIUM HEATER SRAP | 5308000110 |
| 21 | DEFROST THERMOSTAR KIT | 5303918214 |
| 22 | BASE-COMPRESSOR | 240330011 |
| 23 | COMPRESSOR MOUNTING | 218513300 |
| 25 | SCREW COMPRESSOR | 240491503 |
| 26 | PAN-DEFROST | 241697602 |
| 32 | CLAMP ELEC CONT MOUNTING | 241544101 |
| 34 | CONDENSER COIL GROMMET | 240405201 |
| 41 | SCREW | 240555002 |
| 44 | CLAMP-WIRING HARNES | 5303001199 |
| 45 | HEX HEAD SCREW | 5304455650 |
| 55 | RUN CAPACITOR | 297286803 |
| 57 | CLIP WIRING HARNESS | 240542601 |
| 58 | SCREW | 240569202 |
| 59 | SHROUD-COND FAN | 240315501 |
| 59A | BRACKET-SUPPORT | 240346501 |
| 59B | GROMMET-BRACKET | 240346601 |
| 61 | BLADE-CONDENSER FAN | 241639502 |
| 61B | BRACKET-SUPPORT | 240564001 |
| 62 | TROUGH | 5304481642 |
| 70 | BRACKET-EVAP/CVR MT | 218990801 |
| 82 | REAR ROLLER BLACK | 5304418225 |
| 83 | RIVET | 5304455655 |
| 84 | DRAIN TUBE | 241957901 |
| 85 | TUBE CONNECTOR | 241856901 |
| 86 | SPACER-COND TUBE | 240409302 |
| F4 | FILTER DRIER | 5303305677 |
| F14 | DEFROST HEATER KIT | 5303918255 |
| F15 | EVAPORATOR KIT | 5303918284 |
| F29 | COMPRESSOR | 5304475102 |
| F30 | COMPRESSOR START RELAY | 297237702 |
| F60 | MOTOR-CONDENSER FAN | 5304448483 |