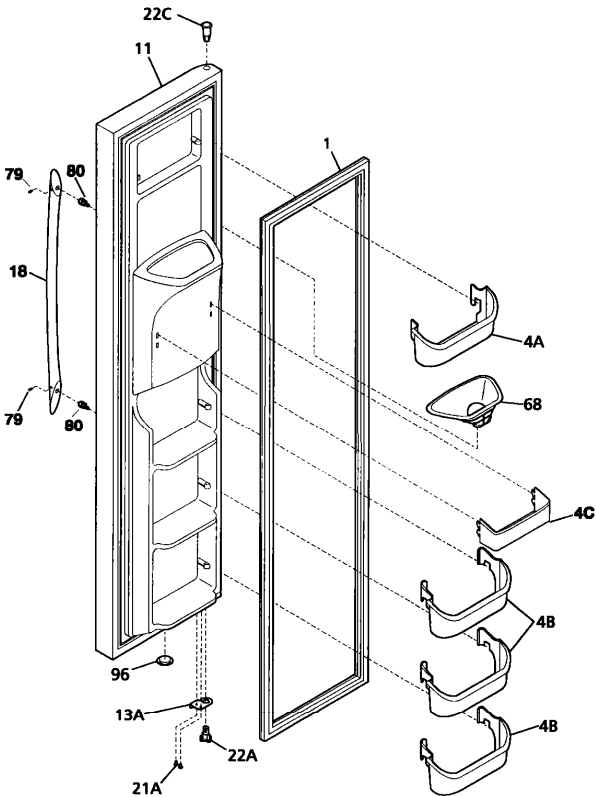


PLRS267ZAB3 FREEZER DOOR

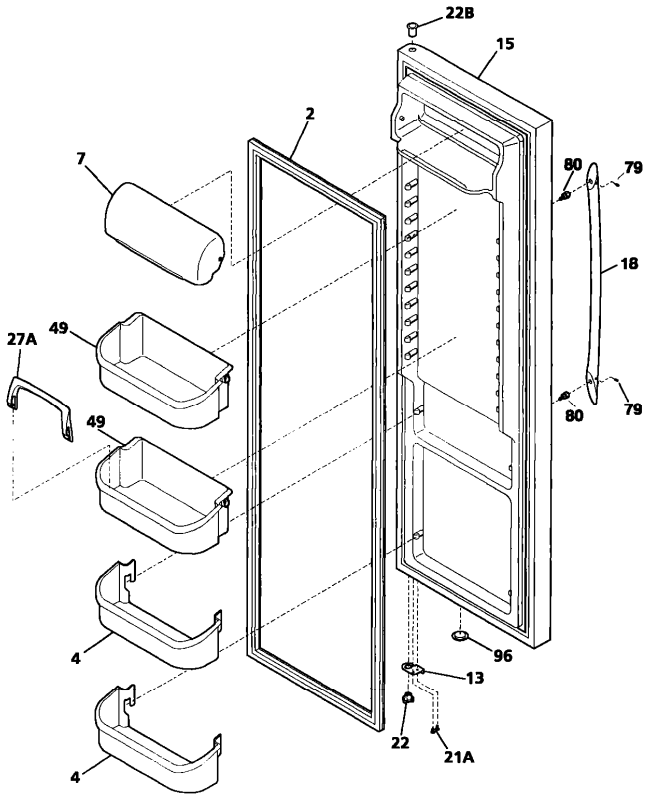




PLRS267ZAB3 FREEZER DOOR

11	241674607	PANEL-FRZR DOOR,STAINLESS STEEL (S/P)
18	240536818	HANDLE-DOOR,STAINLESS STEEL (S/P)
68	240546802	CHUTE-ICE (S/P)
79	218755402	SCREW-SET,10-32 X 0.375 (S/P)
80	218755501	SCREW-SHOULDER,NO.10 AB (S/P)
96	240345506	PLUG,DOOR FOAM HOLE ,BLACK (S/P)
4B	240351602	BIN-DOOR (S/P)
4C	240351702	BIN-DOOR,FRZR-DISPENSER (S/P)
13A	240537106	DOOR STOP,BLACK ,FRZR (S/P)
NI	240470401	CONNECTOR-AMP (S/P)
NI	5303918256	DISPENSER HEATER KIT (S/P)
21A	5308016566	SCREW,HEX WASHER HEAD (S/P)
NI	240323202	HARNES-WIRING,DOOR (S/P)
22A	240328202	BEARING-HINGE,CLOSER
4A	240334202	BIN-DOOR,FRZR-UPPER (S/P)
NI	5304409707	CLEANER,STAINLESS STEEL (S/P)
22C	240328404	BEARING-HINGE,BLACK ,UPPER
NI	240545201	CONNECTOR-WATER,STRAIGHT (S/P)
F1	241786006	GASKET-FRZR DOOR,BLACK ,MAGNETIC (S/P)

PLRS267ZAB3 REFRIGERATOR DOOR





PLRS267ZAB3 REFRIGERATOR DOOR

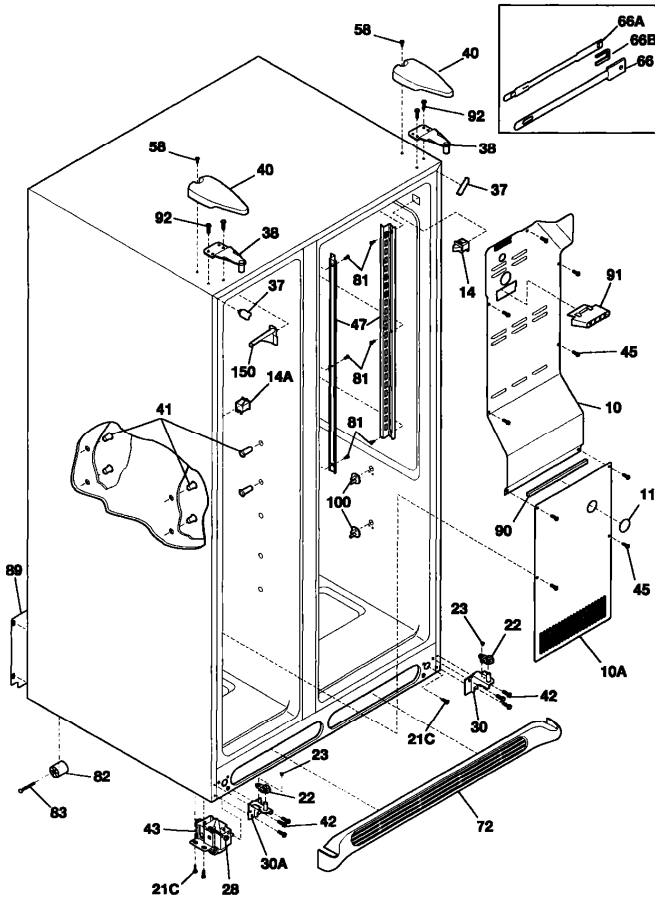
4	240323002	BIN-DOOR,PSEUDO ,BOTTOM
7	240326203	DOOR-DAIRY (S/P)
12	240449704	NAMEPLATE,BLACK (S/P)
13	240537105	DOOR STOP,BLACK ,REF (S/P)
15	240451984	PANEL-REFR DOOR,STAINLESS STEEL (S/P)
18	240536818	HANDLE-DOOR,STAINLESS STEEL (S/P)
22	240328201	BEARING-HINGE,CLOSER (S/P)
49	240356402	BIN-DOOR,GALLON
79	218755402	SCREW-SET,10-32 X 0.375 (S/P)
80	218755501	SCREW-SHOULDER,NO.10 AB (S/P)
96	240345506	PLUG,DOOR FOAM HOLE ,BLACK (S/P)
NI	5304409707	CLEANER,STAINLESS STEEL (S/P)
21A	5308016566	SCREW,HEX WASHER HEAD (S/P)
22B	240328403	BEARING-HINGE,UPPER (S/P)
F2	241786005	GASKET-REFR DOOR,BLACK ,MAGNETIC (S/P)
27A	240396102	RETAINER,TALL BOTTLE (S/P)

Distribuidor Autorizado

SurteRápido.com

Venta de Refacciones
Electrodomesticas

PLRS267ZAB3 CABINET





PLRS267ZAB3 CABINET

10	240435904	COVER-AIR DUCT (S/P)
11	5303208309	PLUG-HOLE,FACTORY TEST (S/P)
22	240457701	PLATE-DOOR CLOSER
23	240402701	SCREW-NO.10-32 X 1/4 FLAT HD (S/P)
28	240335501	BOLT-ROLLER ADJ,HEX WASHER HEAD (S/P)
30	5303918455	BRACKET-LOWER HINGE, REF (S/P)
37	240337603	TRIM-CABINET CORNER,BLACK (S/P)
38	240327207	BRACKET-UPPER HINGE (S/P)
40	240327007	COVER-UPPER HINGE,BLACK (S/P)
41	241550801	GROMMET-SHELF MTG,1.40`` LONG (S/P)
42	240315301	SCREW-HINGE MTG,HEX HEAD ,1/4-20 X 0.75 (S/P)
43	240335006	ROLLER ASSY,FRONT ,(2) (S/P)
45	241500301	SCREW,HEX WASHER HEAD ,8-18AB X 0.500 (S/P)
47	240349401	CHANNEL-SHELF MTG,SIDE ,(2) (S/P)
58	218749600	SCREW,NO.10 PAN HD ,8-18 X .5 (S/P)
66	5304424968	COVER-DAMPER (S/P)
72	240324411	GRILLE/KICKPLATE,BLACK (S/P)
81	5308016566	SCREW,HEX WASHER HEAD ,8-15A X 0.625 (S/P)
82	5304418225	ROLLER,COMPRESSOR BASE ,REAR ,(2) (S/P)
83	5303316859	RIVET,FLAT HEAD ,1/4 OD X 1-3/4 (S/P)
89	241733902	COVER,ACCESS ,SYSTEM COMPT (S/P)
90	218249808	SEAL-COIL COVER (S/P)
91	240380101	DUCT-ICE MAKER (S/P)
92	5303001479	SCREW-HINGE MTG,HEX HD ,1/4-20 X 0.875 (S/P)
100	241993101	SUPPORT,CRISPER COVER ,FRONT ,(4) (S/P)
150	240368701	GUIDE-CONTROL BULB (S/P)
F100	240350802	SUPPORT,CRISPER COVER ,REAR ,(4)
NI	5303321321	PAINT,TOUCH-UP ,BLACK (S/P)
30A	5303918455	BRACKET-LOWER HINGE (S/P)
NI	240479601	PLUG,BUTTON ,CAB LINER HOLES (S/P)
66A	5304424968	DAMPER-MEAT KEEPER (S/P)
F14A	215486600	SWITCH-LIGHT/LAMP (S/P)
66B	5304424968	INSULATION-DAMPER (S/P)

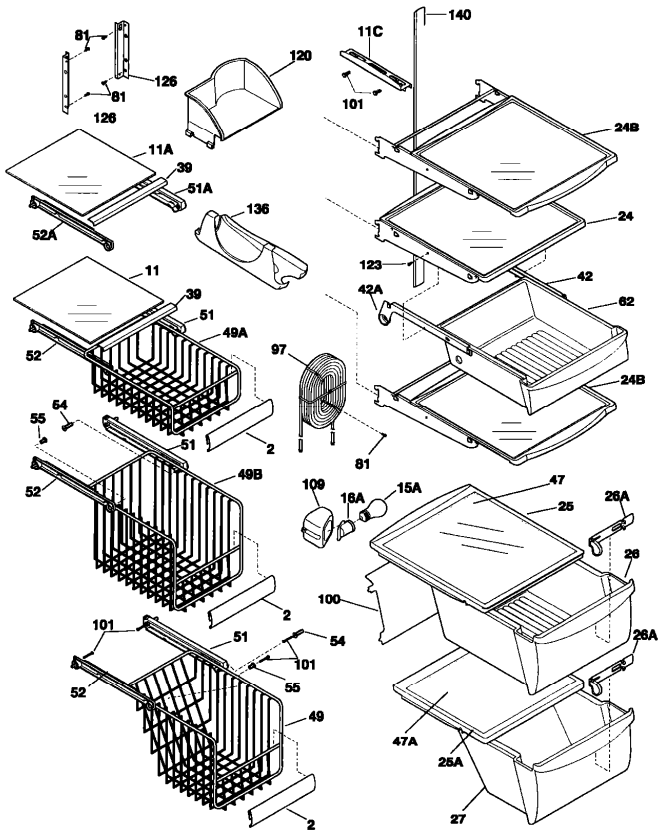
NI	241550701	GROMMET-SHELF MTG,.875`` LONG (S/P)
NI	240396801	CLAMP,TUBE/WIRING ,NYLON , (S/P)
F14	240505801	SWITCH,LIGHT/LAMP ,ROCKER (S/P)
10A	240475907	COVER-EVAP COIL,LOWER (S/P)
NI	240518802	PIN-PUSH,PUSH-IN ,PLASTIC (S/P)
21C	218252200	SCREW,NO.8 TRUSS HD ,10-32CA X 0.500 (S/P)
NI	218515401	CLIP (S/P)

Distribuidor Autorizado

SurteRápido.com

Venta de Refacciones
Electrodomesticas

PLRS267ZAB3 SHELVES



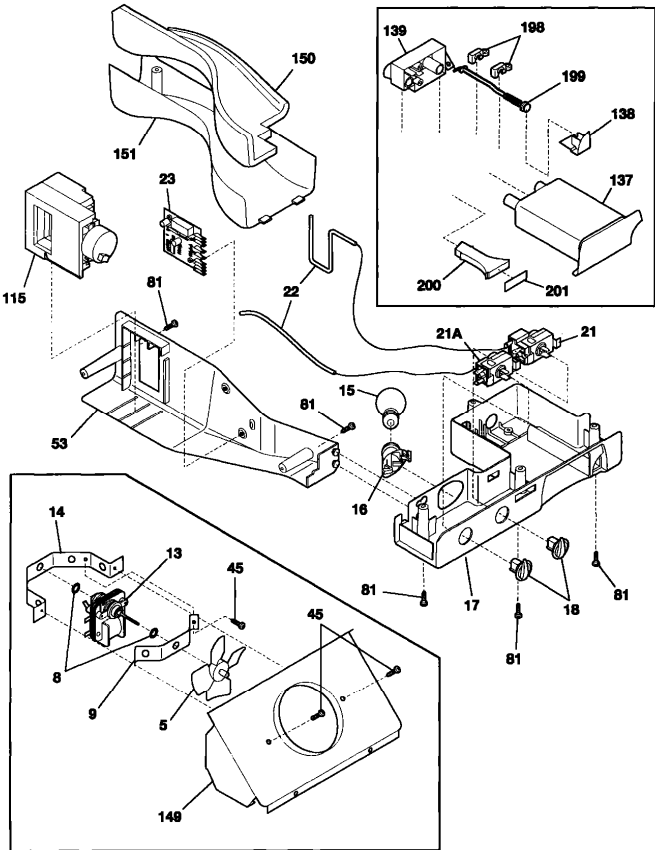


PLRS267ZAB3 SHELVES

2	241510604	TRIM-BASKET (S/P)
11	240350668	SHELF-FREEZER, GLASS ,LOWER (S/P)
24	240355203	SHELF-`SPILL-SAFE`, FIXED (S/P)
25	240350702	COVER-CRISPER PAN, UPPER (S/P)
26	240351005	PAN-CRISPER, UPPER (S/P)
27	240351205	PAN-CRISPER, LOWER (S/P)
39	240367602	TRIM-SHELF, FRONT (S/P)
42	240356501	HANGER-MEAT PAN, RH (S/P)
47	241711236	INSERT-PAN COVER, GLASS (S/P)
49	240530402	BASKET-SLIDING (S/P)
51	240343002	HANGER-BASKET, RH (S/P)
52	240343102	HANGER-BASKET, LH (S/P)
54	240343002	PLUG-HANGER, RIGHT HAND (S/P)
55	240343102	PLUG-HANGER, LEFT HAND (S/P)
62	240342805	PAN-MEAT (S/P)
81	5308016566	SCREW, HEX WASHER HEAD ,8-15A X 0.625 (S/P)
97	240545303	WATER TANK ASSY, COILED TUBING (S/P)
100	240326304	COVER-WATER TANK (S/P)
101	218493100	SCREW, HEX WASHER HEAD ,8-18AB X 1-3/4 (S/P)
109	240351301	BASE-CRISPER LIGHT SOCKET (S/P)
120	240342901	SHELF-ICE CREAM (S/P)
123	215005100	SCREW-ROLLER/HANGER, 8-10 X 0.438 (S/P)
126	241674401	CHANNEL, AUGER MTG , LH (S/P)
126	241674402	CHANNEL, AUGER MTG , RH (S/P)
136	240424502	DISPENSER-CAN, CLEAR (S/P)
140	240430501	CHANNEL, WATER TUBE CVR (S/P)
NI	240349801	CLIP-SLIDE, PAN-CRISPER (S/P)
F42A	240349901	BLOCK-MEAT PAN RAIL, LH (S/P)
47A	240350603	INSERT-PAN COVER, GLASS (S/P)
11A	240350667	SHELF-FREEZER, GLASS , UPPER (S/P)
16A	241513901	SOCKET-LIGHT/LAMP (S/P)
11C	240324101	SHELF-PIZZA (S/P)
NI	240362101	CLIP-SLIDE, COVER-CRISPER (S/P)

51A	240395502	HANGER-BASKET,RH (S/P)
52A	240395602	HANGER-BASKET,LH (S/P)
49A	240530502	BASKET-SLIDING,UPPER ,HALF (S/P)
49B	240530504	BASKET-SLIDING,UPPER ,FULL (S/P)
15A	215812200	LIGHT BULB/LAMP,25W (S/P)
F101	215005000	SCREW,HEX WSHR HD ,8-18AB X 0.750 (S/P)
42A	240349701	HANGER-MEAT PAN,LH (S/P)
F42A	240350001	SPRING-MEAT PAN RAIL (S/P)
24B	240350106	SHELF-``SPILL-SAFE``,CANTILEVER ,SLIDING (S/P)
26A	240362201	CONTROL-HUMIDITY (S/P)
25A	240350903	COVER-CRISPER PAN,LOWER (S/P)

PLRS267ZAB3 CONTROLS





PLRS267ZAB3 CONTROLS

8	5300157666	BUSHING-MOTOR MTG,(2) (S/P)
9	5303292396	BRACKET-MOTOR MTG,FRONT (S/P)
14	5303292397	BRACKET-MOTOR MTG,REAR (S/P)
15	240436702	LIGHT BULB/LAMP,A-15 ,40 W ,120 V (S/P)
16	241513901	SOCKET-LIGHT/LAMP (S/P)
17	240317701	BOX-CONTROL,FRONT (S/P)
18	240360801	KNOB-CONTROL (S/P)
22	218660704	TUBE-INSULATOR (S/P)
23	240554502	CONTROL-DEFROST,ADAPTIVE TIMER ,PC BOARD
45	5303001343	SCREW,HEX WASHER HEAD ,8-15A X 0.500 (S/P)
53	240369501	BOX-CONTROL (S/P)
81	5308016566	SCREW,HEX WASHER HEAD ,8-15A X 0.625 (S/P)
115	5303918283	DAMPER ASSY,W/SEAL (S/P)
137	WF2CB	FILTER,WATER ,FRONT ,CASSETTE
138	240397301	BUTTON-FILTER RELEASE (S/P)
139	240396002	BASE-WATER FILTER
149	5304444980	SHROUD-FAN ORFICE (S/P)
150	240394204	INSULATION-WATER TUBE COVER (S/P)
151	240373806	COVER-WATER TUBE (S/P)
198	240397401	RETAINER (S/P)
199	240397501	ROD (S/P)
200	240397601	LIGHT PIPE (S/P)
201	240398502	LABEL-CONTROL BOX (S/P)
NI	240427201	HEATER-FREEZER CONTROL (S/P)
F137	241944302	BYPASS,WATER FILTER ,OPTIONAL PART (S/P)
NI	215474201	WASHER,``SLINGER`` ,NYLON (S/P)
F5	5308000010	FAN BLADE,RED ,EVAPORATOR FAN (S/P)
21A	5304421768	CONTROL-TEMPERATURE (S/P)
NI	5303916855	TUBE,SENSOR SLEEVE ,PLASTIC ,CLEAR (S/P)
F199	240398401	SPRING-FILTER RELEASE ROD (S/P)
NI	240439901	WIRING HARNESS,CONTROLS (S/P)
F13	5304445861	MOTOR-EVAP FAN
NI	240470401	CONNECTOR-AMP (S/P)

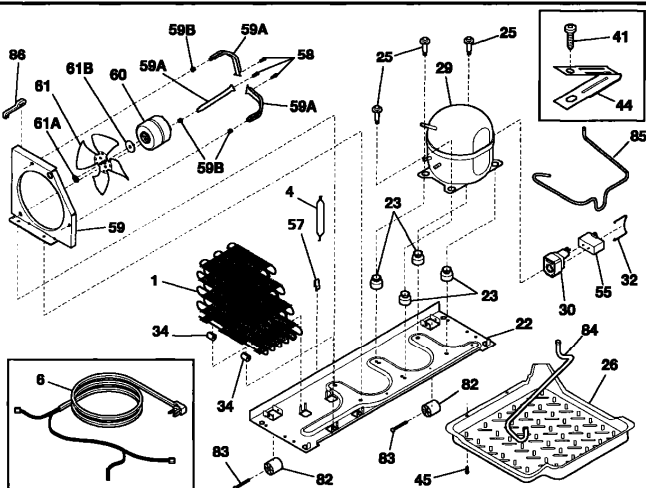
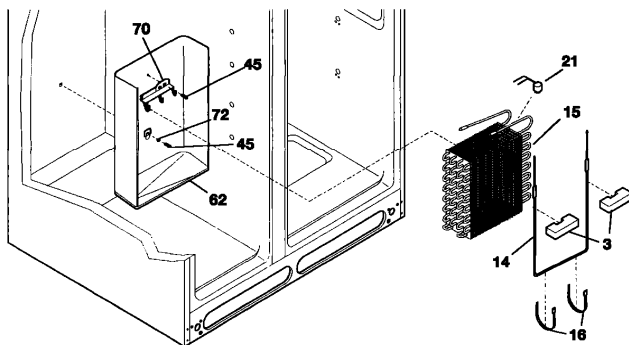
F139	240527001	O-RING,WTR FILTER BASE (S/P)
NI	3205266	EDGE PROTECTOR,WIRING HARNESS (S/P)
NI	5303001259	SCREW-TIMER MTG,PAN HD ,6-20 X 0.438 ,(2) (S/P)
F21	5303918283	CONTROL-TEMPERATURE (S/P)
F115	5303918283	SWITCH-MICRO,SINGLE POLE (S/P)

Distribuidor Autorizado

SurteRápido.com

Venta de Refacciones
Electrodomesticas

PLRS267ZAB3 SYSTEM





PLRS267ZAB3 SYSTEM

1	240333603	CONDENSER (S/P)
3	218679607	BLOCK-EVAP COIL,STYROFOAM ,(2) (S/P)
6	240346402	HARNESS-WIRING,MACHINE COMPT (S/P)
16	5308000110	STRAP-EVAP/HEATER,ALUMINUM ,(2) (S/P)
21	5303918214	THERMOSTAT-DEFROST,KIT
22	240330008	BASE-COMPRESSOR (S/P)
23	218513300	GROMMET-COMPR MTG,(4) (S/P)
25	240491501	SCREW-COMPRESSOR MTG,HEX (S/P)
26	241637401	PAN-DEFROST DRAIN (S/P)
32	218973501	CLAMP,ELEC CONT MTG ,COMPRESSOR (S/P)
34	240405201	GROMMET,RUBBER ,BLACK ,COND TUBE/WIRE (S/P)
41	218897001	SCREW,HEX WASHER HEAD ,8-32 X 1/4 (S/P)
44	5303001199	CLAMP-WIRING HARNESS,STRAIN RELIEF (S/P)
45	5308016566	SCREW,HEX WASHER HEAD ,8-15A X 0.625 (S/P)
57	240542601	CLIP-WIRING HARNESS (S/P)
58	215004600	SCREW,HX SERR WSHR HD ,8-36 X 7/16 (S/P)
59	240315501	SHROUD-COND FAN (S/P)
62	240429402	TROUGH-DRAIN (S/P)
70	218990801	BRACKET-EVAP/CVR MTG (S/P)
72	218397000	BUTTON-HANDLE MTG,DOVETAIL (S/P)
82	5304418225	ROLLER,COMPRESSOR BASE ,REAR ,(2) (S/P)
83	5303316859	RIVET,FLAT HEAD ,1/4 OD X 1-3/4 ,ROLLER PIN (S/P)
84	241957901	TUBE-DRAIN,LOWER (S/P)
85	241844801	TUBE-CONNECTOR,SUCTION (S/P)
86	240409302	SPACER-COND TUBE,BLACK (S/P)
NI	240346701	TAPE-FOAM SEAL,SHROUD (S/P)
NI	240315901	HARNESS-WIRING (S/P)
59A	240346501	BRACKET-SUPPORT,COND MTR ,(3) (S/P)
NI	5308000039	SCREW,HEX WASHER HEAD (S/P)
F60	5304479002	MOTOR,CONDENSER FAN (S/P)
59B	240346601	GROMMET-BRACKET,(3) (S/P)
NI	240359401	SCREW-FAN SHROUD,(2) (S/P)
F55	218909913	CAPACITOR-RUN,220 VAC ,15 MICROFARAD

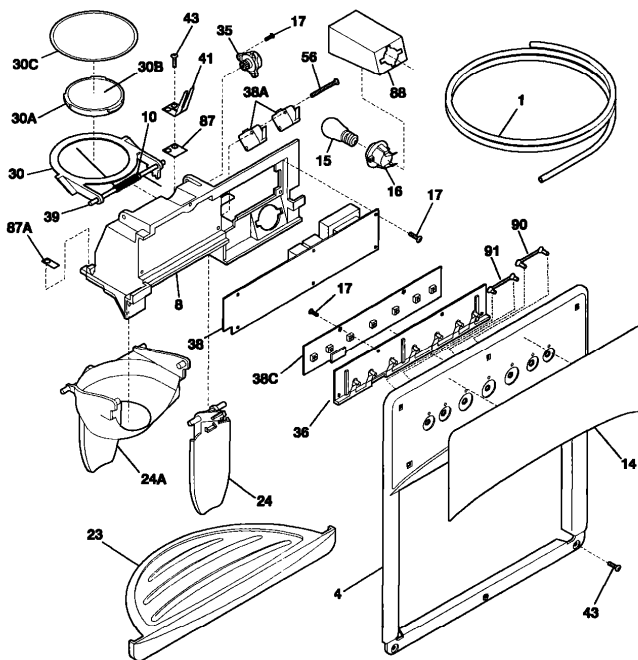
NI	240439901	WIRING HARNESS,CONTROLS (S/P)
61A	215004700	NUT,SPEED (S/P)
F30	5304468029	STARTER-PTC (S/P)
F61	240315401	FAN BLADE,GALV STEEL ,CONDENSER FAN (S/P)
F15	5303918284	EVAPORATOR KIT (S/P)
FNI	5303918222	HOT TUBE REPAIR KIT,SERVICE (S/P)
F14	5303918253	DEFROST HEATER KIT
61B	215004800	GROMMET-SILENCER (S/P)
FNI	5303918328	HEAT EXCHANGER KIT,SUCTION LINE (S/P)
F4	5303305677	DRIER-FILTER,R134A SYSTEM (S/P)
F29	5303918254	COMPRESSOR,W/ELECTRICALS

Distribuidor Autorizado

SurteRápido.com

Venta de Refacciones
Electrodomesticas

PLRS267ZAB3 DISPENSER





PLRS267ZAB3 DISPENSER

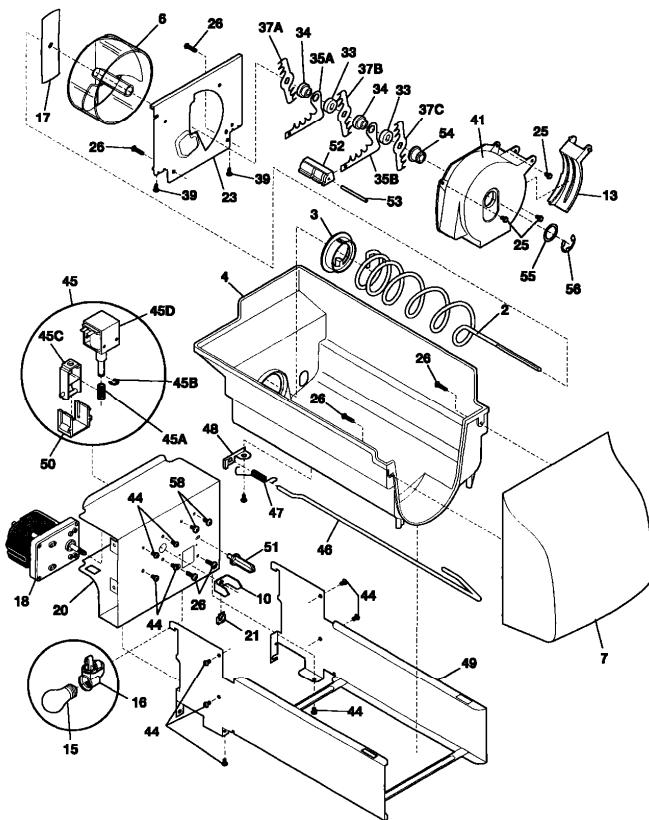
1	218976405	TUBE-WATER INLET (S/P)
4	241678703	COVER-MODULE, BLACK (S/P)
8	241680507	MODULE-DISPENSER (S/P)
10	241688901	SPRING-TORSION (S/P)
14	240323927	LABEL-MODULE COVER, BLACK (S/P)
15	5304421616	LIGHT BULB/LAMP (S/P)
16	215284900	SOCKET-LIGHT/LAMP (S/P)
17	5304421619	SCREW (S/P)
23	241649003	DRIP TRAY, BLACK (S/P)
24	241681803	ACTUATOR-WATER, BLACK (S/P)
30	241688401	DOOR ASSY-ICE CHUTE (S/P)
35	241689301	DAMPER-ROTARY (S/P)
36	241680301	CARRIER (S/P)
38	5304422632	PC BOARD, POWER (S/P)
39	241688801	PIN-HINGE (S/P)
41	241689001	SPRING-ACTUATOR (S/P)
43	215296300	SCREW, PLASK H/L ,NO.6 X 3/8 (S/P)
56	5304421830	SCREW-MICRO SWITCH, PAN HEAD (S/P)
87	241688302	BEARING PLATE (S/P)
88	241686101	SHIELD-LIGHT (S/P)
90	241680201	LIGHT PIPE, REFLECTOR (S/P)
91	241680101	LIGHT PIPE, REFLECTOR ,SHORT (S/P)
30C	241688701	DOOR SEAL (S/P)
38C	241700109	PC BOARD, CONTROL (S/P)
NI	218976901	TUBE-WATER INLET, INLET VALVE (S/P)
NI	218976903	TUBE-WATER INLET, INLET VALVE (S/P)
NI	218976907	TUBE-WATER INLET, VALVE TO DOOR (S/P)
NI	5303918256	DISPENSER HEATER KIT (S/P)
30A	241688501	DOOR CENTER (S/P)
87A	241688301	BEARING PLATE (S/P)
30B	241688601	INSULATION-DOOR (S/P)
F38A	241689101	SWITCH-MICRO, SINGLE POLE (S/P)
24A	241681703	ACTUATOR-ICE, BLACK (S/P)

Distribuidor Autorizado

SurteRápido.com

Venta de Refacciones
Electrodomesticas

PLRS267ZAB3 ICE CONTAINER





PLRS267ZAB3 ICE CONTAINER

2	241716101	AUGER-ICE (S/P)
3	241685201	CAM-DRIVE (S/P)
4	218815300	CONTAINER-ICE,BUCKET ONLY (S/P)
6	5304404346	DRUM-ICE DISP
7	5304422805	FRONT-ICE CONTAINER (S/P)
10	241726501	BAR-DRIVE (S/P)
13	241885001	GATE (S/P)
15	5303013071	LIGHT BULB/LAMP,40 W (S/P)
16	241559801	SOCKET-LIGHT/LAMP (S/P)
17	241684501	DRIVE BLADE (S/P)
20	241675502	COVER-MOTOR (S/P)
21	215285100	NUT-DRIVE (S/P)
23	241684001	PLATE-FRONT (S/P)
25	5304404362	SCREW,HEX WASHER HEAD ,8-32T X 0.375 (S/P)
26	215503200	SCREW,CR PAN HD ,10-16 X 0.500 (S/P)
33	241684801	SPACER (S/P)
34	241689801	SPACER (S/P)
39	5304404365	SCREW (S/P)
41	241885001	HOUSING-CRUSHER (S/P)
44	218359200	SCREW,PAN HEAD ,8-32 X 0.250 DESCONTINUADO
46	5304404341	CONTROL ROD DESCONTINUADO
47	5304404342	SPRING-CONTROL ROD (S/P)
48	5304404340	BRACKET-CONTROL ROD (S/P)
49	5304404329	RAIL ASSY DESCONTINUADO
50	241675601	GUIDE-SOLENOID (S/P)
51	241676301	ROTATION STOP (S/P)
52	241684901	SPACER-FIXED BLADES (S/P)
53	241690402	PIN-SPIRAL,FIXED BLADES (S/P)
54	241685001	NUT-AUGER (S/P)
55	241690306	WASHER (S/P)
56	241690201	E-RING DESCONTINUADO
58	5304404331	SCREW-SOLENOID (S/P)
NI	5304404335	WIRING HARNESS,AUGER MOTOR (S/P)

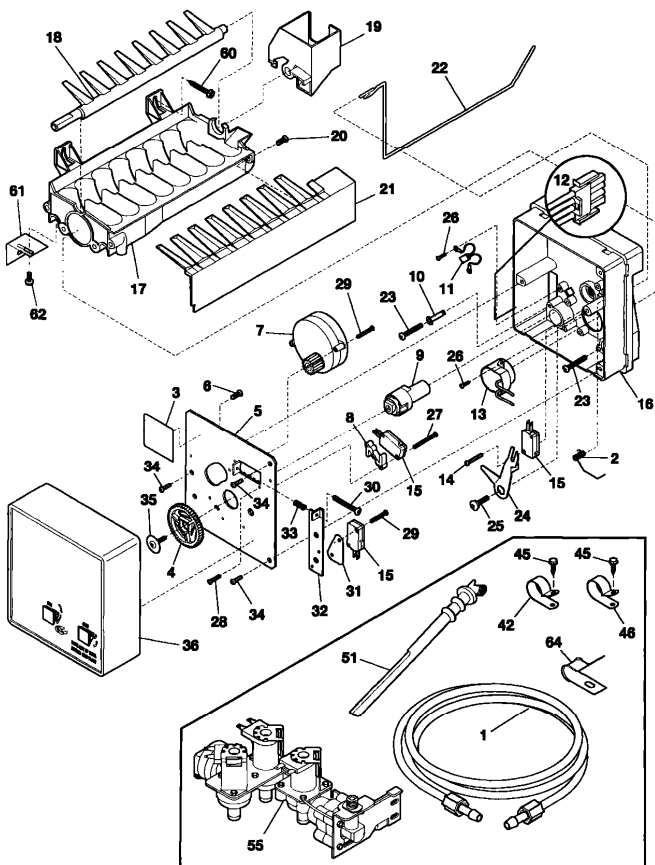
NI	5304404364	SCREW-BRACKET (S/P)
45B	5304406827	E-RING-SOLENOID (S/P)
45D	241675801	SOLENOID (S/P)
NI	5308002748	SCREW,HEX WSHR HD ,8-15A X 0.500 (S/P)
NI	241860801	ICE CONTAINER ASSY,W/MOVING PARTS (S/P)
F18	5304462594	MOTOR-AUGER (S/P)
37B	241684102	BLADE,CRUSHER NO.2 (S/P)
35A	241684301	FIXED BLADE,ROUND (S/P)
35B	241684201	FIXED BLADE,SQUARE (S/P)
45A	241675901	SPRING-SOLENOID (S/P)
45C	241676101	ACTUATOR-SOLENOID (S/P)
37A	5304404348	BLADE,CRUSHER NO.1 (S/P)
F45	241675701	SOLENOID ASSY (S/P)
37C	241684103	BLADE,CRUSHER NO.3 (S/P)

Distribuidor Autorizado

SurteRápido.com

Venta de Refacciones
Electrodomesticas

PLRS267ZAB3 ICE MAKER





PLRS267ZAB3 ICE MAKER

1	218976405	TUBE-WATER INLET (S/P)
2	5304420650	SPRING,SHUT-OFF ARM (S/P)
3	3206299	LABEL,ID PLATE (S/P)
4	5304456658	GEAR (S/P)
5	3206303	PLATE-MOUNTING (S/P)
6	3206305	SCREW-GROUND WIRE,8-32 X 0.250 (S/P)
8	5304456661	SPACER-HOLD SWITCH (S/P)
9	3206313	CAM (S/P)
10	3206315	CLAMP (S/P)
14	5304420652	SCREW,4 X 0.750 ,SWITCH MTG. (S/P)
16	5304420653	SUPPORT,PHENOLIC DESCONTINUADO
18	5304456670	EJECTOR-ICE (S/P)
19	3206330	BEARING & INLET (S/P)
20	5304408581	SCREW,8-32 X 0.375 (S/P)
21	3206332	ICE STRIPPER (S/P)
22	5304456673	SHUT-OFF ARM (S/P)
23	5304408582	SCREW,8-32 X 0.875 ,MOLD-TO-SUPPORT ,(3) (S/P)
24	5304456675	LEVER ARM (S/P)
25	3206336	SCREW,8-18 X 0.562 ,LEVER ARM/SPRT (S/P)
26	5304420654	SCREW-THERMO DESCONTINUADO
27	3206338	SCREW,4-40 X 1.000 ,HOLD SWITCH MTG ,(2) (S/P)
28	3206339	SCREW-TIMING STOP,4-40 X 0.375 (S/P)
29	3206323	SCREW,4-24 X 0.750 ,(6) (S/P)
30	3206341	SCREW-TIMING ADJ,8-32 X 1.000 (S/P)
31	5304456680	INSULATOR (S/P)
32	3206343	PLATE-VALVE SWITCH (S/P)
33	5304456682	SPRING-TIMING ADJ (S/P)
34	5304420655	SCREW,PLAZSCREW ,8-10 ,(3) (S/P)
35	5304408585	SCREW (S/P)
36	5304456685	COVER-ICE MAKER (S/P)
42	218515402	CLIP,(2) ,TUBE MTG. (S/P)
45	5303001343	SCREW,HEX WASHER HEAD ,8-15A X 0.500 (S/P)
46	5303001193	CLAMP, .50 ID ,STEEL ,WATER TUBE (S/P)

51	241796401	TUBE-WATER,ICE MOLD FILL ,EXTENSION (S/P)
60	5303207328	SCREW,HEX WASHER HEAD ,8-15A X 1.000 ,(2) (S/P)
61	218721500	BRACKET-LEVELING,ICE MAKER (S/P)
62	218737900	SCREW-IM BRKT MTG,HEX WASHER HEAD (S/P)
64	5304455846	CLAMP,0.31 ID ,STEEL ,COPPER WTR LINE (S/P)
FNI	241734301	VALVE-WATER (SERVICE),DUAL SOLENOID ,115 V
F7	3206306	MOTOR-ICE MAKER (S/P)
NI	5303001199	CLAMP-WIRING HARNESS,STRAIN RELIEF (S/P)
NI	240542901	CAP-WATER VALVE (S/P)
NI	218888001	ADAPTER-WATER SUPPLY, (S/P)
NI	218976901	TUBE-WATER INLET,INLET VALVE , (S/P)
NI	218976903	TUBE-WATER INLET,INLET VALVE , (S/P)
NI	5303918277	ICE MAKER,RADIUS CUBE ,115 V ,NO INSTL PARTS
F12	240352601	WIRING HARNESS,ICE MAKER ,INTERNAL , (S/P)
FNI	241734301	VALVE-WATER (SERVICE),SINGLE SOLENOID
F11	3206319	THERMAL CUTOFF,ICE MAKER , (S/P)
F13	3206322	THERMOSTAT ASSY,ICE MAKER (S/P)
NI	218976907	TUBE-WATER INLET,VALVE TO DOOR (S/P)
F55	241734301	VALVE-WATER,TRIPLE SOLENOID
NI	240363601	SCREW-SHOULDER (S/P)
F17	5303320545	MOLD-ICE MAKER,RADIUS CUBE , (S/P)
F15	5304456667	SWITCH,(3) (S/P)