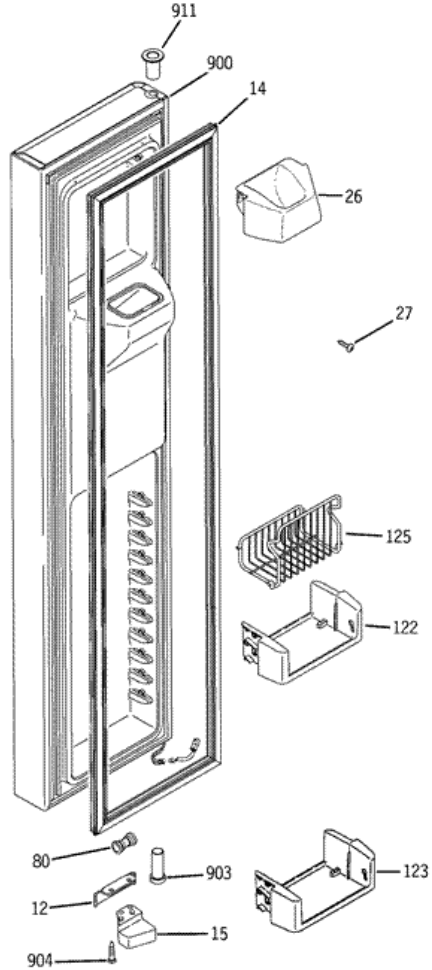
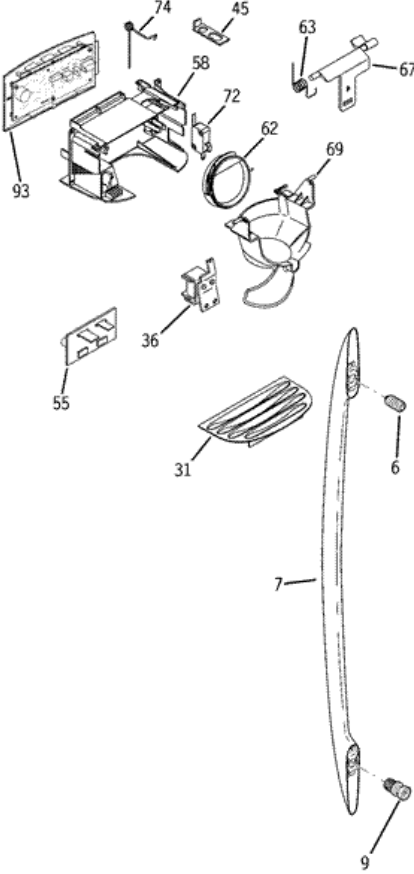


PSC25PSTASS FREEZER DOOR





PSC25PSTASS FREEZER DOOR

6	WR1X10450	SET SCREW (S/P)
7	WR12X10698	HANDLE ASM HYDROFORM (S/P)
9	WR2X12028	FASTENER HANDLE SS (S/P)
12	WR2X13425	STOP DOOR BK (S/P)
14	WR24X10170	GASKET DOOR FZ (S/P)
15	WR2X10780	CAM CLOSURE FZ BK (S/P)
26	WR71X10633	GUIDE ICE (S/P)
27	WR1X10387	SCR 8-18 AB OVP 7/8 SS (S/P)
31	WR17X12133	GRILL RECESS SS (S/P)
36	WR62X10055	SOLENOID ASM
45	WR2X8818	RETAINER RECESS DOOR (S/P)
55	WR55X10899	BOARD ASM DISP LIGHTING (S/P)
58	WR17X12132	HOUSING SHIELD DISP (S/P)
62	WR17X11653	DOOR RECESS ASM (S/P)
63	WR2X10585	SPRING RECESS DOOR (S/P)
67	WR17X10706	CRANK DOOR RECESS (S/P)
69	WR17X12120	FUNNEL ICE DISP (S/P)
72	WR23X10224	SWITCH (S/P)
74	WR2X12256	SPRING TORSION (S/P)
80	WR2X11330	UNION CONNECTOR (S/P)
93	WR55X10634	INTERFACE DISPENSER ASM (S/P)
122	WR71X10256	MODULE SUPPORT FZ (S/P)
123	WR71X10629	MODULE SHELF FZ FIXED (S/P)
125	WR21X10110	BASKET WIRE TILTOUT FZ (S/P)
900	WR78X11679	DOOR FOAM ASM FZ FLAT (S/P)
903	WR1X10234	THIMBLE DOOR BTM FZ BK (S/P)
904	WR1X10611	SCR 10-16 (S/P)
911	WR1X10233	THIMBLE DOOR TOP BK (S/P)



PSC25PSTASS SEALED SYSTEM

225	WR2X11426	TUBE DRAIN (S/P)
226	WR2X11848	TUBE DRAIN (S/P)
257	WR2X10663	STAND OFF (S/P)
270	WR17X11168	GROMMET AND TUBE ASM (S/P)
312	WR2X12000	MOBILITY ASSY BACK-BIS (S/P)
602	WR1X10617	SCR 1/4-14 AB IHW 3/4 S (S/P)
614	WR2X10540	BUMPER LID (S/P)
616	WR82X10109	COVER ACCESS (S/P)
618	WR2X11331	GROMMET EVAP FAN (S/P)
625	WR1X5278	CLAMP CABLE (S/P)
626	WR23X10484	HARNESS CAB LOWER (S/P)
628	WR17X12713	SHROUD CONDENSER (S/P)
650	WR60X10209	MOTOR DC COND FAN (S/P)
651	WR60X10206	BLADE CONF FAN ASM (S/P)
652	WR2X12149	RING COMPRESSION (S/P)
683	WR2X11027	WIRE TIE (S/P)
686	WR1X10252	SCR 10-32 TT HXW 5/16 S (S/P)
690	WR1X1466	SCR 8-32 T HXW 3/8 S (S/P)
691	WR2X11742	BRACKET COND FAN (S/P)
725	WR87X10111	INVERTER COMPRESSOR EMB (S/P)
730	WR84X10022	CONDENSER ASM (S/P)
736	WR2X8203	CLIP COMPRESSOR MOUNT (S/P)
737	WR2X10099	GROMMET (S/P)
740	WR86X10030	DRYER BIFURCATED HX9 (S/P)
741	WR1X1779	STUD MTG COMPR (S/P)
749	WR17X11978	BAFFLE COND AIR (S/P)
750	WR1X1786	SCREW 10-32 TR 1/2 (S/P)
753	WR2X11863	BRKT COND FAN (MTG) (S/P)
757	WR1X10622	SCR 10-32 B IHXW 1/2 (S/P)
762	WR14X10053	FOAM STRIP SE ADH (S/P)
764	WR2X9000	CLIP, COND MNT (S/P)
765	WR17X10763	BRACKET CONDENSER BAR (S/P)
775	WR17X10796	COVER WATER LINE (S/P)

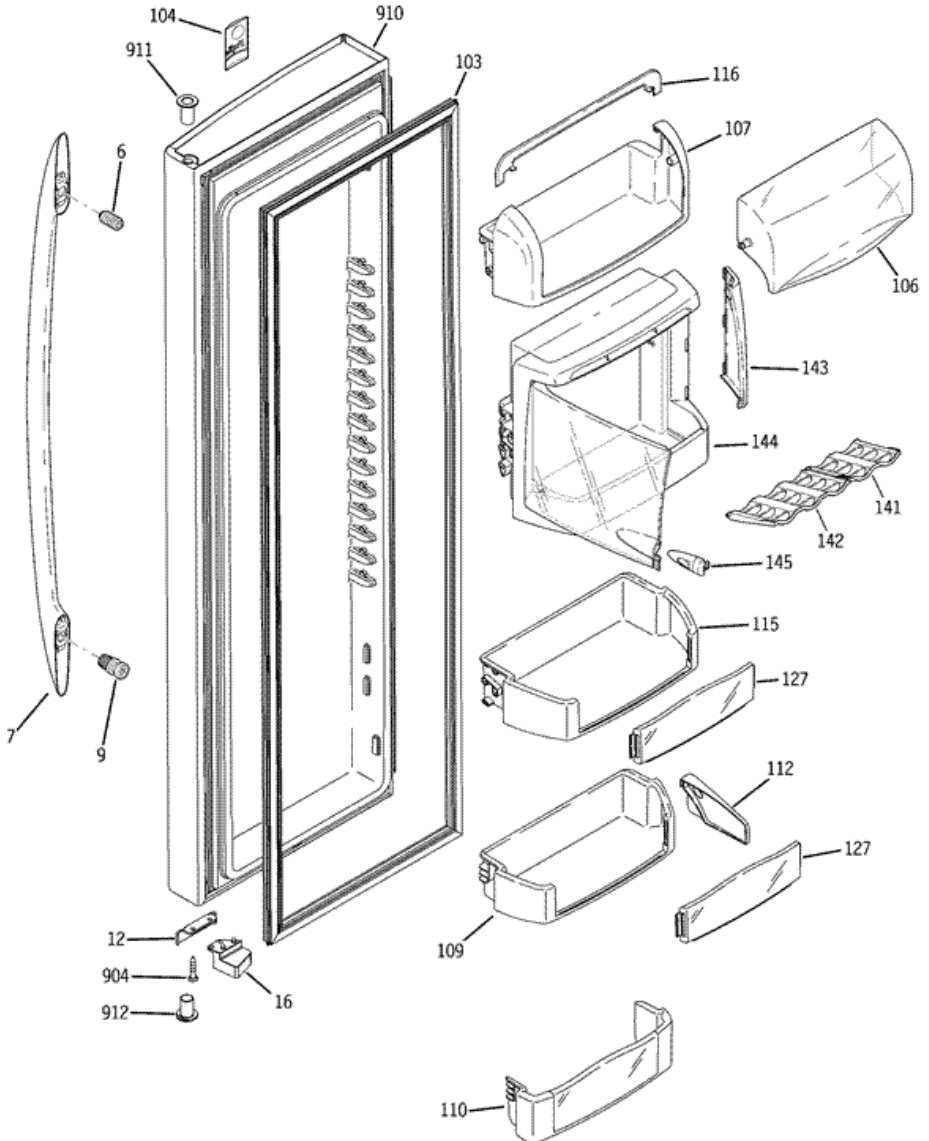
800	WR57X10032	WATER VALVE (S/P)
801	WR49X10152	KIT MAIN BOARD SERVICE
802	WR23X10508	HARNESS BOARD INDIV (S/P)
803	WR02X12025	MAIN BOARD ENCLOSURE ASM (S/P)
805	WR02X12265	CLAMP TUBE (S/P)
806	WR17X11625	TUBE PLASTIC (S/P)
870	WR23X10381	HARNESS INVERTER COMM (S/P)
871	WR55X10490	INVERTER ASM COMP MOUNT (S/P)
950	WR57X10067	FLOW METER (S/P)
960	WR17X12150	GROMMET DRAIN TUBE ASM (S/P)

Distribuidor Autorizado

SurteRápido.com

Venta de Refacciones
Electrodomesticas

PSC25PSTASS FRESH FOOD DOOR





PSC25PSTASS FRESH FOOD DOOR

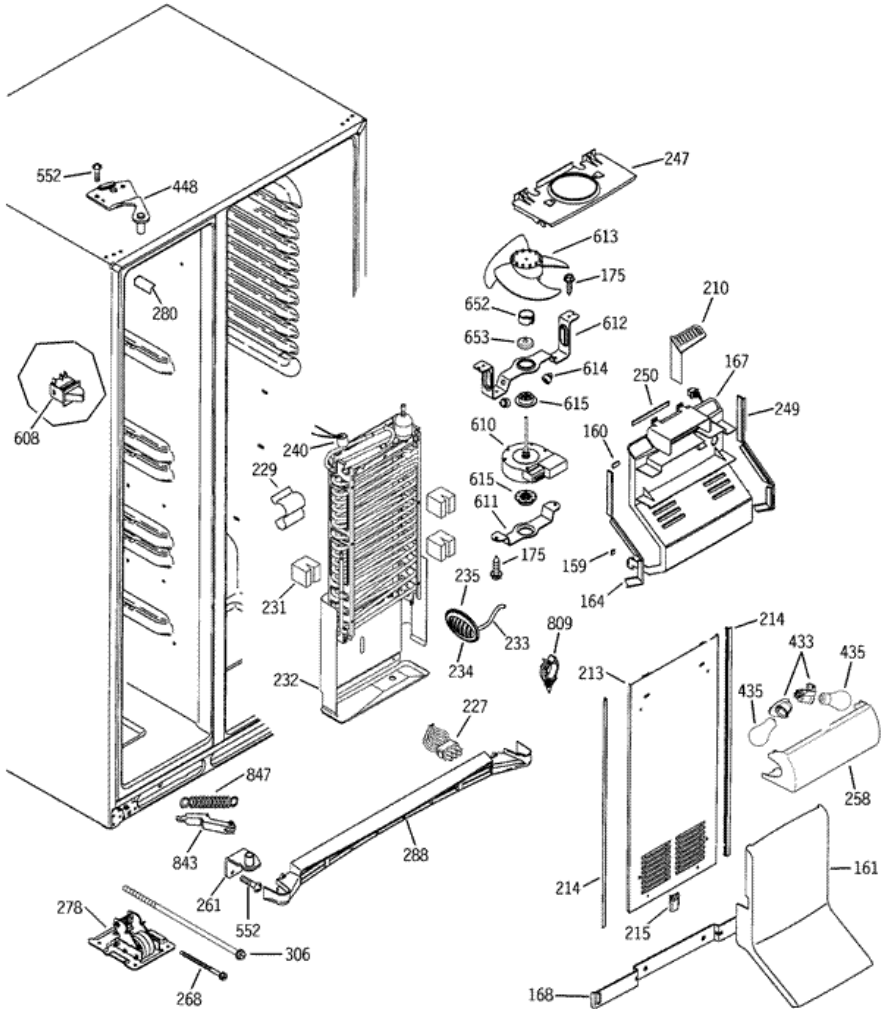
6	WR1X10450	SET SCREW (S/P)
7	WR12X10698	HANDLE ASM HYDROFORM (S/P)
9	WR2X12028	FASTENER HANDLE SS (S/P)
12	WR2X13425	STOP DOOR BK (S/P)
16	WR2X10779	CAM CLOSURE FF BK (S/P)
103	WR24X10169	GASKET DOOR FF (S/P)
104	WR4X10129	LENS NAMEPLATE (S/P)
106	WR22X10042	DOOR DAIRY CLEAR (S/P)
107	WR22X10054	COMPARTMENT DAIRY (S/P)
109	WR71X10631	MODULE SHELF FF (S/P)
110	WR71X10630	MODULE SHELF FF FIXED (S/P)
112	WR2X10582	SNUGGER MODULE (S/P)
115	WR71X10632	MODULE SHELF FF (S/P)
116	WR22X10043	TRIM DAIRY COMPARTMENT (S/P)
127	WR71X10764	MODULE SHELF INSERT (S/P)
141	WR32X10519	SHELF RH BVR CTR (S/P)
142	WR32X10520	SHELF LH BVR CTR (S/P)
143	WR32X10521	PANEL SIDE BVR CTR (S/P)
144	WR17X12144	BEVERAGE CENTER ASM (S/P)
904	WR1X10611	SCR 10-16 (S/P)
910	WR78X11578	DOOR FOAM ASM FF FLAT (S/P)
911	WR1X10233	THIMBLE DOOR TOP BK (S/P)
912	WR1X10232	THIMBLE DOOR BTM BK (S/P)

Distribuidor Autorizado

SurteRápido.com

Venta de Refacciones
Electrodomesticas

PSC25PSTASS FREEZER SECTION



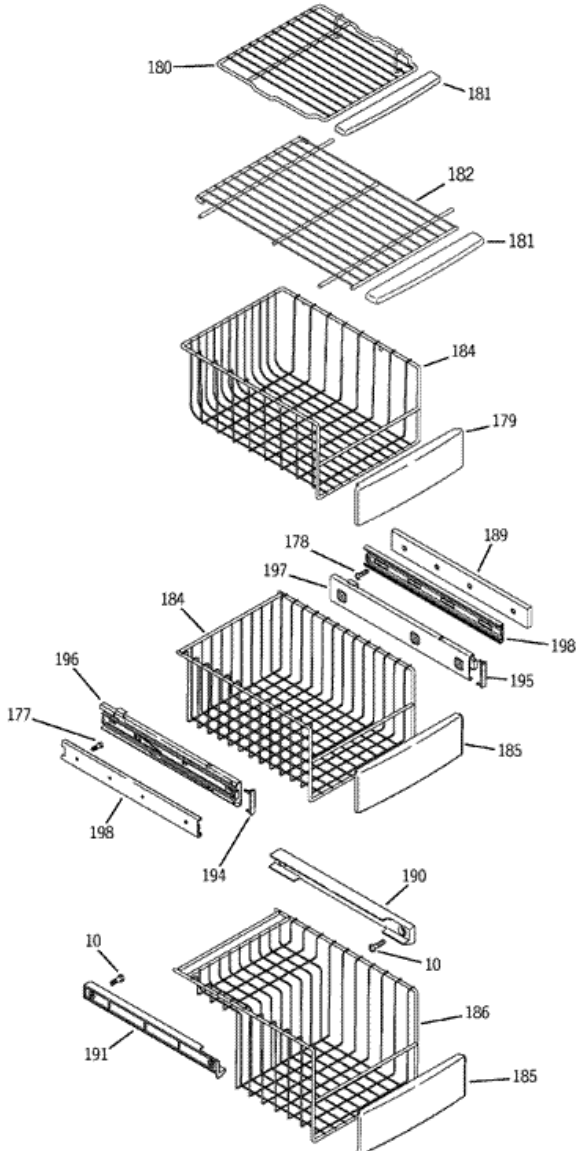


PSC25PSTASS FREEZER SECTION

159	WR14X10067	FOAM STRIP SE ADH (S/P)
160	WR14X10068	FOAM STRIP SE ADH (S/P)
161	WR17X11257	DUCT EXTENSION FZ ASM (S/P)
164	WR14X10194	GASKET PLENUM (S/P)
167	WR17X11895	PLENUM FAN EVAPORATOR (S/P)
168	WR2X10674	BRACKET FZ TOWER LOWER (S/P)
175	WR1X10035	SCR 8-18 AB IHW 5/8 S (S/P)
210	WR74X10131	GUARD WIRING DESCONTINUADO
213	WR17X11666	COVER EVAPORATOR FRONT (S/P)
214	WR14X10193	GASKET EVAP COVER (S/P)
215	WR1X10211	BRACKET FZ TOWER UPPER (S/P)
227	WR23X10420	HARNESS AC FZ INTERMEDIA (S/P)
229	WR2X10552	CLIP EVAP THERMISTOR (S/P)
231	WR2X10669	BLOCK EVAP SEAL (S/P)
232	WR17X10811	SHIELD ASM TROUGH (S/P)
233	WR55X10025	SENSOR TEMP FZ
234	WR2X10647	GRILLE SENSOR (S/P)
235	WR2X10668	SHUNT SENSOR (S/P)
240	WR50X10054	DEFROST THERMOSTAT (S/P)
247	WR17X10812	ORIFICE FAN ASM (S/P)
249	WR14X10195	GASKET PLENUM (S/P)
250	WR14X10069	FOAM STRIP SE ADH (S/P)
258	WR17X11480	SHIELD LIGHT FZ (S/P)
261	WR13X10160	HINGE BTM & PIN ASM BK (S/P)
268	WR1X10609	SCREW MOBILITY (S/P)
278	WR2X12274	MOBILITY FRONT ASM (S/P)
280	WR2X10781	CAP CORNER OC BK (S/P)
288	WR74X10270	GRILLE BASE (S/P)
306	WR2X12271	SCREW MOBILITY (S/P)
433	WR2X9391	SOCKET & TERMINAL ASM
435	40 ^a 15	LAMP 40 W (S/P)
448	WR13X10363	HINGE TOP & PIN ASM FZ (S/P)
552	WR1X10631	SCR 12-24 TT OVT .900 S (S/P)

608	WR23X10179	SWITCH LIGHT (S/P)
610	WR60X10307	MOTOR DC EVAP FAN ASM (S/P)
611	WR2X10764	BRACKET EVAP FAN BTM (S/P)
612	WR2X10653	BRACKET ORIFICE FAN (S/P)
613	WR60X10208	BLADE EVAP FAN ASM (S/P)
614	WR2X10540	BUMPER LID (S/P)
615	WR2X12008	GROMMET EVAP FAN (S/P)
652	WR2X12149	RING COMPRESSION (S/P)
653	WR2X10322	CAP DUST (S/P)
809	WR1X1936	FASTENER WATER TUBE (S/P)
843	WR11X10010	LEVER ASM FZ SIDE BK (S/P)
847	WR1X2027	SPRING CLOSURE (S/P)

PSC25PSTASS FREEZER SHELVES





PSC25PSTASS FREEZER SHELVES

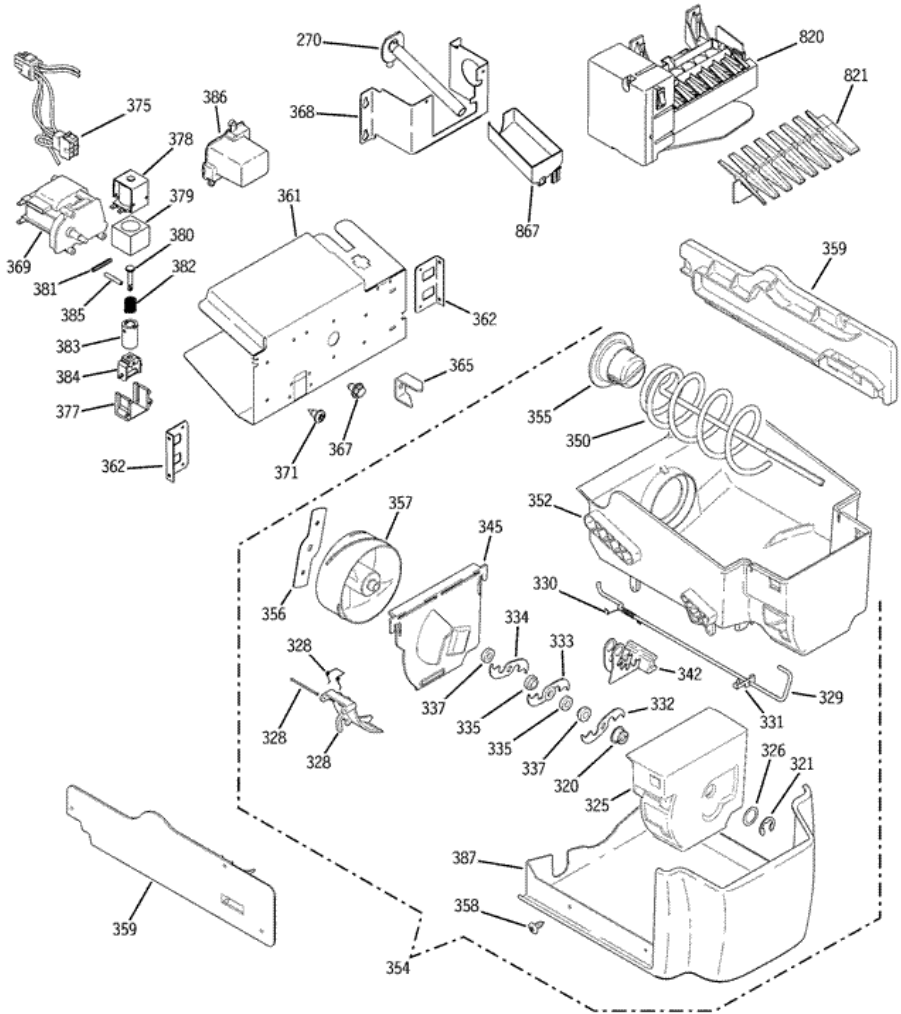
10	WR1X10065	SCR 8-18 BA POR 5/8 SS (S/P)
177	WR1X10613	SCR 8-18 AB PNT20 7/16 S (S/P)
178	WR1X10614	SCR 8-18 AB PNT20 13/16 (S/P)
179	WR12X10624	HANDLE (S/P)
180	WR71X10527	SHELF FIXED FZ (S/P)
181	WR38X10214	TRIM SHELF FZ (S/P)
182	WR71X10634	SHELF ADJUSTABLE FZ (S/P)
184	WR21X10156	BASKET FZ LONG (S/P)
185	WR12X10625	HANDLE (S/P)
186	WR21X10041	BASKET WIRE FZ (S/P)
189	WR17X10945	SPACER (S/P)
190	WR72X10066	SUPPORT SLIDE BASKET RH (S/P)
191	WR72X10067	SUPPORT SLIDE BASKET LH (S/P)
194	WR2X10810	COVER L.H. (S/P)
195	WR2X10811	COVER R.H. (S/P)
196	WR72X10068	SLIDE & BRACKET ASM LH (S/P)
197	WR72X10069	SLIDE & BRACKET ASM RH (S/P)
198	WR72X10070	SLIDE LINER (S/P)

Distribuidor Autorizado

SurteRápido.com

Venta de Refacciones
Electrodomesticas

PSC25PSTASS ICE MAKER & DISPENSER





PSC25PSTASS ICE MAKER & DISPENSER

270	WR17X11168	GROMMET AND TUBE ASM (S/P)
320	WR1X10315	NUT AUGER FRT DISP (S/P)
321	WR1X1367	RETAINER RING E (S/P)
325	WR17X11505	HOUSING CRUSHER DISP (S/P)
326	WR1X1366	WASHER (S/P)
328	WR2X4143	PIN DEFLECTOR DISP (S/P)
328	WR2X4561	SPRING ICE DEFLECTOR (S/P)
328	WR17X10703	DEFLECTOR ICE DISP (S/P)
329	WR17X11486	WIRE ACTUATOR DISP (S/P)
330	WR2X11768	SPRING DEFLECTOR (S/P)
331	WR2X10580	RETAINER SPRING (S/P)
332	WR17X1361	BLADES MOVING DISP (S/P)
333	WR17X1362	BLADES MOVING DISP (S/P)
334	WR17X1363	BLADES MOVING DISP (S/P)
335	WR2X4139	SPACER CRUSHER MIDDLE (S/P)
337	WR2X4138	SPACER CRUSHER STATIONAR (S/P)
342	WR2X10691	STATIONARY BLADES ASM (S/P)
345	WR17X11453	COVER CRUSHER (S/P)
350	WR17X11479	AUGER HELIX DISP (S/P)
352	WR30X10046	BUCKET ICE DISP (S/P)
354	WR17X12079	BUCKET AND AUGER ASM (S/P)
355	WR17X11459	CUP DRIVE (S/P)
356	WR17X11458	PLATE HELIX LOCK (S/P)
357	WR17X11457	HELIX (S/P)
358	WR1X10607	SCR 8-18 AB PHR 1/2 S (S/P)
359	WR2X10139	GLIDE BUCKET LH (S/P)
359	WR2X10138	GLIDE BUCKET RH (S/P)
361	WR17X11460	COVER MTR & SOLENOID (S/P)
362	WR2X12213	BRACKET ANGLE (S/P)
365	WR2X11534	DRIVE AUGER DISP (S/P)
367	WR1X10618	SCR 8-18 TPT 1/4 (S/P)
368	WR2X11336	BRACKET IM MOUNTING (S/P)
369	WR60X10259	MOTOR CRUSHER DISP (S/P)

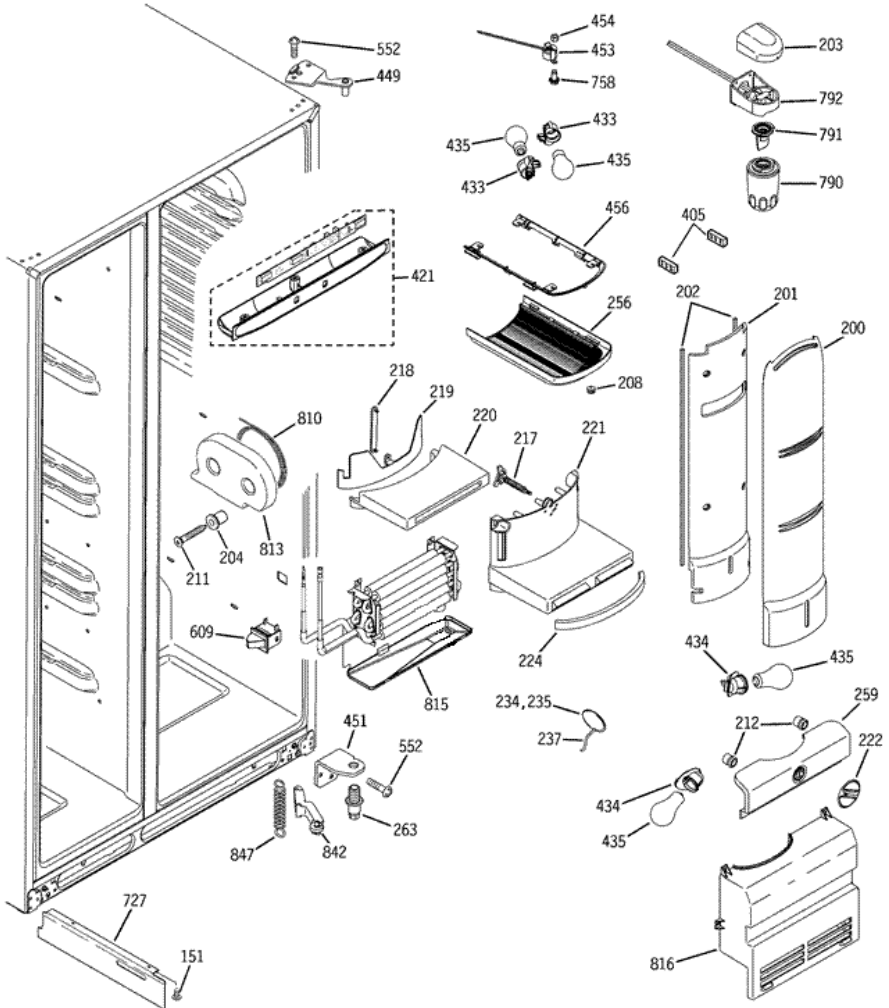
371	WR1X10619	SCR 10-18 HI/LO HXW 1/2 (S/P)
375	WR23X10330	HARNESS MOTOR & SOL (S/P)
377	WR2X7309	SADDLE SOLENOID (S/P)
378	WR62X58	SOLENOID & ARM ASM
379	WR17X1063	SHROUD SOLENOID (S/P)
380	WR17X1064	PLUNGER SOLENOID (S/P)
381	WR2X4257	PIN SPIRAL (S/P)
382	WR2X4258	SPRING SOLENOID LINKAGE (S/P)
383	WR17X1065	COLLAR SOLENOID DISP (S/P)
384	WR17X1066	STIRRUP SOLENOID DISP (S/P)
385	WR2X4259	PIN SPIRAL (S/P)
386	WR2X11767	BOOT AUGER MOTOR INT (S/P)
387	WR17X11478	COVER BUCKET BOTTOM (S/P)
820	WR30X10012	ELECTRONIC IM DOMESTIC
821	WR29X10085	STRIPPER IM (S/P)
867	WR29X10064	CUP FILL IM (S/P)

Distribuidor Autorizado

SurteRápido.com

Venta de Refacciones
Electrodomesticas

PSC25PSTASS FRESH FOOD SECTION



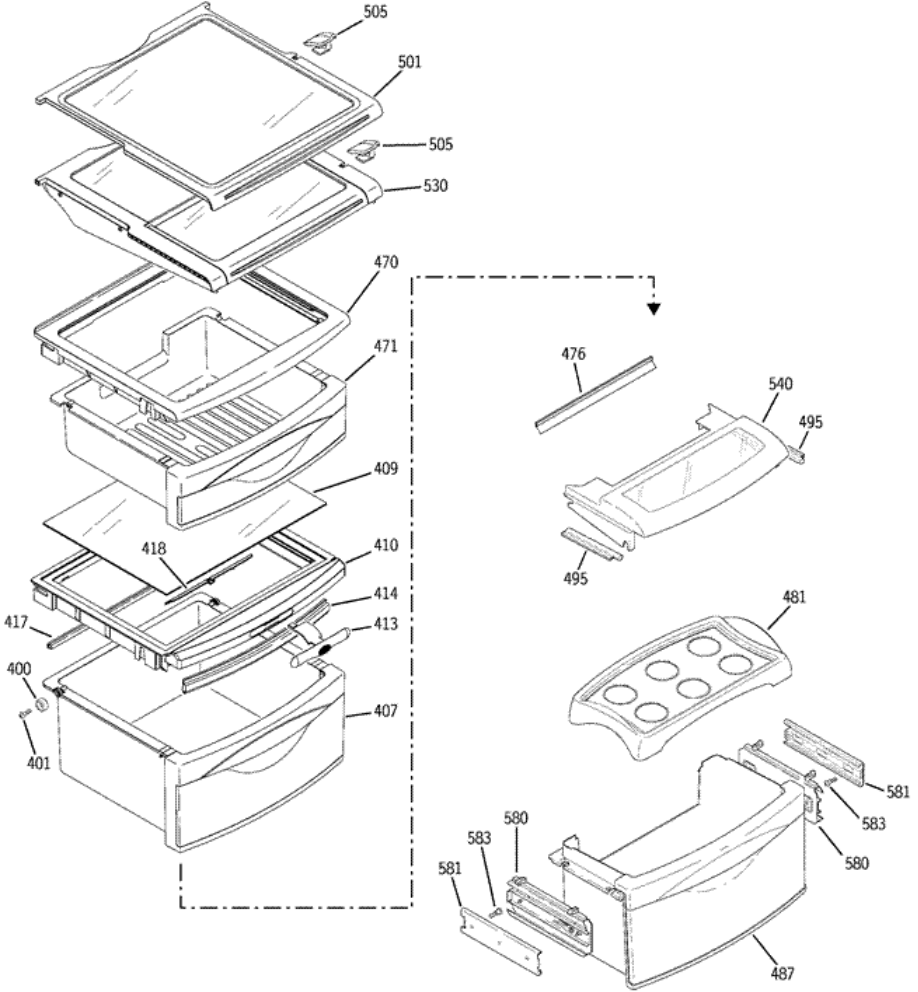


PSC25PSTASS FRESH FOOD SECTION

151	WR01X10623	SCR 8-18 AB IHXW 9/16 S (S/P)
200	WR17X11805	COVER FF AIR TOWER (S/P)
201	WR17X11805	EPS FF TOWER (S/P)
202	WR17X11805	GASKET TOWER FF (S/P)
203	WR17X11841	COVER WATER FILTER (S/P)
204	WR02X12188	SUPPORT SHELF (S/P)
208	WR01X10431	NUT 6-32 UN (S/P)
211	WR01X10568	SCR8-18 AB UFL 1 1/2 SS (S/P)
212	WR02X10689	GROMMET BASE GRILLE (S/P)
217	WR32X10154	DIAL PAN CHILL (S/P)
218	WR02X10665	LINKAGE PAN CHILL (S/P)
219	WR02X10664	SHUTTER PAN CHILL (S/P)
220	WR02X11851	EPS PAN CHILL (S/P)
221	WR02X11852	DISCHARGE PAN CHILL (S/P)
222	WR02X10666	KNOB PAN CHILL (S/P)
224	WR02X11853	FOAM STRIP SE ADH (S/P)
234	WR02X10647	GRILLE SENSOR (S/P)
235	WR02X10668	SHUNT SENSOR (S/P)
237	WR55X10025	SENSOR TEMPERATURE
256	WR17X11713	SHIELD LIGHT FF (S/P)
259	WR17X11712	LIGHT SHIELD (S/P)
263	WR02X12263	PIN HINGE BTM ADJ HOLLOW (S/P)
421	WR55X10495	INTERFACE CUSTOMER ASM (S/P)
433	WR02X9391	SOCKET & TERMINAL ASM
434	WR02X10645	SOCKET LAMP (S/P)
435	40A15	LAMP 40 W (S/P)
449	WR13X10364	HINGE TOP & PIN ASM FF (S/P)
451	WR13X10159	HINGE BTM BK (S/P)
454	WR01X10212	NUT 8-32 (S/P)
456	WR71X10595	BEZEL LIGHT FF (S/P)
552	WR01X10631	SCR 12-24 TT OVT .900 S (S/P)
609	WR23X10530	SWITCH LIGHT (S/P)
727	WR17X11503	SEPARATOR AIR HISIDE (S/P)

758	WD02X0323	SCR 8-32 X 3/8 SPH (S/P)
790	MWF	FILTER CANISTER, WATER
791	WR02X11705	CAP FILTER BYPASS (S/P)
792	WR17X11894	FILTER ASM AND TUBE (S/P)
810	WR17X11845	COVER TANK WATER COIL AS (S/P)
813	WR17X11710	COVER WATER TANK (S/P)
815	WR17X11843	TROUGH DRAIN ASM (S/P)
816	WR17X11915	COVER EVAP ASM (S/P)
842	WR11X10009	LEVER ASM FF SIDE BK (S/P)
847	WR01X2027	SPRING CLOSURE (S/P)

PSC25PSTASS FRESH FOOD SHELVES

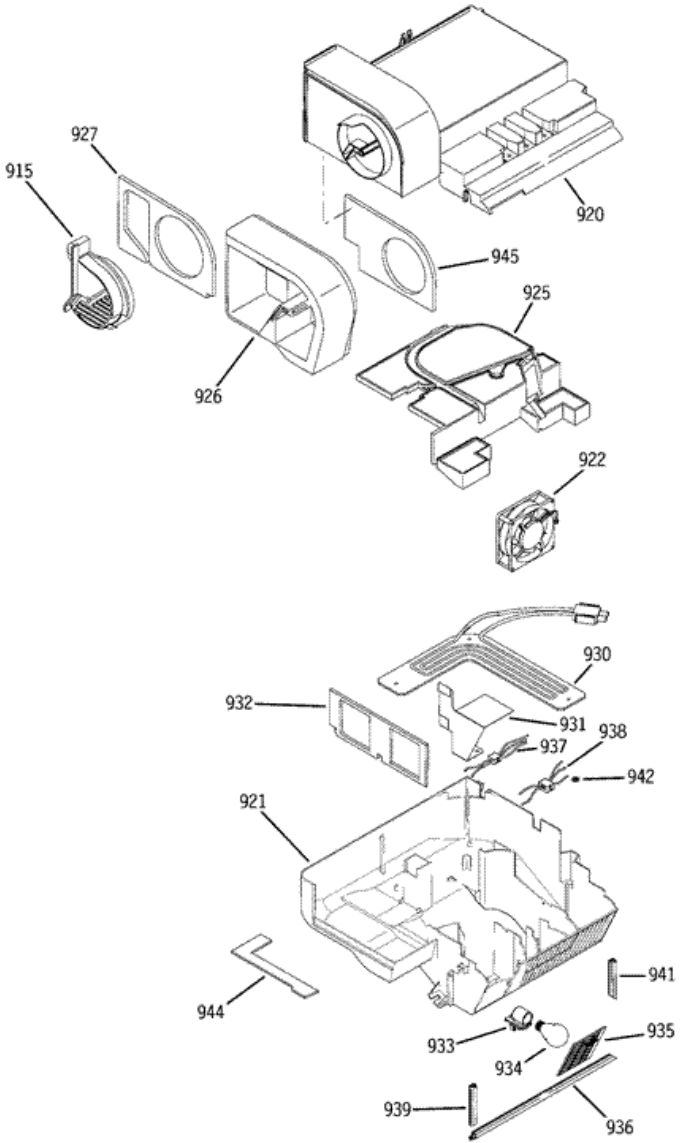




PSC25PSTASS FRESH FOOD SHELVES

400	WR01X10209	WHEEL PAN COVER (S/P)
401	WR01X10615	SCR 10-16 (S/P)
407	WR32X10572	PAN MIDDLE CHILL ASM (S/P)
409	WR32X10200	COVER PAN GLASS (S/P)
410	WR32X10197	COVER MIDDLE PAN (S/P)
413	WR02X10650	HUMIDITY CONTROL (S/P)
414	WR14X10059	GASKET PAN CRV FRONT (S/P)
417	WR14X10058	GASKET PAN CRV REAR (S/P)
418	WR02X10633	SLIDE MIDDLE PAN COVER (S/P)
470	WR32X10579	COVER TOP PAN ASM (S/P)
471	WR32X10338	PAN ASM TOP (S/P)
476	WR14X10169	GASKET PAN CVR FRONT (S/P)
481	WR31X10036	TRAY CUSTOM COOL (S/P)
487	WR32X10508	PAN FRAME ASM (S/P)
495	WR14X10159	SEAL SIDES CHILL (S/P)
501	WR71X10296	SHELF SLIDEOUT ASM (S/P)
505	WR02X10662	STOP SHELF (S/P)
530	WR71X10615	SHELF TUCKAWAY ASM (S/P)
540	WR31X10038	COVER PAN ASM (S/P)
580	WR72X10193	SLIDE AND BRACKET ASM L (S/P)
580	WR72X10194	SLIDE AND BRACKET ASM R (S/P)
581	WR72X10195	SLIDE LINER (S/P)
583	WR01X10629	SCR 8-18 AB HW 1/2 S (S/P)

PSC25PSTASS CUSTOM COOL





PSC25PSTASS CUSTOM COOL

915	WR2X10844	GRILL MULLION (S/P)
920	WR31X10008	COVER UPPER (S/P)
921	WR31X10043	COVER LOWER (S/P)
922	WR60X10227	FAN CHILL (S/P)
925	WR31X10007	PLENUM TOP (S/P)
926	WR31X10009	DUCT CAVITY CHILL (S/P)
927	WR14X10095	GASKET MULLION DUCT (S/P)
930	WR51X10081	HEATER THAW (S/P)
931	WR2X10809	REFLECTOR (S/P)
932	WR14X10096	GASKET DAMPER CHILL (S/P)
933	WR31X10012	LIGHT SOCKET CHILL (S/P)
934	WR2X10812	LAMP 40W CHILL (S/P)
935	WR31X10010	GRILL BULB CHILL (S/P)
936	WR14X10092	SEAL AHU CHILL (S/P)
937	WR17X11704	HARNESS CHILL AC (S/P)
938	WR23X10485	HARNESS CHILL DC (S/P)
939	WR14X10090	SEAL AHU CHILL (S/P)
941	WR14X10091	SEAL AHU CHILL (S/P)
942	WR1X10239	WASHER RETAINER CHILL (S/P)
944	WR14X10093	GASKET LC (S/P)
945	WR14X10094	GASKET UC (S/P)