

Distribuidor Autorizado

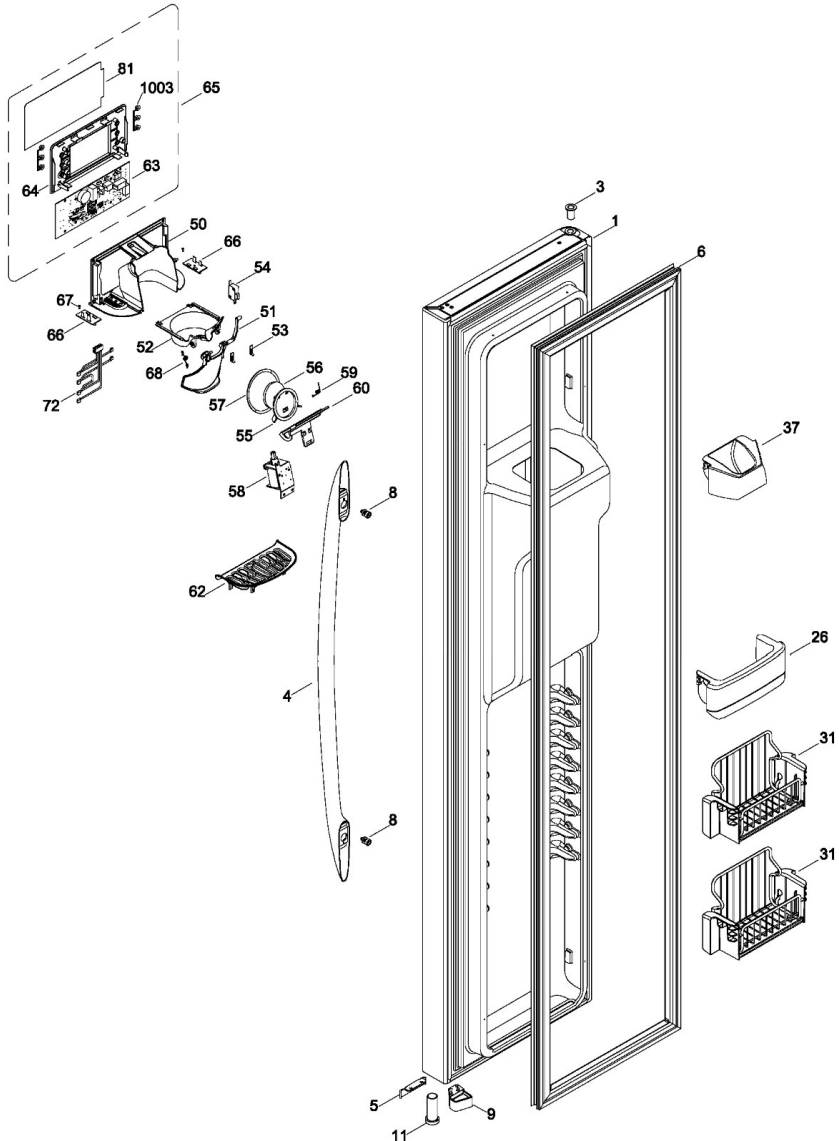
SurteRápido.com

Venta de Refacciones  
Electrodomesticas

# Refrigerador Mabe PSDS5YGXCFSS

PUERTA CONGELADOR  
FREEZER DOOR

PSDS5YGXCFSS



Distribuidor Autorizado

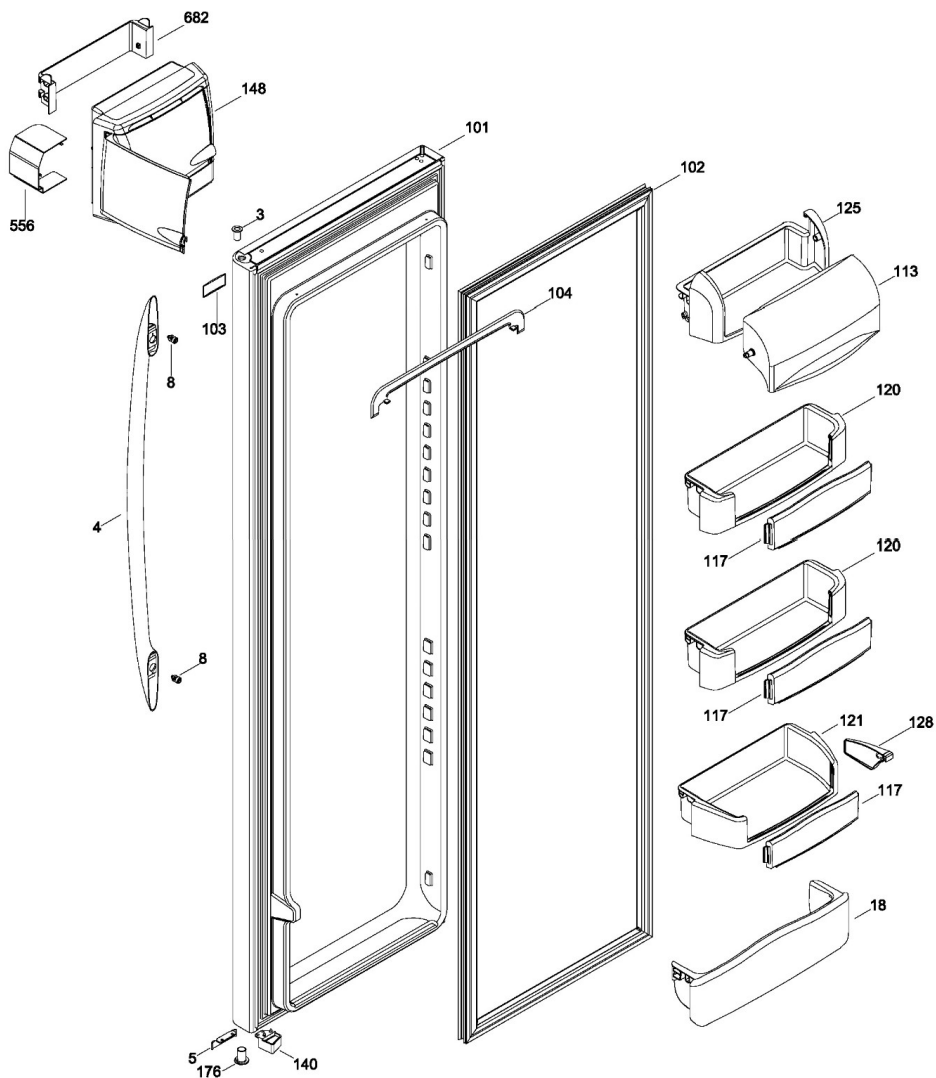
**SurteRápido.com**

Venta de Refacciones  
Electrodomesticas

# Refrigerador Mabe PSDS5YGXFSS

PUERTA ENFRIADOR  
FREEZER DOOR

PSDS5YGXFSS



Distribuidor Autorizado

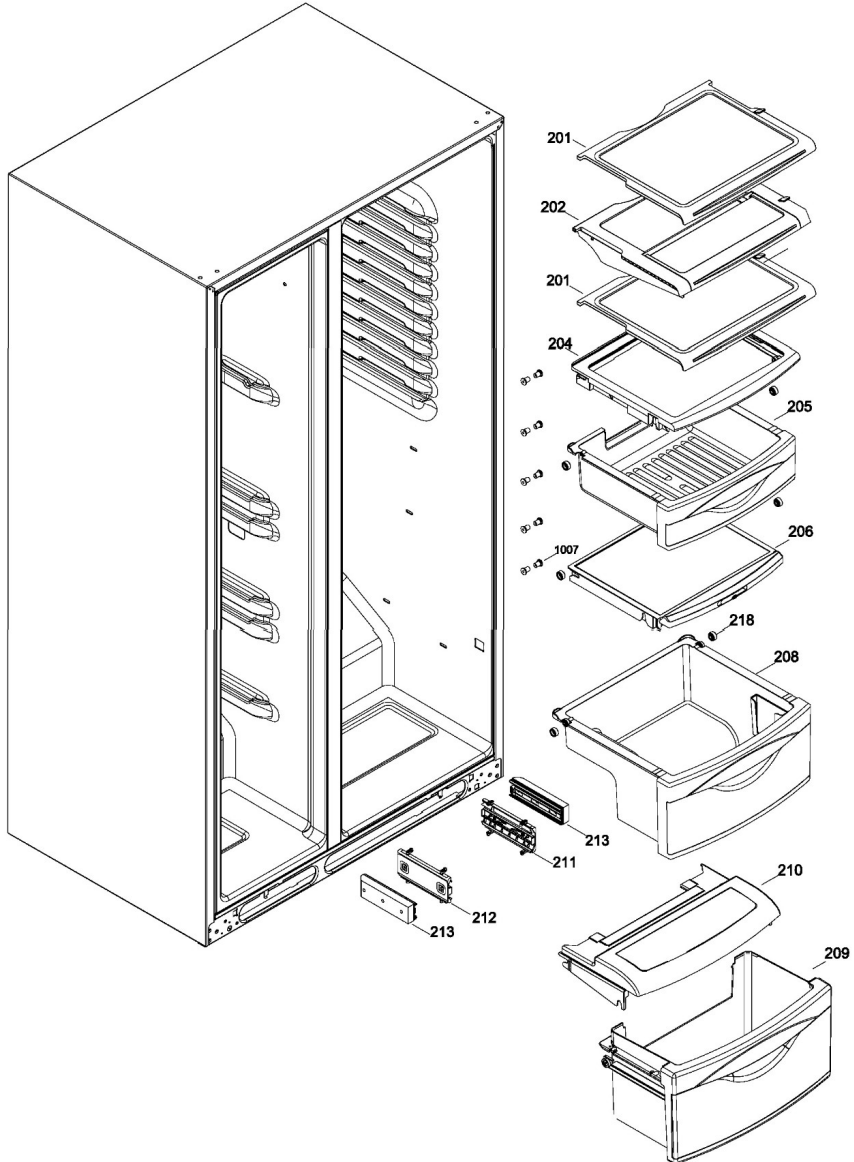
SurteRápido.com

Venta de Refacciones  
Electrodomesticas

# Refrigerador Mabe PSDS5YGXCFS

CONSERVADOR DE ALIMENTOS  
FRESH FOOD SHELVES

PSDS5YGXCFS



Distribuidor Autorizado

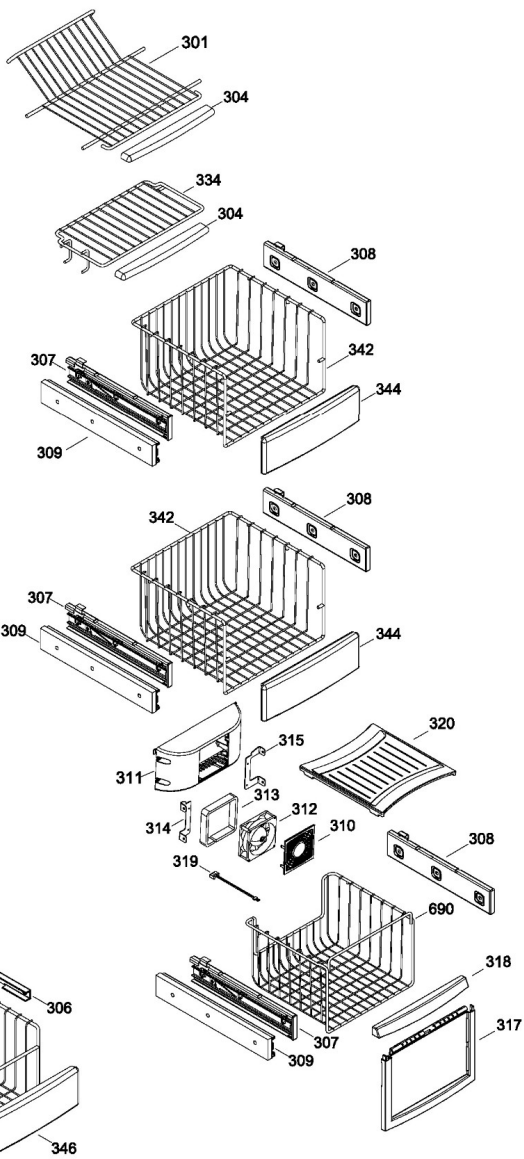
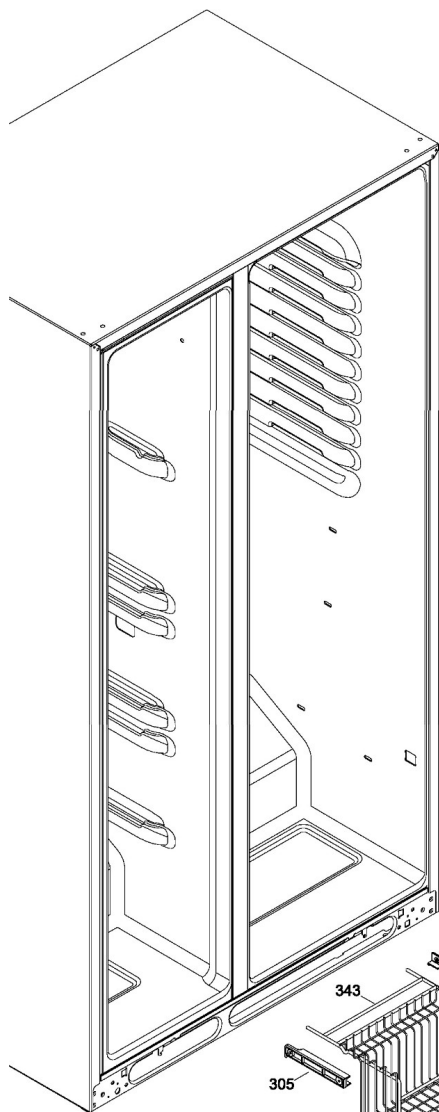
SurteRápido.com

Venta de Refacciones  
Electrodomesticas

# Refrigerador Mabe PSDS5YGXCFS

CONGELADOR DE ALIMENTOS  
FREEZER SHELVES

PSDS5YGXCFS



Distribuidor Autorizado

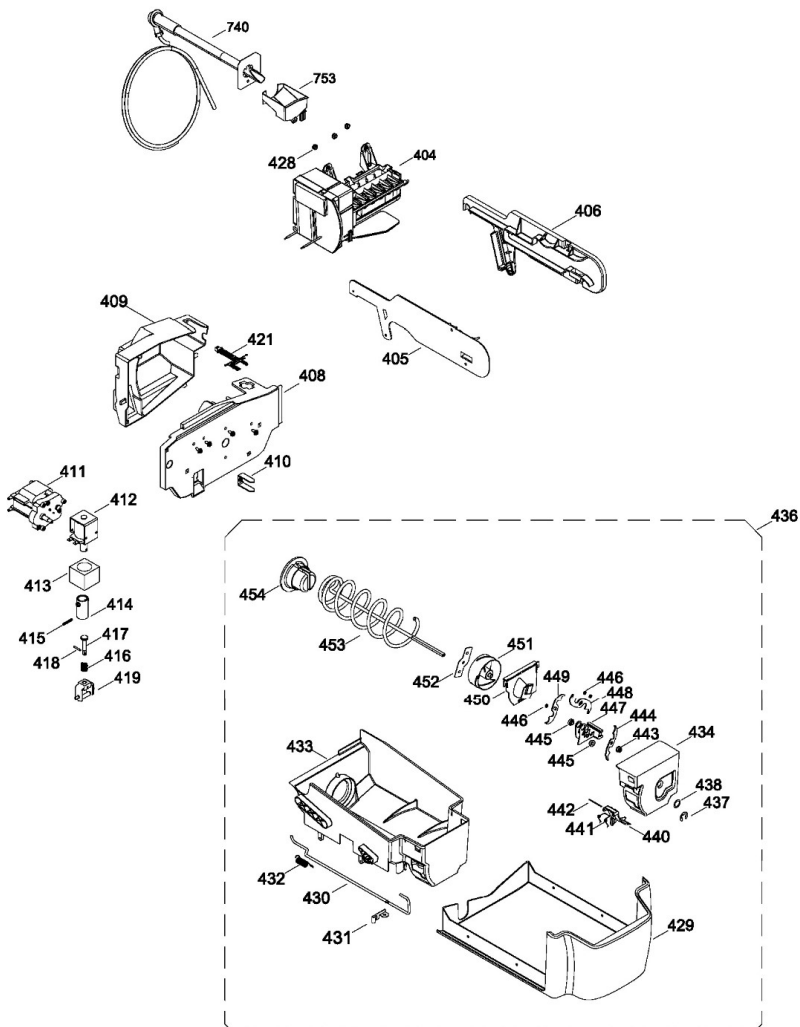
SurteRápido.com

Venta de Refacciones  
Electrodomesticas

# Refrigerador Mabe PSDS5YGXFSS

FABRICA Y DESPACHADOR DE HIELO  
ICEMAKER AND DISPENSER

PSDS5YGXFSS



Distribuidor Autorizado

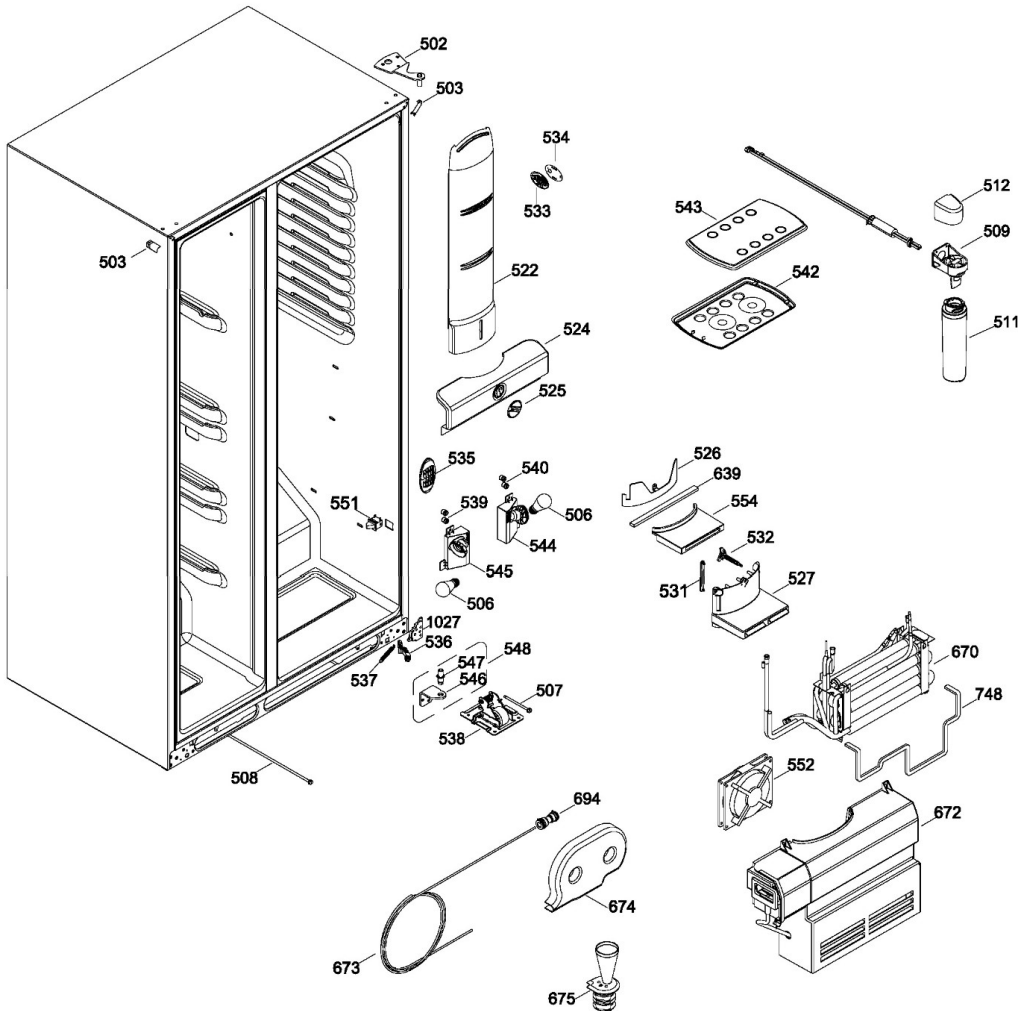
SurteRápido.com

Venta de Refacciones  
Electrodomesticas

# Refrigerador Mabe PSDS5YGXCFS

## PARTES CONSERVADOR DE ALIMENTOS FRESH FOOD SECTION

PSDS5YGXCFS



Distribuidor Autorizado

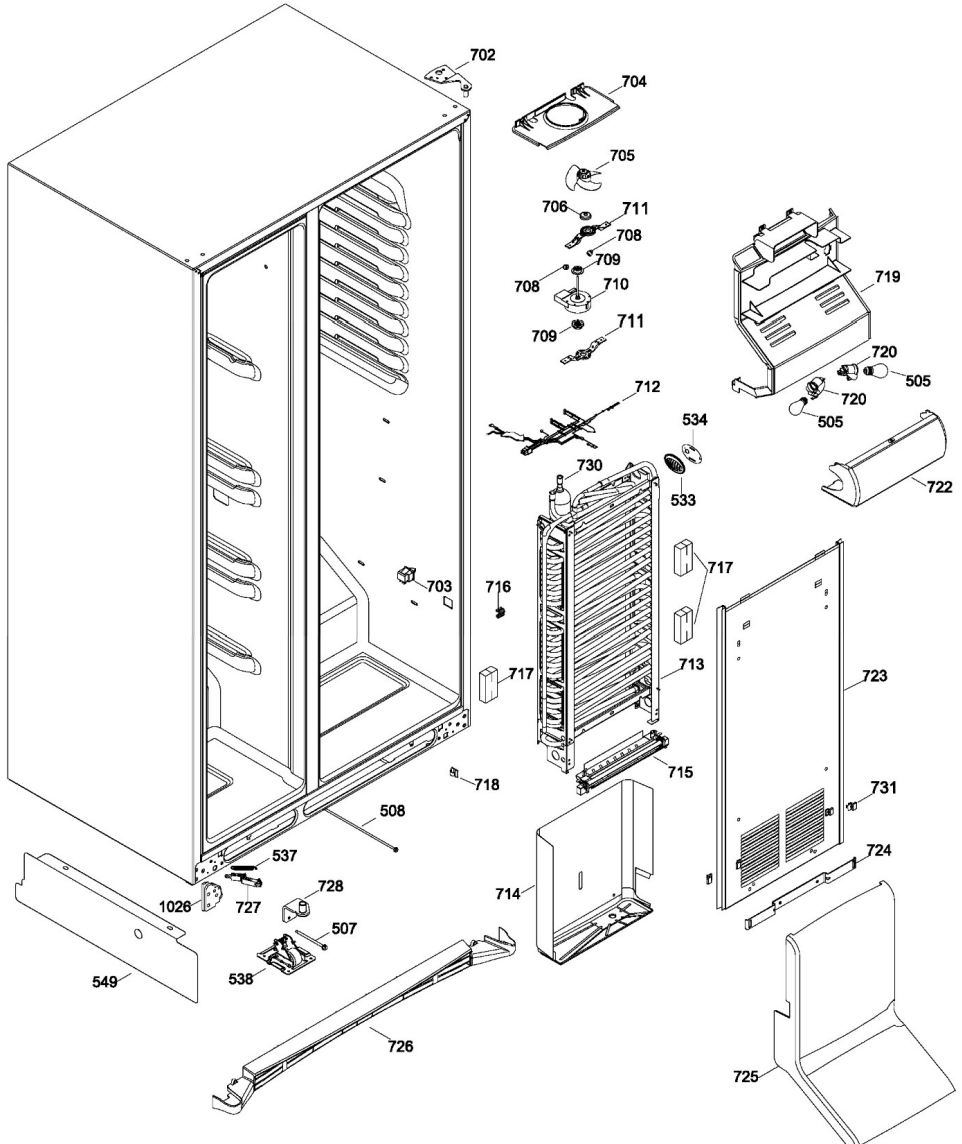
SurteRápido.com

Venta de Refacciones  
Electrodomesticas

# Refrigerador Mabe PSDS5YGXCFSS

## PARTES CONGELADOR DE ALIMENTOS FREEZER SECTION

PSDS5YGXCFSS



Distribuidor Autorizado

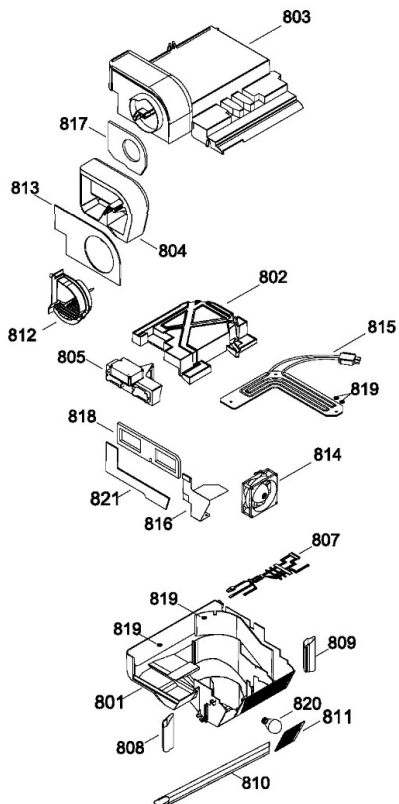
**SurteRápido.com**

Venta de Refacciones  
Electrodomesticas

# Refrigerador Mabe PSDS5YGXCFSS

**PARTES ENFRIADOR RAPIDO  
QUICK CHILL PARTS**

**PSDS5YGXCFSS**





Distribuidor Autorizado

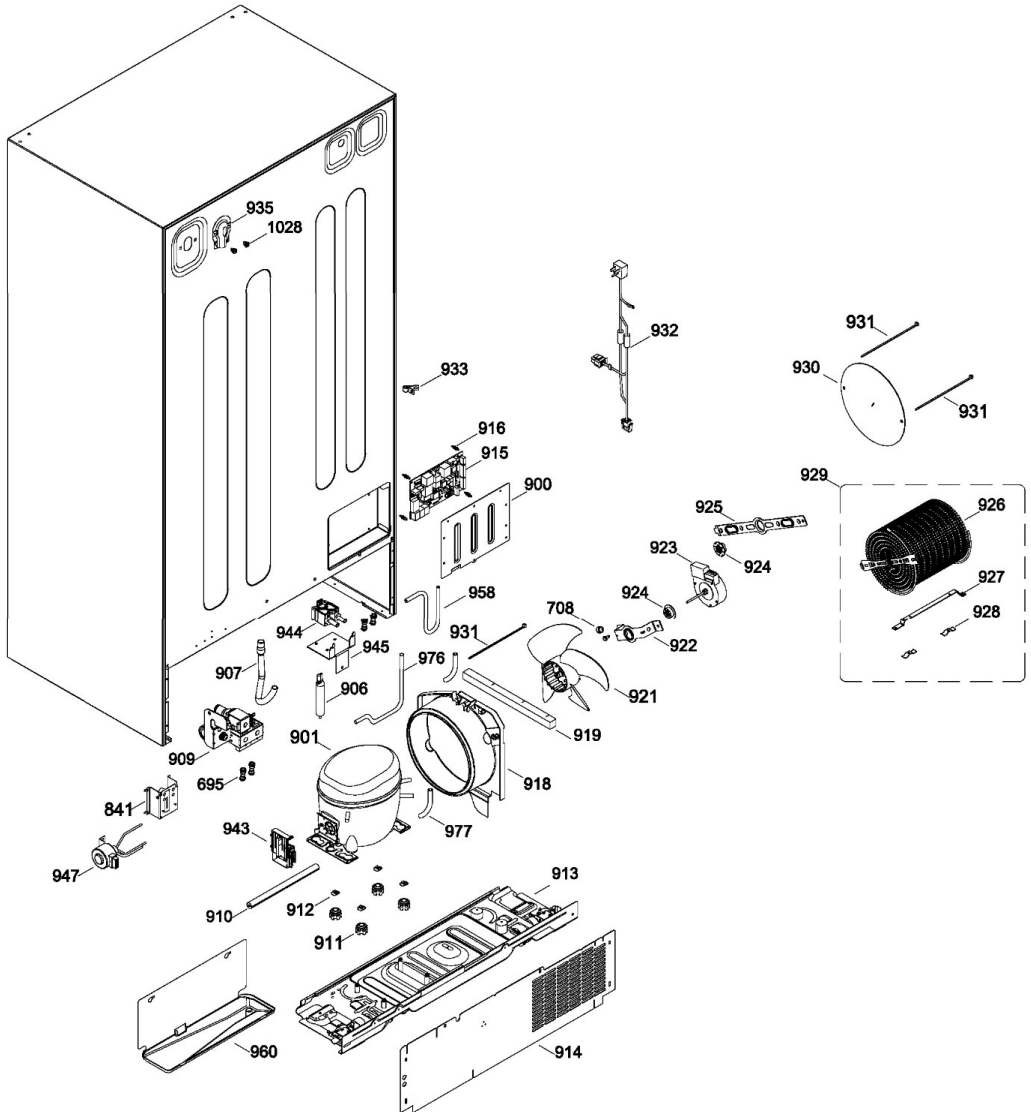
SurteRápido.com

Venta de Refacciones  
Electrodomesticas

# Refrigerador Mabe PSDS5YGXCFS

UNIDAD REFRIGERANTE Y TARJETA PRINCIPAL  
SEALED SYSTEM MOTHER BOARD

PSDS5YGXCFS



Distribuidor Autorizado

**SurteRápido.com**

Venta de Refacciones  
Electrodomesticas

## Refrigerador Mabe PSDS5YGXCFS

| Guía | Componente   | Descripción                   |
|------|--------------|-------------------------------|
| 1    | 200D5969G056 | DOOR FOAM ASM FZ FLA          |
| 3    | 238C1017P027 | BUJE PUERTA                   |
| 4    | 200D9513G004 | HANDLE ASM HYDROFORM          |
| 5    | 203C6714P002 | TOPE PUERTA                   |
| 6    | 200D5288P014 | GASKET FZ DOOR WH             |
| 8    | 200D5311P004 | P2ERNO JALADERA               |
| 9    | 200D1389P007 | LEVA CIERRE                   |
| 11   | 238C1160P003 | BUJE INF. PUERTA CONG.        |
| 18   | 200D5324P002 | ANAQUEL CONGELADOR            |
| 26   | 200D5323P001 | MODULE SHELF FZ FIXED         |
| 31   | 197D4588G009 | ENS. MODULO CONG.             |
| 37   | 200D5599P001 | GUIA HIELO                    |
| 50   | 200D7382P006 | CARCAZA PROTECTOR DISP.       |
| 51   | 200D7356P006 | PADDLE ICE DISP               |
| 52   | 200D7346P001 | EMBUDO HIELOS DISP            |
| 52   | 245D2378P001 | EMBUDO HIELOS DISP            |
| 53   | 243B1862P002 | DESCANSO RETENEDOR PUERTA     |
| 54   | 243B2524P003 | INTERRUPTOR DEL DESPACHADOR   |
| 54   | WR23X10783   | INTERRUPTOR DEL DESPACHADOR   |
| 55   | 203C3396P002 | DESCANSO PUERTA INF.          |
| 56   | 243B1852P001 | DESCANSO PUERTA AISLANTE      |
| 57   | 203C3397P004 | INSERTO MOLDURA DESPACHADOR   |
| 58   | 203C6017G003 | SOLENOIDES ENSAMBLE           |
| 59   | 203C6018P002 | RESORTE DE PUERTA DESPACHADOR |
| 60   | 203C6020P001 | MANIVELA PUERTA DISP.         |
| 62   | 200D7803P003 | GRILL RECESS                  |
| 63   | 225D1384G020 | TARJETA DISPENSADOR ENS       |
| 64   | 200D7971P016 | BRACKET LCD                   |

Distribuidor Autorizado

**SurteRápido.com**

Venta de Refacciones  
Electrodomesticas

## Refrigerador Mabe PSDS5YGXCFSS

| Guía | Componente   | Descripción                   |
|------|--------------|-------------------------------|
| 65   | 200D9552G009 | DISPENSER CONTROL LCD ASM     |
| 66   | 200D6129G003 | ENS. TARJETA LUZ DISP.        |
| 67   | 355B2502P001 | REMACHE                       |
| 68   | 238C2880P001 | RESORTE TORSION               |
| 72   | 200D7420G003 | ARNES DESCANSO DISP.          |
| 81   | 200D9687P001 | MEMBRANA LCD                  |
| 101  | 200D5966G019 | DOOR FOAM ASM FF FLAT         |
| 102  | 200D5288P013 | GASKET DOOR FF WH             |
| 103  | 200D7160P002 | LENTE PLACA                   |
| 104  | 200D4881P001 | MOLDURA COMPARTIMENTO LACTEO  |
| 113  | 200D4825P001 | PUERTA MANTEQUILLERA          |
| 117  | 200D1001P003 | ANAQUEL VENTANA               |
| 120  | 200D5618P001 | ANAQUEL REFRIGERADOR          |
| 121  | 200D5619P001 | ANAQUEL REFRIGERADOR          |
| 125  | 200D5620P001 | COMPARTMENT DAIRY             |
| 128  | 197D2493P003 | SEPARADOR DE BOTELLAS         |
| 140  | 200D1389P003 | LEVA CIERRE                   |
| 148  | 200D6076G003 | BEVERAGE CENTER ASM           |
| 176  | 238C1017P024 | BUJE PUERTA                   |
| 201  | 200D1439G003 | SHELF SLIDEOUT ASM            |
| 202  | 200D1189G025 | SHELF TUCKAWAY ASM            |
| 204  | 200D1110G010 | COVER TOP PAN A               |
| 205  | 200D1106G011 | ENSAMBLE CAJON                |
| 205  | WR32X26198   | ENSAMBLE CAJON                |
| 206  | 200D1115G012 | CUBIERTA CAJON INTERMEDIO ENS |
| 208  | 200D2536G013 | CAJON INTERMEDIO ENSAMBLE     |
| 209  | 200D4765G005 | CAJÓN CN DE ENFRIAMIENTO ENS  |
| 209  | WR32X26238   | CAJÓN CN DE ENFRIAMIENTO ENS  |

Distribuidor Autorizado

**SurteRápido.com**

Venta de Refacciones  
Electrodomesticas

## Refrigerador Mabe PSDS5YGXCFSS

| Guía | Componente    | Descripción                  |
|------|---------------|------------------------------|
| 210  | 200D4831G005  | COVER PAN ASM.               |
| 211  | 200D4771G007  | ENS. RIEL SOPORTE            |
| 212  | 200D4771G008  | ENS. RIEL SOPORTE            |
| 213  | 200D4774G001  | ENS. SEP. RIEL               |
| 218  | 238C1213P001  | RUEDA CAJON Y CUBIERTA       |
| 301  | 200D6031P001  | SHELF ADJUSTABLE FZ          |
| 304  | 200D1508P003  | REMATE PARRILLA CONG.        |
| 305  | 200D4212P003  | SOPORTE DESLIZABLE CANASTA   |
| 306  | 200D4212P004  | SOPORTE DESLIZABLE CANASTA   |
| 307  | 200D2189G011  | SLIDE BRACKET RIGHT ASM      |
| 308  | 200D2189G012  | SLIDE BRACKET RIGHT ASM      |
| 309  | 200D3871G002  | SPACER SLIDE ASM             |
| 310  | 200D8215P001  | PARRILLA VENT.               |
| 311  | 200D8212P001  | HOUSING FAN FAST FREEZE      |
| 312  | 355B1130P003M | VENTILADOR REFRIGERADOR      |
| 313  | 355B1018P023  | TIRA DE ESPUMA               |
| 314  | 200D8214P001  | BRACKET FAN HOUSING RH       |
| 315  | 200D8214P002  | BRACKET FAN HOUSING LH       |
| 317  | 200D8595P001  | COVER FRONT                  |
| 318  | 200D8596P001  | HANDLE                       |
| 319  | 200D9335G001  | HARNESS FAST FREEZE JAMP     |
| 320  | 200D9347P002  | BANDEJA CONGELAMIENTO RAPIDO |
| 334  | 200D1352P020  | SHELF FIXED FZ               |
| 342  | 200D1966P006  | BASKET                       |
| 343  | 200D2180P006  | BASKET WIRE FZ               |
| 344  | 200D2052P009  | JALADERA                     |
| 346  | 200D2052P008  | HANDLE                       |
| 404  | 225D5681G003  | FABRICA DE HIELOS ENS        |

Distribuidor Autorizado

**SurteRápido.com**

Venta de Refacciones  
Electrodomesticas

## Refrigerador Mabe PSDS5YGXCFSS

| Guía | Componente   | Descripción                    |
|------|--------------|--------------------------------|
| 405  | 200D7843P001 | CAJON DESLIZANTE IZQ.          |
| 406  | 200D7844P001 | CORREDERA CAJON DER.           |
| 408  | 200D9631P001 | CUBIERTA FTAL DEL MOTOR        |
| 409  | 200D9632P001 | CUBIERTA POST DEL MOTOR        |
| 410  | 197D5953P003 | DRIVE AUGER DISP               |
| 411  | 200D1064P020 | MOTOR CRUSHER DISP             |
| 412  | 203C3246G001 | ENS. SOLENOIDE Y BRAZO         |
| 413  | 643409P01    | SOLENOIDE                      |
| 414  | 238C3518P001 | COLLAR SOLENOID DISP           |
| 414  | 245D1684G001 | COLLAR SOLENOID DISP           |
| 415  | 870736P01    | PIN SPIRAL                     |
| 416  | 870477P01    | RESORTE DE CONEXION SOLENOIDE  |
| 417  | 870475P01    | PISTON SOLENOIDE               |
| 418  | 870465P01    | PIN SPIRAL                     |
| 419  | 650100P01    | ESTRIBO SOLENOIDE              |
| 421  | 200D1042G011 | ARNES MOTOR Y SOLENOIDE        |
| 428  | 866160P03    | SELLO GOMA                     |
| 429  | 200D4596P001 | COVER BUCKET BOTTOM            |
| 430  | 238C2239P001 | CABLE ACTUADOR DISP.           |
| 431  | 203C5599P001 | SUJETADOR RESORTE              |
| 432  | 203C5771P002 | SPRING DEFLECTOR               |
| 433  | 200D4652P002 | CUBO HIELOS DISP.              |
| 434  | 197D2264P002 | CAJA TRITURADORA               |
| 436  | 200D4841G004 | BUCKET & AUGER ASM             |
| 437  | 870402P02    | RETENEDOR ANILLO               |
| 438  | 870407P04    | RONDANA                        |
| 440  | 197D2263P003 | DEFLECTOR DESPACHADOR DE HIELO |
| 441  | 643499P01    | RESORTE DEFLECTOR HIELO        |

Distribuidor Autorizado

**SurteRápido.com**

Venta de Refacciones  
Electrodomesticas

## Refrigerador Mabe PSDS5YGXCFSS

| Guía | Componente   | Descripción                  |
|------|--------------|------------------------------|
| 442  | 870417P01    | PERNO DEFLECTOR DISP.        |
| 443  | 238C1340P002 | TUERCA TRITURADOR DISP.      |
| 444  | 643918P01    | CUCHILLAS MOVILES DISP.      |
| 445  | 870411P01    | ESPACIADOR TRITURADOR        |
| 446  | 870412P01    | ESPACIADOR TRITURADOR        |
| 447  | 197D2257G001 | ENS. BASE (BUCKETS)          |
| 448  | 643918P02    | CUCHILLAS MOVILES DISP.      |
| 449  | 643918P03    | CUCHILLAS MOVILES DISP.      |
| 450  | 200D4662P001 | CUBIERTA TRITURADORA         |
| 451  | 200D4644P001 | HELICE                       |
| 452  | 200D4645P001 | SEGURO HELICE                |
| 453  | 200D4660P001 | AUGER HELIX DISP             |
| 454  | 238C2348P001 | TAZA LLENADO FABRICA HIELOS  |
| 502  | 238C2641G007 | ENS. BISAGRA SUP. PERNO      |
| 503  | 200D1623P005 | CUBIERTA ESQUINERO           |
| 505  | 866354P039   | LAMPARA 60W 120V             |
| 506  | 866354P038   | LAMP                         |
| 507  | 238C1241P004 | TORNILLO MOVIL               |
| 508  | 238C1241P005 | TORNILLO MOVIL               |
| 509  | 200D5285G005 | ENS. FILTRO Y TUBO           |
| 511  | 238C2334P006 | CAMBIO FILTRO AGUA           |
| 512  | 200D9239P001 | COVER WATER FILTER           |
| 522  | 200D5003G003 | AIR TOWER ASM                |
| 524  | 200D2396P008 | LIGHT SHIELD                 |
| 525  | 355B1166P001 | PERILLA CAJON ENFRIAMIENTO   |
| 526  | 355B1066P002 | REGULADOR CAJON ENFRIAMIENTO |
| 527  | 200D5014P001 | DISCHARGE PAN CHILL          |
| 531  | 355B1164P001 | ENLACE CAJON ENFRIAMIEN      |

Distribuidor Autorizado

**SurteRápido.com**

Venta de Refacciones  
Electrodomesticas

## Refrigerador Mabe PSDS5YGXCFSS

| Guía | Componente   | Descripción                   |
|------|--------------|-------------------------------|
| 532  | 200D2014P001 | CARATULA TABLERO ENFRIAMIENTO |
| 533  | 238C1095P001 | REJILLA SENSOR                |
| 534  | 355B1263P001 | CUBIERTA SENSOR               |
| 535  | 238C2613P002 | DUCTO PARRILLA                |
| 536  | 238C1163G003 | PALANCA CIERRE PTA.ENFRIADOR  |
| 537  | 203C4137P002 | RESORTE CIERRE PUERTA         |
| 538  | 200D1253G005 | ENS. MOVIL FRONTAL            |
| 539  | 238C1674P002 | GROMMET BASE GRILLE           |
| 540  | 238C1674P001 | SELLO GOMA BASE PARRILLA      |
| 542  | 225D2081G001 | COVER SHIELD ASM              |
| 543  | 225D1365G003 | ENS. PROTECTOR LED            |
| 544  | 200D7745G001 | REFLECTOR ASM MIDDLE          |
| 545  | 200D7745G002 | REFLECTOR ASM MIDDLE          |
| 546  | 238C1021P009 | BISAGRA INF.                  |
| 547  | 238C1158P002 | PERNO BISAGRA INF. AJUST      |
| 548  | 238C1037G016 | BISAGRA Y PERNO INFERIOR ENS  |
| 549  | 200D9354P001 | DIVISOR AIRE HS               |
| 551  | 200D2547P004 | INTERRUPTOR LUZ INT.          |
| 552  | 200D4692P003 | FAN DC EVAP FF                |
| 554  | 200D4699P001 | EPS ESPUMA INTERIOR           |
| 556  | 238C2567P001 | COVER EPS BVR CTR             |
| 639  | 355B1018P012 | FOAM STRIP SE ADH             |
| 670  | 197D2372G015 | LOW SIDE ASM                  |
| 672  | 200D5002G012 | ENS. CUBIERTA EVAP.           |
| 673  | 200D4911G004 | COVER TANK WATER COIL AS      |
| 674  | 200D4916P002 | COVER WATER TANK              |
| 675  | 200D7665G007 | ENS. TUBO DRENAJE GROMMET     |
| 682  | 200D5703P003 | ADAPTER BVR CTR               |

Distribuidor Autorizado

**SurteRápido.com**

Venta de Refacciones  
Electrodomesticas

## Refrigerador Mabe PSDS5YGXCFSS

| Guía | Componente   | Descripción                    |
|------|--------------|--------------------------------|
| 690  | 200D8594P002 | BASKET CUSTOM FZ               |
| 694  | 197D3216P003 | UNION CONNECTOR                |
| 695  | 197D3216P004 | UNION CONNECTOR                |
| 702  | 238C2641G008 | ENS. BISAGRA SUP. PERNO        |
| 703  | 197D2805P007 | INTERRUPTOR CONGELADOR         |
| 704  | 238C3672G001 | ENS. SOPORTE PARA VENTILADOR   |
| 705  | 197D3131G007 | ASPA DE VENTILA                |
| 706  | 203C5482P002 | CUBIERTA POLVO PARA MOTOR VENT |
| 708  | 123C8091P002 | PARACHOQUES TAPA               |
| 709  | 203C5909P003 | GROMMET EVAP FAN               |
| 710  | 197D4968G009 | MOTOR DC EVAP FAN ASM          |
| 711  | 200D9752P001 | SOPORTE INFERIOR VENTILADOR    |
| 712  | 200D7660G013 | HARNESS AC FZ INTERMEDIA       |
| 713  | 197D2374G031 | SISTEMA BAJA PRESION           |
| 714  | 200D5459G003 | CUBIERTA CHAROLA ENS           |
| 715  | 203C5543G003 | ENS. RESISTENCIA Y SOPORTE     |
| 716  | 203C5682P001 | CLIP SENSOR EVAPORADOR         |
| 717  | 355B1306P003 | BLOQUE SELLO EVAPORADOR        |
| 718  | 644334P03    | CLIP ADHESIVO                  |
| 719  | 200D2577G044 | CUBIERTA FRONTAL DEL EVAPORADO |
| 720  | 162D5209G004 | ENS. TERMINAL SOCKET           |
| 722  | 200D4667P001 | PROTECTOR FOCO CONG.           |
| 722  | 200D4667P002 | PROTECTOR FOCO CONG.           |
| 723  | 200D2122G023 | CUBIERTA EVAPORADOR ENS.       |
| 724  | 238C1787P001 | SOPORTE INF. TORRE AIRE        |
| 725  | 200D3172P002 | TORRE INF. AIRE                |
| 726  | 200D1263P021 | REMATE FALDON                  |
| 726  | 200D1263P023 | REMATE FALDON                  |



Distribuidor Autorizado

**SurteRápido.com**

Venta de Refacciones  
Electrodomesticas

## Refrigerador Mabe PSDS5YGXCFSS

| Guía | Componente   | Descripción                    |
|------|--------------|--------------------------------|
| 727  | 238C1163G007 | ENS. PALANCA CIERRE            |
| 728  | 238C1036G007 | ENS. PERNO BISAGRA INF.        |
| 730  | 200D4817G010 | ENS. VALVULA                   |
| 731  | 238C1651P001 | SOPORTE SUP. TORRE AIRE        |
| 740  | 200D7333G001 | TUBE IM FILL                   |
| 748  | 870963P202   | CINTA ESPUMADA                 |
| 753  | 238C1145P005 | TAZA LLENADO FABRICA HIELOS    |
| 801  | 200D1939P005 | CUBIERTA INF.                  |
| 802  | 200D6497P003 | CUBIERTA PLENUM                |
| 803  | 200D1942P001 | CUBIERTA SUPERIOR              |
| 804  | 200D7453P004 | DUCT CAVITY CHILL              |
| 805  | 200D5928P002 | ENS. APAGADOR                  |
| 807  | 200D7655G003 | ARNES DC CONG.                 |
| 808  | 225D2527P003 | SEAL AHU LEFT CHILL            |
| 809  | 225D2527P002 | SEAL AHU RIGHT CHILL           |
| 810  | 225D2527P001 | SEAL AHU CHILL                 |
| 811  | 238C1506P001 | BULBO PARRILLA ENFRIADO RAPIDO |
| 812  | 238C1745P001 | GRILL MULLION                  |
| 813  | 238C1876P001 | SELLO LC                       |
| 814  | 355B1130P002 | VENTILADOR ENFRIADO RAPIDO     |
| 815  | 355B1131P005 | HEATER THAW                    |
| 816  | 355B1132P001 | REFLECTOR                      |
| 817  | 355B2630P005 | GASKET MULLION DUCT            |
| 818  | 355B1134P002 | SELLO AMORTIGUADOR ENFRIADO    |
| 819  | 355B1312P001 | RONDANA RETENEDORA             |
| 820  | 355B1338P001 | LAMP 40W CHI                   |
| 821  | 238C1875P001 | SELLO LC                       |
| 841  | 225D1277G005 | BRACKET TX BDR ASM             |

Distribuidor Autorizado

**SurteRápido.com**

Venta de Refacciones  
Electrodomesticas

## Refrigerador Mabe PSDS5YGXCFSS

| Guía | Componente   | Descripción                    |
|------|--------------|--------------------------------|
| 900  | 200D1577G007 | ENS. CUBIERTA TARJETA          |
| 901  | 200D3993P026 | COMPRESOR INVERTER             |
| 901  | 200D3993P029 | COMPRESOR INVERTER             |
| 906  | 162D9086P007 | DRYER BIFURCATED XH9           |
| 907  | 238C1355P002 | TUBO DESHIELO                  |
| 909  | 197D2638P010 | VALVULA PARA AGUA              |
| 910  | 243B2228P018 | AISLAMIENTO TUBO DE SUCCION    |
| 911  | 203C5262P001 | ARANDELA COMPRESOR             |
| 912  | 871516P006   | CLIP COMPRESOR                 |
| 913  | 197D2034G055 | ENS. PLACA BASE MONTAJE RUEDAS |
| 914  | 197D6898P004 | CUBIERTA ACCESO                |
| 915  | 200D4864G045 | BOARD ASM MAIN CONTROL         |
| 916  | 355B1046P002 | SEPARADOR AISLANTE             |
| 918  | 197D4357P005 | CUBIERTA CONDENSADOR           |
| 919  | 870963P203   | FOAM STRIP SE ADH              |
| 921  | 197D3453G005 | ASPA DE VENTILADOR             |
| 922  | 197D2722P001 | SOPORTE VENTILADOR DELANTERO   |
| 923  | 197D2407P013 | MOTOR CONDENSADOR              |
| 923  | 197D2407P016 | MOTOR CONDENSADOR              |
| 924  | 203C5909P002 | REFUERZO EVAPORADOR/VE         |
| 925  | 197D2968P001 | SOPORTE VENTILADOR POST.       |
| 926  | 197D2774G012 | SOPORTE-CONDENSADOR ENS        |
| 927  | 197D3309P002 | SOPORTE CONDENSADOR            |
| 928  | 203C4219P001 | CLIP CONDENSADOR               |
| 929  | 200D4067G004 | CONDENSER, MTG ASM (EMB)       |
| 930  | 203C5866P002 | BAFFLE COND AIR                |
| 931  | 868903P015   | LLANTA ALAMBRE                 |
| 932  | 200D7651G003 | HARNES INFERIOR DE GAB         |

Distribuidor Autorizado

**SurteRápido.com**

Venta de Refacciones  
Electrodomesticas



## Refrigerador Mabe PSDS5YGXCFSS

| Guía | Componente   | Descripción                     |
|------|--------------|---------------------------------|
| 933  | 130035P004   | MORDAZA CABLE                   |
| 935  | 200D1776P003 | CUBIERTA LINEA AGUA             |
| 943  | 200D5948P003 | INVERTER EMB COMP MOUNERTER EMB |
| 943  | 200D5948P014 | INVERTER EMB COMP MOUNERTER EMB |
| 943  | 200D5948P022 | ENS. INVERSOR COMPRESOR         |
| 943  | 200D7661G008 | ENS. INVERSOR COMPRESOR         |
| 944  | 197D6930P001 | FLUJOMETRO                      |
| 945  | 238C2978P003 | SOPORTE FLUJOMETRO              |
| 947  | 197D5678G001 | VALVULA 3 VIAS ENS              |
| 958  | 200D7973P001 | PUENTE TUBO FLUJOMETRO          |
| 960  | 200D4908G003 | TROUGH DRAIN AS                 |
| 976  | 197D3406G008 | TUBO DE SUCCIÓN FORMADO         |
| 976  | 197D3406G019 | TUBO DE SUCCIÓN FORMADO         |
| 977  | 162D7999P059 | TUBO RECTO                      |
| 1003 | 200D8620P001 | LCD CONTROL BUTTON              |
| 1007 | 200D5866P003 | SOPORTE ANAQUEL                 |
| 1026 | 355B1024P034 | RIEL ESPACIADOR FRONTAL         |
| 1027 | 355B1024P037 | RIEL ESPACIADOR FRONTAL         |
| 1028 | 203C2160P001 | GROMMET P/TORNILLO              |