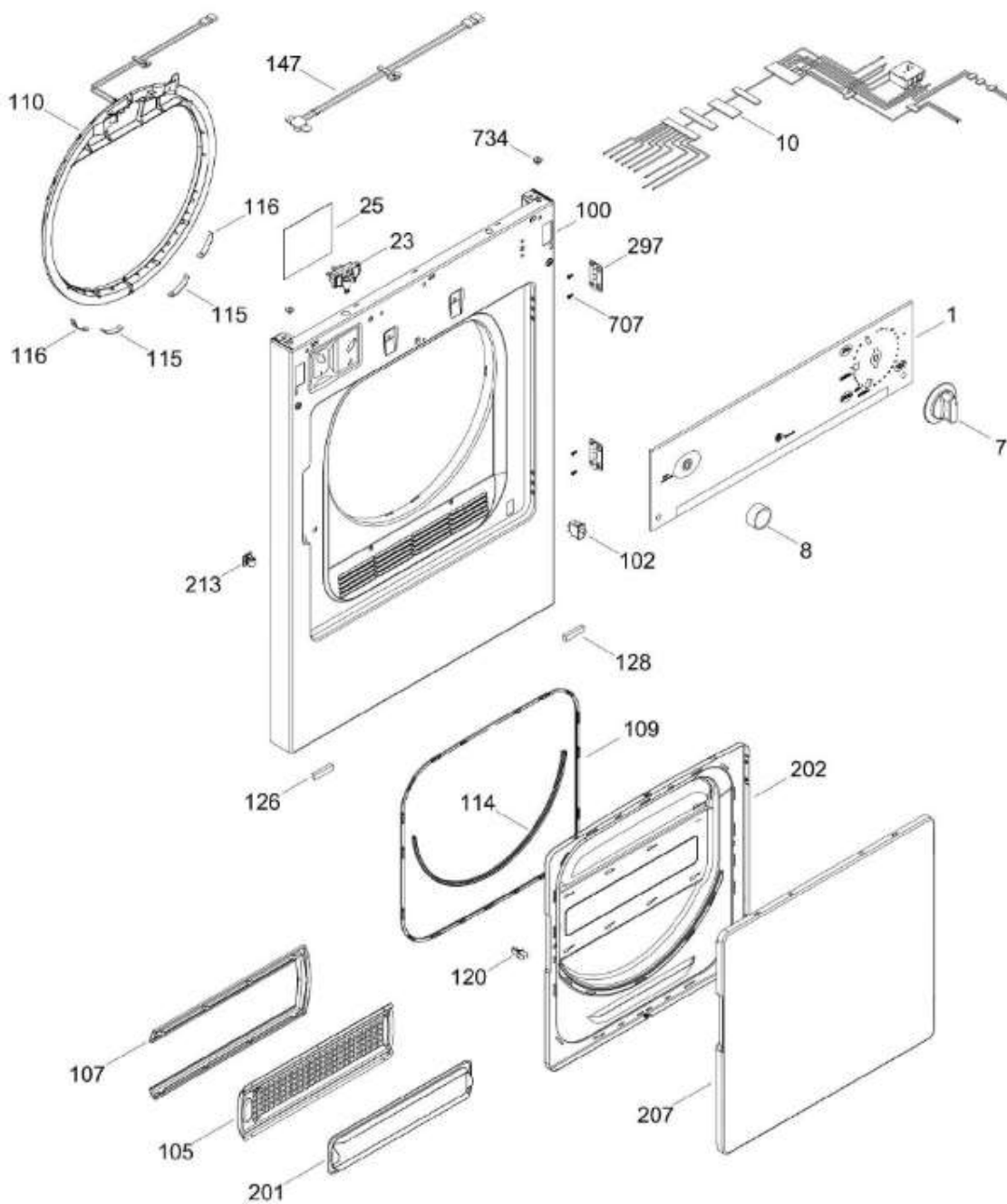


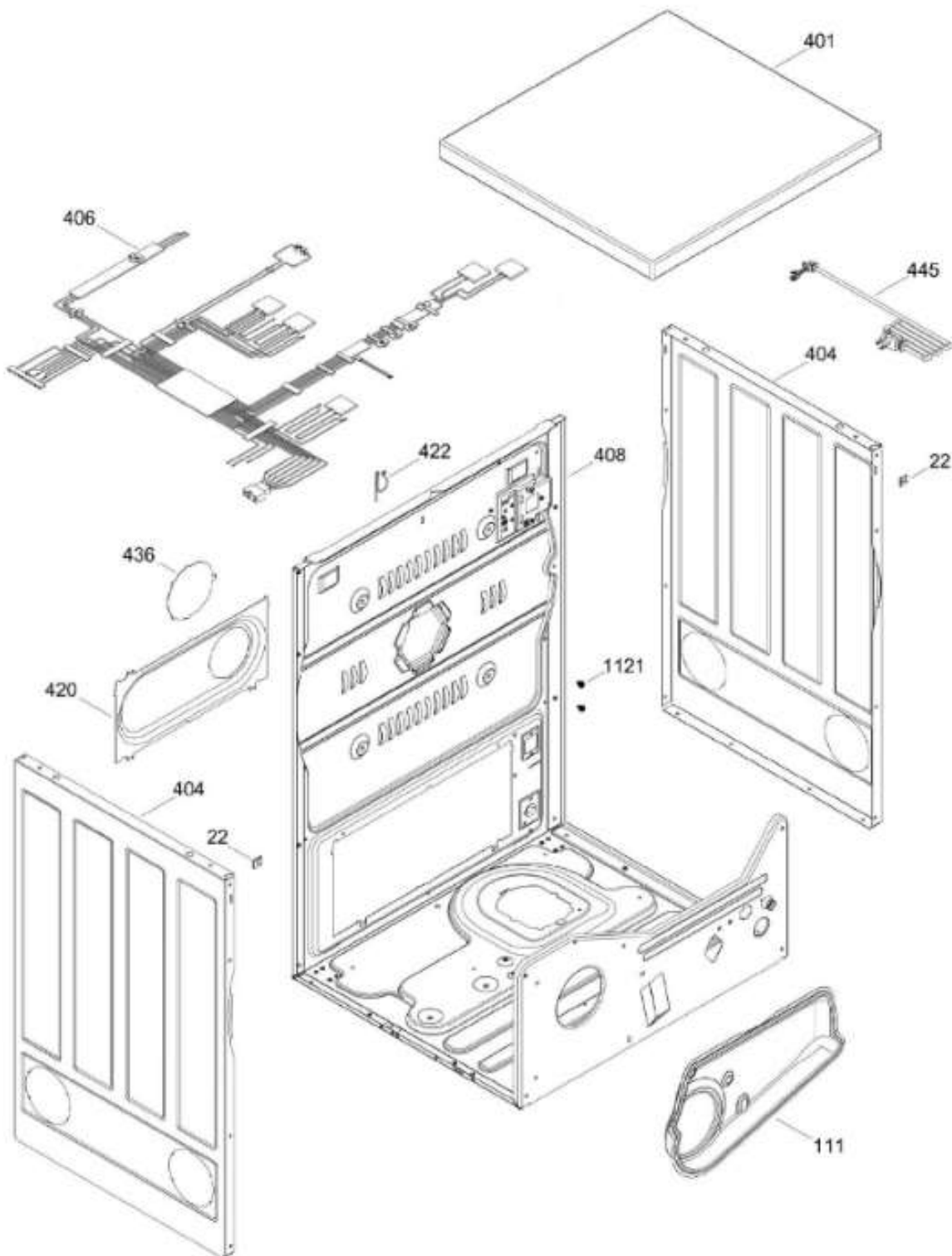
PUERTA (ENS) / DOOR (ASM)

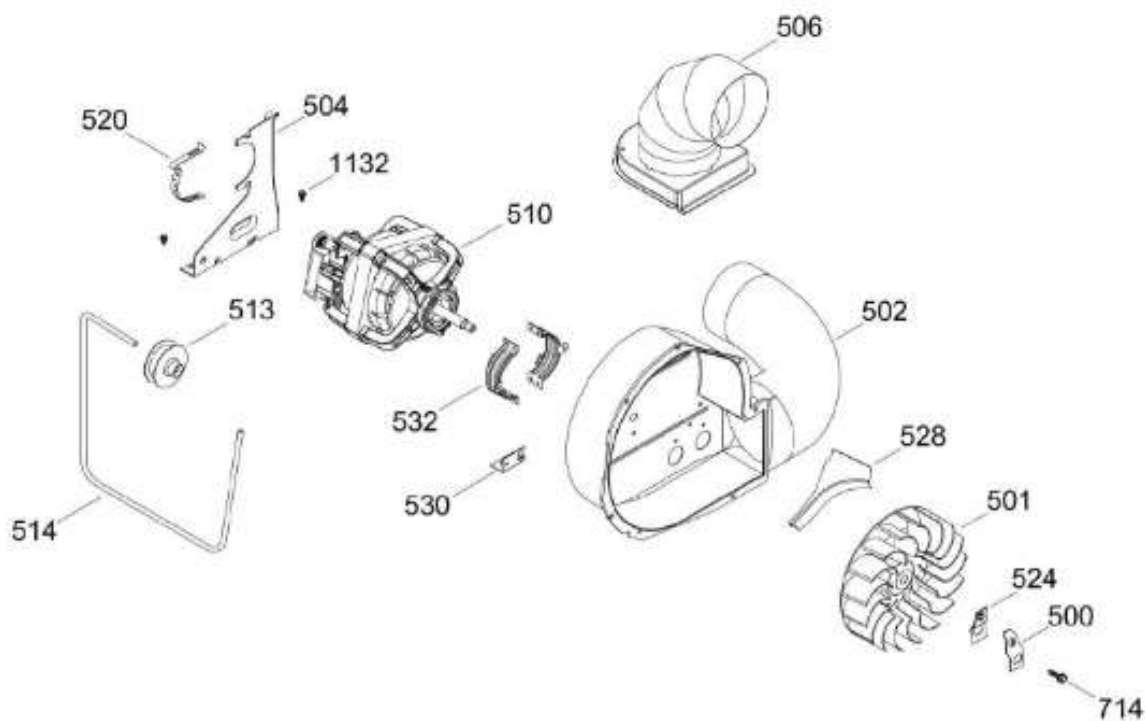
PSKS333EB6WW



GABINETE / STRUCTURE

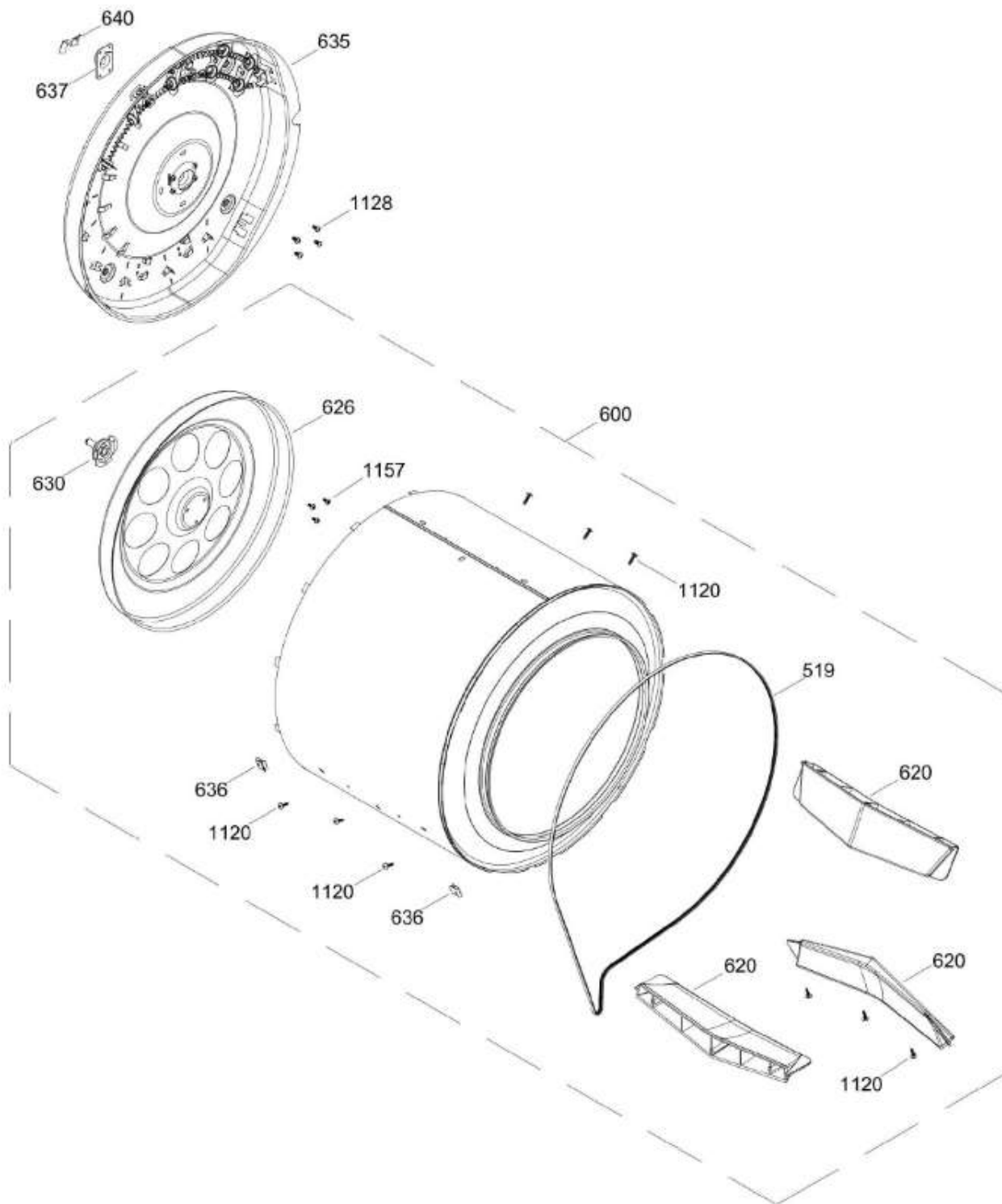
PSKS333EB6WW





TAMBOR (ENS) / DRUM (ASM)

PSKS333EB6WW



| Guía | Refacción | Descripción |
|------|------------|------------------------------|
| 1 | WW01F01495 | SWITCH TRIM |
| 7 | WW02F00177 | ENS. PERILLAS |
| 8 | WW02L00643 | PERILLA INTERRUPTOR ENSAMBLE |
| 10 | WW02F00520 | ARNES |
| 22 | WW03A00093 | TUERCA RAPIDA "U" 5/8 X 7/16 |
| 23 | WW02L00024 | INTERRUPTOR ARRANQUE |
| 25 | WW02F00155 | SHIELD CONTROL |
| 100 | WW03L00118 | PANEL FRONTAL(BCO) |
| 102 | WW02L00025 | INTERRUPTOR PUERTA |
| 105 | WW02L00179 | PARRILLA |
| 107 | WW02L00618 | MARCO REJILLA |
| 109 | WW03L00119 | SELLO PUERTA |
| 110 | WW01F01485 | COJINETE FRONTAL Y ARNES ENS |
| 111 | WW02F00181 | COLECTOR DE AIRE |
| 114 | WW02L00178 | SELLO PUERTA |
| 115 | WW01L01327 | COJINETE DESLIZABLE BLANCO |
| 116 | WW01L01328 | COJINETE DESLIZABLE VERDE |
| 120 | WW02A00004 | STRIKE |
| 126 | WW01A00537 | SELLO ESPUMA |
| 128 | WW01A00538 | SELLO ESPUMA |
| 147 | WW01F01486 | ARNES TERMOSTATO |
| 201 | WW03F00043 | ENS. FILTRO |
| 202 | WW03L00136 | CONTRA PUERTA (BCO) |
| 207 | WW02L00171 | PANEL PUERTA |
| 213 | WW02L00037 | LATCH ASM. |
| 297 | WW02L00028 | BISAGRA PUERTA |
| 401 | WW01L01322 | CUBIERTA SUPERIOR (BLANCA) |
| 404 | WW01L01323 | PANEL LATERAL BLANCO |
| 406 | WW02F00813 | HARNESS ELECT ASM |
| 408 | WW01L01331 | BASTIDOR BASE |
| 408 | NLA | BASTIDOR BASE |
| 420 | WW02L00163 | COVER BACK SERVICE |
| 422 | WW02F00022 | CORD SET RETAINER |
| 436 | WW03L00121 | CUBIERTA INTERIOR P/SERVICIO |
| 445 | WW02F00123 | CORD SET |
| 500 | WW02A00040 | ABRAZADERA VENTILADOR |
| 501 | WW02F00183 | VENTILADOR |
| 502 | WW01F01468 | CAJA VENTILADOR Y SELLO ENS |

| Guía | Refacción | Descripción |
|------|------------|---------------------------|
| 504 | WW02F00027 | SOPORTE MOTOR |
| 506 | WW01L01330 | EXHAUST ELBOW & PLATE ASM |
| 510 | WW02L00659 | ENSAMBLE MOTOR |
| 513 | WW03F00150 | POLEA |
| 514 | WW02F00171 | TENSOR |
| 519 | WW02A00083 | BELT DRIVE |
| 519 | WW02F00874 | BELT DRIVE |
| 520 | WW02F00031 | CLIP MOTOR |
| 524 | WW02A00041 | ABRAZADERA VENTILADOR |
| 528 | WW03L00122 | DEFLECTOR CAJA VENTILADOR |
| 530 | WW03A00097 | BRACKET BELT SWITCH |
| 532 | WW02F00003 | CORREA MOTOR |
| 532 | WW02A00232 | CORREA MOTOR |
| 600 | WW01F01467 | TAMBOR ENS |
| 600 | WW02F00872 | TAMBOR ENS |
| 620 | WW01L01324 | ALETA TAMBOR |
| 626 | WW03L00124 | DEFLECTOR |
| 630 | WW01F01489 | SOPORTE Y FLECHA ENSAMBLE |
| 635 | WW02L00450 | CALENTADOR ENSAMBLE |
| 635 | WW02L00450 | CALENTADOR ENSAMBLE |
| 636 | WW03A00098 | CLIP |
| 637 | WW02A00005 | RETENEDOR RODAMIENTO |
| 640 | WW02F00833 | SOPORTE TIERRA ENS |
| 707 | WW01A00539 | TORNILLO |
| 714 | WW02A00071 | TORNILLO |
| 734 | WW03A00156 | TORNILLO 8-18 AB PNQ2 |
| 1120 | WW02A00031 | TORNILLO |
| 1121 | WW01A00001 | TORNILLO |
| 1128 | WW02A00211 | TORNILLO ESTANDARIZANTE |
| 1132 | WW03A00099 | TORNILLO 5/16-12 / 1/4-20 |
| 1157 | WW01A00456 | TORNILLO #10 |