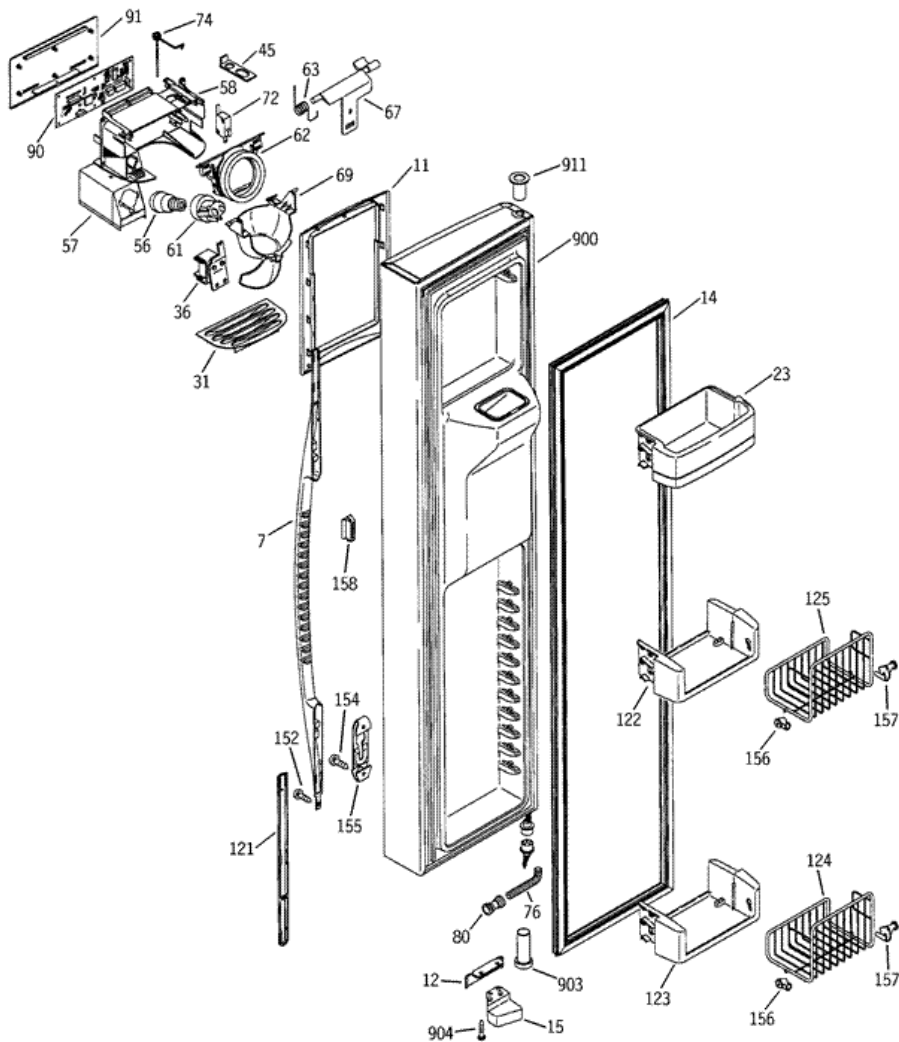


Distribuidor Autorizado

SurteRápido.com

Venta de Refacciones  
Electrodomesticas

## PSS25NGMBB FREEZER DOOR





## PSS25NGMBBB FREEZER DOOR

7	WR12X10437	HANDLE SXS ASM AD <b>DESCONTINUADO</b>
7	WR12X10406	HANDLE SXS ASM WH (S/P)
7	WR12X10430	HANDLE SXS ASM BK (S/P)
7	WR12X10432	HANDLE SXS ASM BQ (S/P)
11	WR38X10213	RECESS TRIM BOWED WH (S/P)
11	WR38X10219	RECESS TRIM BOWED BK (S/P)
11	WR38X10220	RECESS TRIM BOWED BQ (S/P)
11	WR38X10230	RECESS TRIM BOWED AD (S/P)
12	WR2X10823	STOP DOOR AD <b>DESCONTINUADO</b>
12	WR2X10690	STOP DOOR WH (S/P)
12	WR2X10786	STOP DOOR BQ (S/P)
12	WR2X10782	STOP DOOR BK (S/P)
14	WR24X10158	GASKET DOOR FZ BK (S/P)
14	WR24X10156	GASKET DOOR FZ WH (S/P)
15	WR2X10638	CAM CLOSURE FZ WH (S/P)
15	WR2X10780	CAM CLOSURE FZ BK (S/P)
23	WR71X10254	MODULE SHELF FZ FIXED (S/P)
31	WR17X11654	GRILLE RECESS WH (S/P)
31	WR17X11655	GRILLE RECESS BK (S/P)
31	WR17X11656	GRILLE RECESS BQ (S/P)
31	WR17X10923	GRILLE RECESS AD (S/P)
36	WR62X10055	SOLENOID ASM
45	WR2X8818	RETAINER RECESS DOOR (S/P)
56	WR2X12208	LIGHT DISPENSER (S/P)
57	WR2X10670	REFLECTOR LIGHT (S/P)
58	WR17X11080	HOUSING SHIELD DISP BQ (S/P)
58	WR17X10816	HOUSING SHIELD DISP AD <b>DESCONTINUADO</b>
58	WR49X10227	HOUSING SHIELD DISP WH (S/P)
58	WR17X11170	HOUSING SHIELD DISP BK (S/P)
61	WR2X9561	SOCKET LAMP E12 (S/P)
62	WR17X11653	DOOR RECESS ASM (S/P)
63	WR2X10585	SPRING RECESS DOOR (S/P)
67	WR17X10706	CRANK DOOR RECESS (S/P)

69	WR17X11264	FUNNEL ICE DISP WH (S/P)
69	WR17X10741	FUNNEL ICE DISP AD <b>DESCONTINUADO</b>
69	WR17X11267	FUNNEL ICE DISP BK (S/P)
69	WR17X11269	FUNNEL ICE DISP BQ (S/P)
72	WR23X10224	SWITCH (S/P)
74	WR49X10233	SPRING FUNNEL (S/P)
76	WR2X8933	SLEEVE WATER LINE (S/P)
80	WR2X10471	UNION CONNECTOR (S/P)
90	WR55X10195	BOARD ASM DISP
91	WR55X10298	CONTROL DISP ASM BK
91	WR55X10306	CONTROL DISP ASM BQ (S/P)
91	WR55X10305	CONTROL DISP ASM WH (S/P)
91	WR55X10075	CONTROL DISP ASM AD <b>DESCONTINUADO</b>
121	WR12X10436	TRIM HANDLE LOWER AD <b>DESCONTINUADO</b>
121	WR12X10405	TRIM HANDLE LOWER WH (S/P)
121	WR12X10431	TRIM HANDLE LOWER BQ (S/P)
121	WR12X10429	TRIM HANDLE LOWER BK (S/P)
122	WR71X10256	MODULE SUPPORT FZ (S/P)
123	WR71X10255	MODULE SUPPORT FZ (S/P)
124	WR21X10111	BASKET WIRE TILTOUT FZ (S/P)
125	WR21X10110	BASKET WIRE TILTOUT FZ (S/P)
152	WR1X10038	SCR 8-18 AB FLTR 5/8 S (S/P)
154	WR1X10213	SCR 8-18 AB RNT20 5/8 S (S/P)
155	WR2X10643	BRACKET HANDLE LOCK (S/P)
156	WR13X10130	HINGE TILTOUT FZ LH (S/P)
157	WR13X10131	HINGE TILTOUT FZ RH (S/P)
158	WR2X10646	TAIL MTNG HNDL RETNR (S/P)
900	WR78X11540	DOOR FOAM ASM FZ BK (S/P)
900	WR78X11737	DOOR FOAM ASM FZ WH (S/P)
900	WR78X11028	DOOR FOAM ASM FZ BQ (S/P)
900	WR78X10431	DOOR FOAM ASM FZ AD <b>DESCONTINUADO</b>
903	WR1X10244	THIMBL DOOR BTM FZ AD (S/P)
903	WR1X10234	THIMBLE DOOR BTM FZ BK (S/P)
903	WR1X10208	THIMBLE DOOR BTM FZ WH (S/P)
903	WR1X10237	THIMBLE DOOR BTM FZ BQ (S/P)
904	WR1X2134	SCR 10-32 PNT 1.0 S LW (S/P)
911	WR1X10236	THIMBLE DOOR TOP BQ (S/P)
911	WR1X10233	THIMBLE DOOR TOP BK (S/P)

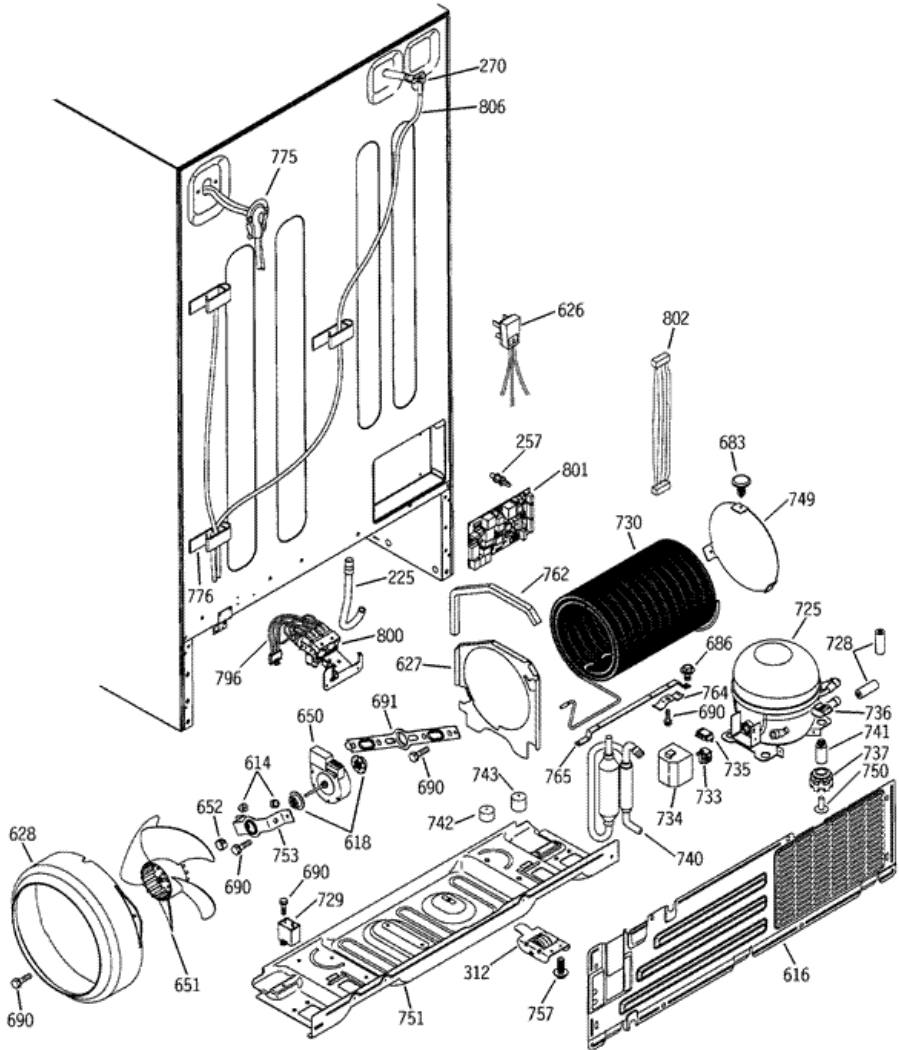
911	WR1X10207	THIMBLE DOOR TOP WH (S/P)
911	WR1X10243	THIMBLE DOOR TOP AD (S/P)

Distribuidor Autorizado

SurteRápido.com

Venta de Refacciones  
Electrodomesticas

## PSS25NGMBBB SEALED SYSTEM





## PSS25NGMBBB SEALED SYSTEM

225	WR2X11426	TUBE DRAIN (S/P)
257	WR2X10663	STAND OFF (S/P)
270	WR2X10967	GROMMET AND GASKET ASM (S/P)
312	WR2X12288	MOBILITY BACK ASM (S/P)
614	WR2X10540	BUMPER LID (S/P)
616	WR82X10100	COVER ACCESS ASM (S/P)
618	WR2X10520	GROMMET COND FAN (S/P)
626	WR1X5278	CLAMP CABLE (S/P)
626	WR23X10300	POWER CORD (S/P)
627	WR17X12713	BAFFLE CONDENSER (S/P)
628	WR17X12713	SHROUD CONDENSER (S/P)
650	WR60X10209	MOTOR DC COND FAN (S/P)
651	WR60X10206	BLADE COND FAN ASM (S/P)
652	WR2X12149	RING COMPRESSION FAN (S/P)
683	WR2X10562	FASTENER PUSH (S/P)
686	WR1X10194	SCR 10-32 TT HXW 5/16 S (S/P)
690	WR1X1466	SCR 8-32 T HXW 3/8 S (S/P)
691	WR2X10593	BRACKET COND FAN (REAR) (S/P)
725	WR87X10211	COMPRESSOR REPL ASM <b>DESCONTINUADO</b>
728	WR14X10055	GROMMET TUBING SLIT (S/P)
729	WR62X0079	CAPACITOR (S/P)
730	WR84X10022	CONDENSER REPL ASM (S/P)
733	WR7X10057	PTCR (S/P)
734	WR2X11557	COVER RELAY SNAP (MEI) (S/P)
735	WR8X10025	OVERLOAD (S/P)
736	WR2X8203	CLIP COMPRESSOR MOUNT (S/P)
737	WR2X10099	GROMMET (S/P)
740	WR86X96	DRYER BIFURCATED XH9 (S/P)
741	WR1X1779	STUD MTG COMPR (S/P)
742	WR2X10587	SUPPORT CONDENSER <b>DESCONTINUADO</b>
743	WR2X10588	SUPPORT CONDENSER <b>DESCONTINUADO</b>
749	WR17X11978	BAFFLE COND AIR (S/P)
750	WR1X1786	SCR 10-32 TR T 1/2 (S/P)

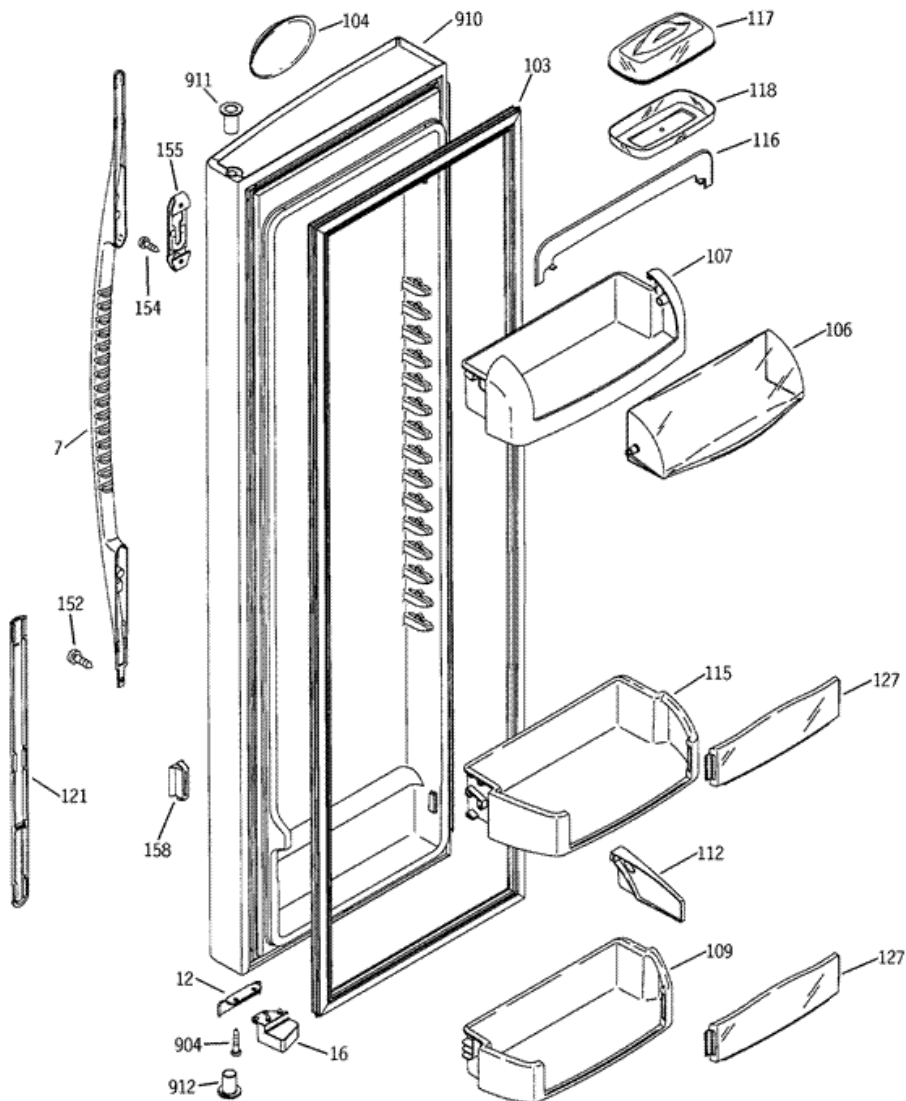
751	WR17X10693	BASEPLATE HIGH SIDE <b>DESCONTINUADO</b>
753	WR2X11863	BRACKET COND FAN (MTG) <b>(S/P)</b>
757	WR1X10194	SCR 10-32 SPECIAL <b>(S/P)</b>
762	WR14X10053	FOAM STRIP SE ADH <b>(S/P)</b>
764	WR2X9000	CLIP, CONDENSER MOUNT <b>(S/P)</b>
765	WR17X10695	BRACKET CONDENSER BAR <b>(S/P)</b>
775	WR17X10796	COVER WATER LINE <b>(S/P)</b>
776	WR2X10522	CLAMP TUBE <b>(S/P)</b>
796	WR23X10168	HARNESS WATER VALVE <b>DESCONTINUADO</b>
800	WR57X10032	WATER VALVE ASM <b>(S/P)</b>
801	WR55X10942	BOARD ASM MAIN CONTROL
802	WR23X10505	HARNESS BOARD INDIV <b>(S/P)</b>
806	WR17X11625	TUBE PLASTIC <b>(S/P)</b>

Distribuidor Autorizado

SurteRápido.com

Venta de Refacciones  
Electrodomesticas

# PSS25NGMBB FRESH FOOD DOOR







## PSS25NGMBBB FRESH FOOD DOOR

7	WR12X10406	HANDLE SXS ASM WH (S/P)
7	WR12X10430	HANDLE SXS ASM BK (S/P)
7	WR12X10432	HANDLE SXS ASM BQ (S/P)
7	WR12X10437	HANDLE SXS ASM AD <b>DESCONTINUADO</b>
12	WR2X10690	STOP DOOR WH (S/P)
12	WR2X10786	STOP DOOR BQ (S/P)
12	WR2X10782	STOP DOOR BK (S/P)
12	WR2X10823	STOP DOOR AD <b>DESCONTINUADO</b>
16	WR2X10637	CAM CLOSURE FF WH (S/P)
16	WR2X10779	CAM CLOSURE FF BK (S/P)
103	WR24X10157	GASKET DOOR FF BK (S/P)
103	WR24X10155	GASKET DOOR FF WH (S/P)
104	WR4X10085	NAMEPLATE REF AD <b>DESCONTINUADO</b>
104	WR4X10080	LENS NAMEPLATE WH (S/P)
104	WR4X10103	NAMEPLATE REF BK (S/P)
104	WR4X10104	NAMEPLATE REF BQ (S/P)
106	WR22X10022	DOOR DAIRY CLEAR (S/P)
107	WR22X10021	COMPARTMENT DAIRY (S/P)
109	WR71X10605	MODULE SHELF FF (S/P)
112	WR2X10582	SNUGGER (S/P)
115	WR71X10607	MODULE SHELF FF (S/P)
116	WR22X10023	TRIM DAIRY COMPARTMENT (S/P)
117	WR22X10059	LID DISH BUTTER (S/P)
118	WR22X10018	DISH BUTTER (S/P)
121	WR12X10431	TRIM HANDLE LOWER BQ (S/P)
121	WR12X10405	TRIM HANDLE LOWER WH (S/P)
121	WR12X10429	TRIM HANDLE LOWER BK (S/P)
121	WR12X10436	TRIM HANDLE LOWER AD <b>DESCONTINUADO</b>
127	WR71X10243	INSERT MODULE (S/P)
152	WR1X10038	SCR 8-18 AB FLTR 5/8 S (S/P)
154	WR1X10213	SCR 8-18 AB RNT20 5/8 S (S/P)
155	WR2X10643	BRACKET HANDLE LOCK (S/P)
158	WR2X10646	TAIL MTNG HNDL RETNR (S/P)

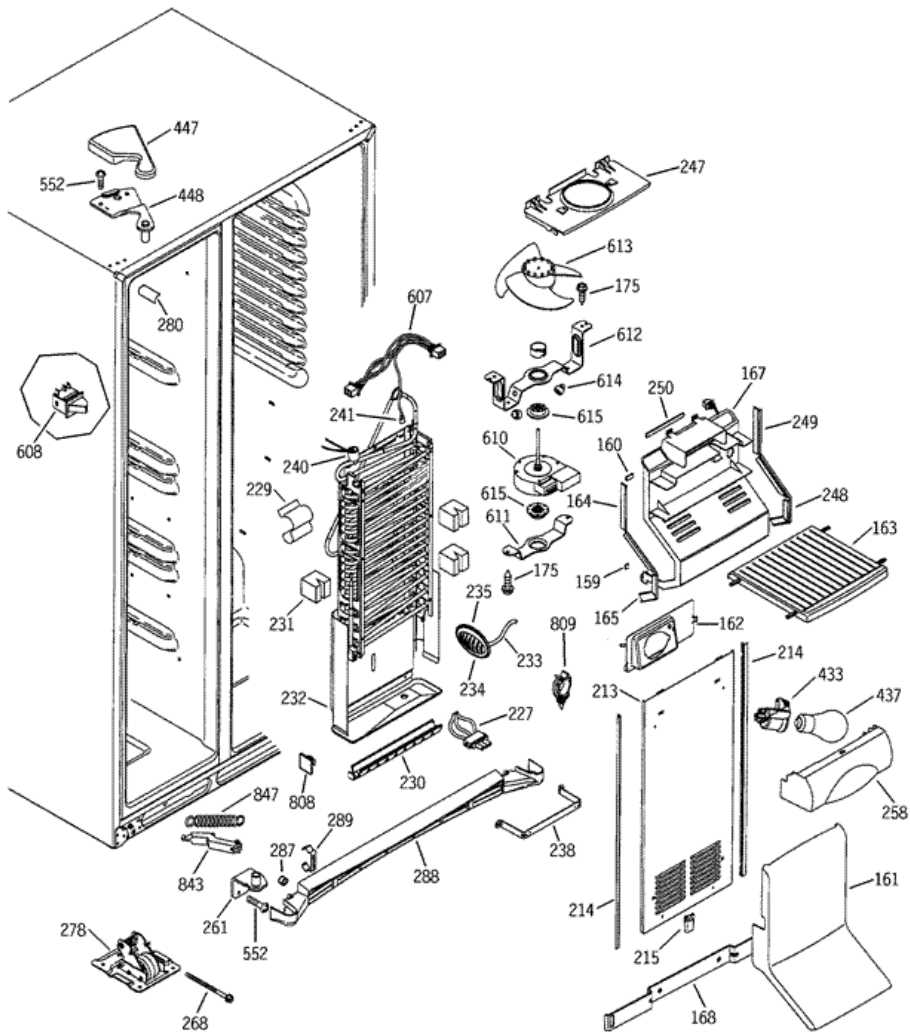
904	WR1X2134	SCR 10-32 PNT 1.0 S LW (S/P)
910	WR78X10404	DOOR FOAM ASM FF BQ (S/P)
910	WR78X11791	DOOR FOAM ASM FF WH (S/P)
910	WR78X11790	DOOR FOAM ASM FF BK (S/P)
910	WR78X10430	DOOR FOAM ASM FF AD <b>DESCONTINUADO</b>
911	WR1X10243	THIMBLE DOOR TOP AD (S/P)
911	WR1X10207	THIMBLE DOOR TOP WH (S/P)
911	WR1X10236	THIMBLE DOOR TOP BQ (S/P)
911	WR1X10233	THIMBLE DOOR TOP BK (S/P)
912	WR1X10235	THIMBLE DOOR BTM BQ (S/P)
912	WR1X10242	THIMBLE DOOR BOT AD <b>DESCONTINUADO</b>
912	WR1X10206	THIMBLE DOOR BTM WH (S/P)
912	WR1X10232	THIMBLE DOOR BTM BK (S/P)

Distribuidor Autorizado

SurteRápido.com

Venta de Refacciones  
Electrodomesticas

## PSS25NGMBB FREEZER SECTION





## PSS25NGMBBB FREEZER SECTION

159	WR14X10067	FOAM STRIP SE ADH (S/P)
160	WR14X10068	FOAM STRIP SE ADH (S/P)
161	WR17X10899	TOWER AIR FZ LOWER (S/P)
162	WR2X10634	REFLECTOR FZ (S/P)
163	WR71X10252	SHELF FZ UPPER (S/P)
164	WR14X10074	GASKET PLENUM (S/P)
165	WR14X10065	GASKET PLENUM (S/P)
167	WR17X11124	PLENUM FAN EVAPORATOR (S/P)
168	WR2X10674	BRACKET FZ TOWER LOWER (S/P)
175	WR1X10652	SCR 8-18 AB IHW 5/8 S (S/P)
213	WR17X10868	COVER EVAPORATOR FRONT (S/P)
213	WR17X10836	COVER EVAPORATOR FRONT (S/P)
214	WR14X10061	GASKET EVAP COVER (S/P)
214	WR14X10072	GASKET EVAP COVER (S/P)
215	WR1X10211	BRACKET FZ TOWER UPPER (S/P)
227	WR23X10290	HARNESS DEF HEATER (S/P)
229	WR2X10552	CLIP EVAP THERMISTOR (S/P)
230	WR51X10055	HEATER & BRACKET ASM
231	WR2X10669	BLOCK EVAP SEAL (S/P)
232	WR17X10811	SHIELD TROUGH ASM (S/P)
233	WR55X10025	SENSOR TEMP FZ
234	WR2X10647	GRILLE SENSOR (S/P)
235	WR2X10668	SHUNT SENSOR (S/P)
238	WR2X10667	BRACKET EVAP COVER (S/P)
240	WR50X10054	DEFROST THERMOSTAT
241	WR55X10025	SENSOR TEMP FF
247	WR17X10812	ORIFICE FAN ASM (S/P)
248	WR14X10066	GASKET PLENUM (S/P)
249	WR14X10073	GASKET PLENUM (S/P)
250	WR14X10069	FOAM STRIP SE ADH (S/P)
258	WR17X10840	SHIELD LIGHT FZ (S/P)
261	WR13X10164	HINGE BTM & PIN ASM AD <b>DESCONTINUADO</b>
261	WR13X10165	HINGE BTM & PIN ASM BQ (S/P)

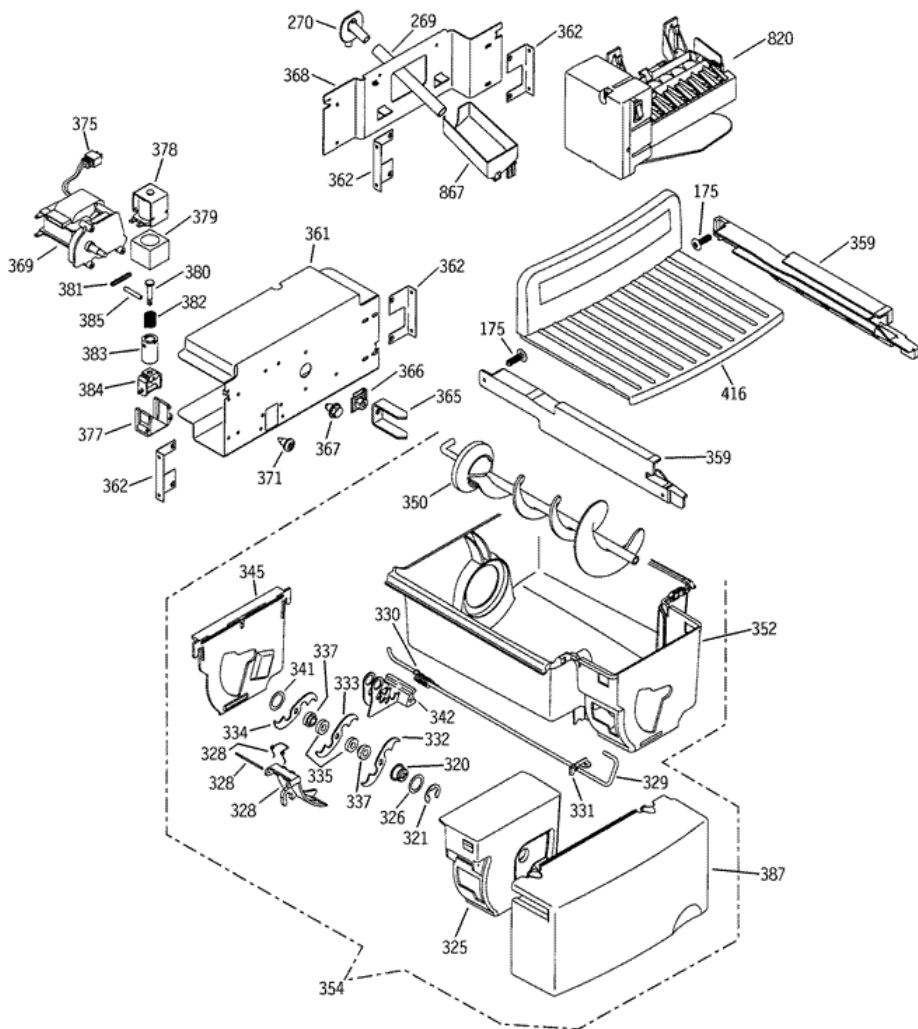
261	WR13X10137	HINGE BTM & PIN ASM WH (S/P)
261	WR13X10160	HINGE BTM & PIN ASM BK (S/P)
268	WR1X10210	SCREW MOBILITY 3.5 (S/P)
278	WR2X12274	MOBILITY FRONT ASM (S/P)
280	WR2X10640	CAP CORNER OC WH (S/P)
280	WR2X10781	CAP CORNER OC BK (S/P)
280	WR2X10828	CAP CORNER OC AD (S/P)
280	WR2X10785	CAP CORNER OC BQ (S/P)
287	WR2X10836	SPACER GRILL BASE <b>DESCONTINUADO</b>
288	WR74X10271	GRILL BASE ASM WH (S/P)
288	WR74X10270	GRILL BASE ASM BK (S/P)
288	WR74X10076	GRILL BASE ASM AD <b>DESCONTINUADO</b>
288	WR74X10272	GRILL BASE ASM BQ (S/P)
289	WR2X7646	CLIP BASE GRILLE (S/P)
433	WR2X9391	SOCKET & TERMINAL ASM
437	60A	LAMP 60 W (S/P)
447	WR2X10687	COVER HINGE WH (S/P)
447	WR2X10787	COVER HINGE BQ (S/P)
447	WR2X10783	COVER HINGE BK (S/P)
447	WR2X10802	COVER HINGE AD <b>DESCONTINUADO</b>
448	WR13X10216	HINGE TOP & PIN ASM (S/P)
552	WR1X2022	SCR 12-24 TT OVT .900 S (S/P)
607	WR23X10223	HARNESS DC FZ INTERMED. (S/P)
608	WR23X10179	SWITCH LIGHT (S/P)
610	WR60X10154	MOTOR DC EVAP FAN
611	WR2X10548	BRACKET EVAP FAN BTM (S/P)
612	WR2X10653	BRACKET ORIFICE FAN (S/P)
613	WR60X10205	BLADE EVAP FAN ASM (S/P)
614	WR2X10540	BUMPER LID (S/P)
615	WR2X12008	GROMMET EVAP FAN (S/P)
808	WR2X4039	ADHESIVE CLIP (S/P)
809	WR1X1936	FASTENER WATER TUBE (S/P)
843	WR11X10010	LEVER ASM FZ SIDE BK (S/P)
843	WR11X10012	LEVER ASM FZ SIDE BQ (S/P)
843	WR11X10008	LEVER ASM FZ SIDE WH (S/P)
843	WR11X10014	LEVER ASM FZ SIDE AD (S/P)
847	WR1X2027	SPRING CLOSURE (S/P)

Distribuidor Autorizado

SurteRápido.com

Venta de Refacciones  
Electrodomesticas

## PSS25NGMBBB ICE MAKER & DISPENSER





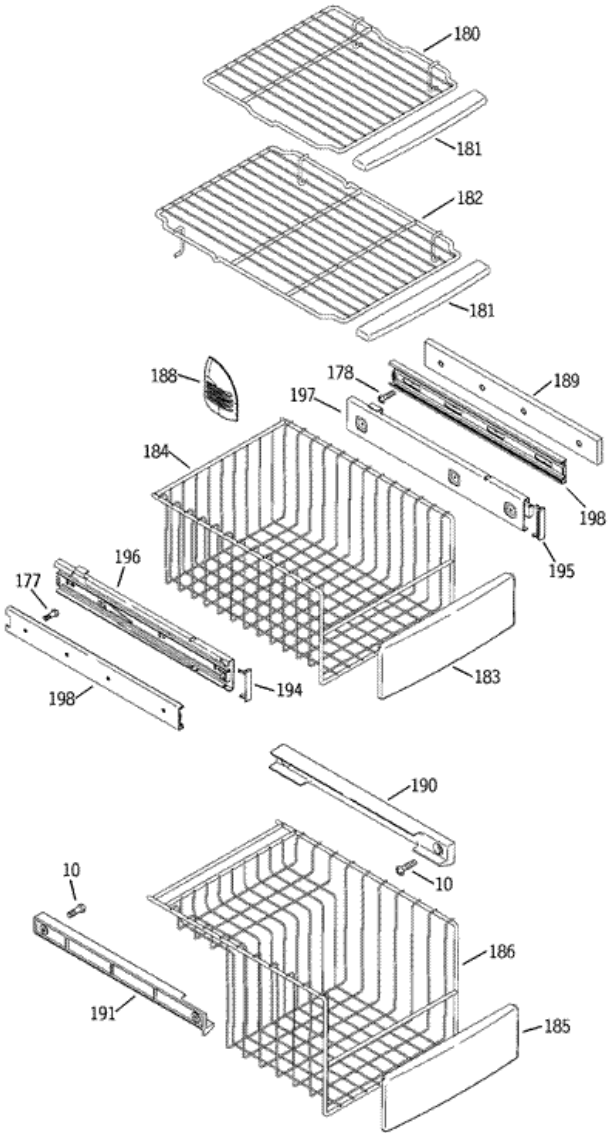
## PSS25NGMBBB ICE MAKER & DISPENSER

175	WR1X10035	SCR 8-18 AB IHW 5/8 S (S/P)
269	WR17X11168	FILL TUBE ASM (S/P)
270	WR2X10967	GROMMET AND GASKET ASM (S/P)
320	WR1X10189	NUT AUGER FRT DISP (S/P)
321	WR1X1367	RETAINER RING E (S/P)
325	WR17X11505	HOUSING CRUSHER DISP (S/P)
326	WR1X1366	WASHER (S/P)
328	WR2X4143	PIN DEFLECTOR DISP (S/P)
328	WR2X4561	SPRING ICE DEFLECTOR (S/P)
328	WR17X10703	DEFLECTOR ICE DISP (S/P)
329	WR17X11403	WIRE ACTUATOR DISP (S/P)
330	WR2X11768	SPRING DEFLECTOR (S/P)
331	WR2X10580	RETAINER SPRING (S/P)
332	WR17X1361	BLADES MOVING DISP (S/P)
333	WR17X1362	BLADES MOVING DISP (S/P)
334	WR17X1363	BLADES MOVING DISP (S/P)
335	WR2X4139	SPACER (S/P)
337	WR2X4138	SPACER CRUSHER STATIONAR (S/P)
341	WR29X10045	WASHER CRUSHER BLADE (S/P)
342	WR2X10691	STATIONARY BLADES ASM (S/P)
345	WR17X11497	COVER CRUSHER HSG DISP (S/P)
350	WR17X11939	AUGER ASM DISP (S/P)
352	WR30X10076	BUCKET ICE DISP (S/P)
354	WR17X12111	BUCKET & AUGER ASM (S/P)
359	WR72X10144	GLIDE BUCKET LH DISP (S/P)
359	WR72X10145	GLIDE BUCKET RH DISP (S/P)
361	WR17X10702	COVER MOTOR & SOLENOID <b>DESCONTINUADO</b>
362	WR2X10656	BRACKET ANGLE (S/P)
365	WR2X11941	DRIVE AUGER DISP (S/P)
366	WR1X10190	NUT J (S/P)
367	WR1X10198	SCR 8-18 TPT 1/4 (S/P)
368	WR2X10982	BRACKET IM (S/P)
369	WR60X10258	MOTOR CRUSHER DISP (S/P)

371	WR1X10192	SCR 10-18 HI/LO HXW 1/2 (S/P)
375	WR23X10172	HARNESS MOTOR & SOL (S/P)
377	WR2X7309	SADDLE SOLENOID (S/P)
378	WR62X58	SOLENOID ARM ASM
379	WR17X1063	SHROUD SOLENOID (S/P)
380	WR17X1064	PLUNGER SOLENOID (S/P)
381	WR2X4257	PIN SPIRAL (S/P)
382	WR2X4258	SPRING SOLENOID LINKAGE (S/P)
383	WR17X1065	COLLAR SOLENOID DISP (S/P)
384	WR17X1066	STIRRUP SOLENOID DISP (S/P)
385	WR2X4259	PIN SPIRAL (S/P)
387	WR17X11032	COVER BUCKET DISP (S/P)
416	WR71X10314	SHELF CHILLER (S/P)
820	WR30X10012	ICEMAKER ASM
867	WR29X10064	CUP FILL IM (S/P)



# PSS25NGMBB FREEZER SHELVES





## PSS25NGMBBB FREEZER SHELVES

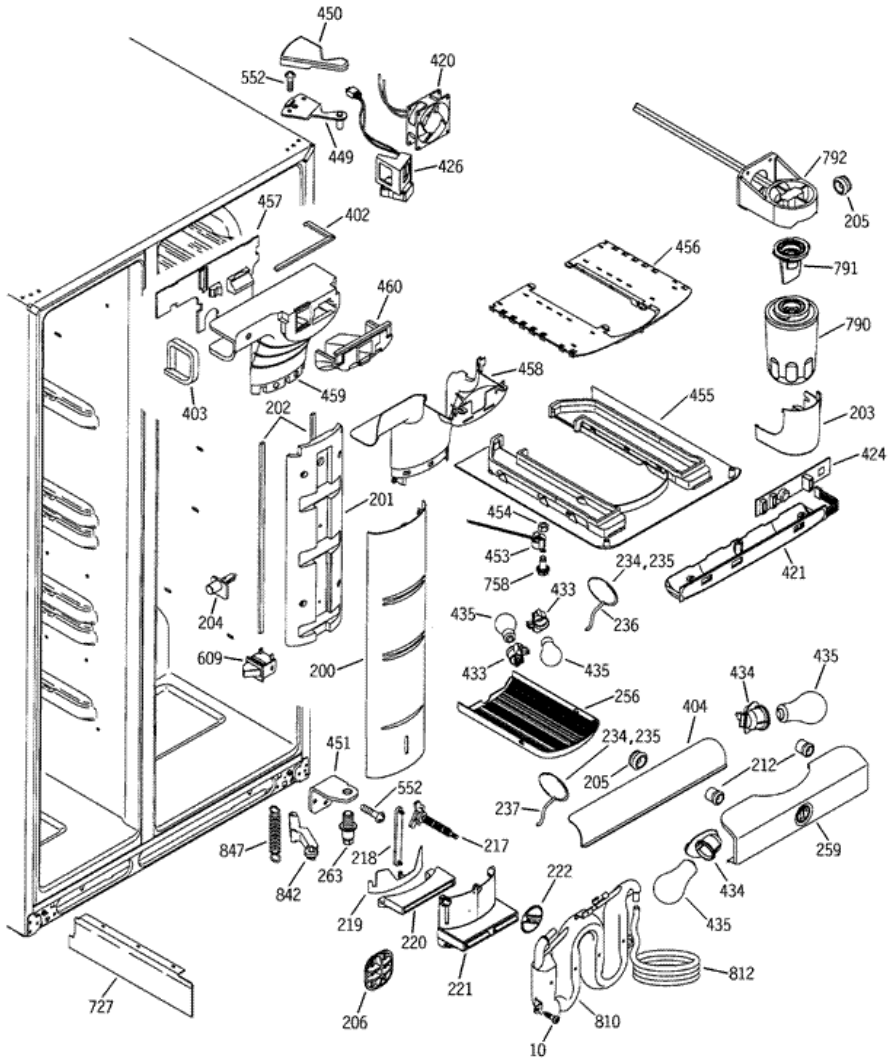
10	WR1X10065	SCR 8-18 BA POR 5/8 SS (S/P)
177	WR1X10240	8-18 X 7/16 TX PH WH (S/P)
178	WR1X10241	8-18 X 13/16 TX PH WH (S/P)
180	WR71X10259	SHELF FIXED FZ (S/P)
181	WR38X10214	TRIM SHELF FZ (S/P)
182	WR71X10703	SHELF SLIDEOUT FZ (S/P)
183	WR12X10625	HANDLE (S/P)
184	WR21X10032	BASKET FZ LONG (S/P)
185	WR21X10034	HANDLE (S/P)
186	WR21X10035	BASKET WIRE FZ SHORT (S/P)
188	WR2X10837	GRILL BASKET (S/P)
189	WR17X10913	SPACER (S/P)
190	WR17X10916	SLIDE BASKET R.H. (S/P)
191	WR17X10917	SLIDE BASKET L.H. (S/P)
194	WR2X10810	COVER L.H. (S/P)
195	WR2X10811	COVER R.H. (S/P)
196	WR49X10145	SLIDE & BRACKET ASM L.H. (S/P)
197	WR49X10145	SLIDE & BRACKET ASM R.H. (S/P)
198	WR49X10145	SLIDE LINER (S/P)

Distribuidor Autorizado

SurteRápido.com

Venta de Refacciones  
Electrodomesticas

## PSS25NGMBB FRESH FOOD SECTION



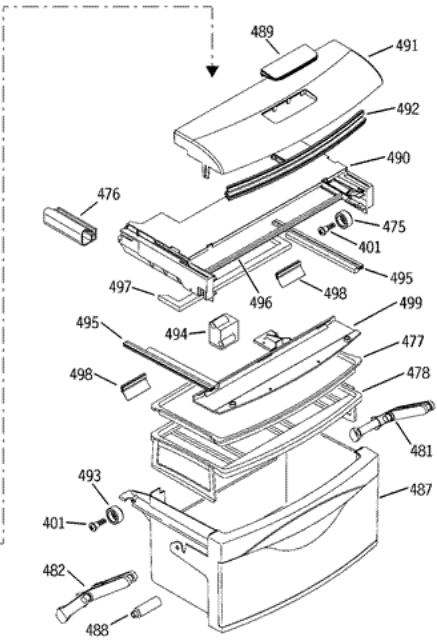
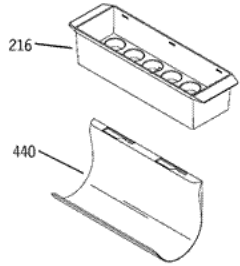
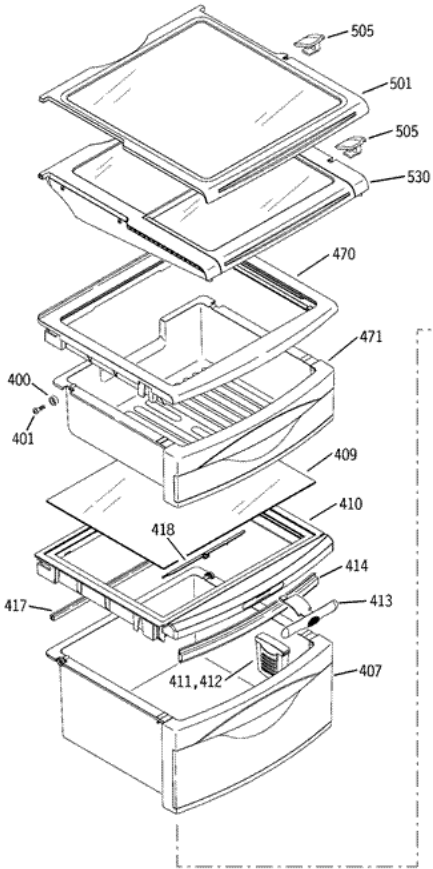


## PSS25NGMBBB FRESH FOOD SECTION

10	WR1X10065	SCR 8-18 BA POR 5/8 SS (S/P)
200	WR17X10802	COVER FF TOWER (S/P)
201	WR17X10803	EPS FF TOWER (S/P)
202	WR14X10062	GASKET FF TOWER (S/P)
203	WR17X10800	COVER WATER FILTER (S/P)
204	WR49X10135	FRAME SUPPORT PINS (S/P)
205	WR2X10678	GROMMET (S/P)
206	WR2X10671	GRILLE AIR RETURN (S/P)
212	WR2X10689	GROMMET BASE GRILLE (S/P)
217	WR32X10154	DIAL PAN CHILL (S/P)
218	WR2X10665	LINKAGE PAN CHILL (S/P)
219	WR2X10664	SHUTTER PAN CHILL (S/P)
220	WR2X10644	EPS PAN CHILL (S/P)
221	WR2X10641	DISCHARGE PAN CHILL (S/P)
222	WR2X10666	KNOB PAN CHILL (S/P)
234	WR2X10647	GRILLE SENSOR (S/P)
235	WR2X10668	SHUNT SENSOR (S/P)
236	WR55X10025	SENSOR TEMP FF
237	WR55X10025	SENSOR TEMP FF
256	WR17X10839	SHIELD LIGHT FF (S/P)
259	WR17X10801	LIGHT SHIELD (S/P)
263	WR2X12263	PIN HINGE BTM ADJ HOLLOW (S/P)
402	WR49X10091	GASKET FF INLET
403	WR49X10091	GASKET FF INLET
404	WR17X11609	DIVERTER FF AIR FLOW (S/P)
420	WR49X10091	DC FRESH FOOD FAN
421	WR49X10095	CONTROL CUSTOMER ASM (S/P)
424	WR55X10120	BOARD ASM TEMP CONTROL
426	WR49X10091	DAMPER ASM
433	WR2X9391	SOCKET & TERMINAL ASM
434	WR2X10645	SOCKET LAMP (S/P)
435	STD372402	LAMP 40 W (S/P)
449	WR13X10217	HINGE TOP & PIN ASM (S/P)

450	WR2X10688	COVER HINGE WH (S/P)
450	WR2X10784	COVER HINGE BK (S/P)
450	WR2X10788	COVER HINGE BQ (S/P)
450	WR2X10803	COVER HINGE AD (S/P)
451	WR13X10169	HINGE BTM AD (S/P)
451	WR13X10134	HINGE BTM WH (S/P)
451	WR13X10159	HINGE BTM BK (S/P)
453	WR23X10209	HARNESS/TSTAT FF LT (S/P)
454	WR1X10212	NUT 8-32 (S/P)
455	WR17X10805	COVER FF TUNNEL ASM (S/P)
456	WR17X11065	BEZEL LIGHT FF (S/P)
457	WR49X10091	EPS BACK FF INLET ASM
458	WR49X10091	COVER FF INLET
459	WR49X10091	EPS FF INLET ASM
460	WR49X10091	EPS BRIDGE FF INLET
552	WR1X2022	SCR 12-24 TT OVT .900 S (S/P)
609	WR23X10530	SWITCH LIGHT (S/P)
727	WR17X10820	SEPARATOR AIR HISIDE (S/P)
758	WD2X323	SCR 8-32 X 3/8 SPH <b>DESCONTINUADO</b>
790	MWF	FILTER CANISTER
791	WR2X11705	PLUG BYPASS FILTER (S/P)
792	WR17X11618	FILTER ASM AND TUBE (S/P)
810	WR17X10734	WATER TANK & TUBE ASM (S/P)
812	WR17X2891	TUBE PLASTIC (S/P)
842	WR11X10013	LEVER ASM FF SIDE AD <b>DESCONTINUADO</b>
842	WR11X10007	LEVER ASM FF SIDE WH (S/P)
842	WR11X10009	LEVER ASM FF SIDE BK (S/P)
842	WR11X10011	LEVER ASM FF SIDE BQ (S/P)
847	WR1X2027	SPRING CLOSURE (S/P)

**PSS25NGMBB FRESH FOOD  
 SHELVES**





## PSS25NGMBBB FRESH FOOD SHELVES

216	WR32X10150	BUCKET EGG <b>DESCONTINUADO</b>
400	WR01X10209	WHEEL PAN COVER (S/P)
401	WR01X10214	SCR 10-16 PL PNP 5/8 SZN (S/P)
407	WR32X10190	PAN MIDDLE CHILL ASM (S/P)
409	WR32X10156	GLASS PAN COVR (S/P)
410	WR32X10151	COVER MIDDLE PAN (S/P)
411	GFSFR02	FRESHSAVER FILTER 2PK (S/P)
412	WR02X10684	HOLDER FRESHSAVER (S/P)
413	WR02X10650	HUMIDITY CONTROL (S/P)
414	WR14X10059	GASKET PAN CRV FRONT (S/P)
417	WR14X10058	GASKET PAN CRV REAR (S/P)
418	WR02X10633	SLIDE MIDDLE PAN COVER (S/P)
440	WR17X10793	WINE RACK (S/P)
470	WR32X10566	COVER TOP PAN ASM (S/P)
471	WR32X10147	PAN ASM TOP (S/P)
475	WR02X10861	WHEEL FRAME FRONT (S/P)
476	WR14X10102	GASKET PAN CRV REAR (S/P)
477	WR17X10921	TRAY DRIP CHILL (S/P)
478	WR17X10922	RACK CHILL (S/P)
481	WR02X10819	LINKAGE PAN CHILL R.H. (S/P)
482	WR02X10818	LINKAGE PAN CHILL L.H. (S/P)
487	WR32X10189	PAN ASM CHILL (S/P)
488	WR02X10815	BOSS SPACER (S/P)
489	WR32X10146	NAMEPLATE CHILL (S/P)
490	WR17X10993	FRAME CHILL (S/P)
491	WR32X10146	COVER FRONT CHILL (S/P)
492	WR14X10105	SEAL FRONT CHILL (S/P)
493	WR02X10807	WHEEL AND RING ASM (S/P)
494	WR02X10813	MAGNET CHILL (S/P)
495	WR14X10098	SEAL SIDES CHILL (S/P)
496	WR14X10104	SEAL MIDDLE CHILL (S/P)
497	WR14X10100	SEAL FRAME & AHU CHILL (S/P)
498	WR14X10106	SEAL REAR CHILL (S/P)

499	WR17X10918	PLATE SEAL CHILL <b>(S/P)</b>
501	WR71X10582	SHELF SLIDEOUT ASM <b>(S/P)</b>
505	WR2X10662	STOP SHELF <b>(S/P)</b>
530	WR71X10613	SHELF TUCKAWAY ASM <b>(S/P)</b>

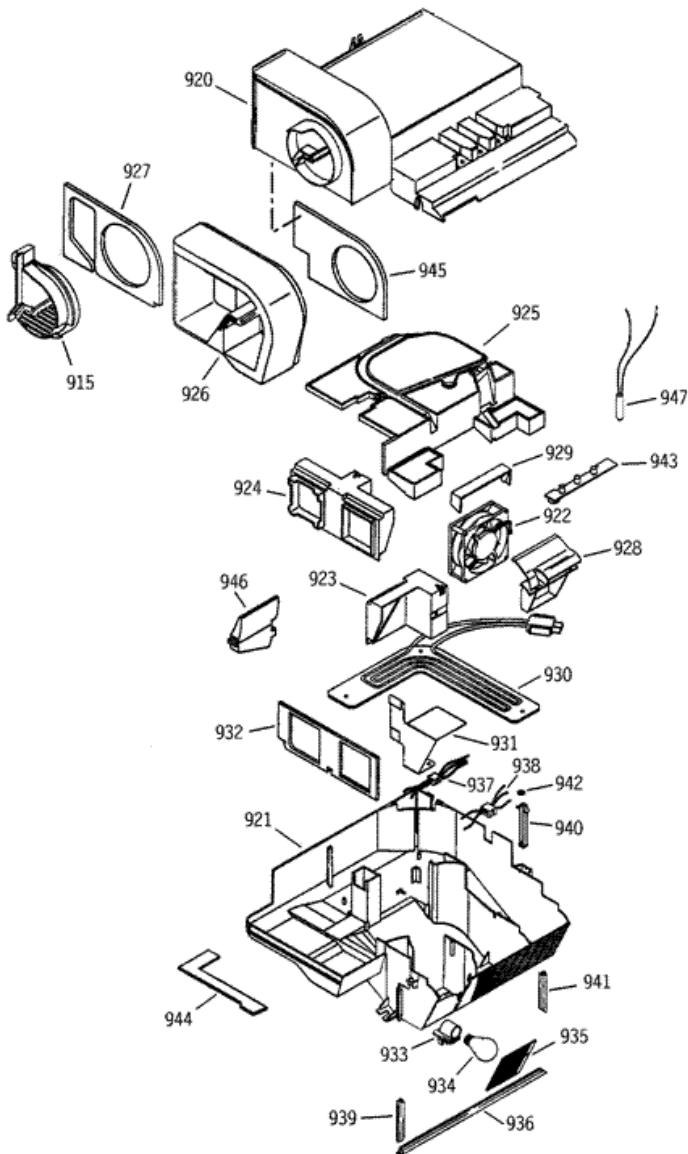


Distribuidor Autorizado

SurteRápido.com

Venta de Refacciones  
Electrodomesticas

## PSS25NGMBB CUSTOM COOL





## PSS25NGMBBB CUSTOM COOL

915	WR02X10808	GRILL MULLION (S/P)
920	WR31X10008	COVER UPPER (S/P)
921	WR31X10043	COVER LOWER (S/P)
922	WR60X10227	FAN CHILL (S/P)
923	WR60X10063	DAMPER ASM DESUPPLY (S/P)
924	WR60X10062	DAMPER ASM SUPPLY (S/P)
925	WR31X10007	PLENUM TOP (S/P)
926	WR31X10009	DUCT CAVITY CHILL (S/P)
927	WR14X10095	GASKET MULLION DUCT (S/P)
928	WR31X10043	GRILL VANES CHILL (S/P)
929	WR02X10820	COVER LED CHILL (S/P)
930	WR51X10081	HEATER THAW (S/P)
931	WR02X10809	REFLECTOR (S/P)
932	WR14X10096	GASKET DAMPER CHILL (S/P)
933	WR31X10012	LIGHT SOCKET CHILL (S/P)
934	WR02X10812	LAMP 40W CHILL (S/P)
935	WR31X10010	GRILL BULB CHILL (S/P)
936	WR14X10092	SEAL AHU CHILL (S/P)
937	WR23X10203	HARNESS CHILL AC (S/P)
938	WR23X10202	HARNESS CHILL DC (S/P)
939	WR14X10090	SEAL AHU CHILL (S/P)
940	WR23X10204	SWITCH REED CHILL (S/P)
941	WR14X10091	SEAL AHU CHILL (S/P)
942	WR01X10239	WASHER RETAINER CHILL (S/P)
943	WR55X10091	BOARD ASM PAN LED (S/P)
944	WR14X10093	GASKET LC (S/P)
945	WR14X10094	GASKET UC (S/P)
946	WR31X10013	NOISE WALL CHILL <b>DESCONTINUADO</b>
947	WR55X10025	SENSOR TEMPERATURE