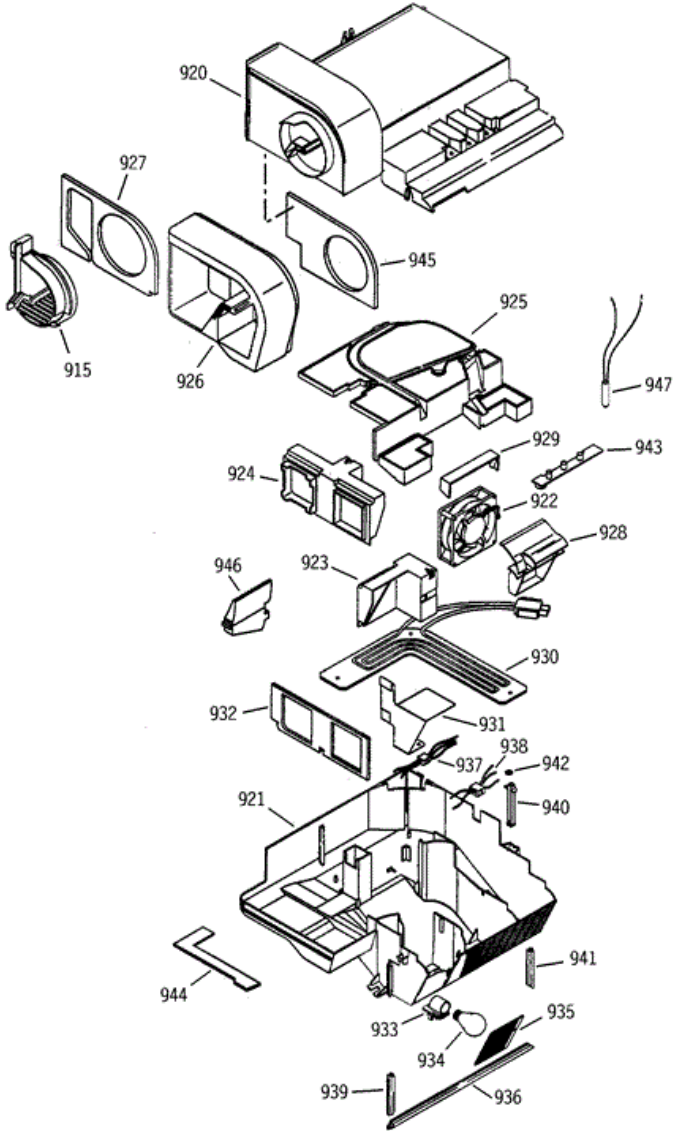


PSS25NGMBWW CUSTOM COOL





PSS25NGMBWW CUSTOM COOL

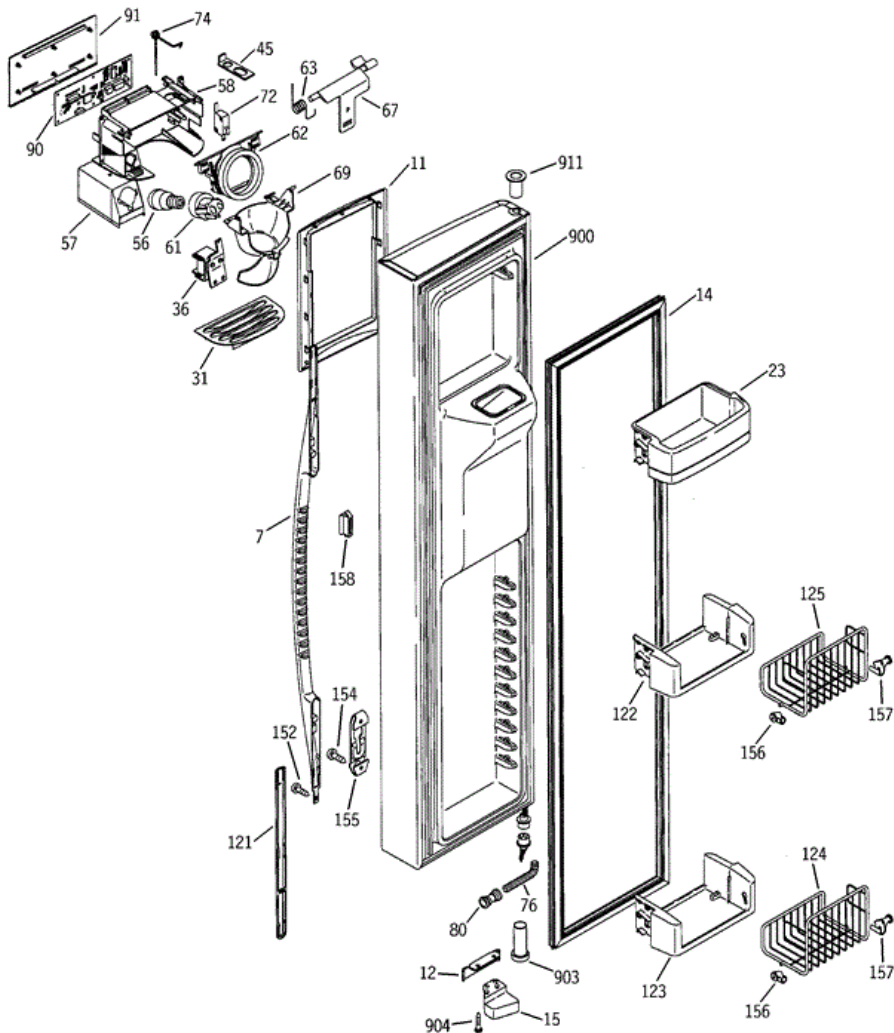
915	WR02X10808	GRILL MULLION
920	WR31X10008	COVER UPPER
921	WR31X10006	COVER LOWER
922	WR60X10064	FAN CHILL
923	WR60X10063	DAMPER ASM DESUPPLY
924	WR60X10062	DAMPER ASM SUPPLY
925	WR31X10007	PLENUM TOP
926	WR31X10009	DUCT CAVITY CHILL
927	WR14X10095	GASKET MULLION DUCT
928	WR31X10011	GRILL VANES CHILL
929	WR02X10820	COVER LED CHILL
930	WR51X10049	HEATER THAW
931	WR02X10809	REFLECTOR
932	WR14X10096	GASKET DAMPER CHILL
933	WR31X10012	LIGHT SOCKET CHILL
934	WR02X10812	LAMP 40W CHILL
935	WR31X10010	GRILL BULB CHILL
936	WR14X10092	SEAL AHU CHILL
937	WR23X10203	HARNESS CHILL AC
938	WR23X10202	HARNESS CHILL DC
939	WR14X10090	SEAL AHU CHILL
940	WR23X10204	SWITCH REED CHILL
941	WR14X10091	SEAL AHU CHILL
942	WR01X10239	WASHER RETAINER CHILL
943	WR55X10091	BOARD ASM PAN LED
944	WR14X10093	GASKET LC
945	WR14X10094	GASKET UC
946	WR31X10013	NOISE WALL CHILL
947	WR55X10030	SENSOR TEMPERATURE

Distribuidor Autorizado

SurteRápido.com

Venta de Refacciones
Electrodomesticas

PSS25NGMBWW FREEZER DOOR





PSS25NGMBWW FREEZER DOOR

7	WR12X10406	HANDLE SXS ASM WH
11	WR38X10213	RECESS TRIM BOWED WH
12	WR02X10690	STOP DOOR WH
14	WR24X10065	GASKET DOOR FZ WH
15	WR02X10638	CAM CLOSURE FZ WH
23	WR71X10254	MODULE SHELF FZ FIXED
31	WR17X10810	GRILLE RECESS WH
36	WR62X10020	SOLENOID ASM
45	WR02X8818	RETAINER RECESS DOOR
56	WR02X10675	BULB RECS 12V
57	WR02X10670	REFLECTOR LIGHT
58	WR17X10813	HOUSING SHIELD DISP WH
61	WR02X9561	LAMP SOCKET
62	WR17X3093	DOOR RECESS ASM
63	WR02X10585	SPRING RECESS DOOR
67	WR17X10706	CRANK DOOR RECESS
69	WR17X10711	FUNNEL ICE DISP WH
72	WR23X10224	SWITCH
74	WR02X10584	SPRING FUNNEL
76	WR02X8933	SLEEVE WATER LINE
80	WR02X10471	UNION CONNECTOR
90	WR55X10063	BOARD ASM DISP
91	WR55X10069	CONTROL DISP ASM WH
121	WR12X10405	TRIM HANDLE LOWER WH
122	WR71X10256	MODULE SUPPORT FZ
123	WR71X10255	MODULE SUPPORT FZ
124	WR21X10024	BASKET WIRE TILTOUT FZ
125	WR21X10025	BASKET WIRE TILTOUT FZ
152	WR01X10038	SCR 8-18 AB FLTR 5/8 S
154	WR01X10213	SCR 8-18 AB RNT20 5/8 S
155	WR02X10643	BRACKET HANDLE LOCK
156	WR13X10130	HINGE TILTOUT FZ LH
157	WR13X10131	HINGE TILTOUT FZ RH

158	WR02X10646	TAIL MTNG HNDL RETNR
900	WR78X10371	DOOR FOAM ASM FZ WH
903	WR01X10208	THIMBLE DOOR BTM FZ WH
904	WR01X2134	SCR 10-32 PNT 1.0 S LW
911	WR01X10207	THIMBLE DOOR TOP WH

Distribuidor Autorizado

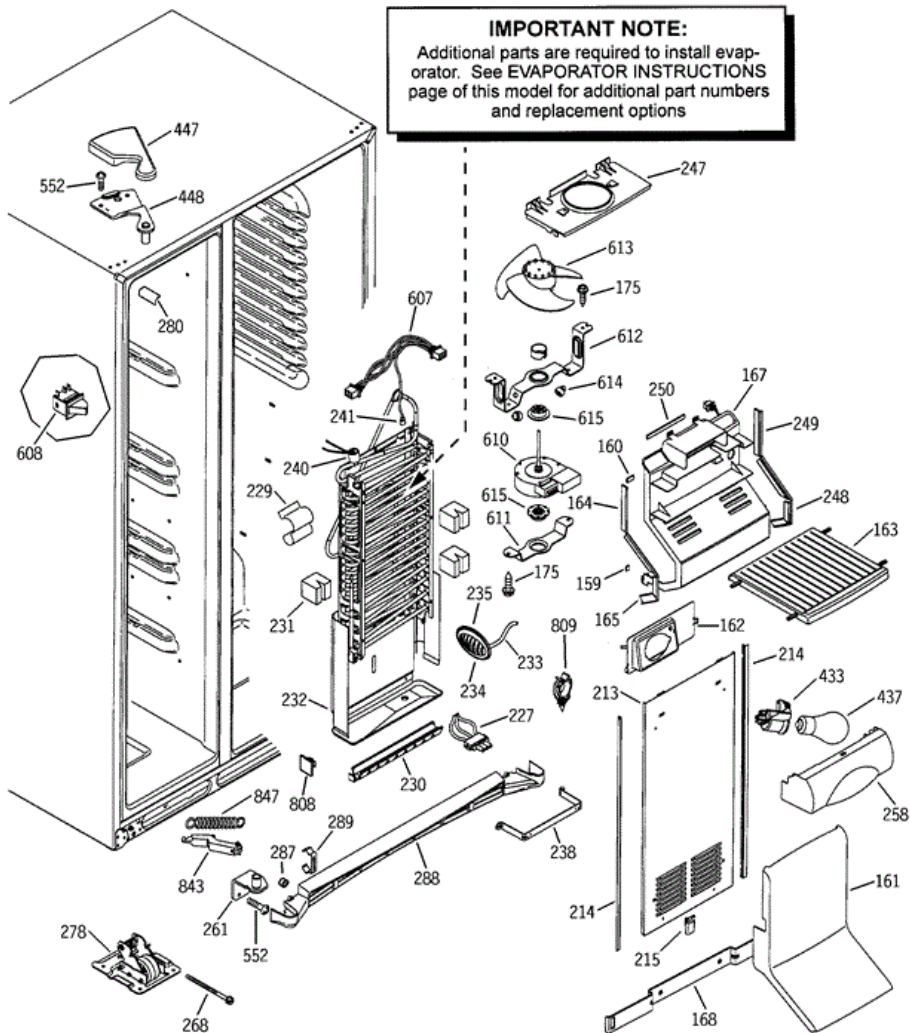
SurteRápido.com

Venta de Refacciones
Electrodomesticas

PSS25NGMBWW FREEZER SECTION

IMPORTANT NOTE:

Additional parts are required to install evaporator. See EVAPORATOR INSTRUCTIONS page of this model for additional part numbers and replacement options





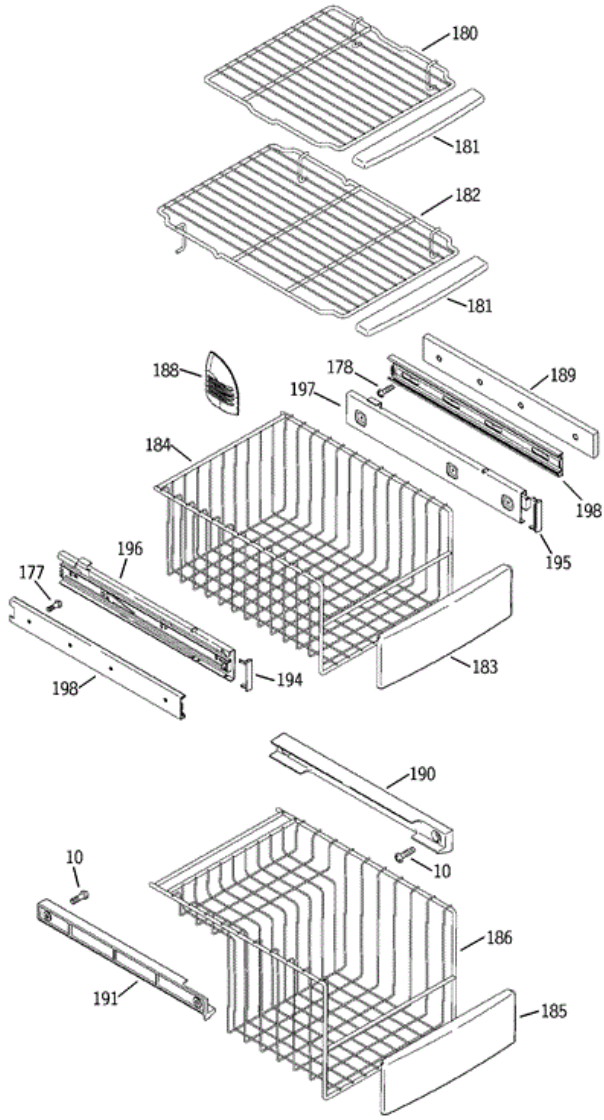
PSS25NGMBWW FREEZER SECTION

159	WR14X10067	FOAM STRIP SE ADH
160	WR14X10068	FOAM STRIP SE ADH
161	WR17X10899	TOWER AIR FZ LOWER
162	WR02X10634	REFLECTOR FZ
163	WR71X10252	SHELF FZ UPPER
164	WR14X10074	GASKET PLENUM
165	WR14X10065	GASKET PLENUM
167	WR17X10838	PLENUM FAN EVAPORATOR
168	WR02X10674	BRACKET FZ TOWER LOWER
175	WR01X10035	SCR 8-18 AB IHW 5/8 S
213	WR17X10836	COVER EVAPORATOR FRONT
214	WR14X10072	GASKET EVAP COVER
215	WR01X10211	BRACKET FZ TOWER UPPER
227	WR23X10142	HARNES DEF HEATER
229	WR02X10552	CLIP EVAP THERMISTOR
230	WR51X10030	HEATER & BRACKET ASM
231	WR02X10669	BLOCK EVAP SEAL
232	WR17X10811	SHIELD ASM TROUGH
233	WR55X10026	SENSOR TEMP FZ
234	WR02X10647	GRILLE SENSOR
235	WR02X10668	SHUNT SENSOR
238	WR02X10667	BRACKET EVAP COVER
240	WR50X10028	DEFROST THERMOSTAT
241	WR55X10025	SENSOR TEMP FF
247	WR17X10812	ORIFICE FAN ASM
248	WR14X10066	GASKET PLENUM
249	WR14X10073	GASKET PLENUM
250	WR14X10069	FOAM STRIP SE ADH
258	WR17X10840	SHIELD LIGHT FZ
261	WR13X10137	HINGE BTM & PIN ASM WH
268	WR01X10210	SCREW MOBILITY 3.5
278	WR02X10636	MOBILITY FRONT ASM
280	WR02X10640	CAP CORNER OC WH

287	WR02X10836	SPACER GRILL BASE
288	WR74X10064	GRILL BASE ASM WH
289	WR02X7646	CLIP BASE GRILLE
433	WR02X9391	SOCKET TERM BK
437	60A	LAMP 60W APPL
447	WR02X10687	COVER HINGE WH
448	WR13X10135	HINGE TOP & PIN ASM
552	WR01X2022	SCR 12-24 TT OVT .900 S
607	WR23X10223	HARNESS DC FZ INTERMED.
608	WR23X10179	SWITCH LIGHT
610	WR60X10043	MOTOR DC EVAP FAN
611	WR02X10548	BRACKET EVAP FAN BTM
612	WR02X10653	BRACKET ORIFICE FAN
613	WR60X10055	BLADE EVAP FAN ASM
614	WR02X10540	BUMPER LID
615	WR02X10519	GROMMET EVAP FAN
808	WR02X4039	CLIP ADHESIVE
809	WR01X1936	FASTENER WATER TUBE
843	WR11X10008	LEVER ASM FZ SIDE WH
847	WR01X2027	SPRING CLOSURE



PSS25NGMBWW FREEZER SHELVES





PSS25NGMBWW FREEZER SHELVES

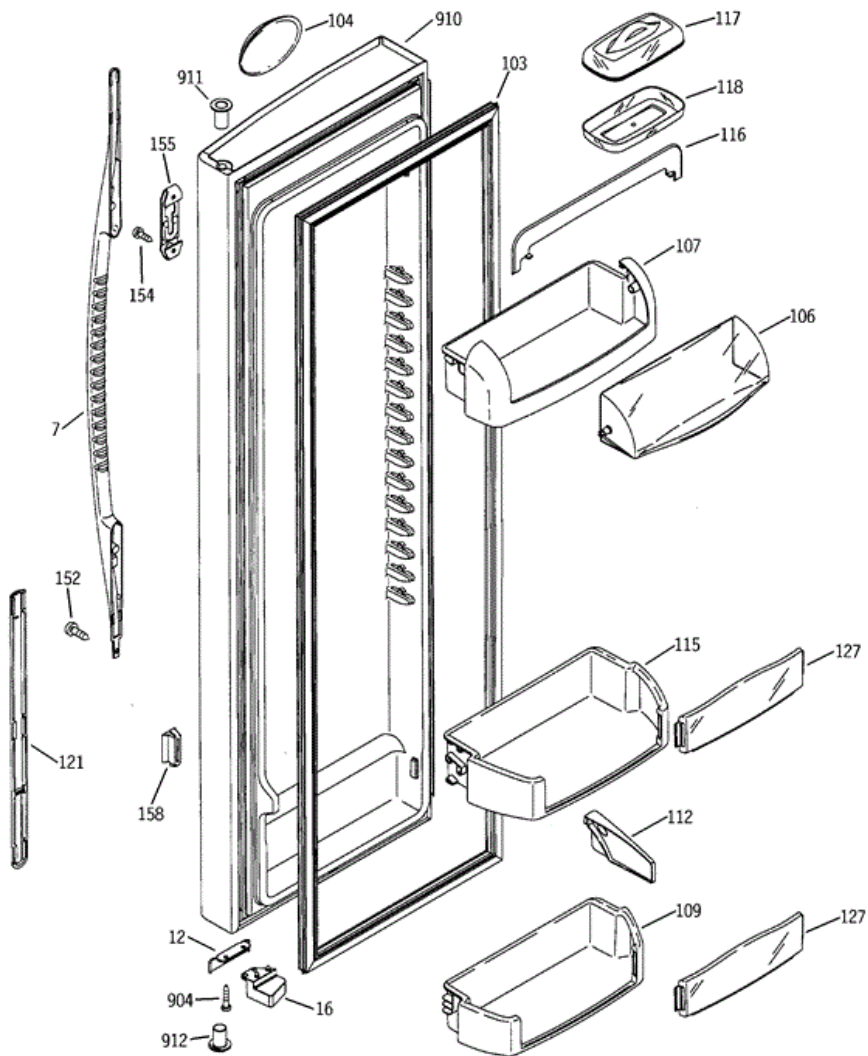
10	WR01X10065	SCR 8-18 BA POR 5/8 SS
177	WR01X10240	8-8X7/16 TORX PAN HEAD
178	WR01X10241	8-18 X 13/16 TX PH WH
180	WR71X10259	SHELF FIXED FZ
181	WR38X10214	TRIM SHELF FZ
182	WR71X10274	SHELF SLIDEOUT FZ
183	WR21X10033	HANDLE
184	WR21X10032	BASKET FZ LONG
185	WR21X10034	HANDLE
186	WR21X10035	BASKET WIRE FZ
188	WR02X10837	GRILL BASKET
189	WR17X10913	SPACER
190	WR17X10916	SUPPORT SLIDE BASKET
191	WR17X10917	SUPPORT SLIDE BASKET
194	WR02X10810	COVER L.H.
195	WR02X10811	COVER R.H.
196	WR72X10063	SLIDE & BRACKET ASM
197	WR72X10064	SLIDE & BRACKET ASM
198	WR72X10065	SLIDE LINER

Distribuidor Autorizado

SurteRápido.com

Venta de Refacciones
Electrodomesticas

PSS25NGMBWW FRESH FOOD DOOR





PSS25NGMBWW FRESH FOOD DOOR

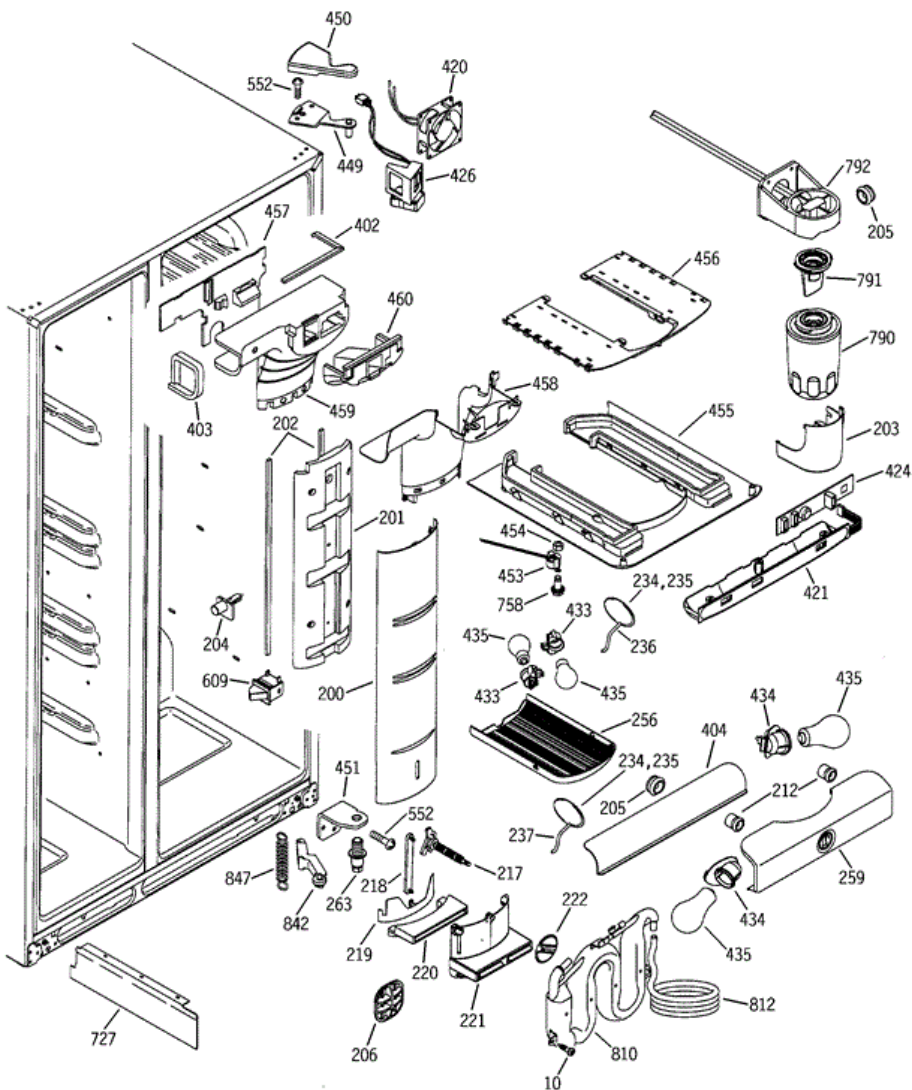
7	WR12X10406	HANDLE SXS ASM WH
12	WR02X10690	STOP DOOR WH
16	WR02X10637	CAM CLOSURE FF WH
103	WR24X10064	GASKET DOOR FF WH
104	WR04X10080	LENS NAMEPLATE WH
106	WR22X10022	DOOR DAIRY CLEAR
107	WR22X10021	COMPARTMENT DAIRY
109	WR71X10244	MODULE SHELF FF
112	WR02X10639	SNUGGER
115	WR71X10253	MODULE SHELF FF
116	WR22X10023	TRIM DAIRY COMPARTMENT
117	WR22X10019	LID DISH BUTTER
118	WR22X10018	DISH BUTTER
121	WR12X10405	TRIM HANDLE LOWER WH
127	WR71X10243	INSERT MODULE
152	WR01X10038	SCR 8-18 AB FLTR 5/8 S
154	WR01X10213	SCR 8-18 AB RNT20 5/8 S
155	WR02X10643	BRACKET HANDLE LOCK
158	WR02X10646	TAIL MTNG HNDL RETNR
904	WR01X2134	SCR 10-32 PNT 1.0 S LW
910	WR78X10370	DOOR FOAM ASM FF WH
911	WR01X10207	THIMBLE DOOR TOP WH
912	WR01X10206	THIMBLE DOOR BTM WH

Distribuidor Autorizado

SurteRápido.com

Venta de Refacciones
Electrodomesticas

PSS25NGMBWW FRESH FOOD SECTION



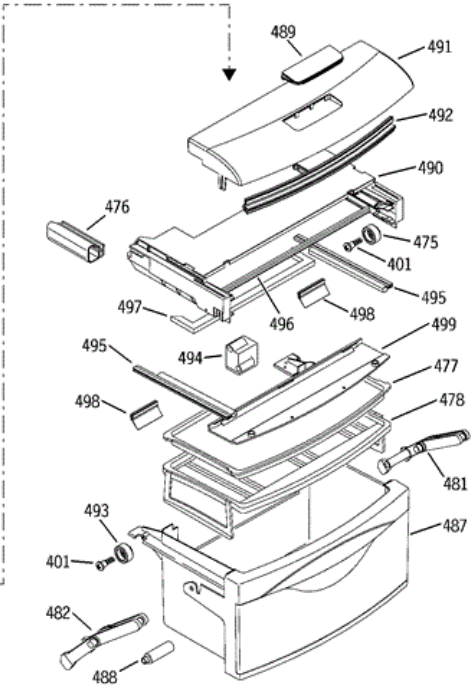
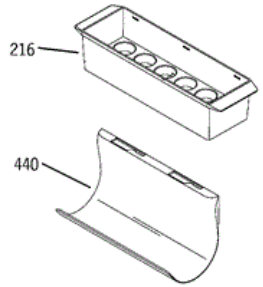
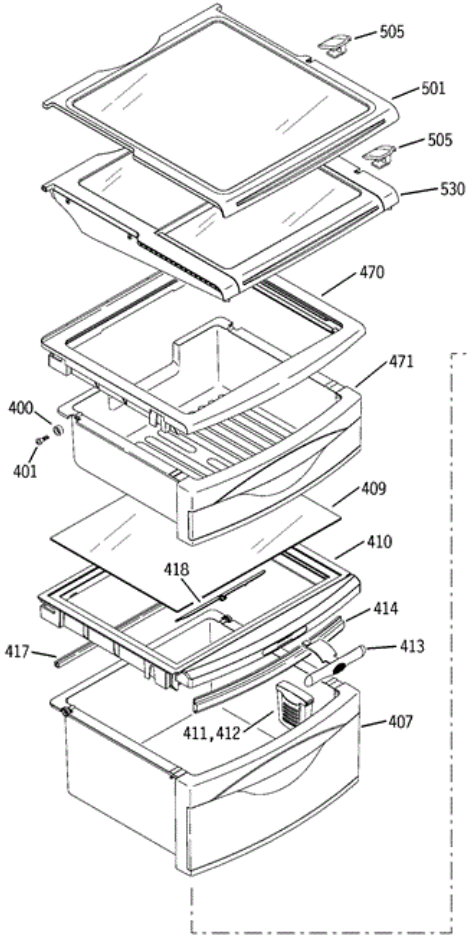


PSS25NGMBWW FRESH FOOD SECTION

10	WR01X10065	SCR 8-18 BA POR 5/8 SS
200	WR17X10802	COVER FF TOWER
201	WR17X10803	EPS FF TOWER
202	WR14X10062	GASKET FF TOWER
203	WR17X10800	COVER WATER FILTER
204	WR02X10676	FRAME SUPPORT PINS
205	WR02X10678	GROMMET
206	WR02X10671	GRILLE AIR RETURN
212	WR02X10689	GROMMET BASE GRILLE
217	WR32X10154	DIAL PAN CHILL
218	WR02X10665	LINKAGE PAN CHILL
219	WR02X10664	SHUTTER PAN CHILL
220	WR02X10644	EPS PAN CHILL
221	WR02X10641	DISCHARGE PAN CHILL
222	WR02X10666	KNOB PAN CHILL
234	WR02X10647	GRILLE SENSOR
235	WR02X10668	SHUNT SENSOR
236	WR55X10027	SENSOR TEMP FF
237	WR55X10028	SENSOR TEMP FF
256	WR17X10839	SHIELD LIGHT FF
259	WR17X10801	LIGHT SHIELD BTM FF
263	WR02X10648	PIN HINGE BTM ADJ HOLLOW
402	WR14X10070	GASKET FF INLET
403	WR14X10071	GASKET FF INLET
404	WR17X10949	DIVERTER FF AIRFLOW
420	WR60X10051	DC FRESH FOOD FAN
421	WR55X10068	CONTROL CUSTOMER ASM
424	WR55X10092	BOARD ASM TEMP CONTROL
426	WR60X10052	DAMPER ASM
433	WR02X9391	SOCKET TERM BK
434	WR02X10645	SOCKET LAMP
435	STD372402	LAMP 40W 120V
449	WR13X10136	HINGE TOP & PIN ASM

450	WR02X10688	COVER HINGE WH
451	WR13X10134	HINGE BTM WH
453	WR23X10209	HARNESS/TSTAT FF LT
454	WR01X10212	NUT 8-32
455	WR17X10805	COVER FF TUNNEL ASM
456	WR17X10804	BEZEL LIGHT FF
457	WR17X10870	EPS BACK FF INLET ASM
458	WR17X10896	COVER FF INLET
459	WR17X10869	EPS FF INLET ASM
460	WR17X10871	EPS BRIDGE FF INLET
552	WR01X2022	SCR 12-24 TT OVT .900 S
609	WR23X10175	SWITCH LIGHT
727	WR17X10820	SEPARATOR AIR HISIDE
758	WD02X0323	SCREW 8-32 X 3/8 SPH
790	GWF	FILTER CANISTER
791	WR02X10577	PLUG BYPASS FILTER
792	WR17X11028	FILTER ASM AND TUBE
810	WR17X10734	WATER TANK & TUBE ASM
812	WR17X10732	TUBE PLASTIC
842	WR11X10007	LEVER ASM FF SIDE WH
847	WR01X2027	SPRING CLOSURE

**PSS25NGMBWW FRESH FOOD
SHELVES**





PSS25NGMBWW FRESH FOOD SHELVES

216	WR32X10150	BUCKET EGG
400	WR01X10209	WHEEL PAN COVER
401	WR01X10214	SCR 10-16 PL PNP 5/8 SZN
407	WR32X10190	PAN MIDDLE CHILL ASM
409	WR32X10156	GLASS PAN COVR
410	WR32X10151	COVER MIDDLE PAN
411	GFSFR02	FRESHSAVER FILTER 2PK
412	WR02X10684	HOLDER FRESHSAVER
413	WR02X10650	HUMIDITY CONTROL
414	WR14X10059	GASKET PAN CRV FRONT
417	WR14X10058	GASKET PAN CRV REAR
418	WR02X10633	SLIDE MIDDLE PAN COVER
440	WR17X10793	WINE RACK
470	WR32X10149	COVER TOP PAN ASM
471	WR32X10147	PAN ASM TOP
475	WR02X10861	WHEEL FRAME FRONT
476	WR14X10102	GASKET PAN CRV REAR
477	WR17X10921	TRAY DRIP CHILL
478	WR17X10922	RACK CHILL
481	WR02X10819	LINKAGE PAN CHILL R.H.
482	WR02X10818	LINKAGE PAN CHILL L.H.
487	WR32X10189	PAN ASM CHILL
488	WR02X10815	BOSS SPACER
489	WR04X10094	NAMEPLATE CHILL
490	WR17X10993	FRAME CHILL
491	WR31X10015	COVER FRONT CHILL
492	WR14X10105	SEAL FRONT CHILL
493	WR02X10807	WHEEL AND RING ASM
494	WR02X10813	MAGNET CHILL
495	WR14X10098	SEAL SIDES CHILL
496	WR14X10104	SEAL MIDDLE CHILL
497	WR14X10100	SEAL FRAME & AHU CHILL
498	WR14X10106	SEAL REAR CHILL

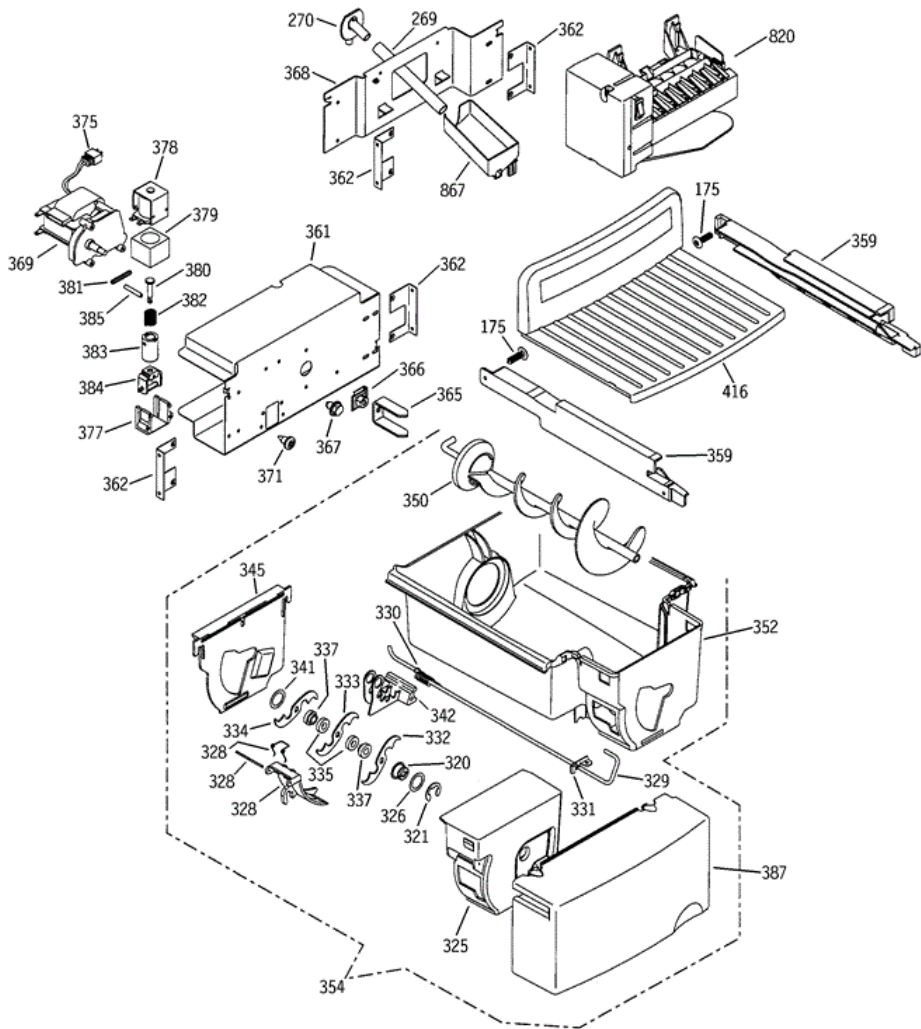
499	WR17X10918	PLATE SEAL CHILL
501	WR71X10262	SHELF SLIDEOUT ASM
505	WR02X10662	STOP SHELF
530	WR71X10258	SHELF TUCKAWAY ASM

Distribuidor Autorizado

SurteRápido.com

Venta de Refacciones
Electrodomesticas

PSS25NGMBWW ICE MAKER & DISPENSER





PSS25NGMBWW ICE MAKER & DISPENSER

175	WR01X10035	SCR 8-18 AB IHW 5/8 S
269	WR02X10960	TUBE IM FILL
270	WR02X10967	GROMMET AND GASKET ASM
320	WR01X10189	NUT AUGER FRT DISP
321	WR01X1367	RETAINER RING E
325	WR17X10717	HOUSING CRUSHER DISP
326	WR01X1366	WASHER
328	WR02X4143	PIN DEFLECTOR DISP
328	WR02X4561	SPRING ICE DEFLECTOR
328	WR17X10703	DEFLECTOR ICE DISP
329	WR17X10735	WIRE ACTUATOR DISP
330	WR02X10583	SPRING DEFLECTOR
331	WR02X10580	RETAINER SPRING
332	WR17X1361	BLADES MOVING DISP
333	WR17X1362	BLADES MOVING DISP
334	WR17X1363	BLADES MOVING DISP
335	WR02X4139	SPACER CRUSHER MIDDLE
337	WR02X4138	SPACER CRUSHER STATIONAR
341	WR29X10045	WASHER CRUSHER BLADE
342	WR02X10691	STATIONARY BLADES ASM
345	WR17X10699	COVER CRUSHER HSG DISP
350	WR17X10835	AUGER ASM DISP
352	WR30X10020	BUCKET ICE DISP
354	WR17X11037	BUCKET & AUGER ASM
359	WR72X10047	GLIDE BUCKET LH DISP
359	WR72X10048	GLIDE BUCKET RH DISP
361	WR17X10702	COVER MOTOR & SOLENOID
362	WR02X10656	BRACKET ANGLE
365	WR02X10565	DRIVE AUGER DISP
366	WR01X10190	NUT J
367	WR01X10198	SCR 8-18 TPT 1/4
368	WR02X10982	BRACKET IM
369	WR60X10056	MOTOR CRUSHER DISP

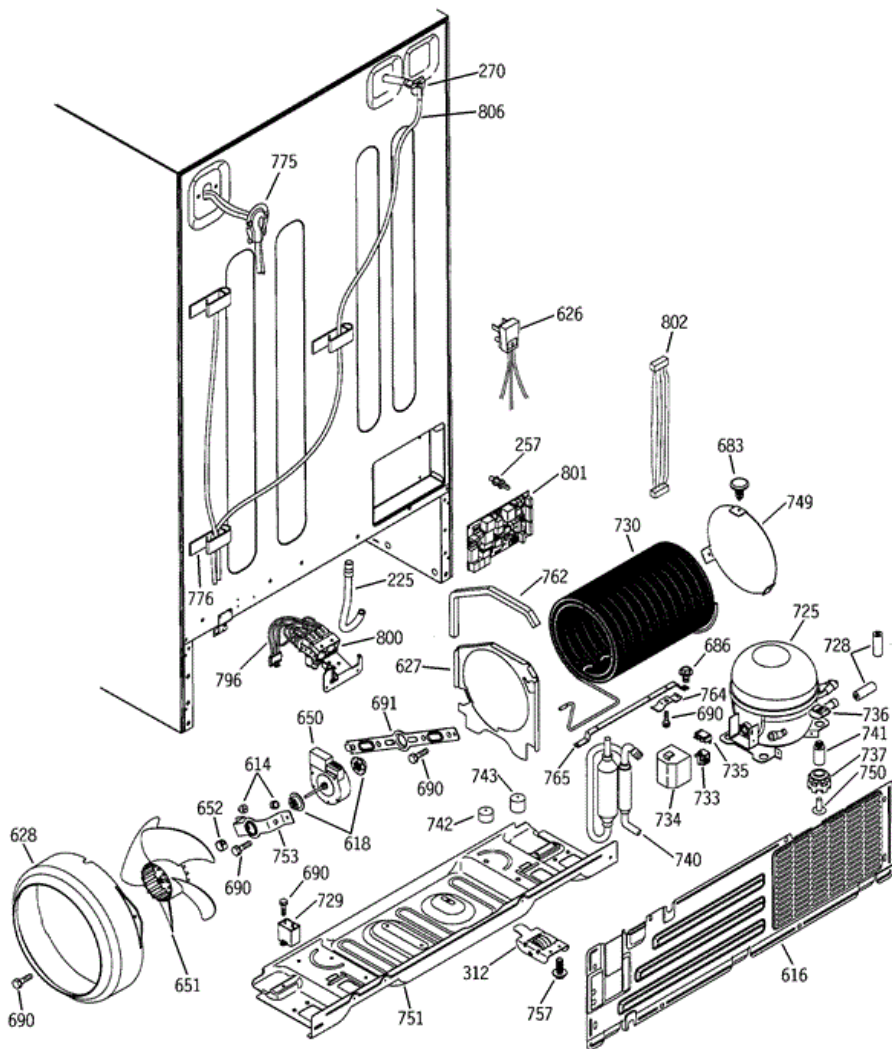
371	WR01X10192	SCR 10-18 HI/LO HXW 1/2
375	WR23X10172	HARNESS MOTOR & SOL
377	WR02X7309	SADDLE SOLENOID
378	WR62X0058	SOLENOID & ARM ASM
379	WR17X1063	SHROUD SOLENOID
380	WR17X1064	PLUNGER SOLENOID
381	WR02X4257	PIN SPIRAL
382	WR02X4258	SPRING SOLENOID LINKAGE
383	WR17X1065	COLLAR SOLENOID DISP
384	WR17X1066	STIRRUP SOLENOID DISP
385	WR02X4259	PIN SPIRAL
387	WR17X11032	COVER BUCKET DISP
416	WR71X10314	SHELF CHILLER
820	WR30X10012	ICEMAKER ASM
867	WR29X10042	CUP FILL IM

Distribuidor Autorizado

SurteRápido.com

Venta de Refacciones
Electrodomesticas

PSS25NGMBWW UNIT





PSS25NGMBWW UNIT

225	WR02X10661	TUBE DRAIN
257	WR02X10663	STAND OFF
270	WR02X10967	GROMMET AND GASKET ASM
312	WR02X10571	MOBILITY BACK ASM
614	WR02X10540	BUMPER LID
616	WR82X10071	COVER ACCESS ASM
618	WR02X10520	GROMMET COND FAN
626	WR01X5278	CLAMP CABLE
626	WR23X0108	CORD POWER ASM
627	WR17X10691	BAFFLE CONDENSER
628	WR17X10726	SHROUD CONDENSER
650	WR60X10053	MOTOR DC COND FAN
651	WR60X10049	BLADE COND FAN ASM
652	WR02X10509	RING COMPRESSION
683	WR02X10562	FASTENER PUSH
686	WR01X10194	SCR 10-32 TT HXW 5/16 S
690	WR01X1466	SCR 8-32 T HXW 3/8 S
691	WR02X10593	BRACKET COND FAN (REAR)
725	WR87X10042	COMPR REPL KIT
728	WR14X10055	GROMMET TUBING SLIT
729	WR62X0079	CAPACITOR
730	WR84X10022	COND REPL KIT
733	WR07X10033	PTCR
734	WR02X10556	COVER RELAY SNAP(MEI)
735	WR08X10025	OVERLOAD
736	WR02X8203	CLIP COMPRESSOR MOUNT
737	WR02X10099	GROMMET
740	WR86X0096	DRYER BIFURCATED XH9
741	WR01X1779	STUD MTG COMPR
742	WR02X10587	SUPPORT CONDENSER
743	WR02X10588	SUPPORT CONDENSER
749	WR17X10694	BAFFLE COND AIR
750	WR01X1786	SCR 10-32 TR 1/2

751	WR17X10693	BASEPLATE HIGH SIDE
753	WR02X10521	BRKT COND FAN (MTG)
757	WR01X10193	SCR 10-32 SPECIAL
762	WR14X10053	FOAM STRIP SE ADH
764	WR02X9000	CLIP, COND MNT
765	WR17X10695	BRACKET CONDENSER BAR
775	WR17X10796	COVER WATER LINE
776	WR02X10522	CLAMP TUBE
796	WR23X10168	HARNESS WATER VALVE
800	WR57X10032	WATER VALVE ASM
801	WR55X10110	BOARD ASM MAIN CONTROL
802	WR23X10178	HARNESS BOARD INDIV
806	WR17X10733	TUBE PLASTIC