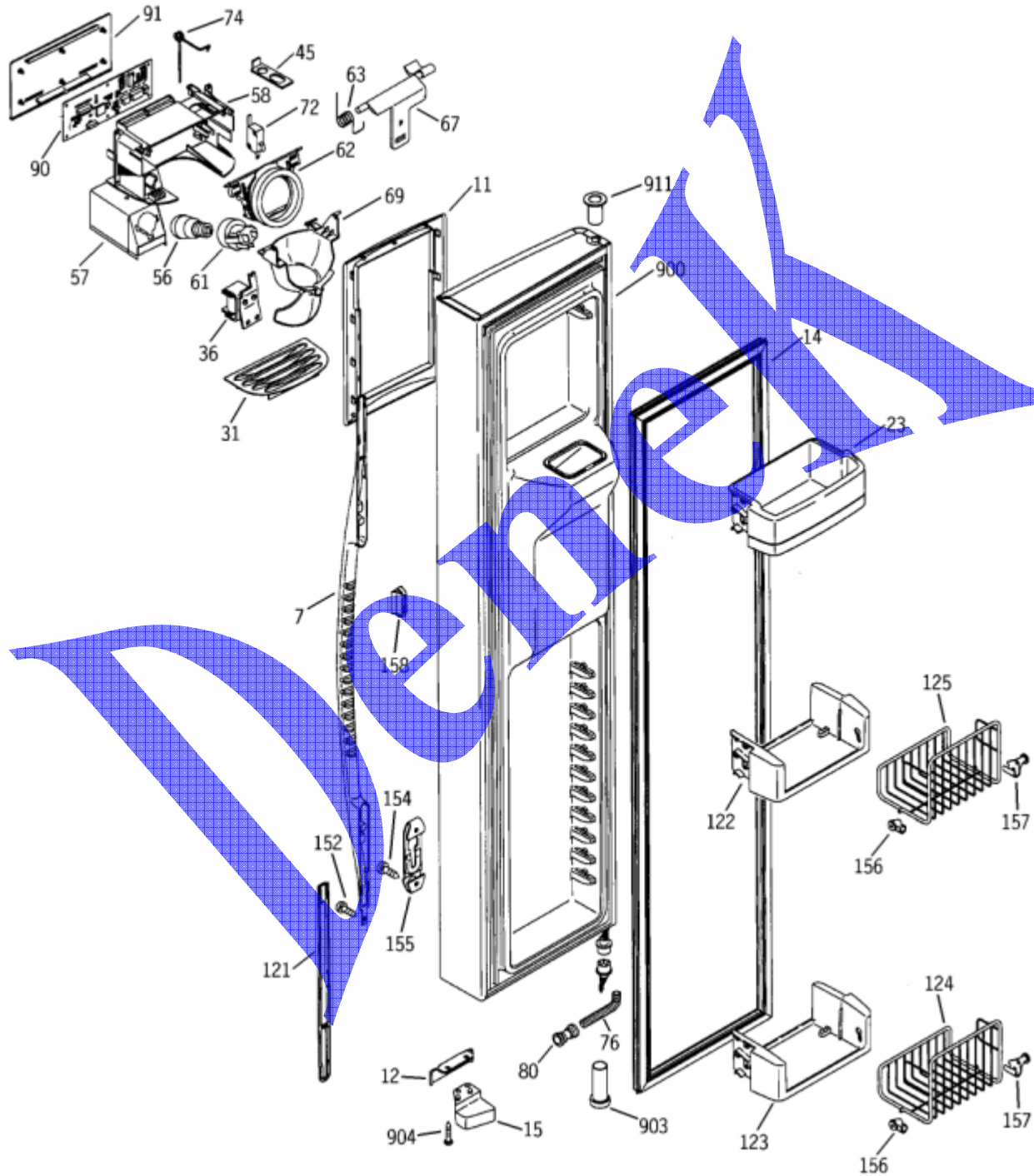


REF. G.E. MODEL. PSS25SGMDBS

PUERTA DEL CONGELADOR



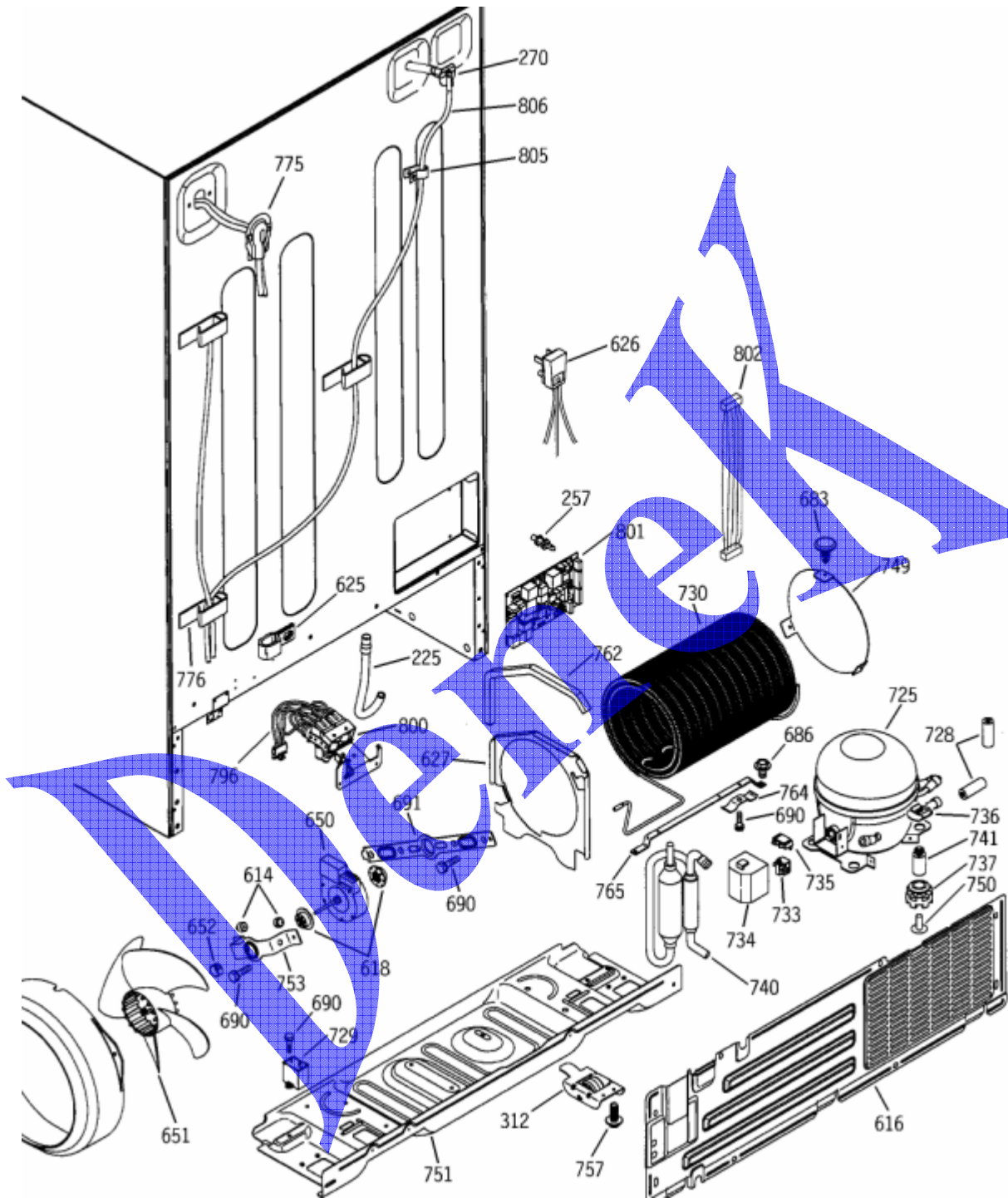
REF. G.E. MODEL. PSS25SGMDBS

PUERTA DEL CONGELADOR

NUMERO	N.DE PARTE	DESCRIPCION
1	49-60153	PM GUIDE OWNERS
1	31-51385	PM MINI WIRING MANUAL
7	WR12X10430	HANDLE SXS ASM BK
11	WR38X10219	RECESS TRIM BOWED BK
12	WR02X10782	STOP DOOR BK
14	WR24X10072	GASKET DOOR FZ BK
15	WR02X10780	CAM CLOSURE FZ BK
23	WR71X10254	MODULE SHELF FZ FIXED
31	WR17X10895	GRILLE RECESS BK
36	WR62X10020	SOLENOID ASM
45	WR2X8818	RETAINER RECESS DOOR
56	WR02X10675	LIGHT DISPENSER
57	WR02X10670	REFLECTOR LIGHT
58	WR17X11077	HOUSING SHIELD DISP BK
61	WR2X9561	SOCKET LAMP E12
62	WR17X3093	DOOR RECESS ASM
63	WR02X10585	SPRING RECESS DOOR
67	WR17X10706	CRANK DOOR RECESS
69	WR17X10743	FUNNEL ICE DISP BK
72	WR23X10171	SWITCH
74	WR02X10584	SPRING FUNNEL
76	WR2X8933	SLEEVE WATER LINE
80	WR02X10471	UNION CONNECTOR
90	WR55X10063	BOARD ASM DISP
91	WR55X10076	CONTROL DISP ASM BK
121	WR12X10429	TRIM HANDLE LOWER BK
122	WR71X10256	MODULE SUPPORT FZ
123	WR71X10255	MODULE SUPPORT FZ
124	WR21X10024	BASKET WIRE TILTOUT FZ
125	WR21X10025	BASKET WIRE TILTOUT FZ
152	WR01X10038	SCR 8-18 AB FLTR 5/8 S
154	WR01X10213	SCR 8-18 AB RNT20 5/8 S
155	WR02X10643	BRACKET HANDLE LOCK
156	WR13X10130	HINGE TILTOUT FZ LH
157	WR13X10131	HINGE TILTOUT FZ RH
158	WR02X10646	TAIL MTNG HNDL RETNR
900	WR78X10439	DOOR FOAM ASM FZ SS
903	WR01X10234	THIMBLE DOOR BTM FZ BK
904	WR1X2134	SCR 10-32 PNT 1.0 S LW
911	WR01X10233	THIMBLE DOOR TOP BK

REF. G.E. MODEL. PSS25SGMDBS

TARJETA PRINCIPAL



REF. G.E. MODEL. PSS25SGMDBS

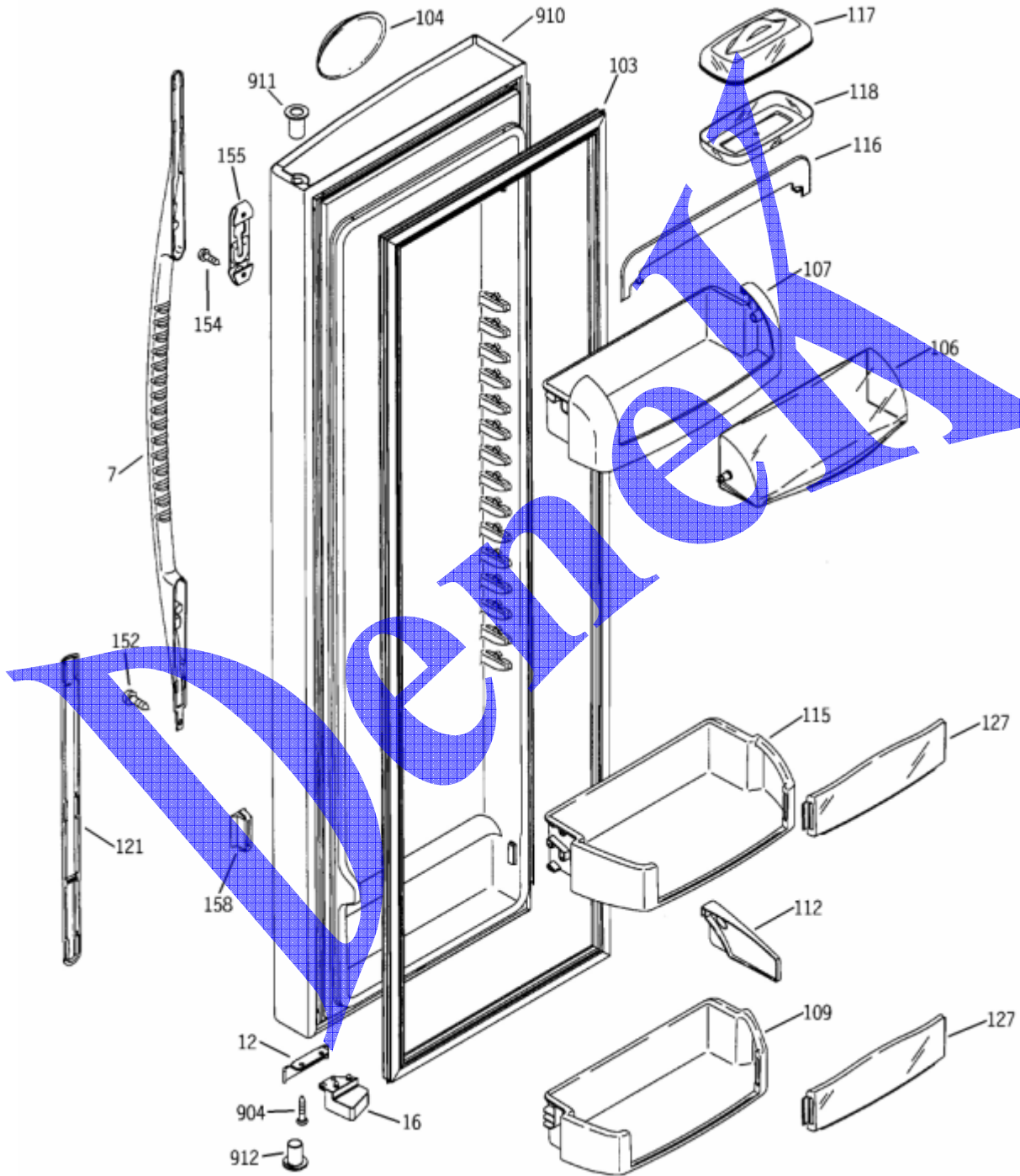
TARJETA PRINCIPAL

NUMERO	N.DE PARTE	DESCRIPCION
225	WR02X10661	TUBE DRAIN
257	WR02X10663	STAND OFF
270	WR17X11082	GROMMET AND TUBE ASM
312	WR02X10571	MOBILITY BACK ASM
614	WR02X10540	BUMPER LID
616	WR82X10071	COVER ACCESS ASM
618	WR02X10520	GROMMET COND FAN
625	WR1X5278	CLAMP CABLE
626	WR23X108	POWER CORD
627	WR17X10691	BAFFLE CONDENSER
628	WR17X10726	SHROUD CONDENSER
650	WR60X10053	MOTOR DC COND FAN
651	WR60X10049	BLADE COND FAN ASM
652	WR02X10509	RING COMPRESSION FAN
683	WR02X10562	FASTENER PUSH
686	WR01X10252	SCR 10-32 TT HXW 5/16 S
690	WR1X1466	SCR 8-32 T HXW 3/8 S
691	WR02X10593	BRACKET COND FAN (REAR)
725	WR87X10042	COMPRESSOR REPL ASM
728	WR14X10055	GROMMET TUBING SLIT
729	WR62X79	CAPACITOR
730	WR84X10022	CONDENSER REPL ASM
733	WR07X10033	PTCR
734	WR02X10556	COVER RELAY SNAP (MEI)
735	WR08X10025	OVERLOAD
736	WR2X8203	CLIP COMPRESSOR MOUNT
737	WR02X10099	GROMMET
740	WR86X96	DRYER
741	WR1X1779	STUD MTG COMPR
749	WR17X10694	BAFFLE COND AIR
750	WR1X1786	SCR 10-32 TR T 1/2
751	WR17X10693	BASEPLATE HIGH SIDE
753	WR02X10521	BRACKET COND FAN (MTG)

757	WR01X10193	SCR 10-32 SPECIAL
762	WR14X10053	FOAM STRIP SE ADH
764	WR2X9000	CLIP, CONDENSER MOUNT
765	WR17X10695	BRACKET CONDENSER BAR
775	WR17X10796	COVER WATER LINE
776	WR02X10522	CLAMP TUBE
796	WR23X10168	HARNESS WATER VALVE
800	WR57X10032	WATER VALVE ASM
801	WR55X10110	BOARD ASM MAIN CONTROL
802	WR23X10178	HARNESS BOARD INDIV
805	WR2X3736	CLAMP TUBE
806	WR17X10733	TUBE PLASTIC

REF. G.E. MODEL. PSS25SGMDBS

PUERTA ENFRIADOR



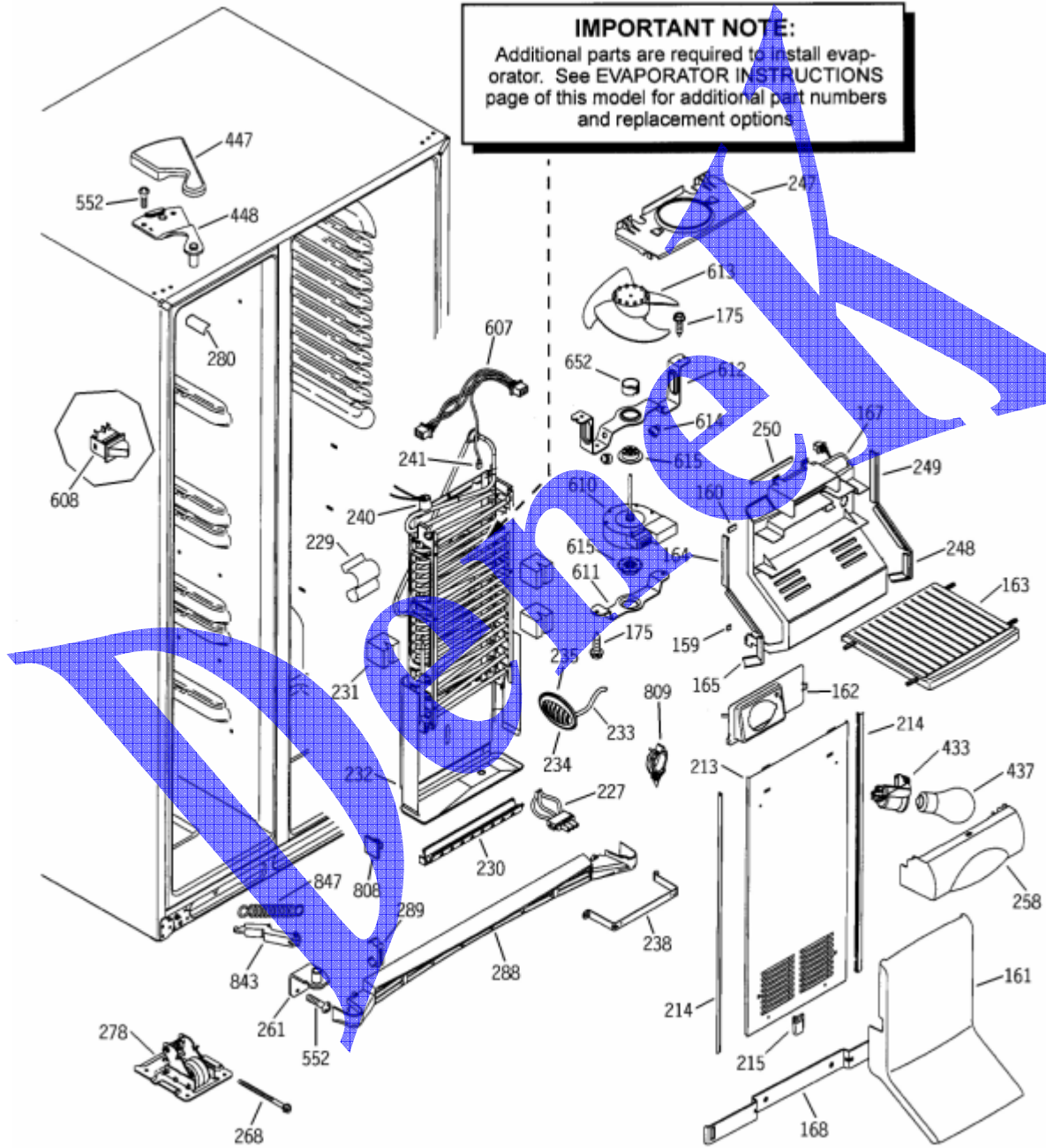
REF. G.E. MODEL. PSS25SGMDBS

PUERTA ENFRIADOR

NUMERO	N.DE PARTE	DESCRIPCION
7	WR12X10430	HANDLE SXS ASM BK
12	WR02X10782	STOP DOOR BK
16	WR02X10779	CAM CLOSURE FF BK
103	WR24X10071	GASKET DOOR FF BK
104	WR04X10103	NAMEPLATE REFRIG BK
106	WR22X10022	DOOR DAIRY CLEAR
107	WR22X10021	COMPARTMENT DAIRY
109	WR71X10244	MODULE SHELF FF
112	WR02X10639	SNUGGER
115	WR71X10253	MODULE SHELF FF
116	WR22X10023	TRIM DAIRY COMPARTMENT
117	WR22X10019	LID DISH BUTTER
118	WR22X10018	DISH BUTTER
121	WR12X10429	TRIM HANDLE LOWER BK
127	WR71X10243	INSERT MODULE
152	WR01X10038	SCR 8-18 AB FLTR 5/8 S
154	WR01X10213	SCR 8-18 AB RNT20 5/8 S
155	WR02X10643	BRACKET HANDLE LOCK
158	WR02X10646	TAIL MTNG HNDL RETNR
904	WR1X2134	SCR 10-32 PNT 1.0 S LW
910	WR78X10438	DOOR FOAM ASM FF SS
911	WR01X10233	THIMBLE DOOR TOP BK
912	WR01X10232	THIMBLE DOOR BTM BK

REF. G.E. MODEL. PSS25SGMDBS

SECCION DEL CONGELADOR



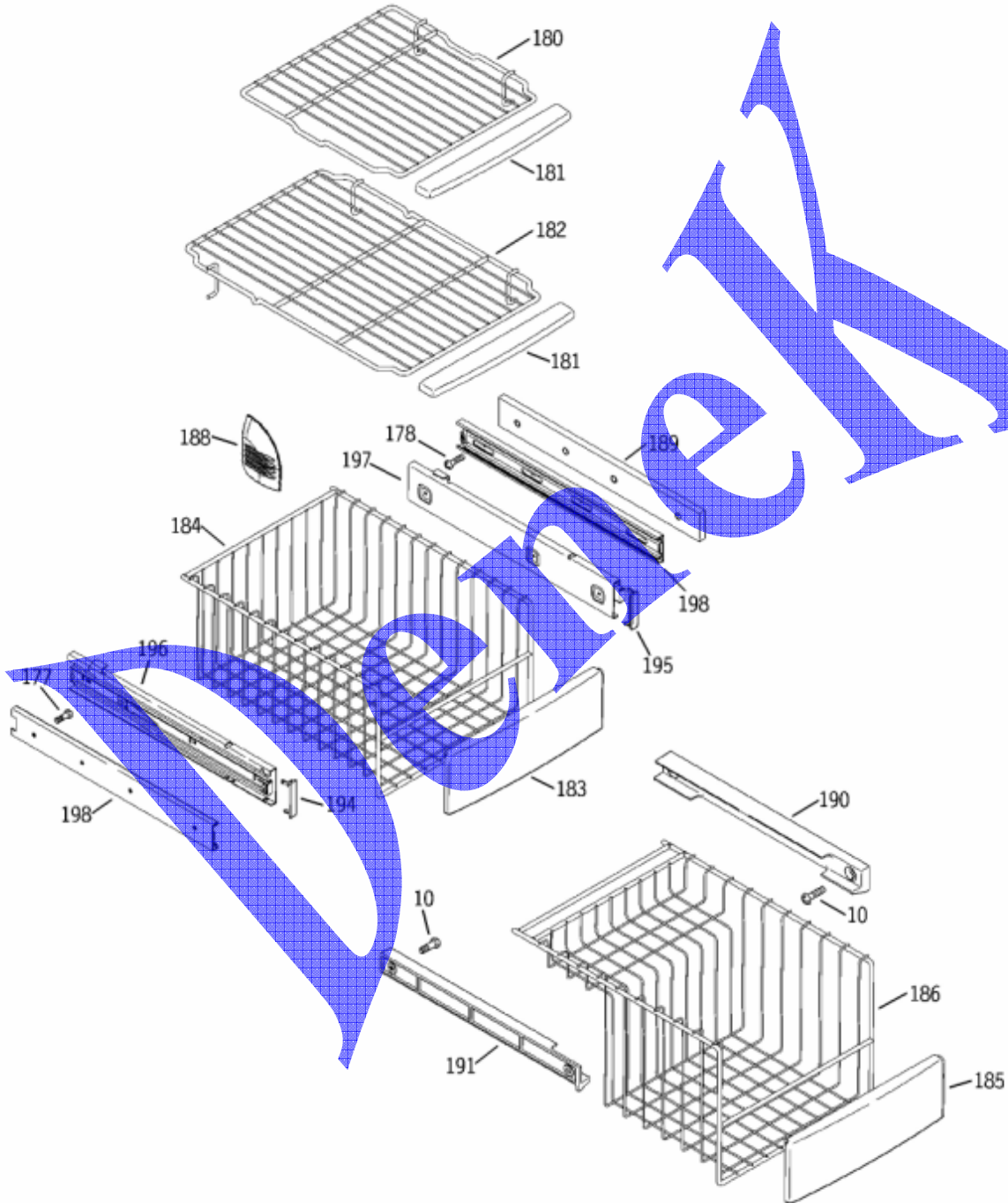
REF. G.E. MODEL. PSS25SGMDBS

SECCION DEL CONGELADOR

NUMERO	N.DE PARTE	DESCRIPCION
159	WR14X10067	FOAM STRIP SE ADH
160	WR14X10068	FOAM STRIP SE ADH
161	WR17X10899	TOWER AIR FZ LOWER
162	WR02X10634	REFLECTOR FZ
163	WR17X10252	SHELF FZ UPPER
164	WR14X10074	GASKET PLENUM
165	WR14X10065	GASKET PLENUM
167	WR17X10838	PLENUM FAN EVAPORATOR
168	WR02X10674	BRACKET FZ TOWER LOWER
175	WR01X10035	SCR 8-18 AB IHW 5/8 S
213	WR17X10836	COVER EVAPORATOR FRONT
214	WR14X10072	GASKET EVAPORATOR COVER
215	WR01X10211	BRACKET FZ TOWER UPPER
227	WR23X10142	HARNES DEF HEATER
229	WR02X10552	CLIP EVAP THERMISTOR
230	WR51X10055	HEATER & BRACKET ASM
231	WR02X10669	BLOCK EVAP SEAL
232	WR17X10811	SHIELD TROUGH ASM
233	WR55X10026	SENSOR TEMP FZ
234	WR02X10647	GRILLE SENSOR
235	WR02X10668	SHUNT SENSOR
238	WR02X10667	BRACKET EVAP COVER
240	WR50X10028	DEFROST THERMOSTAT
241	WR55X10025	SENSOR TEMP FF
247	WR17X10812	ORIFICE FAN ASM
248	WR14X10066	GASKET PLENUM
249	WR14X10073	GASKET PLENUM
250	WR14X10069	FOAM STRIP SE ADH
258	WR17X10840	SHIELD LIGHT FZ
261	WR13X10160	HINGE BTM & PIN ASM BK
268	WR01X10210	SCREW MOBILITY 3.5
278	WR02X10636	MOBILITY FRONT ASM
280	WR02X10781	CAP CORNER OC BK
288	WR74X10069	GRILL BASE ASM BK
289	WR2X7646	CLIP BASE GRILLE
433	WR2X9391	SOCKET & TERMINAL ASM
437	60A	LAMP 60 W
447	WR02X10783	COVER HINGE BK
448	WR13X10135	HINGE TOP & PIN ASM
552	WR1X2022	SCR 12-24 TT OVT .900 S
607	WR23X10223	HARNES DC FZ INTERMED.
608	WR23X10179	SWITCH LIGHT
610	WR60X10043	MOTOR DC EVAP FAN
611	WR02X10764	BRACKET EVAP FAN BTM
612	WR02X10653	BRACKET ORIFICE FAN
613	WR60X10055	BLADE EVAP FAN ASM
614	WR02X10540	BUMPER LID
615	WR02X10519	GROMMET EVAP FAN
652	WR02X10509	RING COMPRESSION FAN
808	WR2X4039	ADHESIVE CLIP
809	WR1X1936	FASTENER WATER TUBE
843	WR11X10010	LEVER ASM FZ SIDE BK
847	WR1X2027	SPRING CLOSURE

REF. G.E. MODEL. PSS25SGMDBS

REJILLAS Y CANASTA DEL CONGELADOR



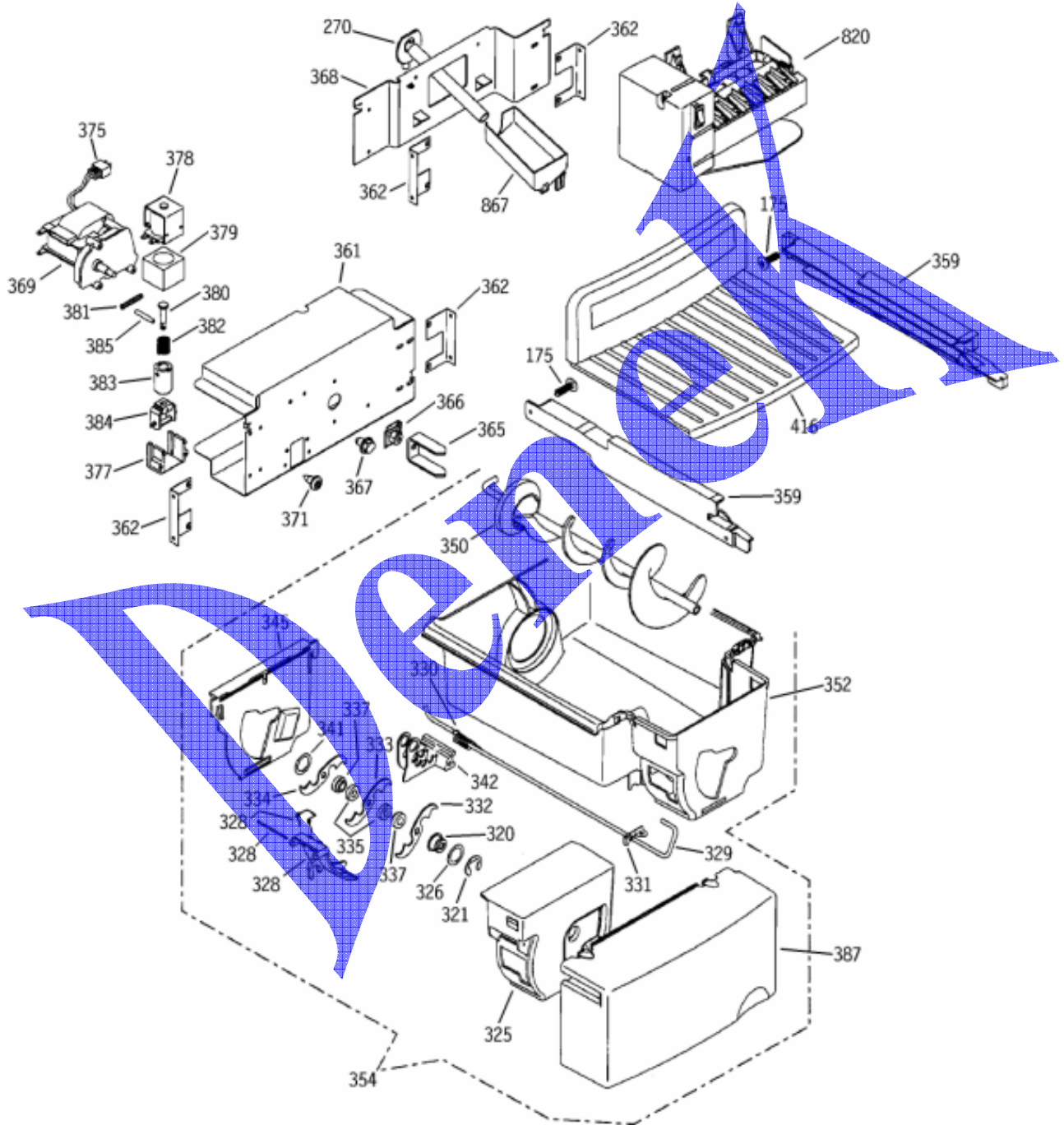
REF. G.E. MODEL. PSS25SGMDBS

REJILLAS Y CANASTA DEL CONGELADOR

NUMERO	N.DE PARTE	DESCRIPCION
10	WR01X10065	SCR 8-18 BA POR 5/8 SS
177	WR01X10240	8-18 X 7/16 TX PH WH
178	WR01X10241	8-18 X 13/16 TX PH WH
180	WR71X10259	SHELF FIXED FZ
181	WR38X10214	TRIM SHELF FZ
182	WR71X10274	SHELF SLIDEOUT FZ
183	WR21X10033	HANDLE
184	WR21X10032	BASKET FZ LONG
185	WR21X10034	HANDLE
186	WR21X10035	BASKET WIRE FZ SHORT
188	WR02X10837	GRILL BASKET
189	WR17X10913	SPACER
190	WR17X10916	SLIDE BASKET R.H.
191	WR17X10917	SLIDE BASKET L.H.
194	WR02X10810	COVER L.H.
195	WR02X10811	COVER R.H.
196	WR72X10063	SLIDE & BRACKET ASM L.H.
197	WR72X10064	SLIDE & BRACKET ASM R.H.
198	WR72X10065	SLIDE LINER

REF. G.E. MODEL. PSS25SGMDBS

ICE MAKER Y DESPACHADOR



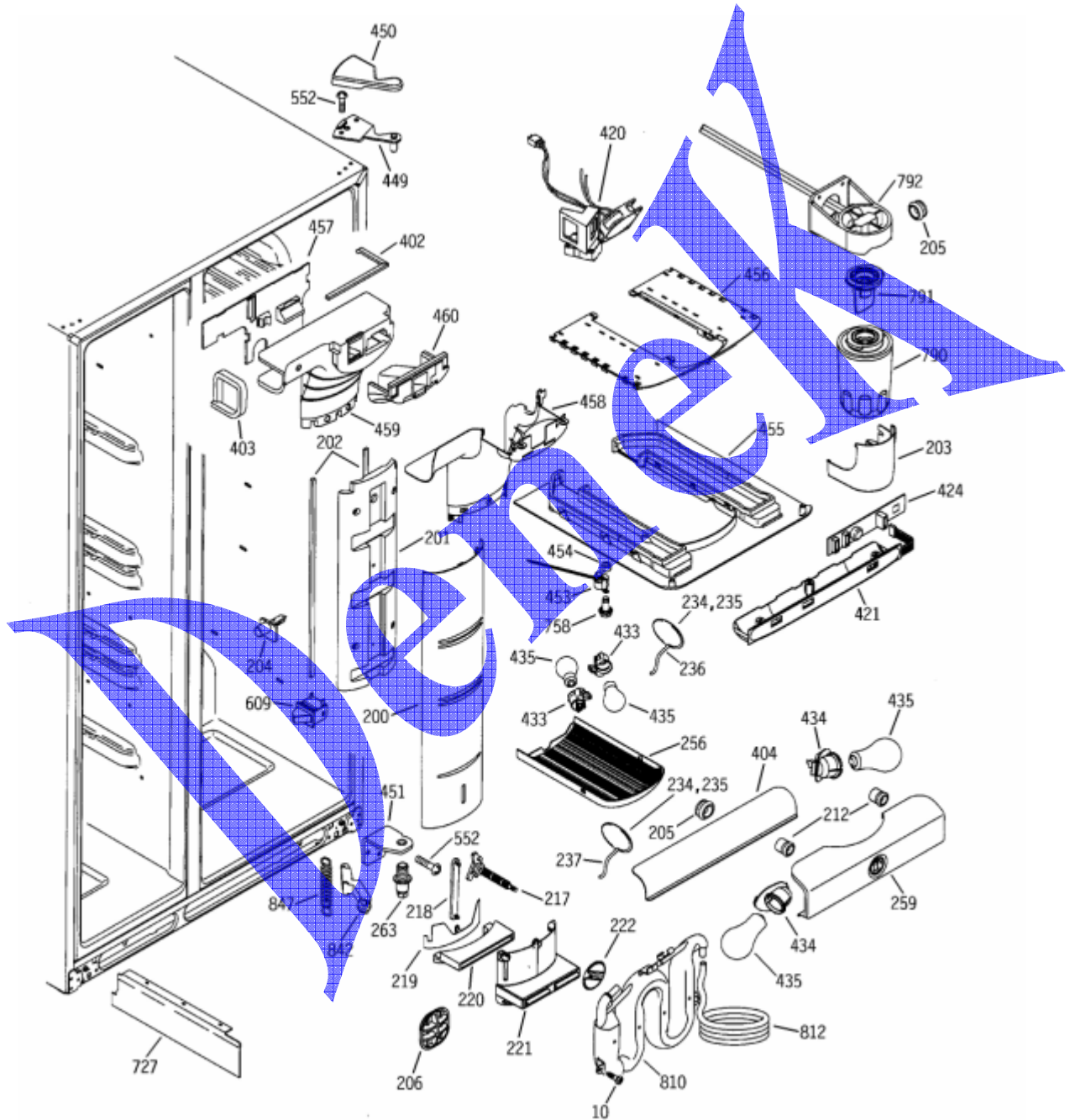
REF. G.E. MODEL. PSS25SGMDBS

ICE MAKER Y DESPACHADOR

NUMERO	N.DE PARTE	DESCRIPCION
175	WR01X10035	SCR 8-18 AB IHW 5/8 S
270	WR17X11082	GROMMET AND TUBE ASM
320	WR01X10189	NUT AUGER FRT DISP
321	WR1X1367	RETAINER RING E
325	WR17X10717	HOUSING CRUSHER DISP
326	WR1X1366	WASHER
328	WR2X4561	SPRING ICE DEFLECTOR
328	WR2X4143	PIN DEFLECTOR DISP
328	WR17X10703	DEFLECTOR ICE DISP
329	WR17X10735	WIRE ACTUATOR DISP
330	WR02X10583	SPRING DEFLECTOR
331	WR02X10580	RETAINER SPRING
332	WR17X1361	BLADES MOVING DISP
333	WR17X1362	BLADES MOVING DISP
334	WR17X1363	BLADES MOVING DISP
335	WR2X4139	SPACER
337	WR2X4138	SPACER CRUSHER STATIONAR
341	WR29X10045	WASHER CRUSHER BLADE
342	WR02X10691	STATIONARY BLADES ASM
345	WR17X10699	COVER CRUSHER HSG DISP
350	WR17X10835	AUGER ASM DISP
352	WR30X10020	BUCKET ICE DISP
354	WR17X11037	BUCKET & AUGER ASM
359	WR72X10047	GLIDE BUCKET LH DISP
359	WR72X10048	GLIDE BUCKET RH DISP
361	WR17X10788	COVER MOTOR & SOLENOID
362	WR02X10656	BRACKET ANGLE
365	WR02X10565	DRIVE AUGER DISP
366	WR01X10190	NUT J
367	WR01X10198	SCR 8-18 TPT 1/4
368	WR02X10982	BRACKET IM
369	WR60X10056	MOTOR CRUSHER DISP
371	WR01X10192	SCR 10-18 HI/LO HXW 1/2
375	WR23X10172	HARNES MOTOR & SOL
377	WR2X7309	SADDLE SOLENOID
378	WR62X58	SOLENOID ARM ASM
379	WR17X1063	SHROUD SOLENOID
380	WR17X1064	PLUNGER SOLENOID
381	WR2X4257	PIN SPIRAL
382	WR2X4258	SPRING SOLENOID LINKAGE
383	WR17X1065	COLLAR SOLENOID DISP
384	WR17X1066	STIRRUP SOLENOID DISP
385	WR2X4259	PIN SPIRAL
387	WR17X11032	COVER BUCKET DISP
416	WR71X10314	SHELF CHILLER
820	WR30X10012	ICEMAKER ASM
867	WR29X10047	CUP FILL IM

REF. G.E. MODEL. PSS25SGMDBS

SECCION DEL ENFRIADOR



REF. G.E. MODEL. PSS25SGMDBS

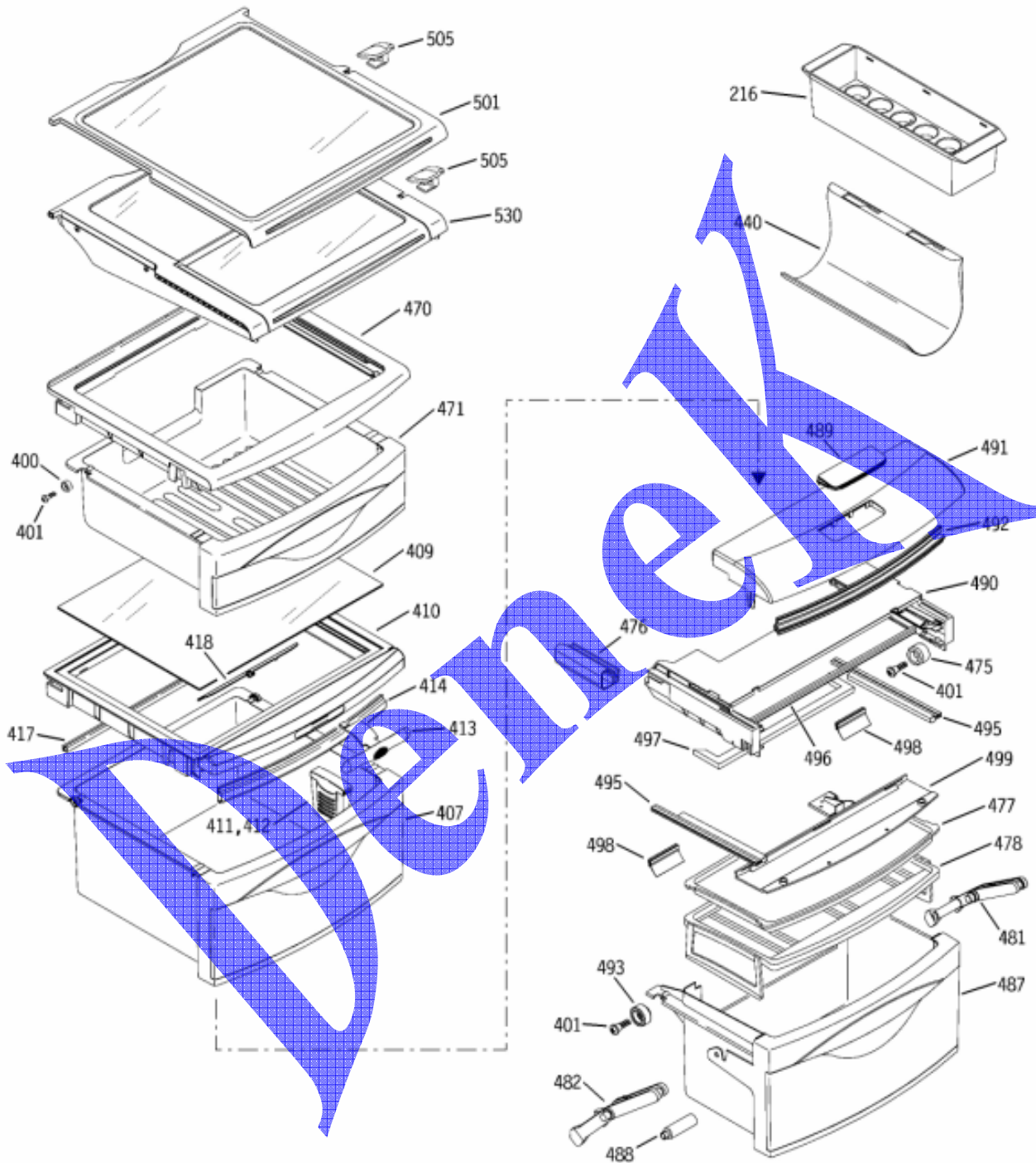
SECCION DEL ENFRIADOR

NUMERO	N.DE PARTE	DESCRIPCION
10	WR01X10065	SCR 8-18 BA POR 5/8 SS
200	WR17X10802	COVER FF TOWER
201	WR17X10803	EPS FF TOWER
202	WR14X10062	GASKET FF TOWER
203	WR17X10800	COVER WATER FILTER
204	WR02X10676	FRAME SUPPORT PINS
205	WR02X10678	GROMMET
206	WR02X10671	GRILLE AIR RETURN
212	WR02X10689	GROMMET BASE GRILLE
217	WR32X10154	DIAL PAN CHILL
218	WR02X10665	LINKAGE PAN CHILL
219	WR02X10664	SHUTTER PAN CHILL
220	WR02X10644	EPS PAN CHILL
221	WR02X10641	DISCHARGE PAN CHILL
222	WR02X10666	KNOB PAN CHILL
234	WR02X10647	GRILLE SENSOR
235	WR02X10668	SHUNT SENSOR
236	WR55X10027	SENSOR TEMP FF
237	WR55X10028	SENSOR TEMP FF
256	WR17X10839	SHIELD LIGHT TOP FF
259	WR17X10801	LIGHT SHIELD BTM FF
263	WR02X10648	PIN HINGE BTM ADJ HOLLOW
402	WR14X10070	GASKET FF INLET
403	WR14X10071	GASKET FF INLET
404	WR17X10949	DIVERTER FF AIR FLOW
420	WR60X10070	FAN & DAMPER FF ASM
421	WR55X10068	CONTROL CUSTOMER ASM
424	WR55X10120	BOARD ASM TEMP CONTROL
433	WR2X9391	SOCKET & TERMINAL ASM
434	WR02X10645	SOCKET LAMP
435	STD372402	LAMP 40 W
449	WR13X10136	HINGE TOP & PIN ASM
450	WR02X10784	COVER HINGE BK

451	WR13X10159	HINGE BTM BK
453	WR23X10209	HARNESS FF LT
454	WR01X10212	NUT 8-32
455	WR17X10805	COVER FF TUNNEL ASM
456	WR17X11065	BEZEL LIGHT FF
457	WR17X10870	EPS BACK FF INLET ASM
458	WR17X10896	COVER FF INLET
459	WR17X10869	EPS FF INLET ASM
460	WR17X10871	EPS BRIDGE FF INLET
552	WR1X2022	SCR 12-24 TT OVT .900 S
609	WR23X10175	SWITCH LIGHT
727	WR17X10820	SEPARATOR AIR HISIDE
758	WD2X323	SCR 8-32 X 3/8 SPH
790	GWF	FILTER CANISTER
791	WR02X10577	PLUG BYPASS FILTER
792	WR17X11028	FILTER ASM AND TUBE
810	WR17X10734	WATER TANK & TUBE ASM
812	WR17X10732	TUBE PLASTIC
842	WR11X10009	LEVER ASM FF SIDE BK
847	WR1X2027	SPRING CLOSURE

REF. G.E. MODEL. PSS25SGMDBS

ENTREPAÑOS Y VIDRIOS ENFRIADOR



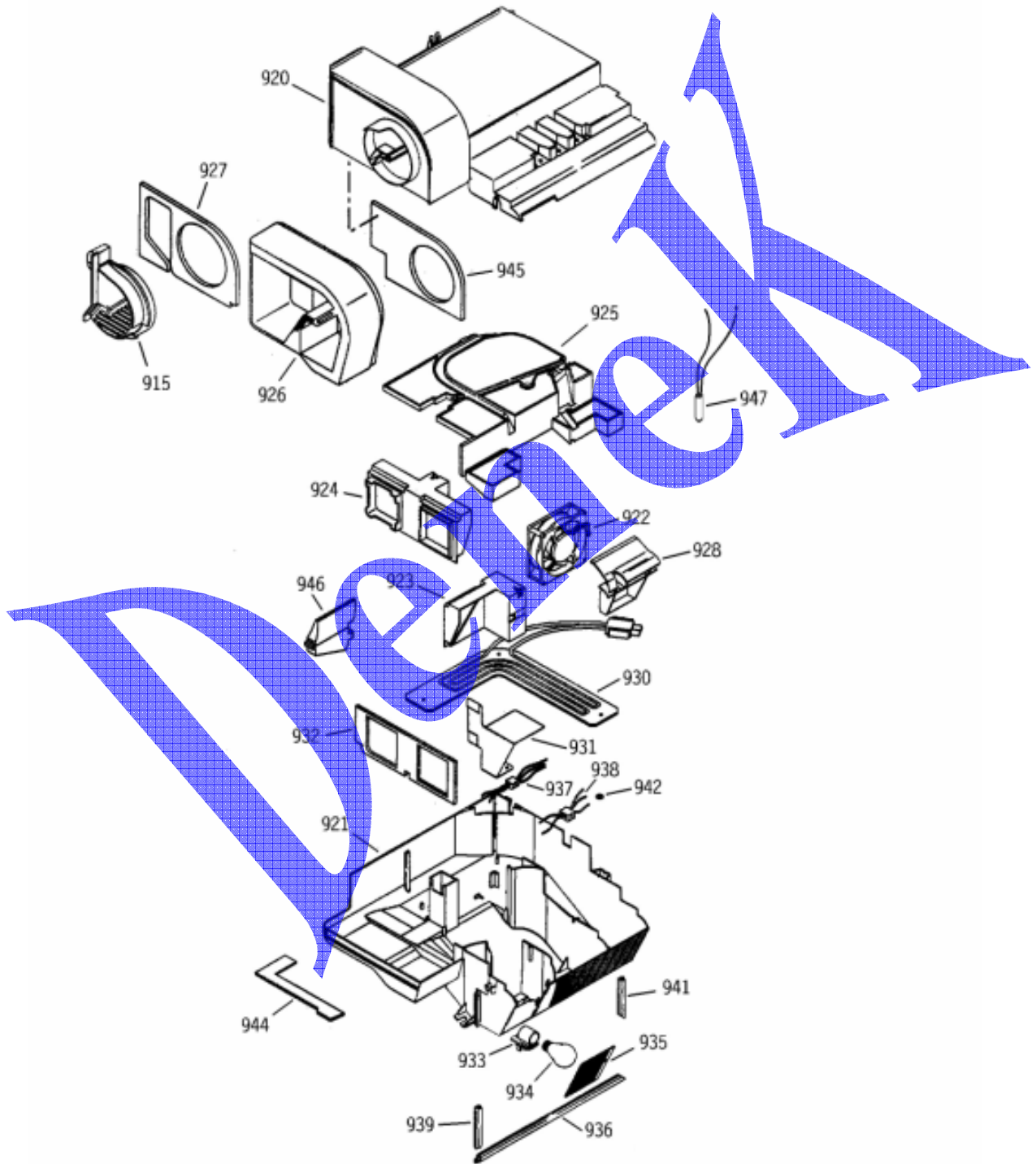
REF. G.E. MODEL. PSS25SGMDBS

ENTREPAÑOS Y VIDRIOS ENFRIADOR

NUMERO	N.DE PARTE	DESCRIPCION
216	WR32X10150	BUCKET EGG
400	WR01X10209	WHEEL PAN COVER
401	WR01X10214	SCR 10-16 PL PNP 5/8 SZN
407	WR32X10190	PAN MIDDLE CHILL ASM
409	WR32X10156	GLASS PAN COVR
410	WR32X10151	COVER MIDDLE PAN
411	GFSFR02	FRESHSAVER FILTER 2PK
412	WR02X10684	HOLDER FRESHSAVER
413	WR02X10650	HUMIDITY CONTROL
414	WR14X10059	GASKET PAN CRV FRONT
417	WR14X10058	GASKET PAN CRV REAR
418	WR02X10633	SLIDE MIDDLE PAN COVER
440	WR17X10793	WINE RACK
470	WR32X10149	COVER TOP PAN ASM
471	WR32X10147	PAN ASM TOP
475	WR02X10861	WHEEL FRAME FRONT
476	WR14X10102	GASKET PAN CRV REAR
477	WR17X10921	TRAY DRIP CHILL
478	WR17X10922	RACK CHILL
481	WR02X10819	LINKAGE PAN CHILL R.H.
482	WR02X10818	LINKAGE PAN CHILL L.H.
487	WR32X10273	PAN ASM CHILL
488	WR02X10815	BOSS SPACER
489	WR04X10094	NAMEPLATE CHILL
490	WR17X10993	FRAME CHILL
491	WR31X10015	COVER FRONT CHILL
492	WR14X10105	SEAL FRONT CHILL
493	WR02X10807	WHEEL AND RING ASM
495	WR14X10098	SEAL SIDES CHILL
496	WR14X10104	SEAL MIDDLE CHILL
497	WR14X10100	SEAL FRAME & AHU CHILL
498	WR14X10106	SEAL REAR CHILL
499	WR17X10918	PLATE SEAL CHILL
501	WR71X10262	SHELF SLIDEOUT ASM
505	WR02X10662	STOP SHELF
530	WR71X10258	SHELF TUCKAWAY ASM

REF. G.E. MODEL. PSS25SGMDBS

SECCION DEL MOTOR EVAPORADOR



REF. G.E. MODEL. PSS25SGMDBS

SECCION DEL MOTOR EVAPORADOR

NUMERO	N.DE PARTE	DESCRIPCION
915	WR02X10808	GRILL MULLION
920	WR31X10008	COVER UPPER
921	WR31X10006	COVER LOWER
922	WR60X10064	FAN CHILL
923	WR60X10063	DAMPER ASM DESUPPLY
924	WR60X10062	DAMPER ASM SUPPLY
925	WR31X10007	PLENUM TOP
926	WR31X10009	DUCT CAVITY CHILL
927	WR14X10095	GASKET MULLION DUCT
928	WR31X10011	GRILL VANES CHILL
930	WR51X10049	HEATER THAW
931	WR02X10809	REFLECTOR
932	WR14X10096	GASKET DAMPER CHILL
933	WR31X10012	LIGHT SOCKET CHILL
934	WR02X10812	LAMP 40W CHILL
935	WR31X10010	GRILL BULB CHILL
936	WR14X10092	SEAL AHU CHILL
937	WR23X10203	HARNESS CHILL AC
938	WR23X10237	HARNESS CHILL DC
939	WR14X10090	SEAL AHU CHILL
941	WR14X10091	SEAL AHU CHILL
942	WR01X10239	WASHER RETAINER CHILL
944	WR14X10093	GASKET LC
945	WR14X10094	GASKET UC
946	WR31X10013	NOISE WALL CHILL
947	WR55X10030	SENSOR TEMPERATURE