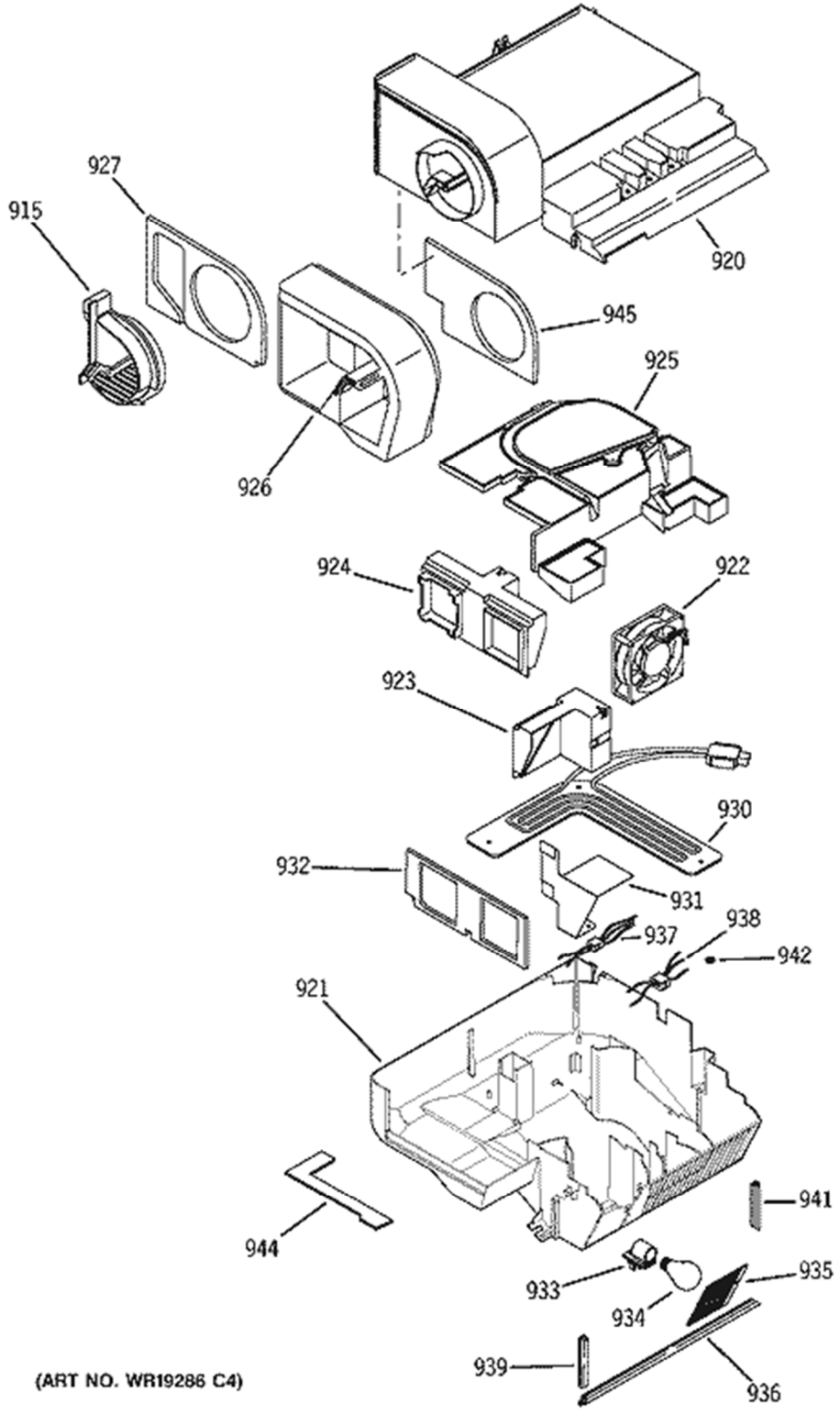




REFRIGERADOR PSS26NGPBBB



(ART NO. WR19286 C4)

BENITO JUÁREZ #1500 GPE ZITON, CD. GUADALUPE NUEVO LEÓN TEL: 8183377999 Y 49
HORARIOS: LUNES A VIERNES 8:30 A 6:00 PM Y SÁBADOS DE 8:30 A 2:00 PM
WEB: www.denek.com



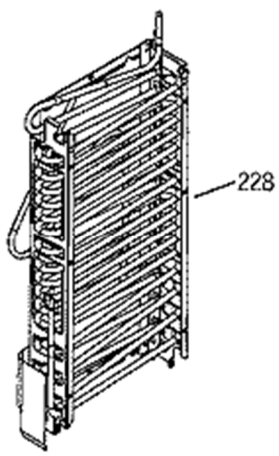
REFRIGERADOR PSS26NGPBBB

Guía	Descripción	Código
915	GRILL MULLION	WR02X10808
920	COVER UPPER	WR31X10008
921	COVER LOWER	WR31X10043
922	QC FAN & HARNESS Assembly	WR17X13035
923	Damper Assembly DeSupply	WR60X10063
924	Damper Control Assembly	WR60X10062
925	PLENUM TOP	WR31X10007
926	DUCT CAVITY CHILL	WR31X10009
927	GASKET MULLION DUCT	WR14X10095
930	HEATER THAW	WR51X10138
931	REFLECTOR	WR02X10809
932	GASKET DAMPER CHILL	WR14X10096
933	Refrigerator Light Socket	WR31X10079
934	Refrigerator Light Bulb	WR02X10812
935	GRILL BULB CHILL	WR31X10010
936	SEAL AHU CHILL	WR14X10092
937	HARNESS CHILL AC	WR23X10203
938	HARNESS CHILL DC	WR23X10485
939	SEAL AHU CHILL	WR14X10090
941	SEAL AHU CHILL	WR14X10091
942	WASHER RETAINER CHILL	WR01X10239
944	GASKET LC	WR14X10093
945	GASKET UC	WR14X10094



REFRIGERADOR PSS26NGPBBB

Guía	Descripción	Código
228	R. EVAPORATOR REPLACEMENT KIT	WR87X29147



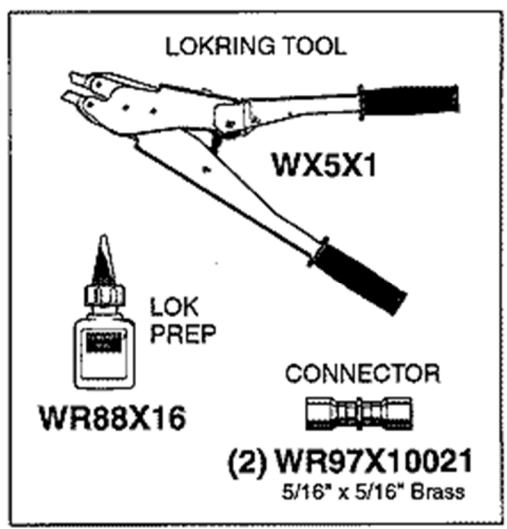
There are two approved evaporator replacement methods. The Lokring® method requires no brazing, by utilizing tight mechanical connections. The heat shield uses the traditional brazing method, but provides protection to the upper liner while brazing the evaporator connections in the freezer compartment.

Always add a new filter drier when servicing the sealed system. Follow each step of the instructions included with the replacement evaporator.

LOKRING® METHOD

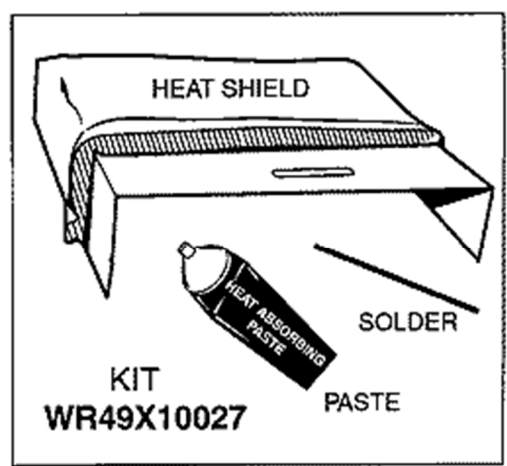
LokRing® is a method of installing the evaporator in the freezer without the use of a torch. It utilizes a mechanical connection rather than a brazed connection. Apply a few drops of LokPrep (a special cleaning and sealing solution), to the ends of the tubing that you wish to join together. The LokRing® tool compresses the connector to ensure a tight mechanical connection. The parts shown to the right are required for the LokRing® replacement method.

For additional information on how to use LokRing®, call 1-800-848-7722 & order publication # 31-9067 (LokRing repair procedures manual) and publication # 31-9066 (Lokring repair procedures VHS video tape).



HEAT SHIELD METHOD

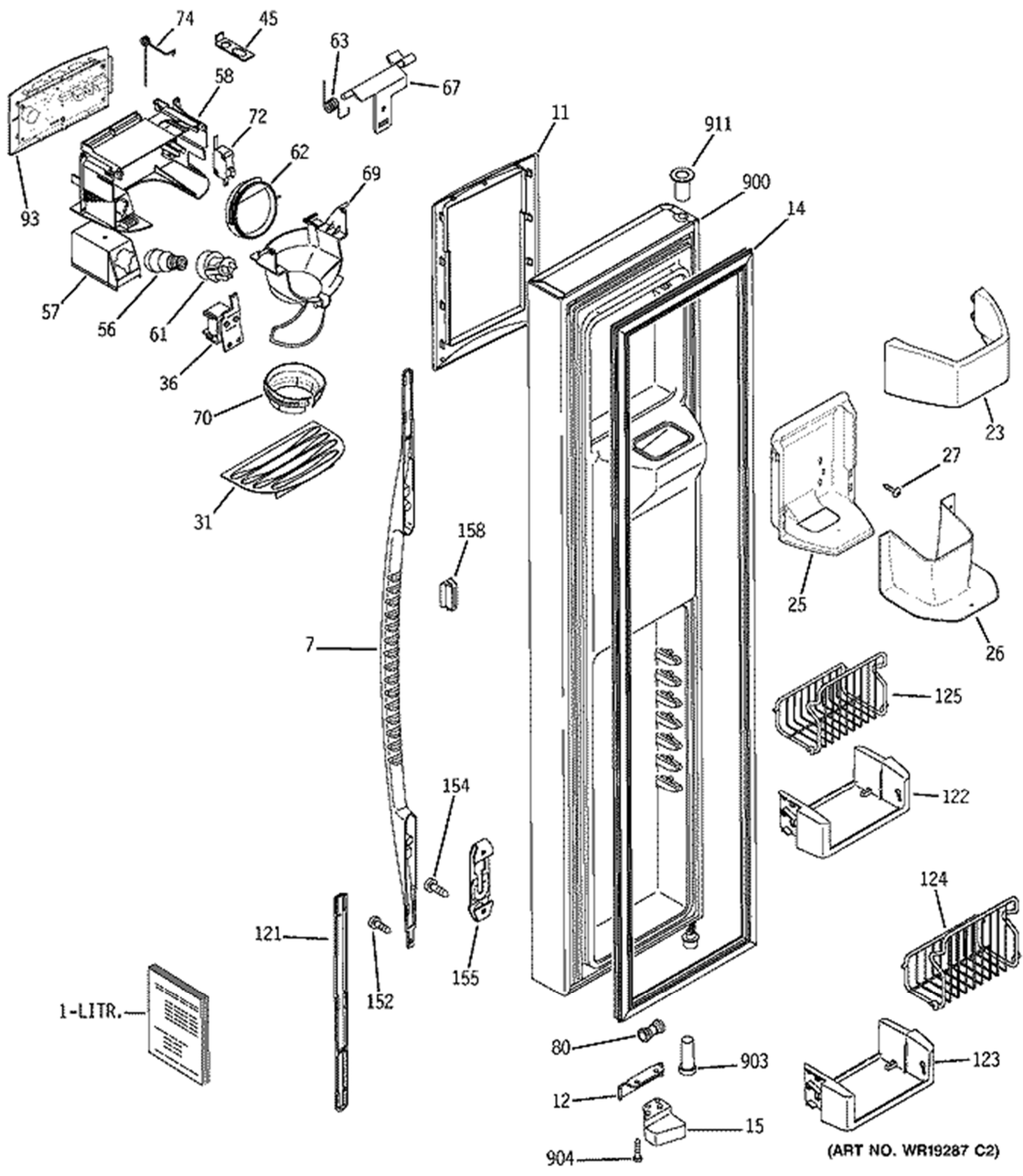
The heat shield kit is used to prevent damage to the refrigerator liner when brazing the evaporator into the sealed system. Refer to the instructions included in the heat shield kit. The kit comes with enough heat absorbing paste, solder and tape to complete four repairs.



(ART NO. WR18798 C)



REFRIGERADOR PSS26NGPBBB



BENITO JUÁREZ #1500 GPE ZITON, CD. GUADALUPE NUEVO LEÓN TEL: 8183377999 Y 49
HORARIOS: LUNES A VIERNES 8:30 A 6:00 PM Y SÁBADOS DE 8:30 A 2:00 PM
WEB: www.denek.com



REFRIGERADOR PSS26NGPBBB

Guía	Descripción	Código
7	HANDLE SXS Assembly BLACK	WR12X10430
11	RECESS TRIM BOWED BLACK	WR38X10219
12	Door Stop - black	WR02X10782
14	Freezer Door Gasket - Black	WR24X20455
15	Freezer Closing Cam - Black	WR02X10780
23	MODULE FZ UPPER	WR71X10493
25	SEAT BUCKET	WR71X10494
26	GUIDE ICE	WR71X10495
27	SCR 8-18 AB OVP 7/8 Stainless Steel	WR01X10387
31	Recess Grille	WR17X11655
36	Dispenser Door Solenoid Assembly	WR62X10055
45	Door Recess Retainer	WR2X8818
56	DISPENSER LIGHT	WR01X37886
57	REFLECTOR LIGHT	WR02X10670
58	Dispenser Housing Shield	WR17X11170
61	Lamp Socket	WR2X9561
62	Dispenser Door Assembly or Flapper	WR17X11653
63	Recess Door Spring	WR02X10585
67	Dispenser Door Recess Crank	WR17X10706
69	Ice Funnel	WR17X11267
70	Funnel Extension - Black	WR49X10076
72	Micro Switch	WR23X10783
74	Torsion-Fit Spring	WR49X10233
80	Union Connector - 5/16 Inch to 5/16 Inc	WR02X11330
93	Dispenser Interface Control - Black	WR55X10298
121	HANDLE SXS Assembly BLACK	WR12X10430
122	MODULE SUPPORT FZ	WR71X10256
123	MODULE SUPPORT FZ	WR71X10255
124	BASKET WIRE TILTOUT FZ	WR21X10111
125	BASKET WIRE TILTOUT FZ	WR21X10110
152	SCR 8-18 AB TRP 3/4 S	WR01X10762
154	SCREW 8-18 AB RNT20 5/8	WR01X10213
155	BRACKET HANDLE LOCK	WR02X10643

BENITO JUÁREZ #1500 GPE ZITON, CD. GUADALUPE NUEVO LEÓN TEL: 8183377999 Y 49
HORARIOS: LUNES A VIERNES 8:30 A 6:00 PM Y SÁBADOS DE 8:30 A 2:00 PM
WEB: www.denek.com



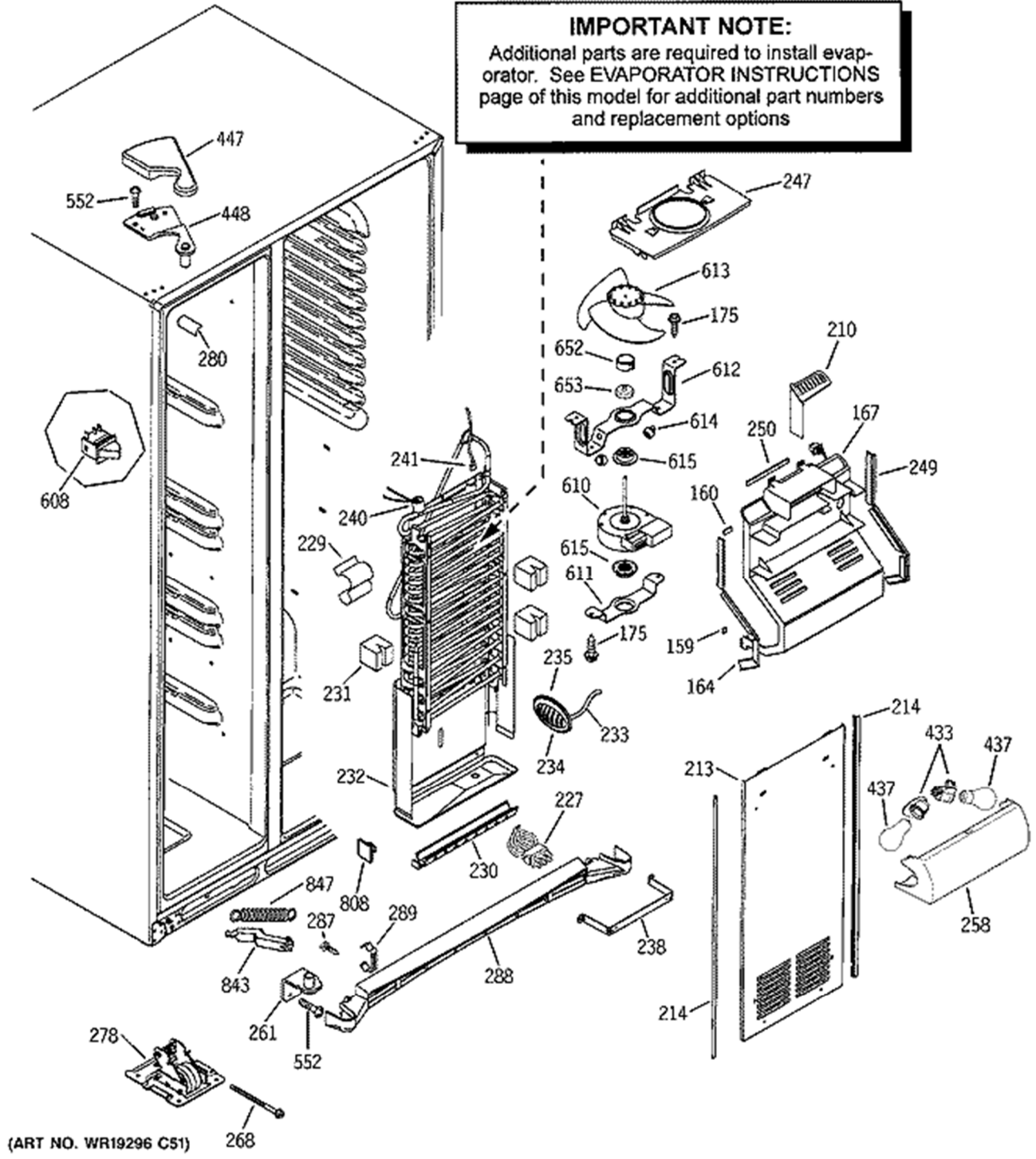
REFRIGERADOR PSS26NGPBBB

Guía	Descripción	Código
158	TAIL MTNG HANDLE RETNR	WR02X10646
900	DOOR Assembly FZ KIT BK	WR78X11540
903	THIMBLE DOOR Bottom FZ BLAC	WR01X10234
904	Screw - 10-16	WR01X10611
911	Thimble (Grommet) for Hinge	WR01X10956



REFRIGERADOR PSS26NGPBBB

IMPORTANT NOTE:
 Additional parts are required to install evaporator. See EVAPORATOR INSTRUCTIONS page of this model for additional part numbers and replacement options



BENITO JUÁREZ #1500 GPE ZITON, CD. GUADALUPE NUEVO LEÓN TEL: 8183377999 Y 49
 HORARIOS: LUNES A VIERNES 8:30 A 6:00 PM Y SÁBADOS DE 8:30 A 2:00 PM
 WEB: www.denek.com



REFRIGERADOR PSS26NGPBBB

Guía	Descripción	Código
159	FOAM STRIP SE Adhesive	WR14X10067
160	FOAM STRIP SE Adhesive	WR14X10068
164	GASKET PLENUM	WR14X10164
167	PLENUM FAN EVAPORATOR	WR17X11977
175	Screw - 8-18 AB IHW 5/8 S	WR01X10652
210	GUARD WIRING	WR74X10131
213	COVER EVAPORATOR FRONT	WR17X11668
214	GASKET EVAP COVER	WR14X10072
227	HARNESS AC FZ INTERMEDIA	WR23X10487
229	Evaporator Thermistor Clip	WR02X10552
230	Heater and Bracket Assembly	WR51X10042
231	BLOCK EVAP SEAL	WR02X10669
232	SHIELD Assembly TROUGH	WR17X10811
233	Temperature Sensor	WR55X10025
234	Ref. Temperature Sensor Cover	WR02X10647
235	Shunt Sensor	WR02X10668
238	BRACKET EVAP COVER	WR02X10667
240	Defrost Thermostat	WR50X10068
241	Temperature Sensor	WR55X10025
247	ORIFICE FAN Assembly	WR17X10812
249	GASKET PLENUM	WR14X10165
250	FOAM STRIP SE Adhesive	WR14X10069
258	SHIELD LIGHT FZ	WR17X11446
261	Bottom Hinge & PIN Assembly	WR13X10160
268	SCREW MOBILITY	WR01X10210
278	MOBILITY FRONT Assembly	WR02X12274
280	CAP CORNER OC BLACK	WR02X10781
287	Screws - Package of 12	WR1X1763D
288	Kickplate Grille	WR74X10270
289	Grille Clip	WR02X10738
433	Light Socket	WR2X9391
437	Light Bulb - 40W	40A15

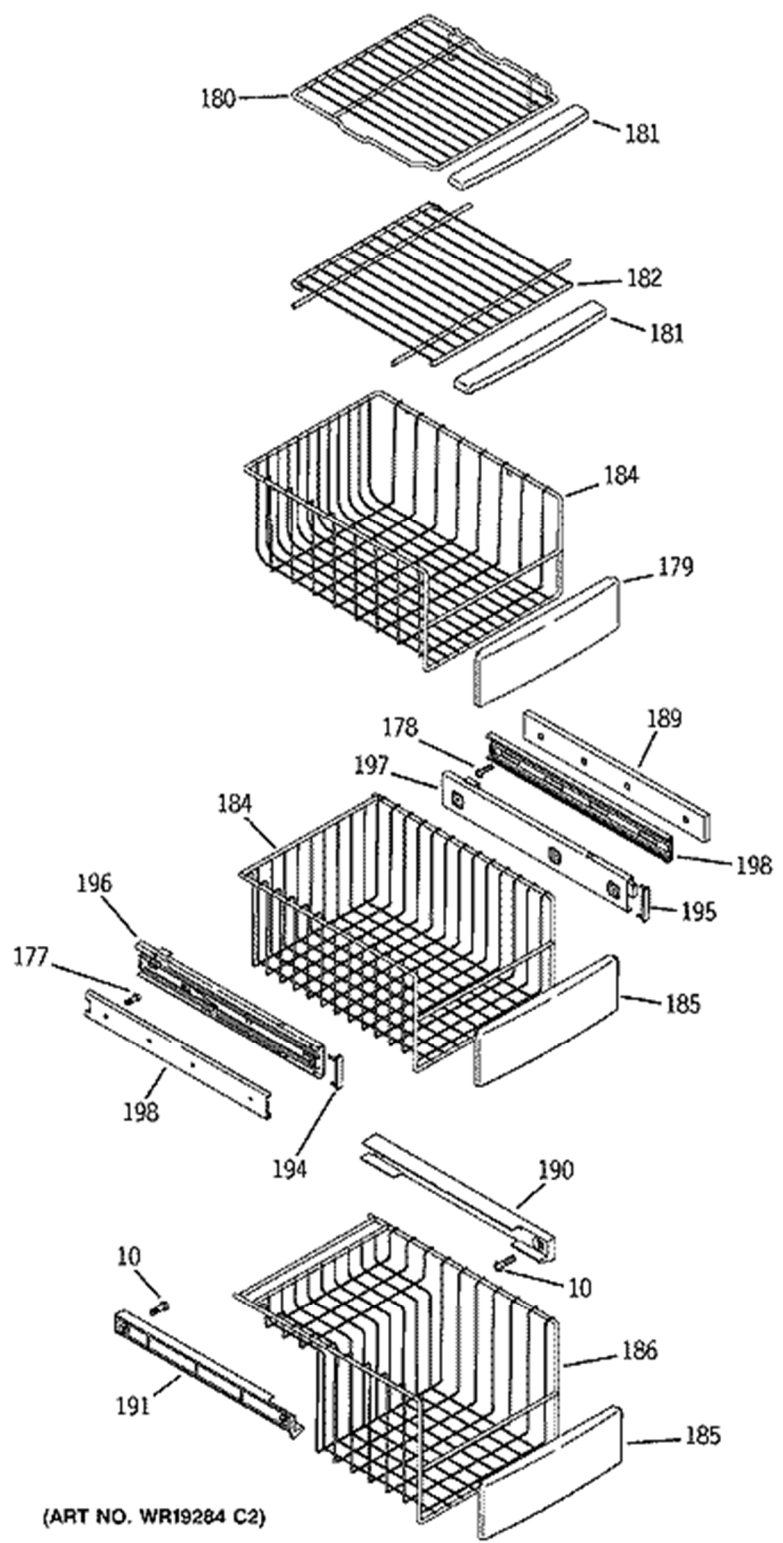


REFRIGERADOR PSS26NGPBBB

Guía	Descripción	Código
447	COVER HINGE BLACK	WR02X10783
448	HINGE TOP & PIN Assembly FZ	WR13X10216
552	Screw - 12-24 TT OVT .900 S	WR01X10631
608	SWITCH LIGHT FZ	WR23X21444
610	Evaporator Fan Motor	WR60X10307
611	Evaporator Fan Mounting Bracket	WR02X10764
612	BRACKET ORIFICE FAN	WR02X10653
613	EVAPORATOR FAN BLADE	WR60X30922
614	Lid Bumper	WR02X10540
615	Evaporator Fan Grommet - Red	WR02X12008
652	Compression Ring	WR02X12149
653	Dust Cap	WR02X10322
808	Tubing Clamp	WR2X4039
843	Freezer Lever - Black	WR11X10010
847	Door Closure Spring	WR1X2027



REFRIGERADOR PSS26NGPBBB



(ART NO. WR19284 C2)

BENITO JUÁREZ #1500 GPE ZITON, CD. GUADALUPE NUEVO LEÓN TEL: 8183377999 Y 49
HORARIOS: LUNES A VIERNES 8:30 A 6:00 PM Y SÁBADOS DE 8:30 A 2:00 PM
WEB: www.denek.com

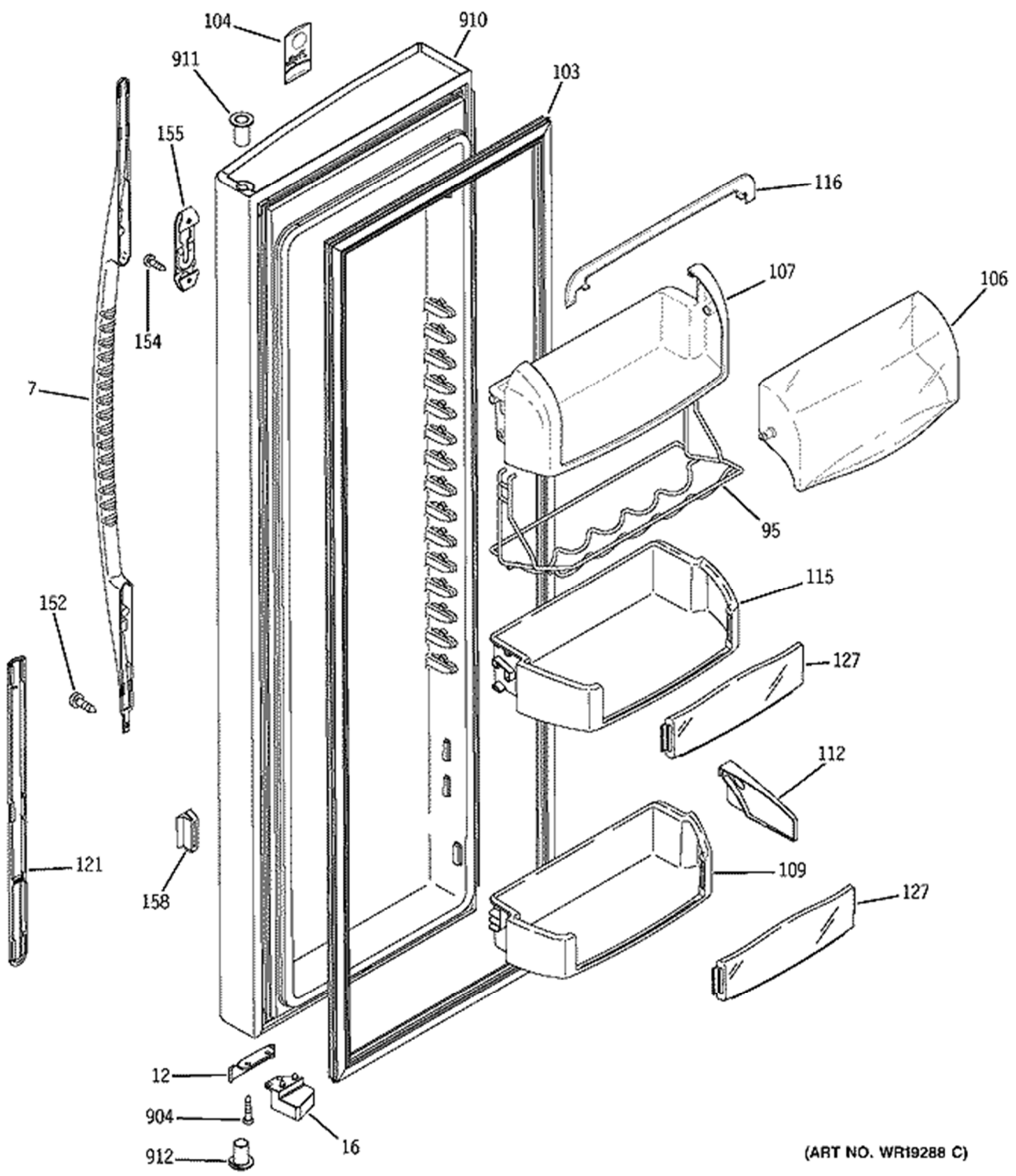


REFRIGERADOR PSS26NGPBBB

Guía	Descripción	Código
10	SCREW	WR01X10065
177	SCR 8-18 AB PNT20 7/16 S	WR01X10613
178	8-18 X 13/16 TX PH WHITE	WR01X10241
179	Handle/Front	WR12X10625
180	Slide-Out Freezer Wire Shelf	WR71X10965
181	Freezer Shelf Trim - White	WR38X10456
182	SHELF ADJUSTABLE FZ	WR71X10502
184	BASKET FZ LONG	WR21X10032
185	Handle/Front	WR12X10625
186	BASKET WIRE FZ SHORT	WR21X10035
189	SPACER	WR17X10913
190	SLIDE BASKET R H	WR17X10916
191	Freezer Basket Slide Rail, Left	WR17X10917
194	COVER L.H.	WR02X10810
195	COVER R.H.	WR02X10811
196	Slide Bracket Kit	WR49X10145
197	Slide Bracket Kit	WR49X10145
198	Slide Bracket Kit	WR49X10145



REFRIGERADOR PSS26NGPBBB



(ART NO. WR19288 C)

BENITO JUÁREZ #1500 GPE ZITON, CD. GUADALUPE NUEVO LEÓN TEL: 8183377999 Y 49
HORARIOS: LUNES A VIERNES 8:30 A 6:00 PM Y SÁBADOS DE 8:30 A 2:00 PM
WEB: www.denek.com

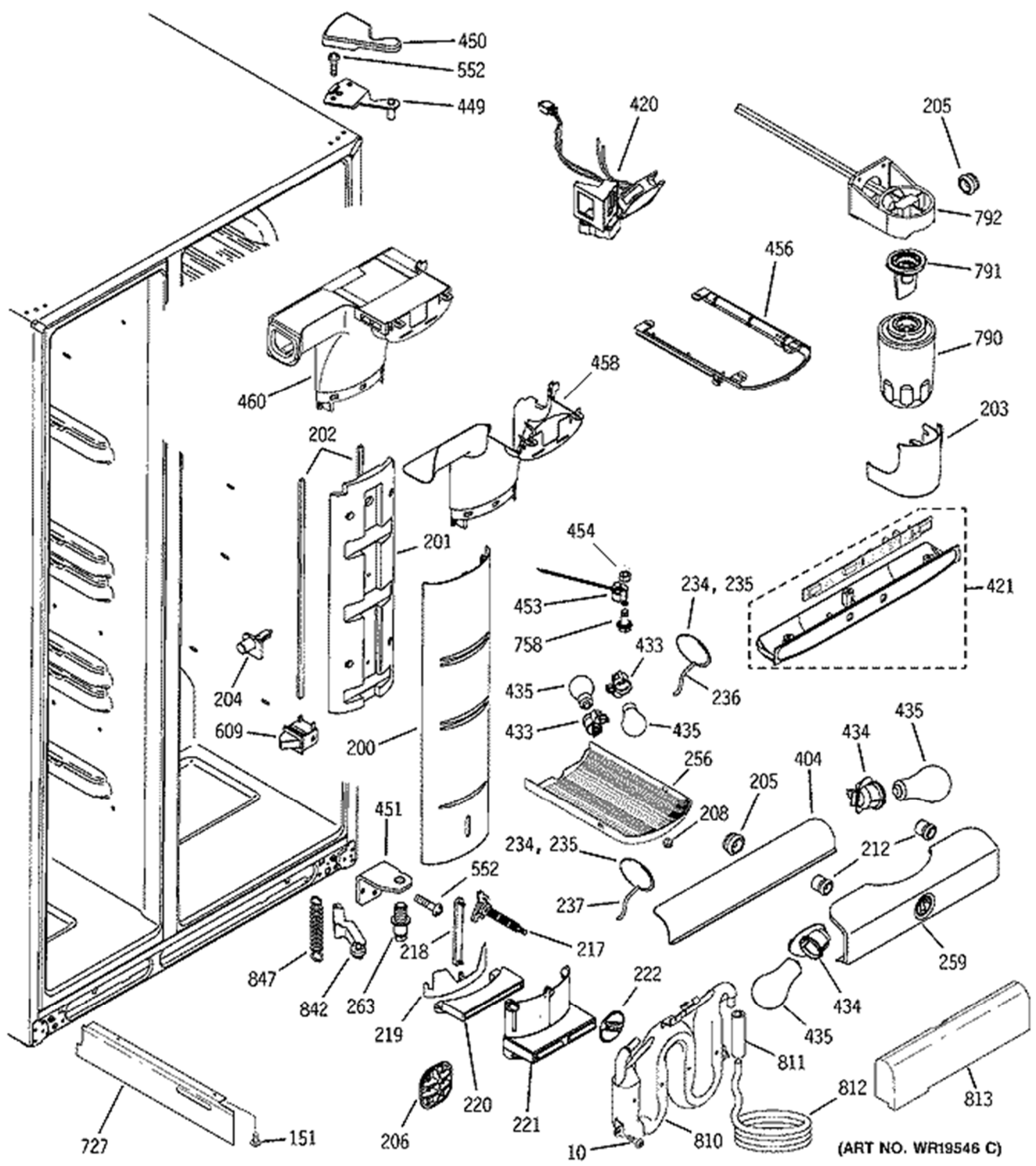


REFRIGERADOR PSS26NGPBBB

Guía	Descripción	Código
7	HANDLE SXS Assembly BLACK	WR12X10430
12	Door Stop - black	WR02X10782
16	Refrigerator Door Closing Cam	WR02X10779
95	WINE & BEVERAGE RACK	WR17X11481
103	Fresh Food Door Gasket - Black	WR24X20456
104	LENS NAMEPLATE	WR04X10129
106	Dairy Door - Clear	WR22X10042
107	COMPARTMENT DAIRY	WR22X10041
109	MODULE SHELF FF	WR71X10979
112	Snugger Separater	WR02X10582
115	Refrigerator Door Shelf Bin	WR71X10973
116	TRIM DAIRY COMPARTMENT	WR22X10043
121	HANDLE SXS Assembly BLACK	WR12X10430
127	Module Shelf Insert	WR71X10764
152	SCR 8-18 AB TRP 3/4 S	WR01X10762
154	SCREW 8-18 AB RNT20 5/8	WR01X10213
155	BRACKET HANDLE LOCK	WR02X10643
158	TAIL MTNG HANDLE RETNR	WR02X10646
904	Screw - 10-16	WR01X10611
910	DOOR FOAM Assembly FF BK	WR78X11790
911	Thimble (Grommet) for Hinge	WR01X10956
912	THIMBLE DOOR BOT BLACK	WR01X10232



REFRIGERADOR PSS26NGPBBB



BENITO JUÁREZ #1500 GPE ZITON, CD. GUADALUPE NUEVO LEÓN TEL: 8183377999 Y 49
HORARIOS: LUNES A VIERNES 8:30 A 6:00 PM Y SÁBADOS DE 8:30 A 2:00 PM
WEB: www.denek.com



REFRIGERADOR PSS26NGPBBB

Guía	Descripción	Código
10	SCREW	WR01X10065
151	Shoulder Screw	WR01X10623
200	COVER FF TOWER	WR17X10802
201	EPS FF TOWER	WR17X10803
202	GASKET FF TOWER	WR14X10062
203	COVER WATER FILTER	WR17X10800
204	Frame Support Kit	WR49X10135
205	GROMMET	WR02X10678
206	GRILLE AIR RETURN	WR02X10671
208	NUT 6-32 UN	WR01X10431
212	GROMMET BASE GRILL	WR02X10689
217	DIAL PAN CHILL	WR32X10154
218	LINKAGE PAN CHILL	WR02X10665
219	SHUTTER PAN CHILL	WR02X10664
220	DUCT PAN CHILL	WR02X11261
221	DISCHARGE PAN CHILL	WR02X10641
222	KNOB PAN CHILL	WR02X10666
234	Ref Temperature Sensor Cover	WR02X10647
235	Shunt Sensor	WR02X10668
236	Temperature Sensor	WR55X10025
237	Temperature Sensor	WR55X10025
256	SHIELD LIGHT FF	WR17X10839
259	Light Shield	WR17X10801
263	PIN HINGE Bottom ADJ HOLLOW	WR02X12263
404	DIVERTER FF AIRFLOW	WR17X11609
420	Air Inlet Cover Kit	WR49X10091
421	Control Panel Interface Assembly	WR55X10390
433	Light Socket	WR2X9391
434	SOCKET LAMP	WR02X10645
435	Light Bulb - 40W	40A15
449	HINGE TOP & PIN Assembly	WR13X24863
450	COVER HINGE BLACK	WR02X10784

BENITO JUÁREZ #1500 GPE ZITON, CD. GUADALUPE NUEVO LEÓN TEL: 8183377999 Y 49
HORARIOS: LUNES A VIERNES 8:30 A 6:00 PM Y SÁBADOS DE 8:30 A 2:00 PM
WEB: www.denek.com



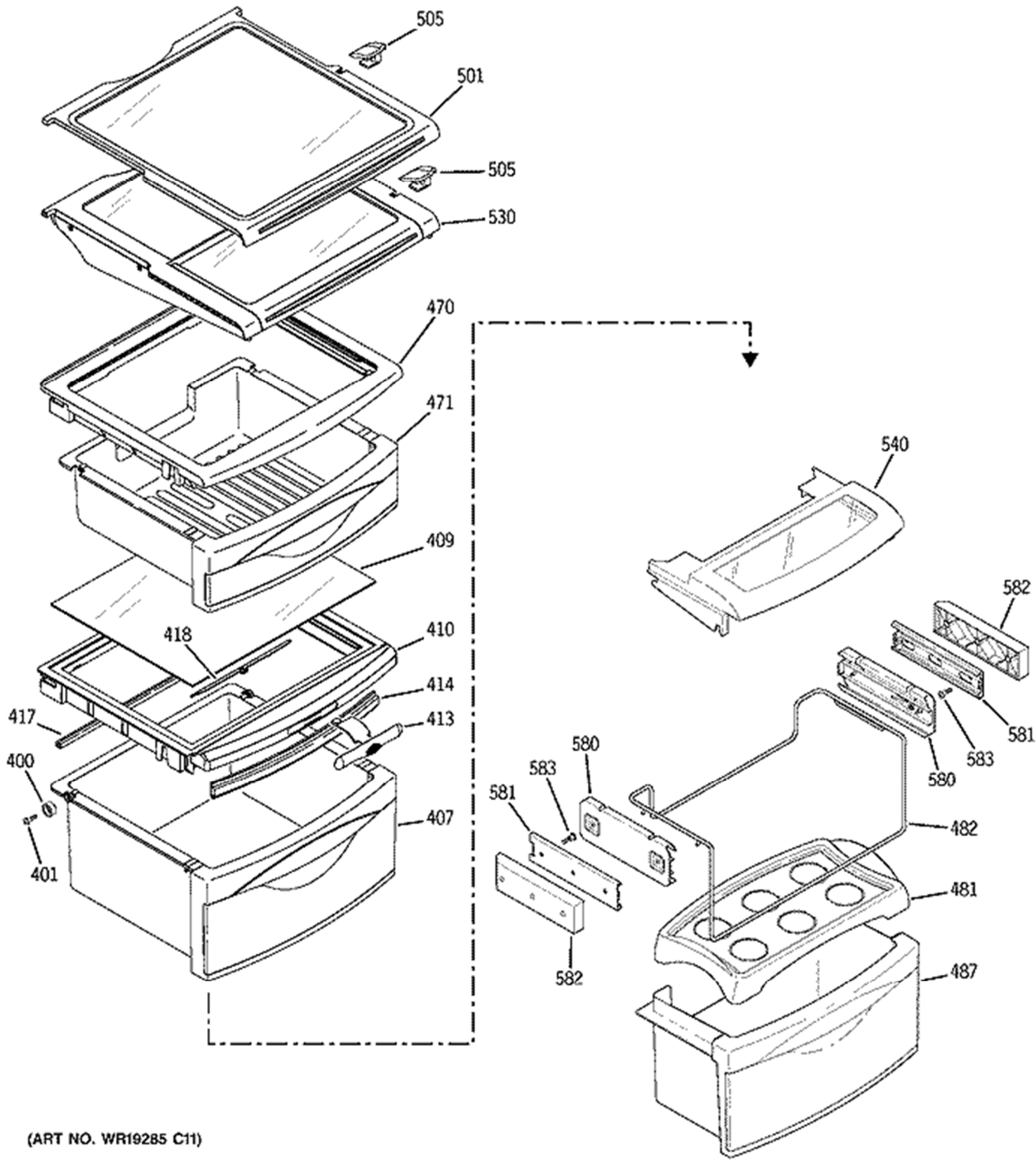
REFRIGERADOR PSS26NGPBBB

Guía	Descripción	Código
451	Bottom Hinge BLACK	WR13X10159
453	HARNESS/TSTAT FF LT	WR23X10209
454	NUT 8-32	WR01X10212
456	BEZEL LIGHT FF	WR71X10290
458	Air Inlet Cover Kit	WR49X10091
460	Air Inlet Cover Kit	WR49X10091
552	Screw - 12-24 TT OVT .900 S	WR01X10631
609	REF. DOOR LIGHT SWITCH	WR23X31507
727	SEPARATOR AIR HISIDE	WR17X11500
758	Screws - Package of 12	WD2X323D
790	Refrigerator Ice and Water Filter	MWFP
791	MWF BYPASS	WR17X22070
792	Refrigerator Water Filter Head	WR17X22074
810	Water Tank Assembly	WR17X11440
811	INSUL TUBE FOAM	WR02X11288
812	Plastic Tubing - 5/16 Inch	WR17X2891
813	INSULATION TANK FOAM	WR17X11620
842	Fresh Food Lever	WR11X10009
847	Door Closure Spring	WR1X2027

BENITO JUÁREZ #1500 GPE ZITON, CD. GUADALUPE NUEVO LEÓN TEL: 8183377999 Y 49
HORARIOS: LUNES A VIERNES 8:30 A 6:00 PM Y SÁBADOS DE 8:30 A 2:00 PM
WEB: www.denek.com



REFRIGERADOR PSS26NGPBBB



(ART NO. WR19285 C11)

BENITO JUÁREZ #1500 GPE ZITON, CD. GUADALUPE NUEVO LEÓN TEL: 8183377999 Y 49
HORARIOS: LUNES A VIERNES 8:30 A 6:00 PM Y SÁBADOS DE 8:30 A 2:00 PM
WEB: www.denek.com



REFRIGERADOR PSS26NGPBBB

Guía	Descripción	Código
400	WHEEL PAN COVER	WR01X10209
401	Screw	WR01X10615
407	Crisper Drawer	WR32X26230
409	Pan Cover Glass	WR32X10156
410	Middle Pan Cover Frame - No Glass	WR32X26246
413	Humidity Control - White	WR02X10821
414	Crisper Pan Front Gasket	WR14X10059
417	GASKET PAN CRV REAR	WR14X10058
418	SLIDE MIDDLE PAN COVER	WR02X10633
470	COVER TOP PAN Assembly	WR32X10566
471	Snack Pan	WR32X26198
481	TRAY CUSTOM COOL	WR31X10077
482	Pan Kit	WR49X10125
487	Pan Kit	WR49X10125
501	Slide-Out Shelf	WR71X10582
505	Shelf Stop - white	WR02X10662
530	Tuck-Away Shelf	WR71X10613
540	Crisper Pan Cover - White	WR31X10044
580	SLIDE AND BRACKET Assembly	WR72X10140
581	Slide Bracket Kit - Left and Right Side	WR49X10144
582	SPACER SLIDE	WR72X10142
583	Screw - 8/18 AB HW 1/2 S	WR01X10629

BENITO JUÁREZ #1500 GPE ZITON, CD. GUADALUPE NUEVO LEÓN TEL: 8183377999 Y 49
HORARIOS: LUNES A VIERNES 8:30 A 6:00 PM Y SÁBADOS DE 8:30 A 2:00 PM
WEB: www.denek.com



REFRIGERADOR PSS26NGPBBB

Guía	Descripción	Código
165	GASKET MOTOR COVER	WR14X10167
248	GASKET MOTOR COVER	WR14X10168
270	Grommet / Tube Assembly	WR17X11168
320	Front Dispenser Bucket Auger Nut	WR01X10315
321	Retainer Ring (E-Style)	WR1X1367D
325	Housing Crusher Dispenser	WR17X11505
326	Washer - Package of 12	WR1X1366D
328	PIVOT	WR2X4143
328	Ice Deflector Spring	WR2X4561
328	Ice Deflector - White	WR17X10703
329	WIRE ACTUATOR DISP	WR17X11456
330	SPRING DEFLECTOR INT.	WR02X11768
331	RETAINER SPRING	WR02X10580
332	Front Moving Dispenser Blade	WR17X1361
333	Blade - Middle	WR17X1362
334	Rear Moving Dispenser Blade	WR17X1363
335	Icemaker Auger Assembly Spacer	WR2X4139
337	Crusher Stationary Spacer	WR2X4138
342	STATIONARY BLADES Assembly	WR02X10691
345	COVER CRUSHER	WR17X11453
350	Helix Auger	WR17X11455
352	Ice Dispenser Bucket	WR30X10100
354	Ice Bucket and Auger Assembly	WR17X11447
355	Ice Dispensing Drive Cup	WR17X11459
356	Plate - Helix Lock	WR17X11458
357	Helix	WR17X11457
358	SCR 8-18 AB PHR 1/2 S	WR01X10389
359	GLIDE BUCKET Right Hand	WR72X10136
359	GLIDE BUCKET Left Hand	WR72X10136
361	COVER MTR & SOLENOID	WR17X11460
362	BRACKET ANGLE	WR02X11598
365	DRIVE AUGER DISP	WR02X11534
366	Auger Drive Coupler and Nut	WR01X10190
367	SCR 8-18 TPT 1/4	WR01X10618
368	BRACKET IM MOUNTING	WR02X11336

BENITO JUÁREZ #1500 GPE ZITON, CD. GUADALUPE NUEVO LEÓN TEL: 8183377999 Y 49
HORARIOS: LUNES A VIERNES 8:30 A 6:00 PM Y SÁBADOS DE 8:30 A 2:00 PM
WEB: www.denek.com



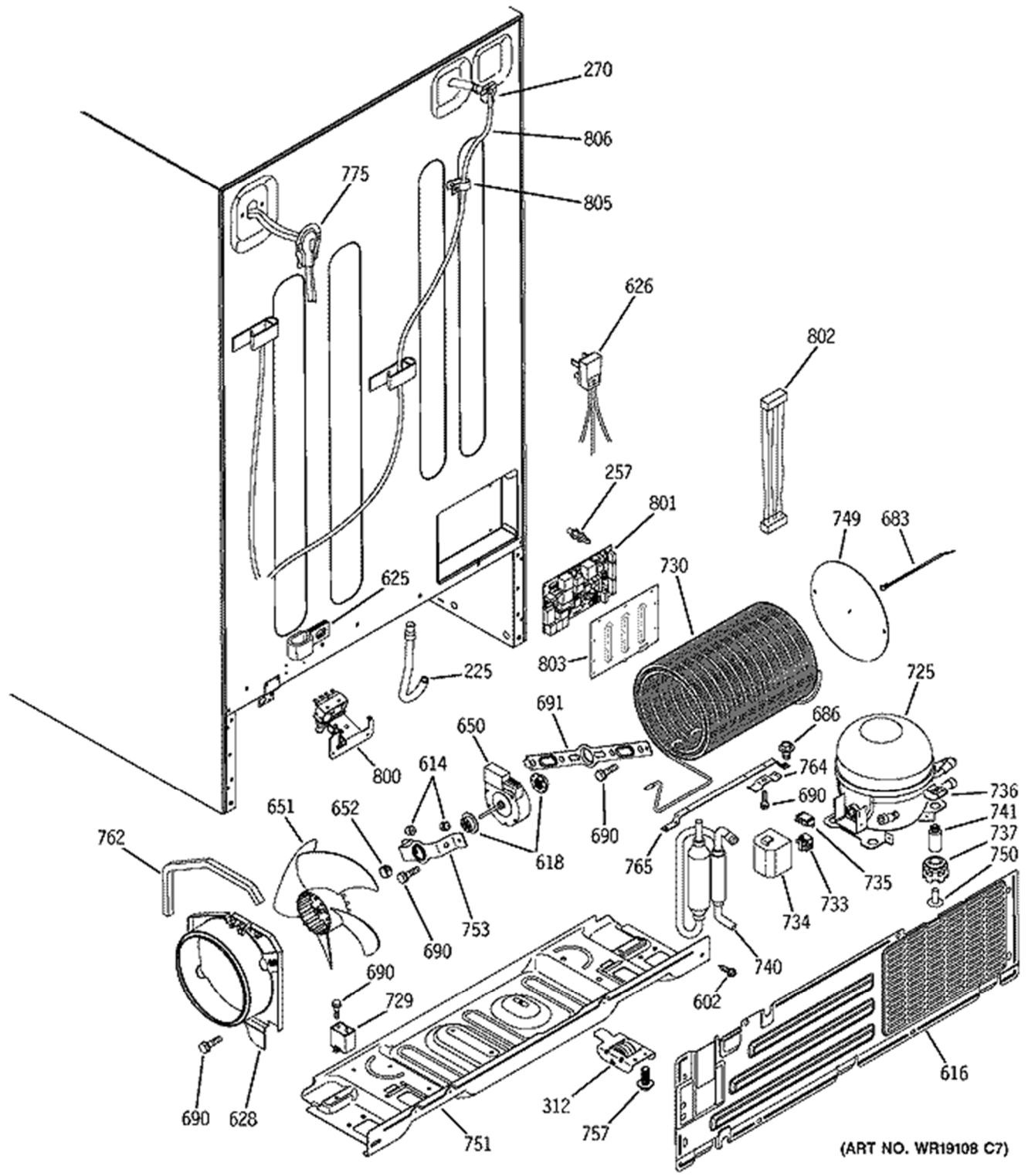
REFRIGERADOR PSS26NGPBBB

Guía	Descripción	Código
369	Auger Motor	WR60X10259
371	Screw - 10-18 Hi/Lo hwx 1/2	WR01X10619
375	HARNESS MOTOR & SOL	WR23X10330
377	Solenoid Saddle	WR2X7309
378	Ice Dispenser Solenoid Service Kit	WR62X23154
379	ARMATURE KIT	WR62X26536
380	ARMATURE KIT	WR62X26536
381	ARMATURE KIT	WR62X26536
382	ARMATURE KIT	WR62X26536
383	Ice Dispenser Solenoid Service Kit	WR62X23154
384	ARMATURE KIT	WR62X26536
385	ARMATURE KIT	WR62X26536
386	BOOT AUGER MOTOR INT	WR02X11767
387	COVER BUCKET BOTTOM	WR17X11454
820	Ice Maker	WR30X10093
821	Icemaker Stripper Arm	WR29X10085
867	Refrigerator Ice Maker Fill Cup	WR29X10109

BENITO JUÁREZ #1500 GPE ZITON, CD. GUADALUPE NUEVO LEÓN TEL: 8183377999 Y 49
HORARIOS: LUNES A VIERNES 8:30 A 6:00 PM Y SÁBADOS DE 8:30 A 2:00 PM
WEB: www.denek.com



REFRIGERADOR PSS26NGPBBB



BENITO JUÁREZ #1500 GPE ZITON, CD. GUADALUPE NUEVO LEÓN TEL: 8183377999 Y 49
HORARIOS: LUNES A VIERNES 8:30 A 6:00 PM Y SÁBADOS DE 8:30 A 2:00 PM
WEB: www.denek.com



REFRIGERADOR PSS26NGPBBB

Guía	Descripción	Código
225	TUBE DRAIN	WR02X11426
257	Refrigerator Electronic Control	WR02X10663
270	Grommet / Tube Assembly	WR17X11168
312	MOBILITY BACK Assembly	WR02X12288
602	SCREW	WR1X1591
614	Lid Bumper	WR02X10540
616	ACCESS COVER	WR82X10103
618	Evaporator Fan Grommet - blue	WR02X11331
625	Water Tubing Clip	WR1X5278
626	Power Cord	WR23X10300
628	CONDENSER FAN SHROUD	WR17X35527
650	DC Condenser Fan Motor - 12V	WR60X10209
651	BLADE CONF FAN Assembly	WR60X24484
652	Compression Ring	WR02X12149
683	WIRE TIE	WR02X11027
686	SCR 10-32 TT HXW 5/16 S	WR01X10654
690	SCREW-PKG 12	WZ5X158D
691	BRACKET COND FAN (REAR)	WR02X10593
725	Compressor Kit	WR87X20798
729	Run Capacitor	WR55X24064
730	Formed Condenser Assembly	WR84X10022
733	PTCR	WR07X10057
734	PROTECTOR CAP	WR02X11557
735	OVERLOAD	WR8X113
736	Clip	WR2X8203
737	GROMMET	WR02X22869
740	R134 DRIER	WR86X25269
741	STUD MTGCOMP	WR1X1779
749	BAFFLE COND AIR	WR17X13158
750	SCREW	WR1X1786
751	BASEPLATE HIGH SIDE	WR17X10693
753	BRACKET COND FAN (Mounting)	WR02X11863
757	SCREW 10-32 TT HXW 5/16	WR01X10194
762	FOAM STRIP SE Adhesive	WR14X10053
764	CLIP COND	WR2X9000

BENITO JUÁREZ #1500 GPE ZITON, CD. GUADALUPE NUEVO LEÓN TEL: 8183377999 Y 49
HORARIOS: LUNES A VIERNES 8:30 A 6:00 PM Y SÁBADOS DE 8:30 A 2:00 PM
WEB: www.denek.com



REFRIGERADOR PSS26NGPBBB

Guía	Descripción	Código
765	BRACKET CONDENSER BAR	WR17X10695
775	COVER WATER LINE	WR17X10796
800	WATER VALVE WITH GUARD	WR57X33326
801	BOARD ASM MAIN CONTROL	WR55X10942C
802	Refrigerator Wire Harness	WR23X10505
803	MAIN BOARD ENCLOSURE Assembly	WR02X11473
805	Water Tubing Clip	WR1X5278
806	Water Line Plastic Tube- 1/4 Inch	WR17X11625

BENITO JUÁREZ #1500 GPE ZITON, CD. GUADALUPE NUEVO LEÓN TEL: 8183377999 Y 49
HORARIOS: LUNES A VIERNES 8:30 A 6:00 PM Y SÁBADOS DE 8:30 A 2:00 PM
WEB: www.denek.com