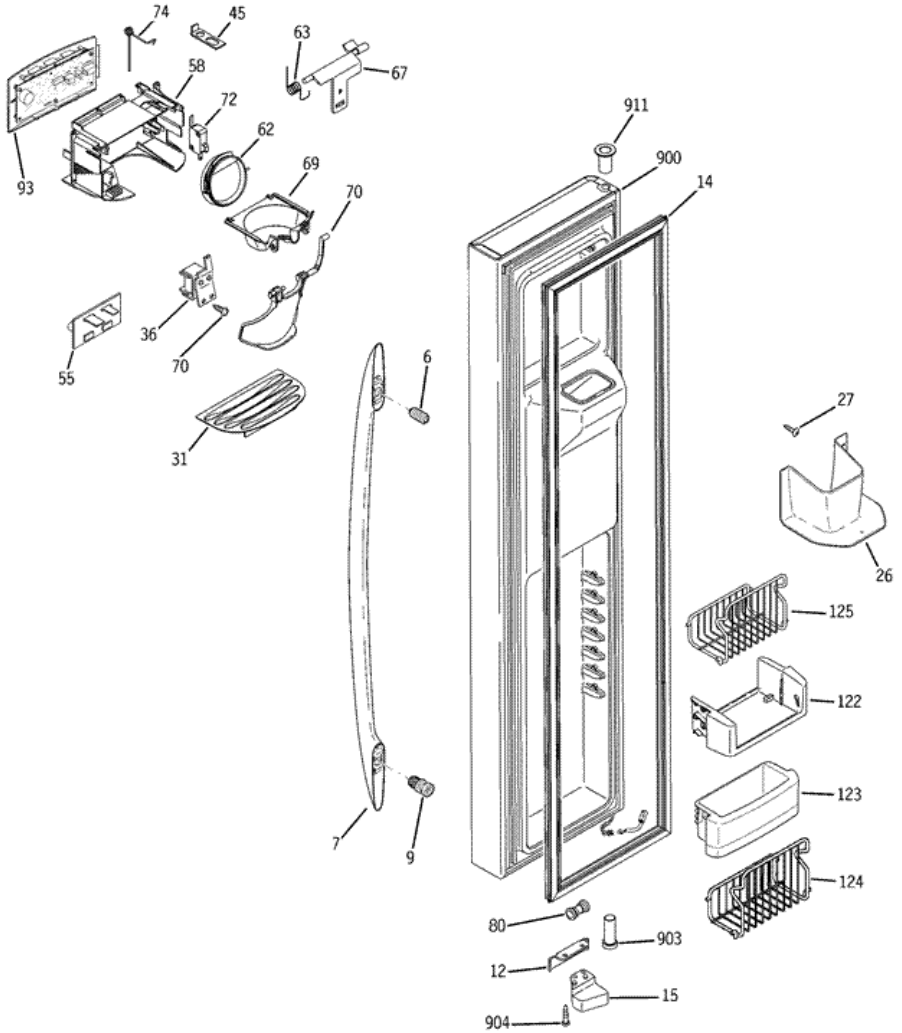


Distribuidor Autorizado

SurteRápido.com

Venta de Refacciones  
Electrodomesticas

## PSS26PSTASS FREEZER DOOR





## PSS26PSTASS FREEZER DOOR

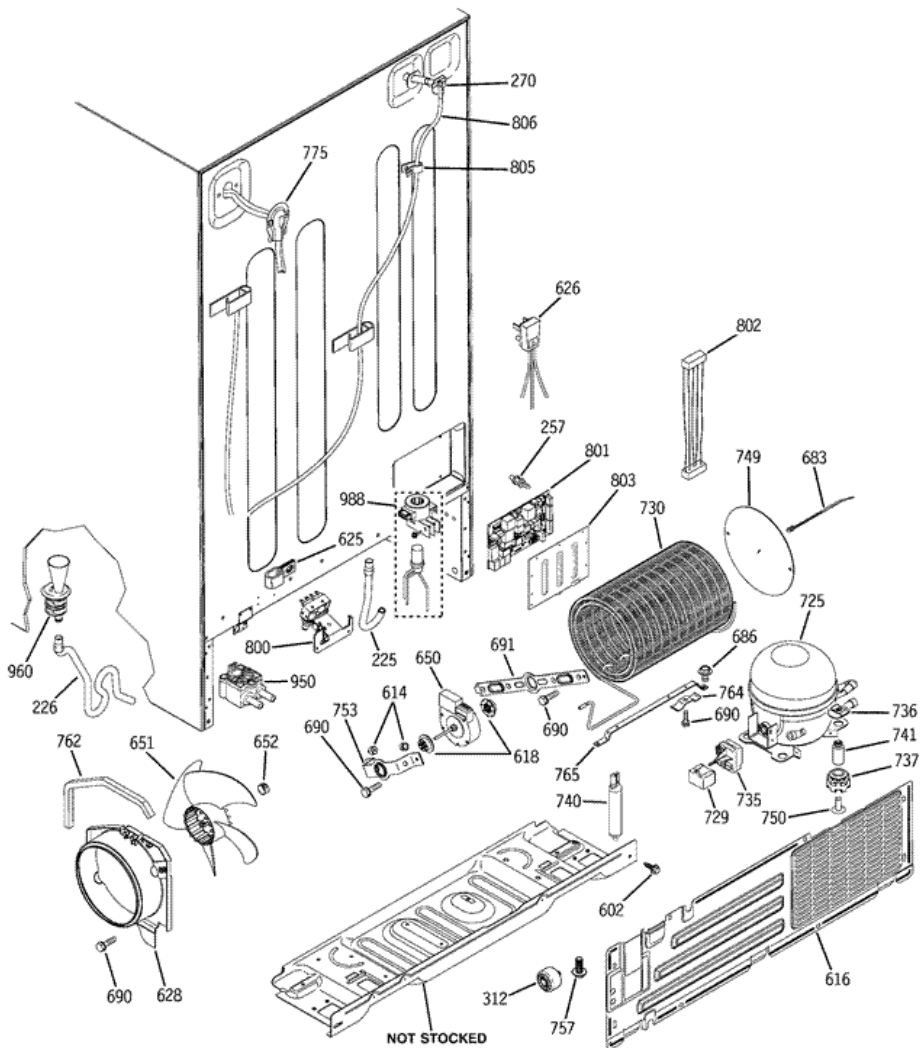
6	WR1X10450	SET SCREW (S/P)
7	WR12X10698	HANDLE ASM HYDROFORM (S/P)
9	WR2X12028	FASTENER HANDLE SS (S/P)
12	WR2X10782	STOP DOOR BK (S/P)
14	WR24X10158	GASKET DOOR FZ BK (S/P)
15	WR2X10780	CAM CLOSURE FZ BK (S/P)
26	WR71X10706	ICE GUIDE (S/P)
27	WR1X10387	SCR 8-18 AB OVP 7/8 SS (S/P)
31	WR17X12133	GRILL RECESS SS (S/P)
36	WR62X10055	SOLENOID ASM
45	WR2X8818	RETAINER RECESS DOOR (S/P)
55	WR55X10899	BOARD ASM DISP LIGHTING (S/P)
58	WR17X12132	HOUSING SHIELD DISP (S/P)
62	WR17X11653	DOOR RECESS ASM (S/P)
63	WR2X10585	SPRING RECESS DOOR (S/P)
67	WR17X10706	CRANK DOOR RECESS (S/P)
69	WR17X12120	FUNNEL ICE DISP (S/P)
70	WR17X12131	PADDLE ICE DISP SS (S/P)
72	WR23X10224	SWITCH (S/P)
74	WR2X12256	SPRING TORSION (S/P)
80	WR2X11330	UNION CONNECTOR (S/P)
93	WR55X10634	INTERFACE DISPENSER ASM (S/P)
122	WR71X10256	MODULE SUPPORT FZ (S/P)
123	WR71X10255	MODULE SUPPORT FZ (S/P)
124	WR21X10111	BASKET WIRE TILTOUT FZ (S/P)
125	WR21X10110	BASKET WIRE TILTOUT FZ (S/P)
900	WR78X11684	DOOR FOAM ASM FZ SS (S/P)
903	WR1X10234	THIMBLE DOOR BTM FZ BK (S/P)
904	WR1X10611	SCR 10-16 (S/P)
911	WR1X10233	THIMBLE DOOR TOP BK (S/P)

Distribuidor Autorizado

**SurteRápido.com**

Venta de Refacciones  
Electrodomesticas

## PSS26PSTASS SEALED SYSTEM





## PSS26PSTASS SEALED SYSTEM

225	WR2X11426	TUBE DRAIN (S/P)
226	WR2X11848	TUBE DRAIN (S/P)
257	WR2X10663	STAND OFF (S/P)
270	WR17X11168	GROMMET AND TUBE ASM (S/P)
312	WR2X11998	MOBILITY WHEEL S KIT ASM (S/P)
602	WR1X10617	SCR 1/4-14 AB IHW 3/4 S (S/P)
614	WR2X10540	BUMPER LID (S/P)
616	WR82X10109	COVER ACCESS (S/P)
618	WR2X11331	GROMMET EVAP FAN (S/P)
625	WR1X5278	CLAMP CABLE (S/P)
626	WR23X10300	POWER CORD (S/P)
628	WR17X12713	SHROUD CONDENSER (S/P)
650	WR60X10209	MOTOR DC COND FAN (S/P)
651	WR60X10206	BLADE CONF FAN ASM (S/P)
652	WR2X12149	RING COMPRESSION (S/P)
683	WR2X11027	WIRE TIE (S/P)
686	WR1X10252	SCR 10-32 TT HXW 5/16 S (S/P)
690	WR1X1466	SCR 8-32 T HXW 3/8 S (S/P)
691	WR2X11742	BRACKET COND FAN (S/P)
725	WR87X10211	COMP. REPL. KIT <b>DESCONTINUADO</b>
729	WR62X79	CAPACITOR (S/P)
730	WR84X10022	CONDENSER ASM (S/P)
735	WR8X10074	OVERLOAD PTCR COMBO (S/P)
736	WR2X8203	CLIP COMPRESSOR MOUNT (S/P)
737	WR2X10099	GROMMET (S/P)
740	WR86X10030	DRYER BIFURCATED HX9 (S/P)
741	WR1X1779	STUD MTG COMPR (S/P)
749	WR17X11978	BAFFLE COND AIR (S/P)
750	WR1X1786	SCREW 10-32 TR 1/2 (S/P)
753	WR2X11863	BRKT COND FAN (MTG) (S/P)
757	WR1X10622	SCR 10-32 B IHXW 1/2 (S/P)
762	WR14X10053	FOAM STRIP SE ADH (S/P)
764	WR2X9000	CLIP, COND MNT (S/P)

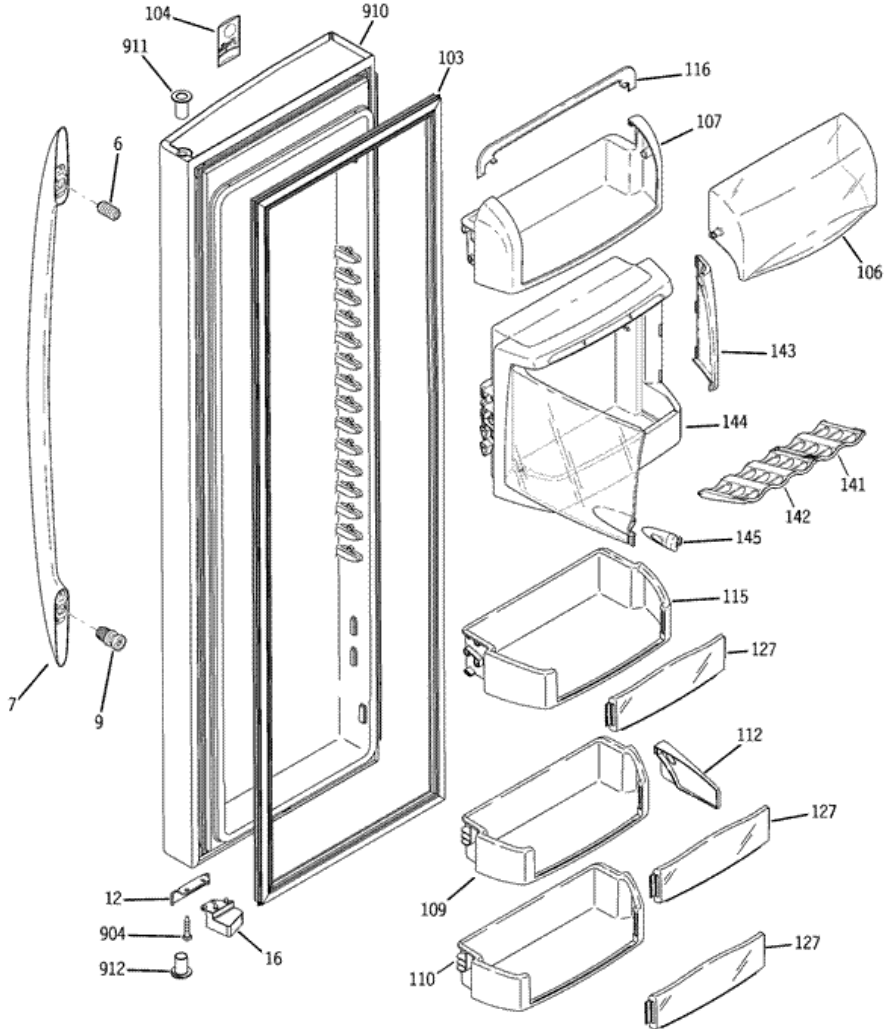
765	WR17X10763	BRACKET CONDENSER BAR (S/P)
775	WR17X10796	COVER WATER LINE (S/P)
800	WR57X10032	WATER VALVE (S/P)
801	WR49X10152	KIT MAIN BOARD SERVICE
802	WR23X10442	HARNESS BOARD INDIV (S/P)
803	WR2X12025	MAIN BOARD ENCLOSURE ASM (S/P)
805	WR2X12265	CLAMP TUBE (S/P)
806	WR17X11625	TUBE PLASTIC (S/P)
950	WR57X10067	FLOW METER (S/P)
960	WR17X12150	GROMMET DRAIN TUBE ASM (S/P)
988	WR57X10053	VALVE ASM (S/P)

Distribuidor Autorizado

SurteRápido.com

Venta de Refacciones  
Electrodomesticas

## PSS26PSTASS FRESH FOOD DOOR





## PSS26PSTASS FRESH FOOD DOOR

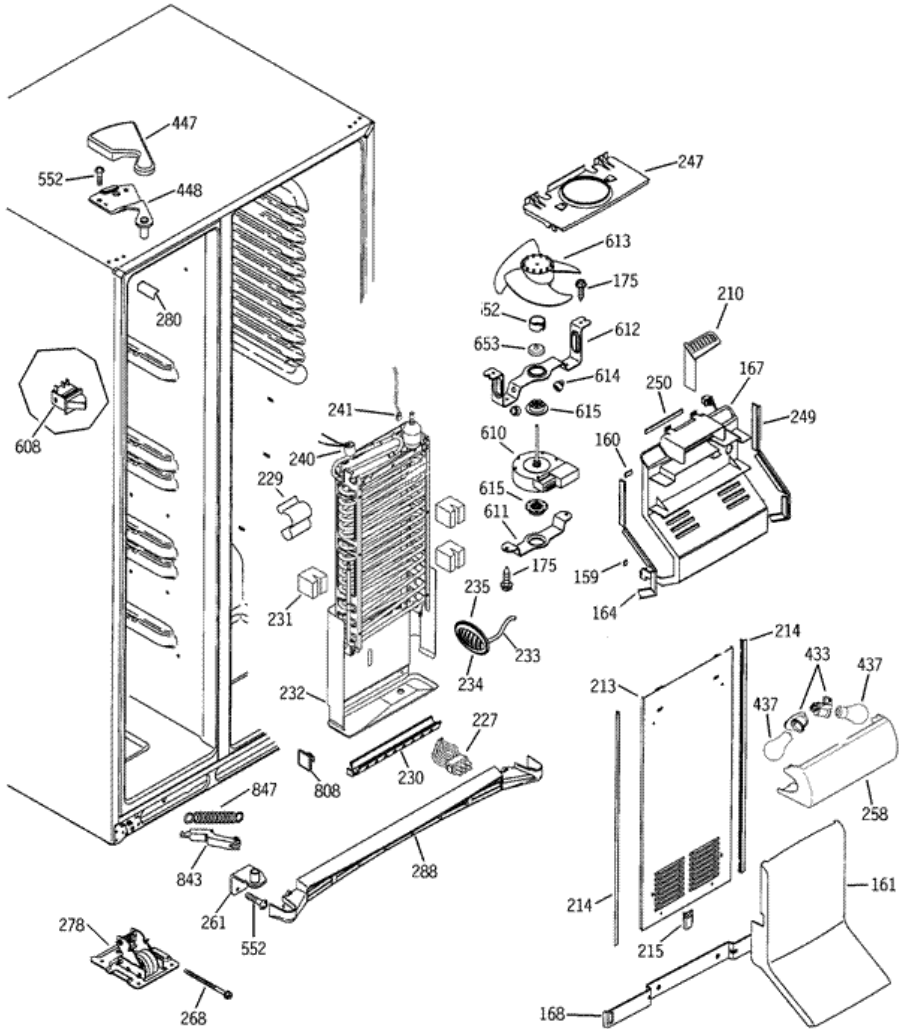
6	WR1X10450	SET SCREW (S/P)
7	WR12X10698	HANDLE ASM HYDROFORM (S/P)
9	WR2X12028	FASTENER HANDLE SS (S/P)
12	WR2X10782	STOP DOOR BK (S/P)
16	WR2X10779	CAM CLOSURE FF BK (S/P)
103	WR24X10157	GASKET DOOR FF BK (S/P)
104	WR4X10129	LENS NAMEPLATE (S/P)
106	WR22X10042	DOOR DAIRY CLEAR (S/P)
107	WR22X10041	COMPARTMENT DAIRY (S/P)
109	WR71X10635	MODULE SHELF FF (S/P)
110	WR71X10605	MODULE SHELF FF (S/P)
112	WR2X10582	SNUGGER MODULE (S/P)
115	WR71X10607	MODULE SHELF FF (S/P)
116	WR22X10043	TRIM DAIRY COMPARTMENT (S/P)
127	WR71X10764	MODULE SHELF INSERT (S/P)
141	WR32X10519	SHELF RH BVR CTR (S/P)
142	WR32X10520	SHELF LH BVR CTR (S/P)
143	WR32X10521	PANEL SIDE BVR CTR (S/P)
144	WR17X12144	BEVERAGE CENTER ASM (S/P)
145	WR17X11922	BVRG CTR LATCH KIT (S/P)
904	WR1X10611	SCR 10-16 (S/P)
910	WR78X11560	DOOR FOAM ASM FF SS (S/P)
911	WR1X10233	THIMBLE DOOR TOP BK (S/P)
912	WR1X10232	THIMBLE DOOR BTM BK (S/P)

Distribuidor Autorizado

SurteRápido.com

Venta de Refacciones  
Electrodomesticas

## PSS26PSTASS FREEZER SECTION





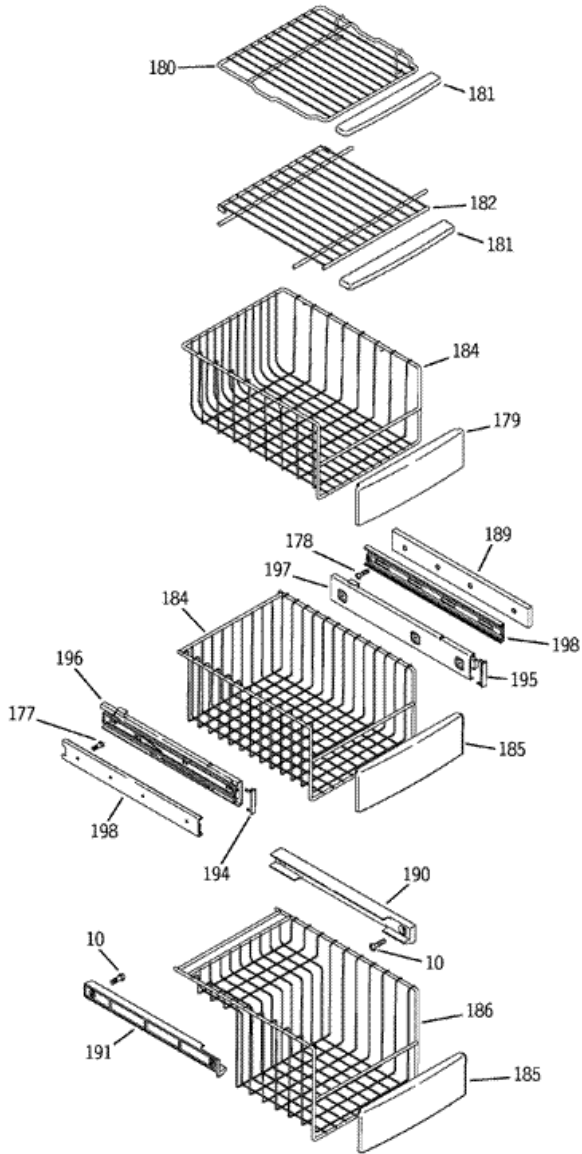


## PSS26PSTASS FREEZER SECTION

159	WR14X10067	FOAM STRIP SE ADH (S/P)
160	WR14X10068	FOAM STRIP SE ADH (S/P)
161	WR17X11257	DUCT EXTENSION FZ ASM (S/P)
164	WR14X10164	GASKET PLENUM (S/P)
167	WR17X11977	PLENUM FAN EVAPORATOR (S/P)
168	WR2X10674	BRACKET FZ TOWER LOWER (S/P)
175	WR1X10035	SCR 8-18 AB IHW 5/8 S (S/P)
210	WR74X10131	GUARD WIRING <b>DESCONTINUADO</b>
213	WR17X11669	COVER EVAPORATOR FRONT (S/P)
214	WR14X10072	GASKET EVAP COVER (S/P)
215	WR1X10211	BRACKET FZ TOWER UPPER (S/P)
227	WR23X10420	HARNESS AC FZ INTERMEDIA (S/P)
229	WR2X10552	CLIP EVAP THERMISTOR (S/P)
230	WR51X10055	HEATER & BRACKET ASM
231	WR2X10669	BLOCK EVAP SEAL (S/P)
232	WR17X10811	SHIELD ASM TROUGH (S/P)
233	WR55X10025	SENSOR TEMP FZ
234	WR2X10647	GRILLE SENSOR (S/P)
235	WR2X10668	SHUNT SENSOR (S/P)
240	WR50X10054	DEFROST THERMOSTAT (S/P)
241	WR55X10025	SENSOR TEMPERATURE FF
247	WR17X10812	ORIFICE FAN ASM (S/P)
249	WR14X10165	GASKET PLENUM (S/P)
250	WR14X10069	FOAM STRIP SE ADH (S/P)
258	WR17X11480	SHIELD LIGHT FZ (S/P)
261	WR13X10160	HINGE BTM & PIN ASM BK (S/P)
268	WR1X10609	SCREW MOBILITY (S/P)
278	WR2X12274	MOBILITY FRONT ASM (S/P)
280	WR2X10781	CAP CORNER OC BK (S/P)
288	WR74X10270	GRILLE BASE (S/P)
433	WR2X9391	SOCKET & TERMINAL ASM
437	WR2X12328	LAMP (S/P)
447	WR2X10783	COVER HINGE BK (S/P)

448	WR13X1026	HINGE TOP & PIN ASM (S/P)
552	WR1X2022	SCREW (S/P)
608	WR23X10179	SWITCH LIGHT (S/P)
610	WR60X10307	MOTOR DC EVAP FAN ASM (S/P)
611	WR2X10764	BRACKET EVAP FAN BTM (S/P)
612	WR2X10653	BRACKET ORIFICE FAN (S/P)
613	WR60X10208	BLADE EVAP FAN ASM (S/P)
614	WR2X10540	BUMPER LID (S/P)
615	WR2X12008	GROMMET EVAP FAN (S/P)
652	WR2X12149	RING COMPRESSION (S/P)
653	WR2X10322	CAP DUST (S/P)
808	WR2X4039	ADHESIVE CLIP (S/P)
843	WR11X10010	LEVER ASM FZ SIDE BK (S/P)
847	WR1X2027	SPRING CLOSURE (S/P)

**PSS26PSTASS FREEZER SHELVES**





## PSS26PSTASS FREEZER SHELVES

10	WR1X10065	SCR 8-18 BA POR 5/8 SS <b>(S/P)</b>
177	WR1X10613	SCR 8-18 AB PNT20 7/16 S <b>(S/P)</b>
178	WR1X10614	SCR 8-18 AB PNT20 13/16 <b>(S/P)</b>
179	WR12X10624	HANDLE <b>(S/P)</b>
180	WR71X10526	SHELF FIXED FZ <b>(S/P)</b>
181	WR38X10214	TRIM SHELF FZ <b>(S/P)</b>
182	WR71X10502	SHELF ADJUSTABLE FZ <b>(S/P)</b>
184	WR21X10155	BASKET <b>(S/P)</b>
185	WR12X10625	HANDLE <b>(S/P)</b>
186	WR21X10035	BASKET WIRE FZ <b>(S/P)</b>
189	WR17X10913	SPACER <b>(S/P)</b>
190	WR17X10916	SUPPORT SLIDE BASKET <b>(S/P)</b>
191	WR17X10917	SUPPORT SLIDE BASKET <b>(S/P)</b>
194	WR2X10810	COVER L.H. <b>(S/P)</b>
195	WR2X10811	COVER R.H. <b>(S/P)</b>
196	WR72X10197	SLIDE & BRACKET ASM <b>(S/P)</b>
197	WR72X10198	SLIDE & BRACKET ASM <b>(S/P)</b>
198	WR72X10199	SLIDE LINER <b>(S/P)</b>





## PSS26PSTASS ICE MAKER & DISPENSER

270	WR17X11168	GROMMET AND TUBE ASM (S/P)
320	WR1X10315	NUT AUGER FRT DISP (S/P)
321	WR1X1367	RETAINER RING E (S/P)
325	WR17X11505	HOUSING CRUSHER DISP (S/P)
326	WR1X1366	WASHER (S/P)
328	WR2X4143	PIN DEFLECTOR DISP (S/P)
328	WR2X4561	SPRING ICE DEFLECTOR (S/P)
328	WR17X10703	DEFLECTOR ICE DISP (S/P)
329	WR17X11456	WIRE ACTUATOR DISP (S/P)
330	WR2X11768	SPRING DEFLECTOR (S/P)
331	WR2X10580	RETAINER SPRING (S/P)
332	WR17X1361	BLADES MOVING DISP (S/P)
333	WR17X1362	BLADES MOVING DISP (S/P)
334	WR17X1363	BLADES MOVING DISP (S/P)
335	WR2X4139	SPACER CRUSHER MIDDLE (S/P)
337	WR2X4138	SPACER CRUSHER STATIONAR (S/P)
342	WR2X10691	STATIONARY BLADES ASM (S/P)
345	WR17X11453	COVER CRUSHER (S/P)
350	WR17X11455	AUGER HELIX DISP (S/P)
352	WR30X10100	BUCKET ICE DISP (S/P)
354	WR17X11447	BUCKET AND AUGER ASM (S/P)
355	WR17X11459	CUP DRIVE (S/P)
356	WR17X11458	PLATE HELIX LOCK (S/P)
357	WR17X11457	HELIX (S/P)
358	WR1X10607	SCR 8-18 AB PHR 1/2 S (S/P)
359	WR72X10137	GLIDE BUCKET LH (S/P)
359	WR72X10136	GLIDE BUCKET RH (S/P)
361	WR17X11460	COVER MTR & SOLENOID (S/P)
362	WR2X12213	BRACKET ANGLE (S/P)
365	WR2X11534	DRIVE AUGER DISP (S/P)
367	WR1X10618	SCR 8-18 TPT 1/4 (S/P)
369	WR60X10259	MOTOR CRUSHER DISP (S/P)
371	WR1X10619	SCR 10-18 HI/LO HXW 1/2 (S/P)

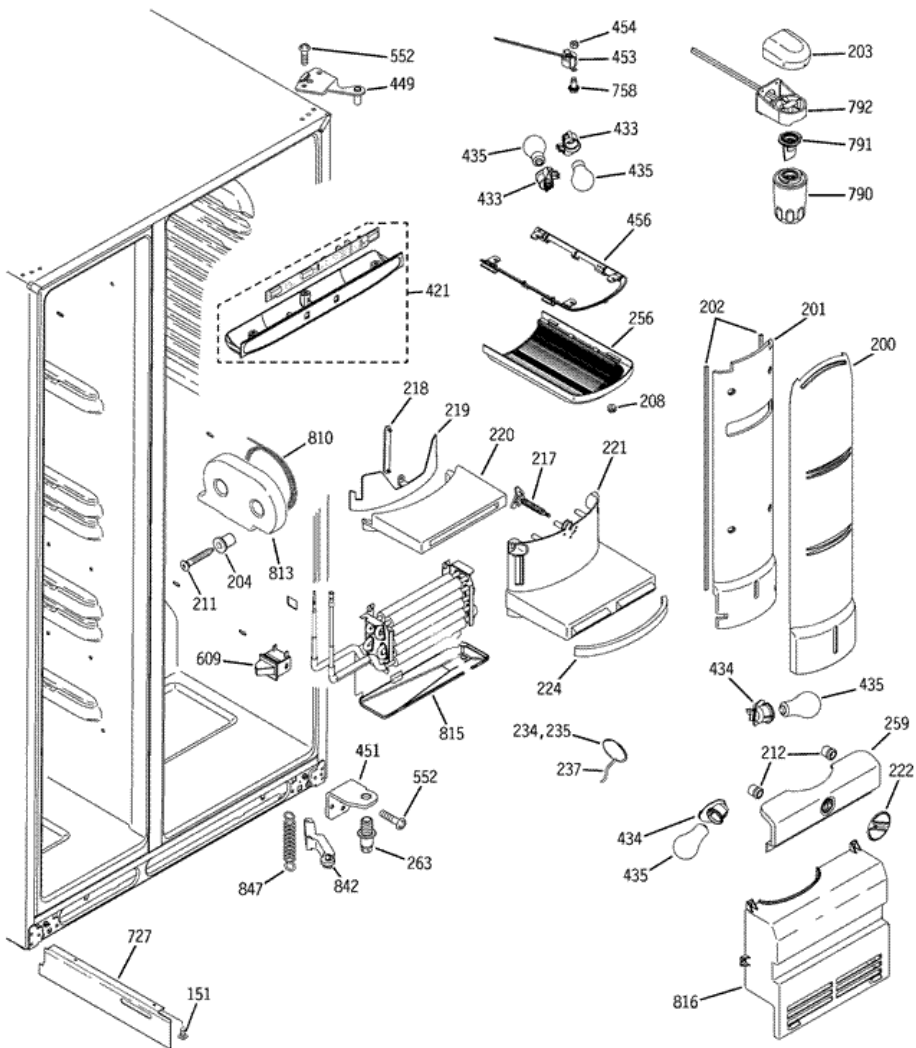
375	WR23X10330	HARNESS MOTOR & SOL (S/P)
377	WR2X7309	SADDLE SOLENOID (S/P)
378	WR62X58	SOLENOID & ARM ASM
379	WR17X1063	SHROUD SOLENOID (S/P)
380	WR17X1064	PLUNGER SOLENOID (S/P)
381	WR2X4257	PIN SPIRAL (S/P)
382	WR2X4258	SPRING SOLENOID LINKAGE (S/P)
383	WR17X1065	COLLAR SOLENOID DISP (S/P)
384	WR17X1066	STIRRUP SOLENOID DISP (S/P)
385	WR2X4259	PIN SPIRAL (S/P)
386	WR2X11767	BOOT AUGER MOTOR INT (S/P)
387	WR17X11454	COVER BUCKET BOTTOM (S/P)
820	WR30X10012	ELECTRONIC IM DOMESTIC
821	WR29X10085	STRIPPER IM (S/P)
867	WR29X10058	CUP FILL IM (S/P)

Distribuidor Autorizado

SurteRápido.com

Venta de Refacciones  
Electrodomesticas

# PSS26PSTASS FRESH FOOD SECTION





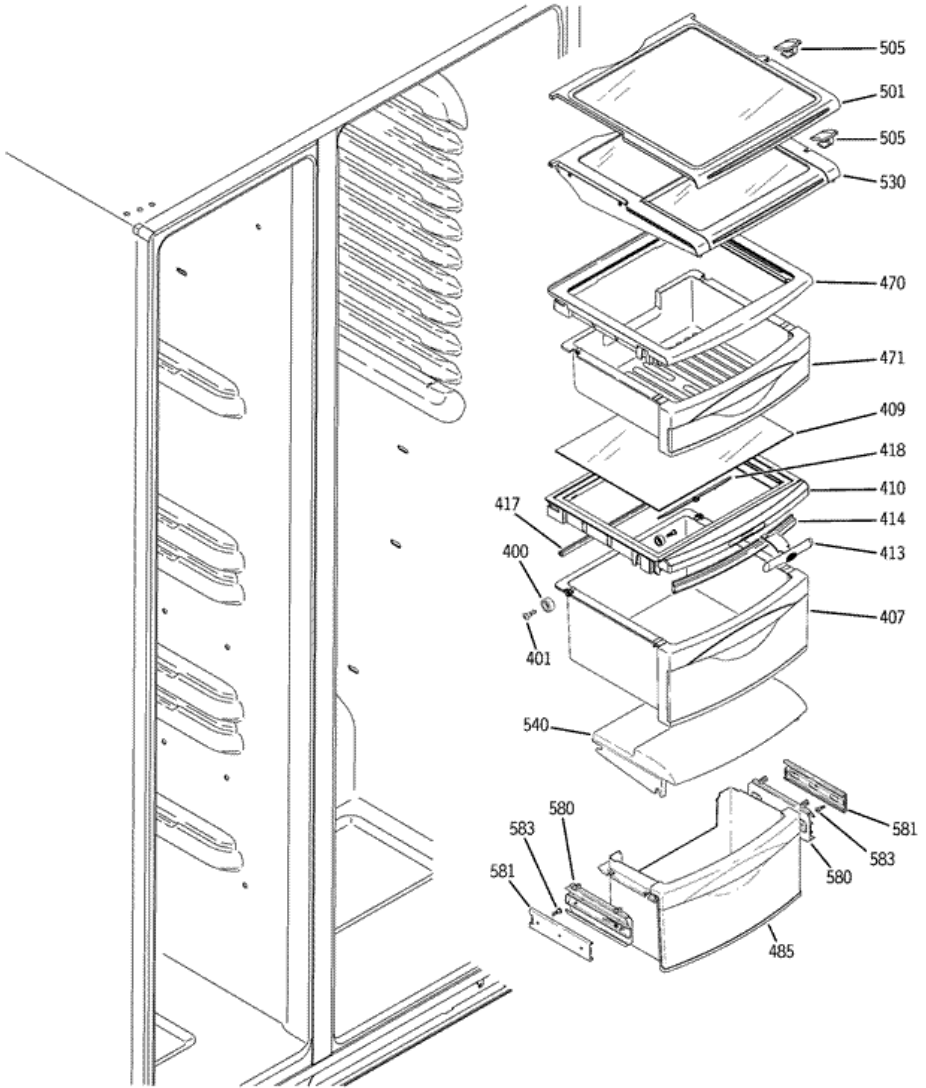


## PSS26PSTASS FRESH FOOD SECTION

151	WR1X10623	SCR 8-18 AB IHXW 9/16 S (S/P)
200	WR17X11805	COVER FF AIR TOWER (S/P)
201	WR17X11805	EPS FF TOWER (S/P)
202	WR17X11805	GASKET TOWER FF (S/P)
203	WR17X11841	COVER WATER FILTER (S/P)
204	WR2X12188	SUPPORT SHELF (S/P)
208	WR1X10431	NUT 6-32 UN (S/P)
211	WR1X10568	SCR8-18 AB UFL 1 1/2 SS (S/P)
212	WR2X10689	GROMMET BASE GRILLE (S/P)
217	WR32X10154	DIAL PAN CHILL (S/P)
218	WR2X10665	LINKAGE PAN CHILL (S/P)
219	WR2X10664	SHUTTER PAN CHILL (S/P)
220	WR2X11851	EPS PAN CHILL (S/P)
221	WR2X11852	DISCHARGE PAN CHILL (S/P)
222	WR2X10666	KNOB PAN CHILL (S/P)
224	WR2X11853	FOAM STRIP SE ADH (S/P)
234	WR2X10647	GRILLE SENSOR (S/P)
235	WR2X10668	SHUNT SENSOR (S/P)
237	WR55X10025	SENSOR TEMP FF
237	WR55X10025	SENSOR TEMPERATURE
256	WR17X11713	SHIELD LIGHT FF (S/P)
259	WR17X11712	LIGHT SHIELD (S/P)
263	WR2X12263	PIN HINGE BTM ADJ HOLLOW (S/P)
421	WR55X10503	INTERFACE CUSTOMER ASM (S/P)
433	WR2X9391	SOCKET & TERMINAL ASM
434	WR2X10645	SOCKET LAMP (S/P)
435	WR2X12327	LAMP (S/P)
449	WR13X10217	HINGE TOP & PIN ASM (S/P)
451	WR13X10159	HINGE BTM BK (S/P)
453	WR23X10209	HARNESS/TSTAT FF LT (S/P)
454	WR1X10212	NUT 8-32 (S/P)
456	WR71X10595	BEZEL LIGHT FF (S/P)
552	WR1X2022	SCREW (S/P)

609	WR23X10530	SWITCH LIGHT (S/P)
727	WR17X11503	SEPARATOR AIR HISIDE (S/P)
758	WD2X323	SCR 8-32 X 3/8 SPH (S/P)
790	MWF	FILTER CANISTER, WATER
791	WR2X11705	CAP FILTER BYPASS (S/P)
792	WR17X11618	FILTER ASM AND TUBE (S/P)
810	WR17X11845	COVER TANK WATER COIL AS (S/P)
813	WR17X11710	COVER WATER TANK (S/P)
815	WR17X11843	TROUGH DRAIN ASM (S/P)
816	WR17X11915	COVER EVAP ASM (S/P)
842	WR11X10009	LEVER ASM FF SIDE BK (S/P)
847	WR1X2027	SPRING CLOSURE (S/P)

**PSS26PSTASS FRESH FOOD  
 SHELVES**





## PSS26PSTASS FRESH FOOD SHELVES

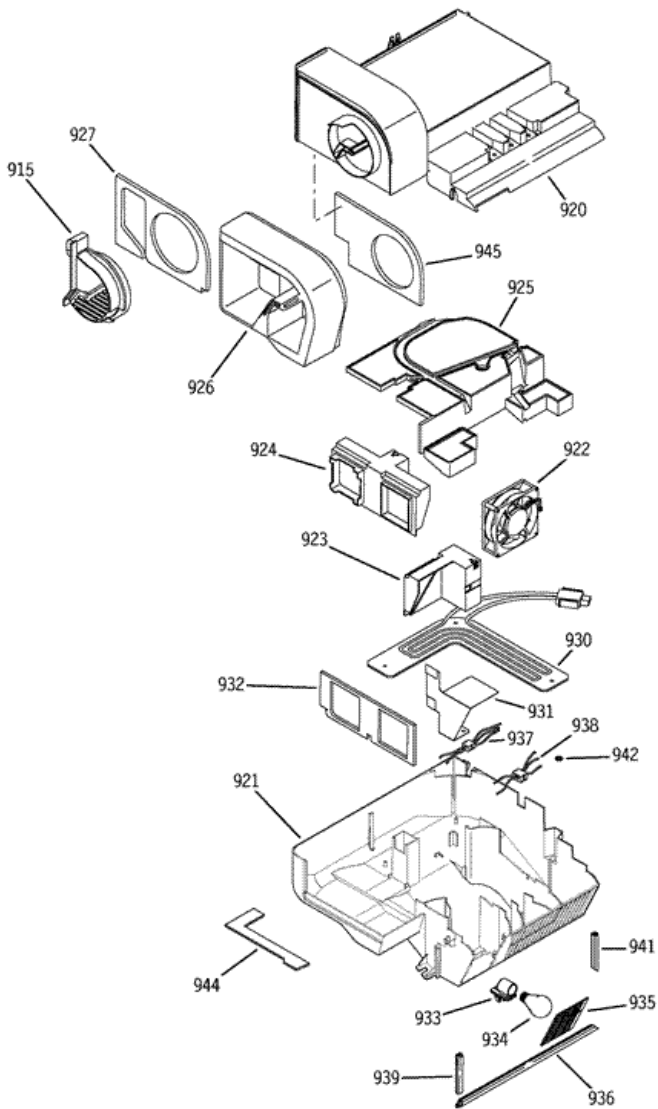
400	WR1X10209	WHEEL PAN COVER (S/P)
401	WR1X10615	SCR 10-16 (S/P)
407	WR32X10569	PAN MIDDLE CHILL ASM (S/P)
409	WR32X10156	GLASS PAN COVR (S/P)
410	WR32X10151	COVER MIDDLE PAN (S/P)
413	WR2X10650	HUMIDITY CONTROL (S/P)
414	WR14X10059	GASKET PAN CRV FRONT (S/P)
417	WR14X10058	GASKET PAN CRV REAR (S/P)
418	WR2X10633	SLIDE MIDDLE PAN COVER (S/P)
470	WR32X10566	COVER TOP PAN ASM (S/P)
471	WR32X10338	PAN ASM TOP (S/P)
485	WR32X10505	PAN FRAME ASM (S/P)
501	WR71X10582	SHELF SLIDEOUT ASM (S/P)
505	WR2X10662	STOP SHELF (S/P)
530	WR71X10613	SHELF TUCKAWAY ASM (S/P)
540	WR31X10044	COVER PAN ASM (S/P)
580	WR72X10193	SLIDE AND BRACKET ASML (S/P)
580	WR72X10194	SLIDE AND BRACKET ASMR (S/P)
581	WR72X10195	SLIDE LINER (S/P)
583	WR1X10629	SCR 8-18 AB HW 1/2 S (S/P)

Distribuidor Autorizado

SurteRápido.com

Venta de Refacciones  
Electrodomesticas

## PSS26PSTASS CUSTOM COOL





**PSS26PSTASS CUSTOM COOL**

915	WR02X10808	GRILL MULLION (S/P)
920	WR31X10008	COVER UPPER (S/P)
921	WR31X10043	COVER LOWER (S/P)
922	WR60X10227	FAN CHILL (S/P)
923	WR60X10063	DAMPER ASM DESUPPLY (S/P)
924	WR60X10062	DAMPER ASM SUPPLY (S/P)
925	WR31X10007	PLENUM TOP (S/P)
926	WR31X10009	DUCT CAVITY CHILL (S/P)
927	WR14X10095	GASKET MULLION DUCT (S/P)
930	WR51X10081	HEATER THAW (S/P)
931	WR02X10809	REFLECTOR (S/P)
932	WR14X10096	GASKET DAMPER CHILL (S/P)
933	WR31X10012	LIGHT SOCKET CHILL (S/P)
934	WR02X10812	LAMP 40W CHILL (S/P)
935	WR31X10010	GRILL BULB CHILL (S/P)
936	WR14X10092	SEAL AHU CHILL (S/P)
937	WR17X11704	HARNESS CHILL AC (S/P)
938	WR23X10485	HARNESS CHILL DC (S/P)
939	WR14X10090	SEAL AHU CHILL (S/P)
941	WR14X10091	SEAL AHU CHILL (S/P)
942	WR01X10239	WASHER RETAINER CHILL (S/P)
944	WR14X10093	GASKET LC (S/P)
945	WR14X10094	GASKET UC (S/P)