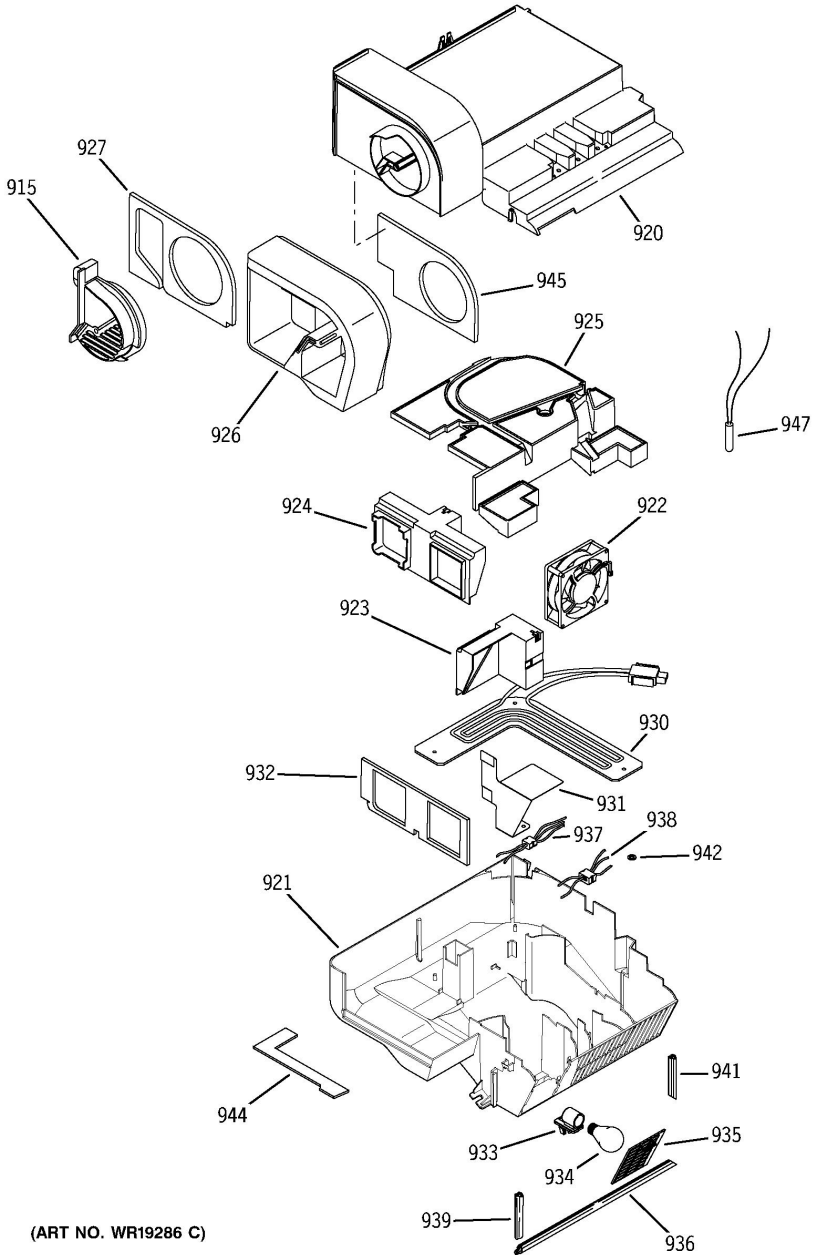


Refrigerador GE PSS26SGPASS

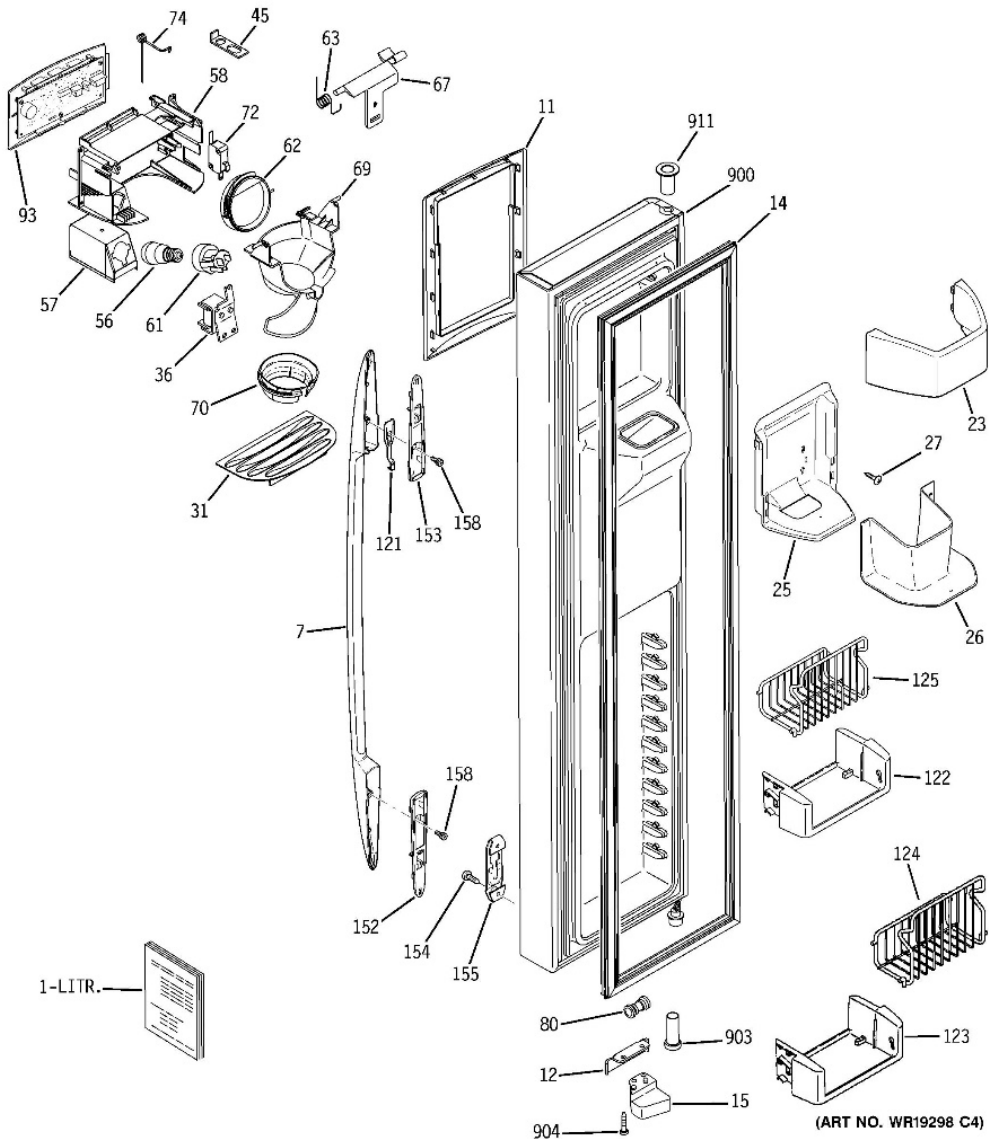




Refrigerador GE PSS26SGPASS

Guía	N.P.	Descripción
915	WR02X10808	GRILL MULLION
920	WR31X10008	COVER UPPER
921	WR31X10035	COVER LOWER
922	WR60X10064	FAN CHILL
923	WR60X10063	DAMPER ASM DESUPPLY
924	WR60X10062	DAMPER ASM SUPPLY
925	WR31X10007	PLENUM TOP
926	WR31X10009	DUCT CAVITY CHILL
927	WR14X10095	GASKET MULLION DUCT
930	WR51X10049	HEATER THAW
931	WR02X10809	REFLECTOR
932	WR14X10096	GASKET DAMPER CHILL
933	WR31X10012	LIGHT SOCKET CHILL
934	WR02X10812	LAMP 40W CHILL
935	WR31X10010	GRILL BULB CHILL
936	WR14X10092	SEAL AHU CHILL
937	WR23X10203	HARNESS CHILL AC
938	WR23X10237	HARNESS CHILL DC
939	WR14X10090	SEAL AHU CHILL
941	WR14X10091	SEAL AHU CHILL
942	WR01X10239	WASHER RETAINER CHILL
944	WR14X10093	GASKET LC
945	WR14X10094	GASKET UC
947	WR55X10030	SENSOR TEMPERATURE

Refrigerador GE PSS26SGPASS





Refrigerador GE PSS26SGPASS

Guía	N.P.	Descripción
1	31-46040	PM HELPFUL HINTS LABEL
1	49-60238	PM GUIDE OWNERS
7	WR12X10618	HANDLE PROFILE SS ASM
11	WR38X10219	RECESS TRIM BOWED BK
12	WR02X10782	STOP DOOR BK
14	WR24X10072	GASKET DOOR FZ BK
15	WR02X10780	CAM CLOSURE FZ BK
23	WR71X10493	MODULE FZ UPPER
25	WR71X10494	SEAT BUCKET
26	WR71X10495	GUIDE ICE
27	WR01X10387	SCR 8-18 AB OVP 7/8 SS
31	WR17X10895	GRILLE RECESS BK
36	WR62X10020	SOLENOID ASM
45	WR02X8818	RETAINER RECESS DOOR
56	WR02X10675	BULB RECS 12V
57	WR02X10670	REFLECTOR LIGHT
58	WR17X11077	HOUSING SHIELD DISP BK
61	WR02X9561	LAMP SOCKET
62	WR17X3093	DOOR RECESS ASM
63	WR02X10585	SPRING RECESS DOOR
67	WR17X10706	CRANK DOOR RECESS
69	WR17X11267	FUNNEL ICE DISP BK
70	WR17X11268	EXTENSION FUNNEL ICE BK
72	WR23X10224	SWITCH
74	WR02X10584	SPRING FUNNEL
80	WR02X11330	UNION CONNECTOR
93	WR55X10298	INTERFACE DISP ASM BK
121	WR02X11471	LEVER LOCK HANDLE



Refrigerador GE PSS26SGPASS

Guía	N.P.	Descripción
122	WR71X10256	MODULE SUPPORT FZ
123	WR71X10255	MODULE SUPPORT FZ
124	WR21X10053	BASKET WIRE TILTOUT FZ
125	WR21X10054	BASKET WIRE TILTOUT FZ
152	WR02X11470	BOOT HANDLE PROFILE SS
153	WR02X11469	BOOT HANDLE PROFILE SS
154	WR01X10213	SCR 8-18 AB RNT20 5/8 S
155	WR02X10643	BRACKET HANDLE LOCK
158	WR02X11472	PIN MOUNTING PROFILE SS
900	WR78X10837	DOOR FOAM ASM FZ SS
903	WR01X10234	THIMBLE DOOR BTM FZ BK
904	WR01X10316	SCREW DOOR STOP
911	WR01X10233	THIMBLE DOOR TOP BK

Distribuidor Autorizado

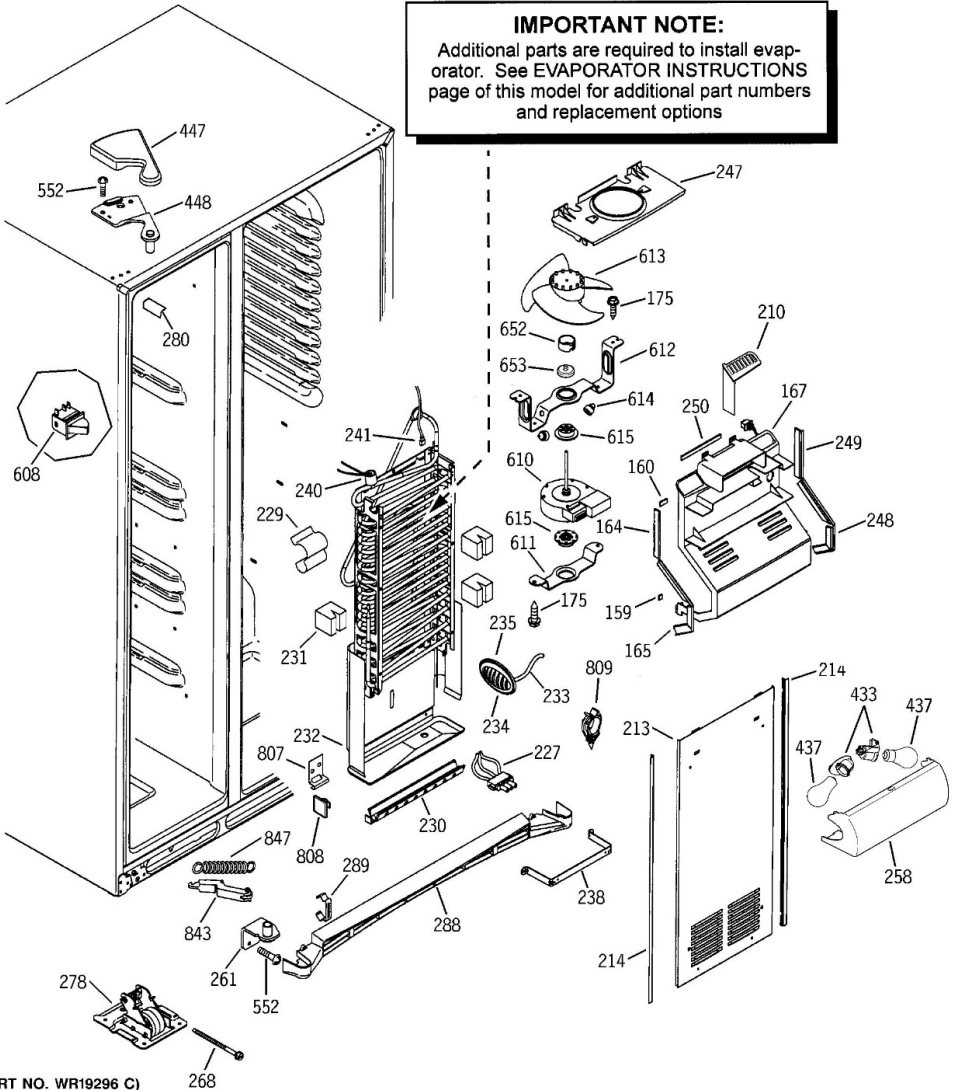
SurteRápido.com

Venta de Refacciones
Electrodomesticas

Refrigerador GE PSS26SGPASS

IMPORTANT NOTE:

Additional parts are required to install evaporator. See EVAPORATOR INSTRUCTIONS page of this model for additional part numbers and replacement options



(ART NO. WR19296 C)



Refrigerador GE PSS26SGPASS

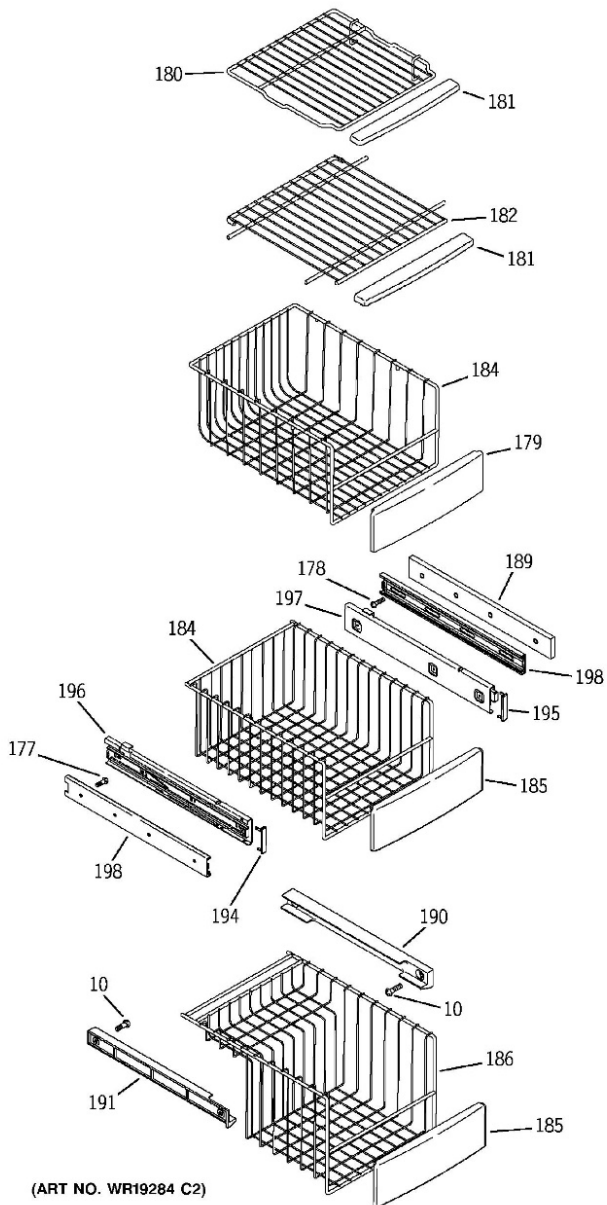
Guía	N.P.	Descripción
159	WR14X10067	FOAM STRIP SE ADH
160	WR14X10068	FOAM STRIP SE ADH
164	WR14X10074	GASKET PLENUM
165	WR14X10065	GASKET PLENUM
167	WR17X11335	PLENUM FAN EVAPORATOR
175	WR01X10035	SCR 8-18 AB IHW 5/8 S
210	WR74X10131	GUARD WIRING
213	WR17X10908	COVER EVAPORATOR FRONT
214	WR14X10072	GASKET EVAP COVER
227	WR23X10239	HARNES DEF HEATER
229	WR02X10552	CLIP EVAP THERMISTOR
230	WR51X10055	HEATER & BRACKET ASM
231	WR02X10669	BLOCK EVAP SEAL
232	WR17X10811	SHIELD ASM TROUGH
233	WR55X10026	SENSOR TEMP FZ
234	WR02X10647	GRILLE SENSOR
235	WR02X10668	SHUNT SENSOR
238	WR02X10667	BRACKET EVAP COVER
240	WR50X10028	DEFROST THERMOSTAT
241	WR55X10025	SENSOR TEMP FF
247	WR17X10812	ORIFICE FAN ASM
248	WR14X10066	GASKET PLENUM
249	WR14X10073	GASKET PLENUM
250	WR14X10069	FOAM STRIP SE ADH
258	WR17X11446	SHIELD LIGHT FZ
261	WR13X10160	HINGE BTM & PIN ASM BK
268	WR01X10210	SCREW MOBILITY 3.5
278	WR02X10636	MOBILITY FRONT ASM



Refrigerador GE PSS26SGPASS

Guía	N.P.	Descripción
280	WR02X10781	CAP CORNER OC BK
288	WR74X10127	GRILLE BASE ASM BK
289	WR02X10738	CLIP GRILLE
433	WR02X9391	SOCKET TERM BK
437	60A	LAMP 60W APPL
447	WR02X10783	COVER HINGE BK
448	WR13X10216	HINGE TOP & PIN ASM FZ
552	WR01X2022	SCR 12-24 TT OVT .900 S
608	WR23X10179	SWITCH LIGHT
610	WR60X10099	MOTOR DC EVAP FAN ASM
611	WR02X10764	BRACKET EVAP FAN BTM
612	WR02X10653	BRACKET ORIFICE FAN
613	WR60X10075	BLADE EVAP FAN ASM
614	WR02X11329	BUMPER LID
615	WR02X11331	GROMMET EVAP FAN
652	WR02X10509	RING COMPRESSION
653	WR02X10322	CAP DUST
807	WR02X11337	CLIP DRAIN TROUGH
808	WR02X4039	CLIP ADHESIVE
809	WR01X1936	FASTENER WATER TUBE
843	WR11X10010	LEVER ASM FZ SIDE BK
847	WR01X2027	SPRING CLOSURE

Refrigerador GE PSS26SGPASS

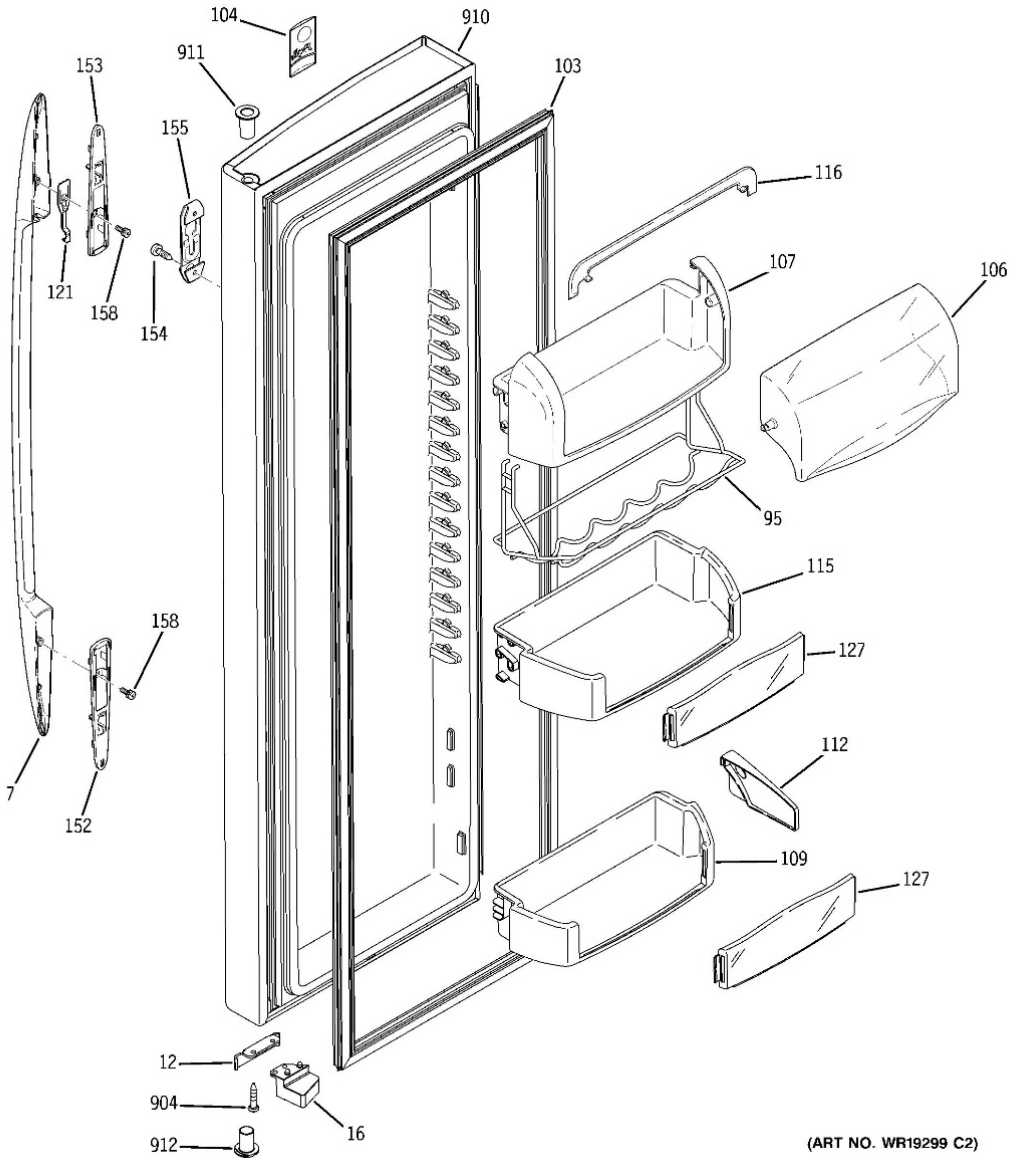




Refrigerador GE PSS26SGPASS

Guía	N.P.	Descripción
10	WR01X10065	SCR 8-18 BA POR 5/8 SS
177	WR01X10240	8-8X7/16 TORX PAN HEAD
178	WR01X10241	8-18 X 13/16 TX PH WH
179	WR12X10624	HANDLE
180	WR71X10259	SHELF FIXED FZ
181	WR38X10214	TRIM SHELF FZ
182	WR71X10502	SHELF ADJUSTABLE FZ
184	WR21X10032	BASKET FZ LONG
185	WR12X10625	HANDLE
186	WR21X10035	BASKET WIRE FZ
189	WR17X10913	SPACER
190	WR17X10916	SUPPORT SLIDE BASKET
191	WR17X10917	SUPPORT SLIDE BASKET
194	WR02X10810	COVER L.H.
195	WR02X10811	COVER R.H.
196	WR72X10063	SLIDE & BRACKET ASM
197	WR72X10064	SLIDE & BRACKET ASM
198	WR72X10065	SLIDE LINER

Refrigerador GE PSS26SGPASS





Refrigerador GE PSS26SGPASS

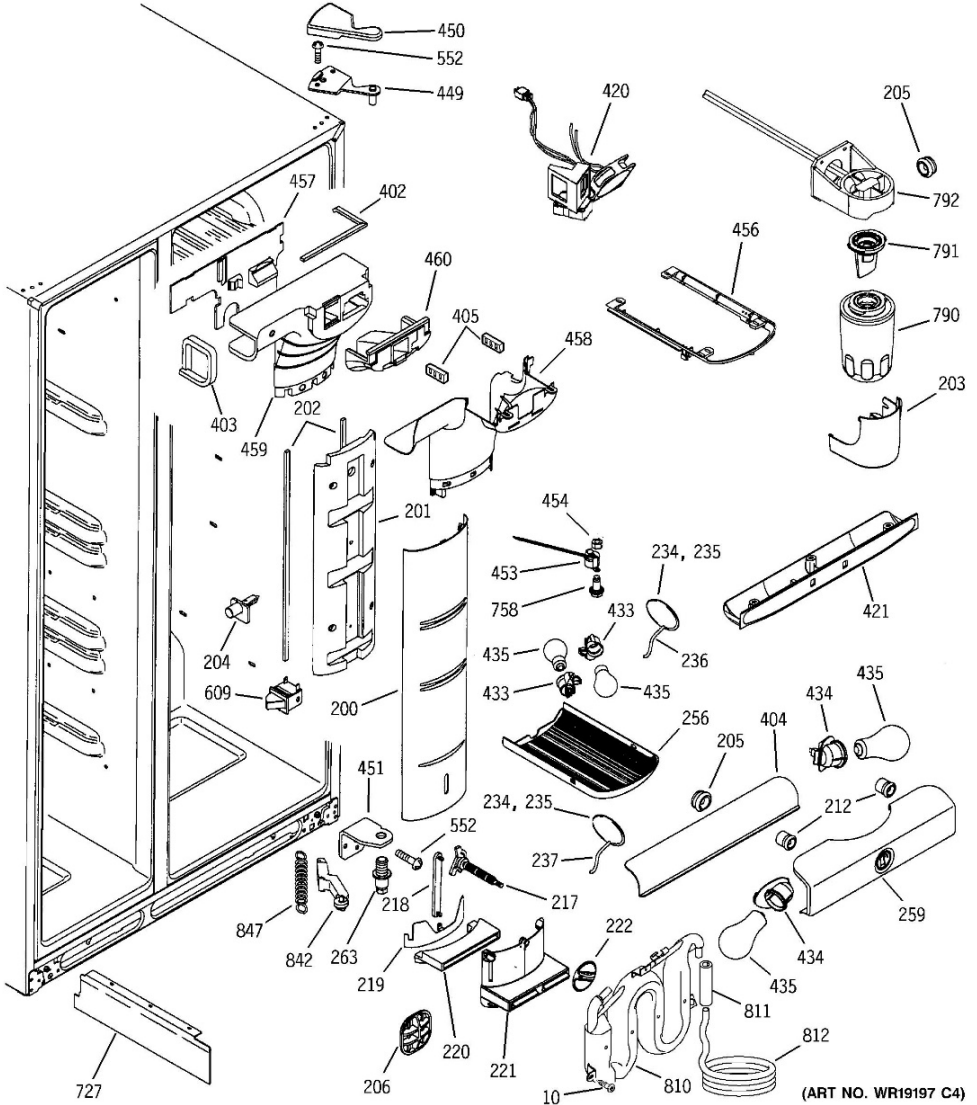
Guía	N.P.	Descripción
7	WR12X10618	HANDLE PROFILE SS ASM
12	WR02X10782	STOP DOOR BK
16	WR02X10779	CAM CLOSURE FF BK
95	WR17X11481	WINE & BEVERAGE RACK
103	WR24X10071	GASKET DOOR FF BK
104	WR04X10129	LENS NAMEPLATE
106	WR22X10042	DOOR DAIRY CLEAR
107	WR22X10041	COMPARTMENT DAIRY
109	WR71X10244	MODULE SHELF FF
112	WR02X10639	SNUGGER
115	WR71X10253	MODULE SHELF FF
116	WR22X10043	TRIM DAIRY COMPARTMENT
121	WR02X11471	LEVER LOCK HANDLE
127	WR71X10380	MODULE SHELF INSERT
152	WR02X11470	BOOT HANDLE PROFILE SS
153	WR02X11469	BOOT HANDLE PROFILE SS
154	WR01X10213	SCR 8-18 AB RNT20 5/8 S
155	WR02X10643	BRACKET HANDLE LOCK
158	WR02X11472	PIN MOUNTING PROFILE SS
904	WR01X10316	SCREW DOOR STOP
910	WR78X10658	DOOR FOAM ASM FF SS
911	WR01X10233	THIMBLE DOOR TOP BK
912	WR01X10232	THIMBLE DOOR BTM BK

Distribuidor Autorizado

SurteRápido.com

Venta de Refacciones
Electrodomesticas

Refrigerador GE PSS26SGPASS



(ART NO. WR19197 C4)

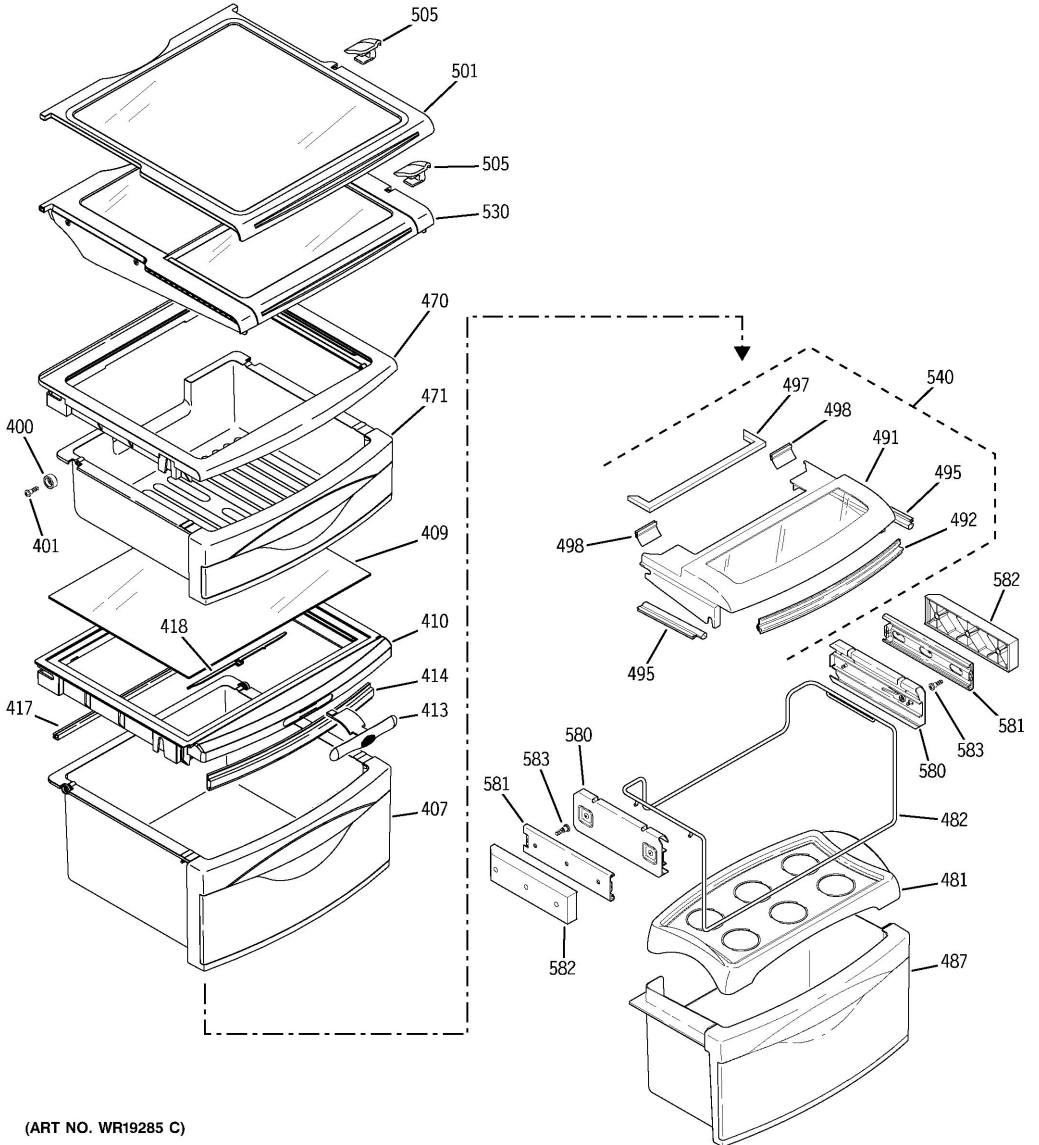
Guía	N.P.	Descripción
10	WR01X10065	SCR 8-18 BA POR 5/8 SS
200	WR17X10802	COVER FF TOWER
201	WR17X10803	EPS FF TOWER
202	WR14X10062	GASKET FF TOWER
203	WR17X10800	COVER WATER FILTER
204	WR02X10676	FRAME SUPPORT PINS
205	WR02X10678	GROMMET
206	WR02X10671	GRILLE AIR RETURN
212	WR02X10689	GROMMET BASE GRILLE
217	WR32X10154	DIAL PAN CHILL
218	WR02X10665	LINKAGE PAN CHILL
219	WR02X10664	SHUTTER PAN CHILL
220	WR02X10644	EPS PAN CHILL
221	WR02X10641	DISCHARGE PAN CHILL
222	WR02X10666	KNOB PAN CHILL
234	WR02X10647	GRILLE SENSOR
235	WR02X10668	SHUNT SENSOR
236	WR55X10027	SENSOR TEMP FF
237	WR55X10028	SENSOR TEMP FF
256	WR17X10839	SHIELD LIGHT FF
259	WR17X10801	LIGHT SHIELD BTM FF
263	WR02X10648	PIN HINGE BTM ADJ HOLLOW
402	WR14X10070	GASKET FF INLET
403	WR14X10071	GASKET FF INLET
404	WR17X10949	DIVERTER FF AIRFLOW
405	WR02X11254	DIFFUSER FF INLET LT
405	WR02X11255	DIFFUSER FF INLET RT



Refrigerador GE PSS26SGPASS

Guía	N.P.	Descripción
420	WR60X10070	FAN & DAMPER FF ASM
421	WR55X10208	INTERFACE CUSTOMER ASM
433	WR02X9391	SOCKET TERM BK
434	WR02X10645	SOCKET LAMP
435	STD372402	LAMP 40W 120V
449	WR13X10217	HINGE TOP & PIN ASM FF
450	WR02X10784	COVER HINGE BK
451	WR13X10159	HINGE BTM BK
453	WR23X10209	HARNESS/TSTAT FF LT
790	GWF	FILTER CANISTER

Refrigerador GE PSS26SGPASS

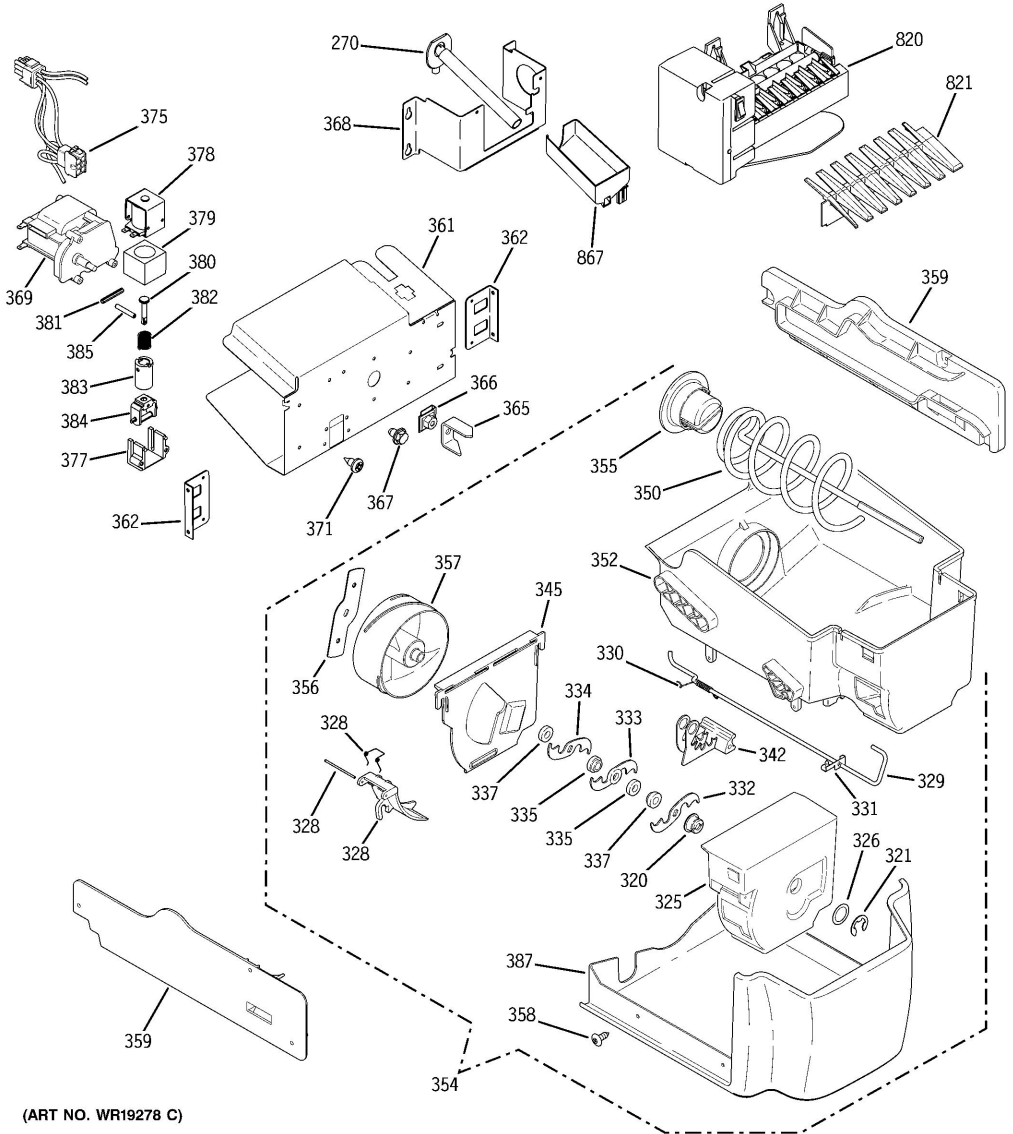




Refrigerador GE PSS26SGPASS

Guía	N.P.	Descripción
400	WR01X10209	WHEEL PAN COVER
401	WR01X10214	SCR 10-16 PL PNP 5/8 SZN
407	WR32X10345	PAN MIDDLE CHILL ASM
409	WR32X10156	GLASS PAN COVR
410	WR32X10151	COVER MIDDLE PAN
413	WR02X10650	HUMIDITY CONTROL
414	WR14X10059	GASKET PAN CRV FRONT
417	WR14X10058	GASKET PAN CRV REAR
418	WR02X10633	SLIDE MIDDLE PAN COVER
470	WR32X10149	COVER TOP PAN ASM
471	WR32X10338	PAN ASM TOP
481	WR31X10036	TRAY CUSTOM COOL
482	WR17X11488	WIREFRAME PAN
487	WR32X10437	PAN FRAME ASM
491	WR31X10040	COVER CLEAR ASM
492	WR14X10105	SEAL FRONT CHILL
495	WR14X10160	SEAL SIDES CHILL
497	WR14X10100	SEAL FRAME & AHU CHILL
498	WR14X10106	SEAL REAR CHILL
501	WR71X10262	SHELF SLIDEOUT ASM
505	WR02X10662	STOP SHELF
530	WR71X10258	SHELF TUCKAWAY ASM
540	WR31X10039	COVER PAN ASM
580	WR72X10140	SLIDE AND BRACKET ASM
581	WR72X10141	SLIDE LINER
582	WR72X10142	SPACER SLIDE
583	WR01X10399	SCR 8-18 AB HW 1/2 S

Refrigerador GE PSS26SGPASS



Refrigerador GE PSS26SGPASS

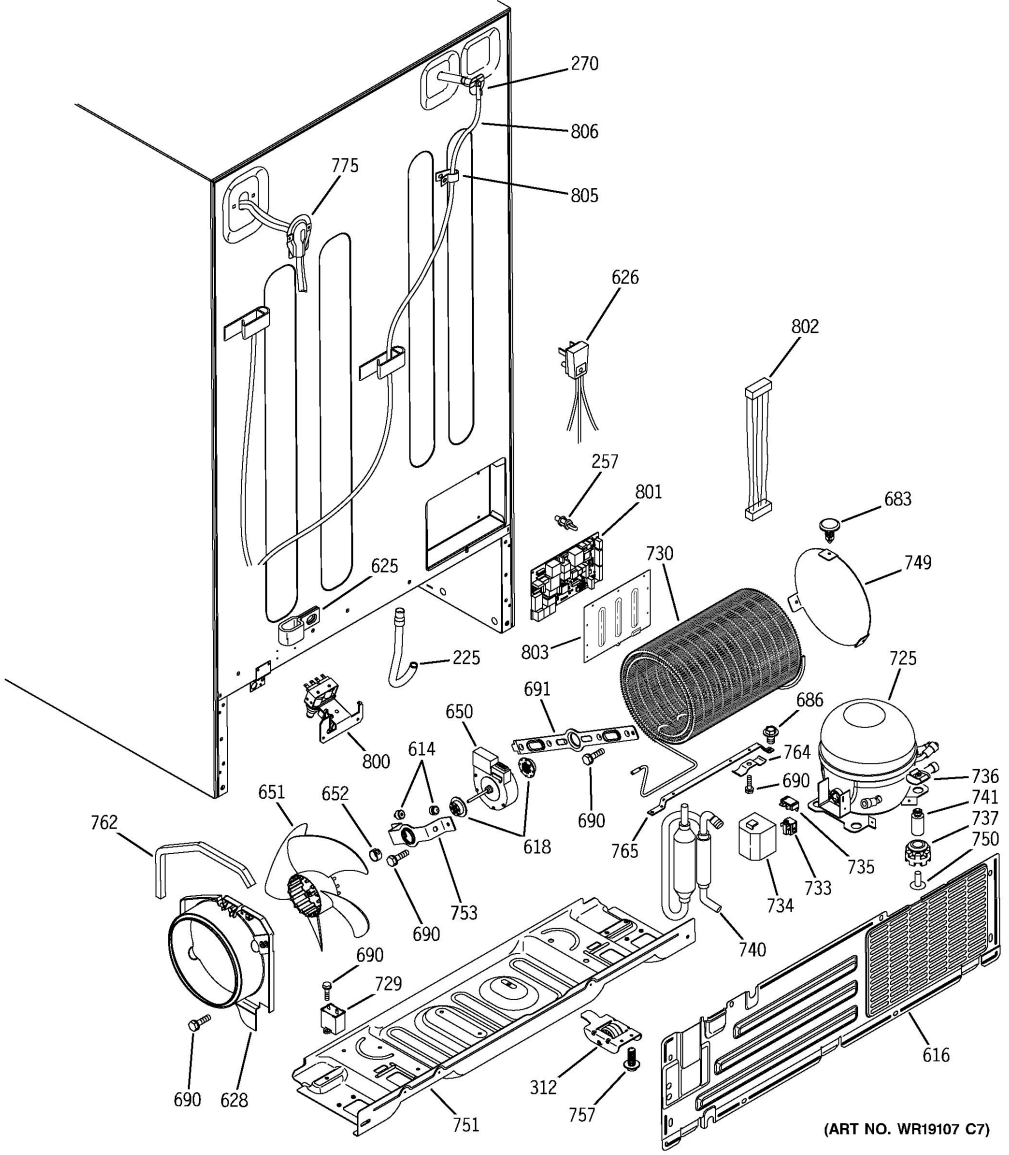
Guía	N.P.	Descripción
270	WR17X11082	GROMMET AND TUBE ASM
320	WR01X10315	NUT AUGER FRT DISP
321	WR01X1367	RETAINER RING E
325	WR17X10717	HOUSING CRUSHER DISP
326	WR01X1366	WASHER
328	WR02X4143	PIN DEFLECTOR DISP
328	WR02X4561	SPRING ICE DEFLECTOR
328	WR17X10703	DEFLECTOR ICE DISP
329	WR17X11456	WIRE ACTUATOR DISP
330	WR02X10583	SPRING DEFLECTOR
331	WR02X10580	RETAINER SPRING
332	WR17X1361	BLADES MOVING DISP
333	WR17X1362	BLADES MOVING DISP
334	WR17X1363	BLADES MOVING DISP
335	WR02X4139	SPACER CRUSHER MIDDLE
337	WR02X4138	SPACER CRUSHER STATIONAR
342	WR02X10691	STATIONARY BLADES ASM
345	WR17X11453	COVER CRUSHER
350	WR17X11455	AUGER HELIX DISP
352	WR30X10045	BUCKET ICE DISP
354	WR17X11447	BUCKET AND AUGER ASM
355	WR17X11459	CUP DRIVE
356	WR17X11458	PLATE HELIX LOCK
357	WR17X11457	HELIX
358	WR01X10389	SCR 8-18 AB PHR 1/2 S
359	WR72X10136	GLIDE BUCKET RH
359	WR72X10137	GLIDE BUCKET LH
361	WR17X11460	COVER MTR & SOLENOID



Refrigerador GE PSS26SGPASS

Guía	N.P.	Descripción
362	WR02X10656	BRACKET ANGLE
365	WR02X11534	DRIVE AUGER DISP
366	WR01X10190	NUT J
367	WR01X10198	SCR 8-18 TPT 1/4
368	WR02X11336	BRACKET IM MOUNTING
369	WR60X10125	MOTOR CRUSHER DISP
371	WR01X10192	SCR 10-18 HI/LO HXW 1/2
375	WR23X10318	HARNESS MOTOR & SOL
377	WR02X7309	SADDLE SOLENOID
378	WR62X0058	SOLENOID & ARM ASM
379	WR17X1063	SHROUD SOLENOID
380	WR17X1064	PLUNGER SOLENOID
381	WR02X4257	PIN SPIRAL
382	WR02X4258	SPRING SOLENOID LINKAGE
383	WR17X1065	COLLAR SOLENOID DISP
384	WR17X1066	STIRRUP SOLENOID DISP
385	WR02X4259	PIN SPIRAL
387	WR17X11454	COVER BUCKET BOTTOM
820	WR30X10044	ICEMAKER ASM
821	WR02X11548	STRIPPER IM
867	WR29X10058	CUP FILL IM

Refrigerador GE PSS26SGPASS



Guía	N.P.	Descripción
225	WR02X11426	TUBE DRAIN
257	WR02X10663	STAND OFF
270	WR17X11082	GROMMET AND TUBE ASM
312	WR02X10571	MOBILITY BACK ASM
614	WR02X11329	BUMPER LID
616	WR82X10071	COVER ACCESS ASM
618	WR02X10520	GROMMET COND FAN
625	WR01X5278	CLAMP CABLE
626	WR23X0108	CORD POWER ASM
628	WR17X11252	SHROUD CONDENSER
650	WR60X10065	MOTOR DC COND FAN
651	WR60X10049	BLADE COND FAN ASM
652	WR02X10509	RING COMPRESSION
683	WR02X10562	FASTENER PUSH
686	WR01X10252	SCR 10-32 TT HXW 5/16 S
690	WR01X1466	SCR 8-32 T HXW 3/8 S
691	WR02X10593	BRACKET COND FAN (REAR)
725	WR87X10067	COMPRESSOR MEI
729	WR62X0079	CAPACITOR
730	WR84X10022	COND REPL KIT
733	WR07X10033	PTCR
734	WR02X10556	COVER RELAY SNAP(MEI)
735	WR08X10025	OVERLOAD
736	WR02X8203	CLIP COMPRESSOR MOUNT
737	WR02X10099	GROMMET
740	WR86X0096	DRYER BIFURCATED XH9
741	WR01X1779	STUD MTG COMPR
749	WR17X10694	BAFFLE COND AIR



Refrigerador GE PSS26SGPASS

Guía	N.P.	Descripción
750	WR01X1786	SCR 10-32 TR 1/2
751	WR17X10693	BASEPLATE HIGH SIDE
753	WR02X10521	BRKT COND FAN (MTG)
757	WR01X10193	SCR 10-32 SPECIAL
762	WR14X10053	FOAM STRIP SE ADH
764	WR02X9000	CLIP, COND MNT
765	WR17X10695	BRACKET CONDENSER BAR
775	WR17X10796	COVER WATER LINE
800	WR57X10032	WATER VALVE ASM
801	WR55X10289	BOARD ASM MAIN CONTROL
802	WR23X10178	HARNESS BOARD INDIV
803	WR02X11473	MAIN BOARD ENCLOSURE ASM
805	WR02X3736	STR RELIEF
806	WR17X10733	TUBE PLASTIC