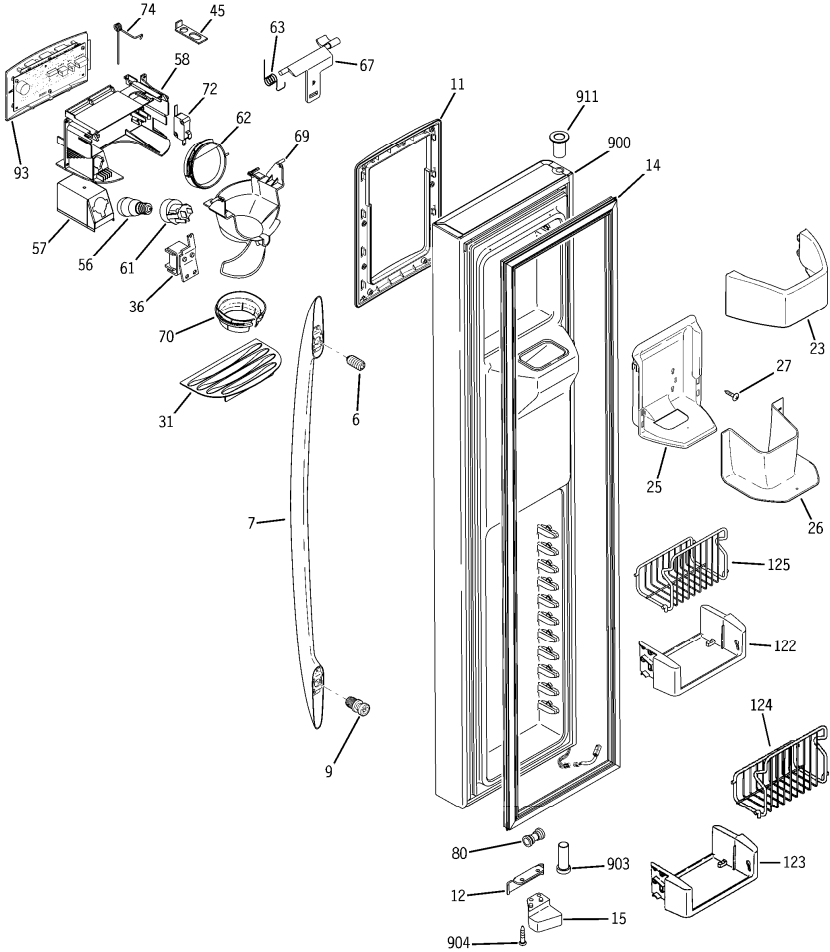


Distribuidor Autorizado

SurteRápido.com

Venta de Refacciones  
Electrodomesticas

## PSS26SGRCSS FREEZER DOOR





## PSS26SGRCSS FREEZER DOOR

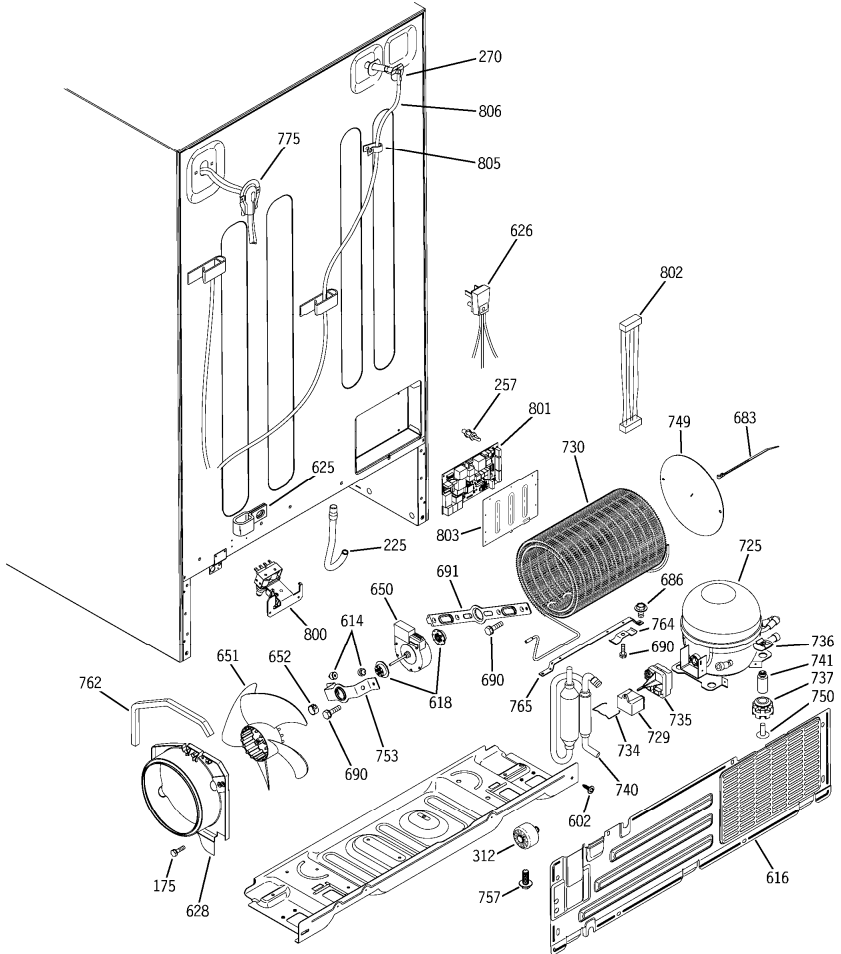
6	WR01X10450	SET SCREW (S/P)
7	WR12X10698	HANDLE ASM HYDROFORM (S/P)
9	WR02X12336	FASTENER HANDLE SS (S/P)
11	WR38X10337	TRIM RECESS ASM SS (S/P)
12	WR02X10782	STOP DOOR BK (S/P)
14	WR24X10158	GASKET DOOR FZ BK (S/P)
15	WR02X10780	CAM CLOSURE FZ BK (S/P)
23	WR71X10493	MODULE FZ UPPER (S/P)
25	WR71X10494	SEAT BUCKET (S/P)
26	WR71X10495	GUIDE ICE (S/P)
31	WR17X11655	GRILLE RECESS BK (S/P)
36	WR62X10055	SOLENOID ASM
45	WR02X8818	RETAINER RECESS DOOR (S/P)
56	WR02X12208	BULB RECS 12V (S/P)
57	WR02X10670	REFLECTOR LIGHT (S/P)
58	WR49X10228	HOUSING SHIELD DISP (S/P)
61	WR02X9561	LAMP SOCKET (S/P)
62	WR17X11653	DOOR RECESS ASM
63	WR02X10585	SPRING RECESS DOOR (S/P)
67	WR17X10706	CRANK DOOR RECESS (S/P)
69	WR17X11865	FUNNEL ICE DISP (S/P)
70	WR49X10076	EXTENSION FUNNEL ICE BK (S/P)
72	WR23X10224	SWITCH (S/P)
74	WR49X10233	SPRING FUNNEL (S/P)
80	WR02X11330	UNION CONNECTOR (S/P)
93	WR55X10415	INTERFACE DISP ASM BK (S/P)
122	WR71X10256	MODULE SUPPORT FZ (S/P)
123	WR71X10255	MODULE SUPPORT FZ (S/P)
124	WR21X10111	BASKET WIRE TILTOUT FZ (S/P)
125	WR21X10054	BASKET WIRE TILTOUT FZ (S/P)
900	WR78X11742	DOOR FOAM ASM FZ (S/P)
903	WR01X10234	THIMBLE DOOR BTM FZ BK (S/P)
911	WR01X10233	THIMBLE DOOR TOP BK (S/P)

Distribuidor Autorizado

SurteRápido.com

Venta de Refacciones  
Electrodomesticas

## PSS26SGRCSS SEALED SYSTEM



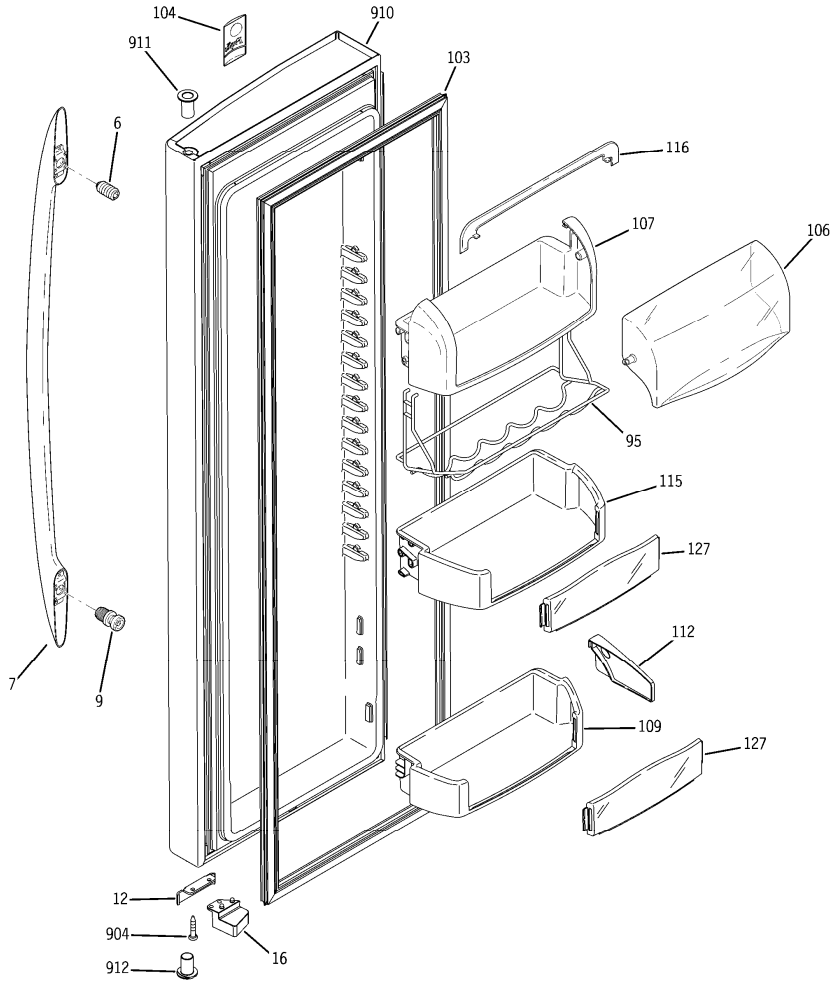


## PSS26SGRCSS SEALED SYSTEM

175	WR01X10035	SCR 8-18 AB IHW 5/8 S (S/P)
225	WR02X11426	TUBE DRAIN (S/P)
257	WR02X10663	STAND OFF (S/P)
270	WR17X11168	GROMMET AND TUBE ASM (S/P)
312	WR02X11998	MOBILITY WHEEL S KIT ASM (S/P)
602	WR01X1591	SCR 1/4-14 X 3/4 (S/P)
614	WR02X10540	BUMPER LID (S/P)
616	WR82X10100	ACCESS COVER (S/P)
618	WR02X11331	GROMMET EVAP FAN (S/P)
625	WR01X5278	CLAMP CABLE (S/P)
626	WR23X10300	POWER CORD (S/P)
628	WR17X12713	SHROUD CONDENSER (S/P)
650	WR60X10209	MOTOR DC COND FAN (S/P)
651	WR60X10206	BLADE COND FAN ASM (S/P)
652	WR02X12149	RING COMPRESSION (S/P)
683	WR02X11027	WIRE TIE (S/P)
686	WR01X10252	SCR 10-32 TT HXW 5/16 S (S/P)
690	WR01X1466	SCR 8-32 T HXW 3/8 S (S/P)
691	WR02X10593	BRACKET COND FAN (REAR) (S/P)
725	WR87X10211	COMPRESSOR MEI (S/P)
729	WR62X0079	CAPACITOR (S/P)
730	WR84X10022	COND REPL KIT (S/P)
734	WR02X11999	CLIP RETAINER MEI (S/P)
735	WR09X10107	OVERLOAD PTCR COMBO (S/P)
736	WR02X8203	CLIP COMPRESSOR MOUNT (S/P)
737	WR02X10099	GROMMET (S/P)
740	WR86X0096	DRYER BIFURCATED XH9 (S/P)
741	WR01X1779	STUD MTG COMPR (S/P)
749	WR17X11978	BAFFLE COND AIR (S/P)
750	WR01X1786	SCREW 10-32 TR 1/2 (S/P)
753	WR02X11863	BRKT COND FAN (MTG) (S/P)
757	WR01X10193	SCR 10-32 SPECIAL (S/P)
762	WR14X10053	FOAM STRIP SE ADH (S/P)

764	WR02X9000	CLIP, COND MNT (S/P)
765	WR17X10695	BRACKET CONDENSER BAR (S/P)
775	WR17X10796	COVER WATER LINE (S/P)
800	WR57X10032	WATER VALVE ASM (S/P)
801	WR55X10942	BOARD ASM MAIN CONTROL
802	WR23X10505	HARNESS BOARD INDIV (S/P)
803	WR02X12025	MAIN BOARD ENCLOSURE ASM (S/P)
805	WR02X12265	STR RELIEF (S/P)
806	WR17X11625	TUBE PLASTIC (S/P)

**PSS26SGRCSS FRESH FOOD DOOR**





## PSS26SGRCSS FRESH FOOD DOOR

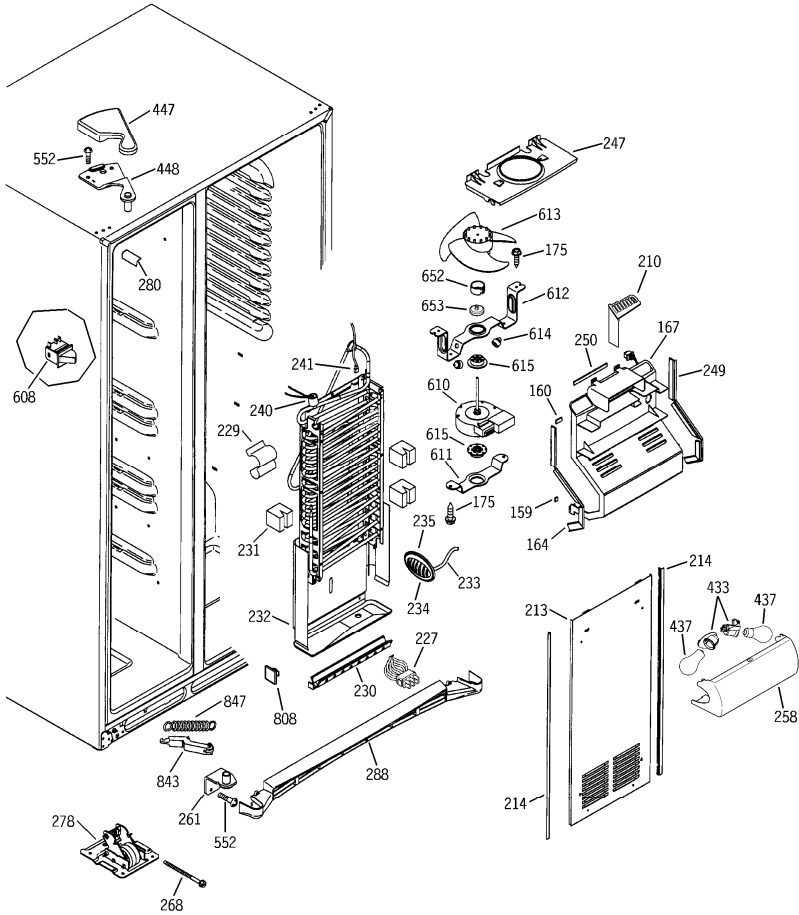
6	WR01X10450	SET SCREW <b>(S/P)</b>
7	WR12X10698	HANDLE ASM HYDROFORM <b>(S/P)</b>
9	WR02X12336	FASTENER HANDLE SS <b>(S/P)</b>
12	WR02X10782	STOP DOOR BK <b>(S/P)</b>
16	WR02X10779	CAM CLOSURE FF BK <b>(S/P)</b>
95	WR17X11481	WINE & BEVERAGE RACK <b>(S/P)</b>
103	WR24X10157	GASKET DOOR FF BK <b>(S/P)</b>
104	WR04X10129	LENS NAMEPLATE <b>(S/P)</b>
106	WR22X10042	DOOR DAIRY CLEAR <b>(S/P)</b>
107	WR22X10041	COMPARTMENT DAIRY <b>(S/P)</b>
109	WR71X10605	MODULE SHELF FF <b>(S/P)</b>
112	WR17X10607	SNUGGER MODULE <b>(S/P)</b>
115	WR71X10607	MODULE SHELF FF <b>(S/P)</b>
116	WR22X10043	TRIM DAIRY COMPARTMENT <b>(S/P)</b>
127	WR71X10764	MODULE SHELF INSERT <b>(S/P)</b>
904	WR01X10375	SCREW DOOR STOP T20 <b>(S/P)</b>
910	WR78X11560	DOOR FOAM ASM FF SS <b>(S/P)</b>
911	WR01X10233	THIMBLE DOOR TOP BK <b>(S/P)</b>
912	WR01X10232	THIMBLE DOOR BTM BK <b>(S/P)</b>

Distribuidor Autorizado

SurteRápido.com

Venta de Refacciones  
Electrodomesticas

## PSS26SGRCSS FREEZER SECTION





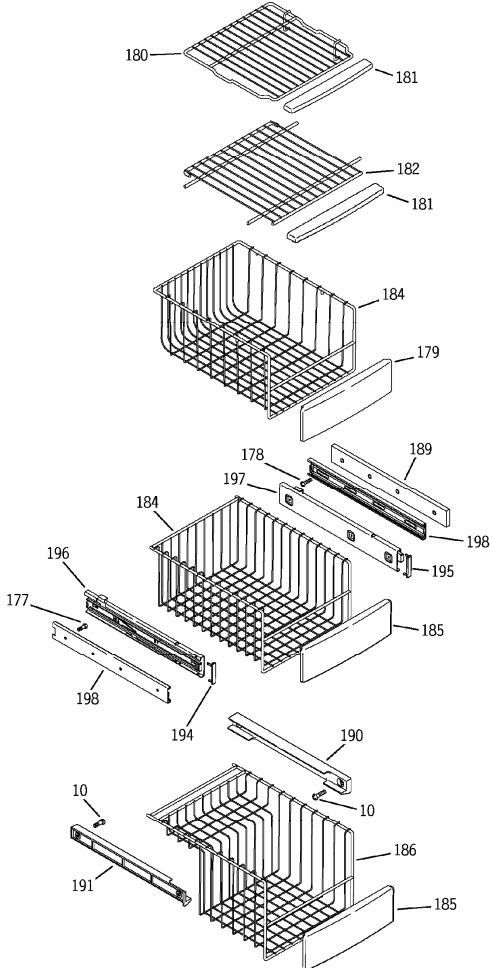


## PSS26SGRCSS FREEZER SECTION

159	WR14X10067	FOAM STRIP SE ADH (S/P)
160	WR14X10068	FOAM STRIP SE ADH (S/P)
164	WR14X10164	GASKET PLENUM (S/P)
167	WR17X11977	PLENUM FAN EVAPORATOR (S/P)
175	WR01X10035	SCR 8-18 AB IHW 5/8 S (S/P)
210	WR74X10131	GUARD WIRING (S/P)
213	WR17X11668	COVER EVAPORATOR FRONT (S/P)
214	WR14X10072	GASKET EVAP COVER (S/P)
227	WR23X10487	HARNESS AC FZ INTERMEDIA (S/P)
229	WR02X10552	CLIP EVAP THERMISTOR (S/P)
230	WR51X10055	HEATER & BRACKET ASM (S/P)
230	WR51X10042	HEATER & BRACKET ASM (S/P)
231	WR02X10669	BLOCK EVAP SEAL (S/P)
232	WR17X10811	SHIELD THROUGH ASM (S/P)
233	WR55X10025	SENSOR TEMP FZ (S/P)
234	WR02X10647	GRILLE SENSOR (S/P)
235	WR02X10668	SHUNT SENSOR (S/P)
240	WR50X10054	DEFROST THERMOSTAT (S/P)
241	WR55X10025	SENSOR TEMPERATURE FF (S/P)
247	WR17X10812	ORIFICE FAN ASM (S/P)
249	WR14X10165	GASKET PLENUM (S/P)
250	WR14X10069	FOAM STRIP SE ADH (S/P)
258	WR17X11480	SHIELD LIGHT FZ (S/P)
261	WR13X10160	HINGE BTM & PIN ASM BK (S/P)
268	WR01X10210	SCREW MOBILITY 3.5 (S/P)
278	WR02X12274	MOBILITY FRONT ASM (S/P)
280	WR02X10781	CAP CORNER OC BK (S/P)
288	WR74X10270	GRILLE BASE (S/P)
433	WR02X9391	SOCKET & TERMINAL ASM (S/P)
437	60A	LAMP 60 W (S/P)
447	WR02X10783	COVER HINGE BK (S/P)
448	WR13X10216	HINGE TOP & PIN ASM FZ (S/P)
552	WR01X2022	SCREW (S/P)

608	WR23X10286	SWITCH LIGHT <b>(S/P)</b>
610	WR60X10154	MOTOR DC EVAP FAN ASM
611	WR02X10764	BRACKET EVAP FAN BTM <b>(S/P)</b>
612	WR02X10653	BRACKET ORIFICE FAN <b>(S/P)</b>
613	WR60X10208	BLADE EVAP FAN ASM <b>(S/P)</b>
614	WR02X10540	BUMPER LID <b>(S/P)</b>
615	WR02X12008	GROMMET EVAP FAN <b>(S/P)</b>
652	WR02X12149	RING COMPRESSION <b>(S/P)</b>
653	WR02X10322	CAP DUST <b>(S/P)</b>
808	WR02X4039	ADHESIVE CLIP <b>(S/P)</b>
843	WR11X10010	LEVER ASM FZ SIDE BK <b>(S/P)</b>
847	WR01X2027	SPRING CLOSURE <b>(S/P)</b>

**PSS26SGRCSS FREEZER SHELVES**





## PSS26SGRCSS FREEZER SHELVES

10	WR01X10065	SCR 8-18 BA POR 5/8 SS (S/P)
177	WR01X10240	8-8X7/16 TORX PAN HEAD (S/P)
178	WR01X10241	8-18X13/16 TROX PAN HEAD (S/P)
179	WR12X10624	HANDLE (S/P)
180	WR71X10526	SHELF FIXED FZ (S/P)
181	WR38X10214	TRIM SHELF FZ (S/P)
182	WR71X10502	SHELF ADJUSTABLE FZ (S/P)
184	WR21X10032	BASKET FZ LONG (S/P)
185	WR12X10625	HANDLE (S/P)
186	WR21X10035	BASKET WIRE FZ (S/P)
189	WR17X10913	SPACER (S/P)
190	WR17X10916	SUPPORT SLIDE BASKET (S/P)
191	WR17X10917	SUPPORT SLIDE BASKET (S/P)
194	WR02X10810	COVER L.H. (S/P)
195	WR02X10811	COVER R.H. (S/P)
196	WR49X10145	SLIDE & BRACKET ASM (S/P)
197	WR49X10145	SLIDE & BRACKET ASM (S/P)
198	WR49X10145	SLIDE LINER (S/P)

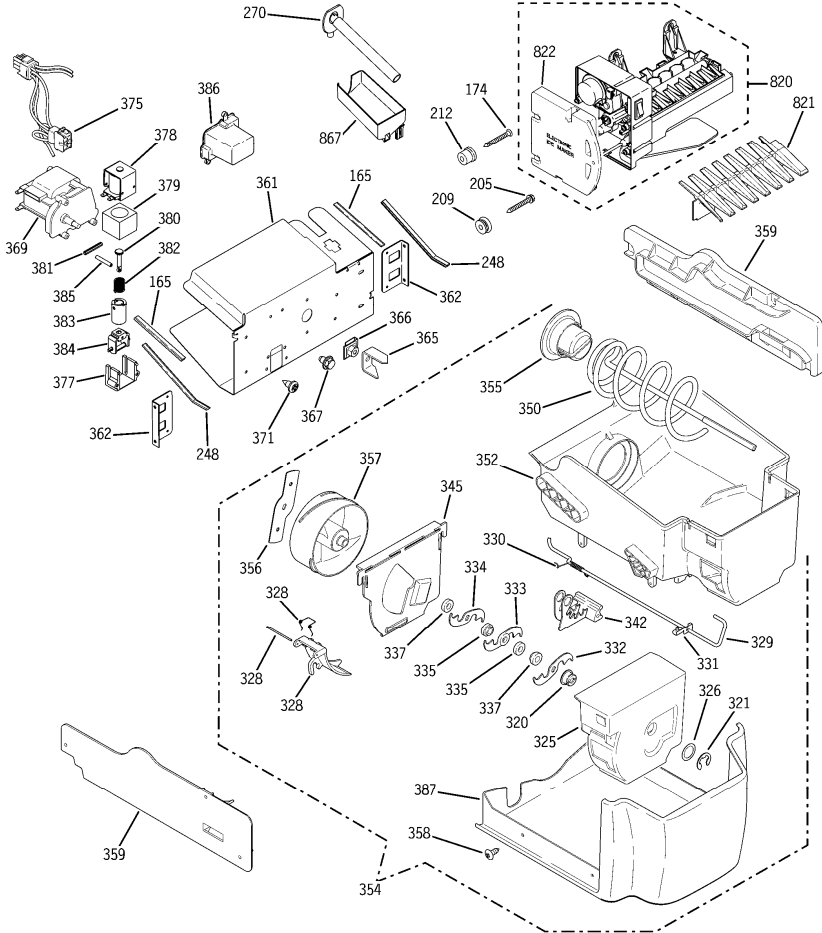
Distribuidor Autorizado

SurteRápido.com

Venta de Refacciones  
Electrodomesticas



## PSS26SGRCSS ICE MAKER & DISPENSER



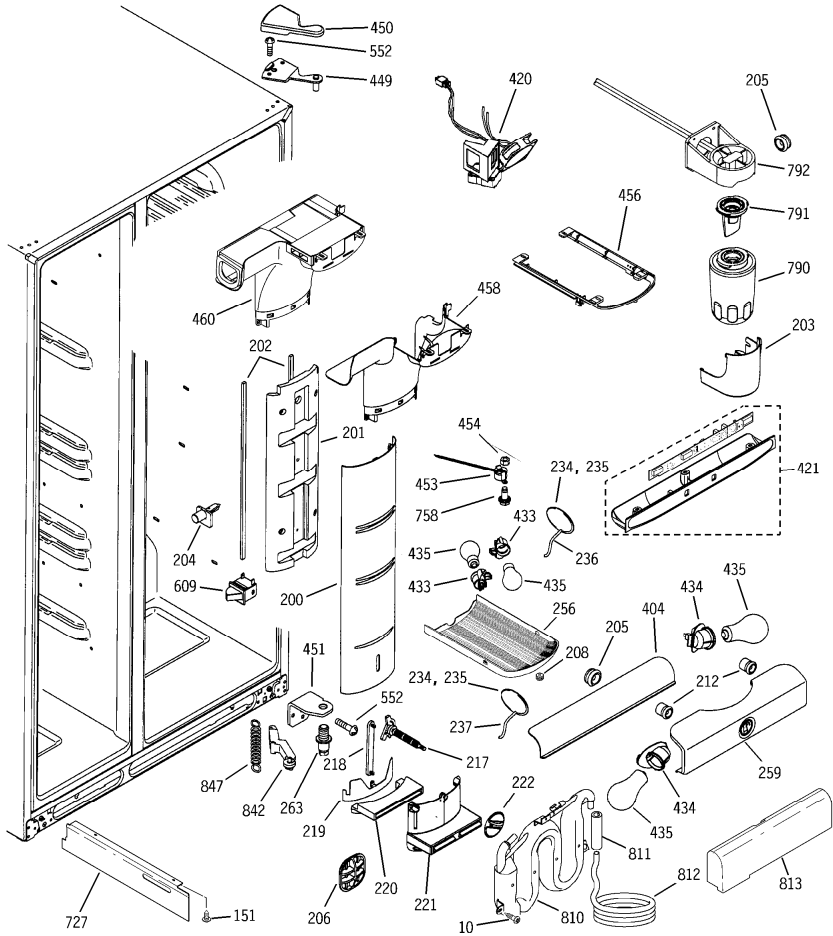


## PSS26SGRCSS ICE MAKER & DISPENSER

165	WR14X10167	GASKET MOTOR COVER (S/P)
174	WR01X10447	SCR-8-18-AB-UFL (S/P)
205	WR02X10678	GROMMET (S/P)
209	WR01X1757	SCR 8-18 AB HXW 1 1/4 S (S/P)
212	WR02X10689	GROMMET BASE GRILLE (S/P)
248	WR14X10168	GASKET MOTOR COVER (S/P)
270	WR17X11168	GROMMET AND TUBE ASM (S/P)
320	WR01X10315	NUT AUGER FRT DISP (S/P)
321	WR01X1367	RETAINER RING E (S/P)
325	WR17X11505	HOUSING CRUSHER DISP (S/P)
326	WR01X1366	WASHER (S/P)
328	WR02X4143	PIN DEFLECTOR DISP (S/P)
328	WR02X4561	SPRING ICE DEFLECTOR (S/P)
328	WR17X10703	DEFLECTOR ICE DISP (S/P)
329	WR17X11456	WIRE ACTUATOR DISP (S/P)
330	WR02X11768	SPRING DEFLECTOR (S/P)
331	WR02X10580	RETAINER SPRING (S/P)
332	WR17X1361	BLADES MOVING DISP (S/P)
333	WR17X1362	BLADES MOVING DISP (S/P)
334	WR17X1363	BLADES MOVING DISP (S/P)
335	WR02X4139	SPACER CRUSHER MIDDLE (S/P)
337	WR02X4138	SPACER CRUSHER STATIONAR (S/P)
342	WR02X10691	STATIONARY BLADES ASM (S/P)
345	WR17X11453	COVER CRUSHER (S/P)
350	WR17X11455	AUGER HELIX DISP (S/P)
352	WR30X10100	BUCKET ICE DISP (S/P)
354	WR17X11447	BUCKET AND AUGER ASM (S/P)
355	WR17X11459	CUP DRIVE (S/P)
356	WR17X11458	PLATE HELIX LOCK (S/P)
357	WR17X11457	HELIX (S/P)
358	WR01X10389	SCR 8-18 AB PHR 1/2 S (S/P)
359	WR72X10136	GLIDE BUCKET RH (S/P)
359	WR72X10137	GLIDE BUCKET LH (S/P)

361	WR17X11460	COVER MTR & SOLENOID (S/P)
362	WR02X10656	BRACKET ANGLE (S/P)
365	WR02X11534	DRIVE AUGER DISP (S/P)
366	WR01X10190	NUT J (S/P)
367	WR01X10198	SCR 8-18 TPT 1/4 (S/P)
369	WR60X10259	MOTOR CRUSHER DISP (S/P)
371	WR01X10192	SCR 10-18 HI/LO HXW 1/2 (S/P)
375	WR23X10330	HARNESS MOTOR & SOL (S/P)
377	WR02X7309	SADDLE SOLENOID (S/P)
378	WR62X0058	SOLENOID & ARM ASM
379	WR17X1063	SHROUD SOLENOID (S/P)
380	WR17X1064	PLUNGER SOLENOID (S/P)
381	WR02X4257	PIN SPIRAL (S/P)
382	WR02X4258	SPRING SOLENOID LINKAGE (S/P)
383	WR17X1065	COLLAR SOLENOID DISP (S/P)
384	WR17X1066	STIRRUP SOLENOID DISP (S/P)
385	WR02X4259	PIN SPIRAL (S/P)
386	WR02X11767	BOOT AUGER MOTOR INT (S/P)
387	WR17X11454	COVER BUCKET BOTTOM (S/P)
820	WR30X10012	ELECTRONIC IM DOMESTIC
821	WR29X10085	STRIPPER IM (S/P)
822	WR29X10068	COVER PLATE ELECTRNIC IM (S/P)
867	WR29X10058	CUP FILL IM (S/P)

**PSS26SGRCSS FRESH FOOD  
 SECTION**





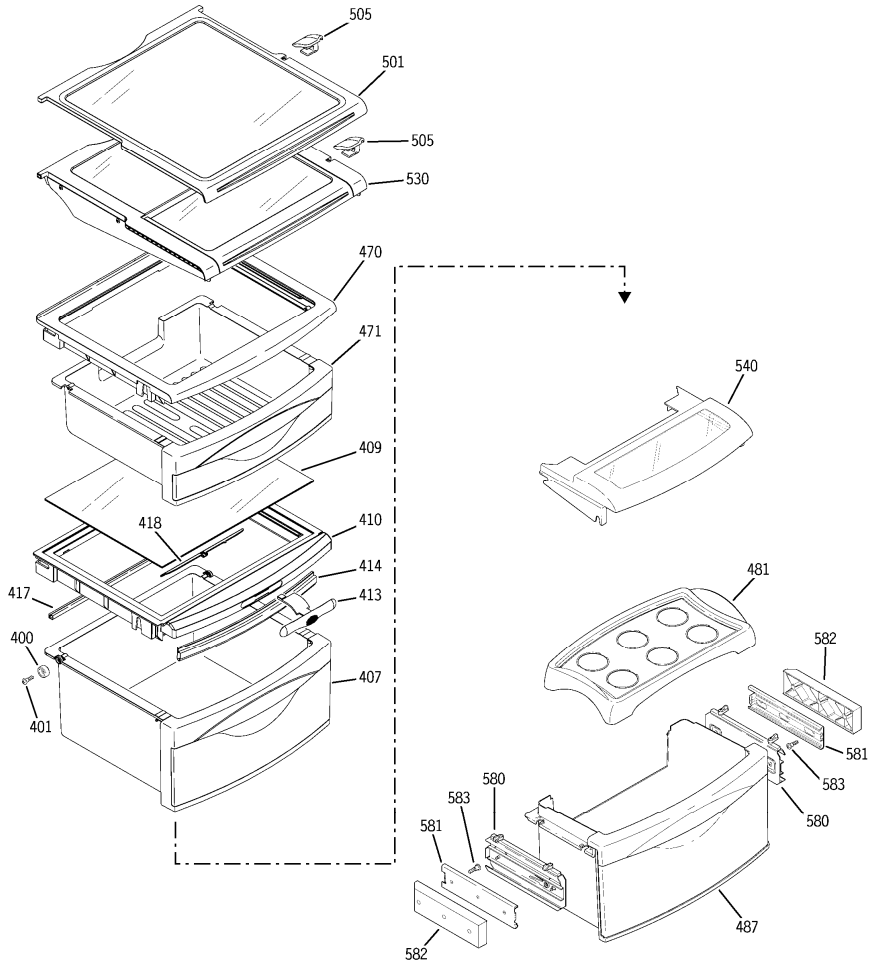


## PSS26SGRCSS FRESH FOOD SECTION

10	WR01X10065	SCR 8-18 BA POR 5/8 SS (S/P)
151	WR01X1554	SCR 8-18 AB IHXW 1/2 S (S/P)
200	WR17X10802	COVER FF TOWER (S/P)
201	WR17X10803	EPS FF TOWER (S/P)
202	WR14X10062	GASKET FF TOWER (S/P)
203	WR17X10800	COVER WATER FILTER (S/P)
204	WR49X10135	FRAME SUPPORT PINS (S/P)
205	WR02X10678	GROMMET (S/P)
206	WR02X10671	GRILLE AIR RETURN (S/P)
208	WR01X10431	NUT 6-32 UN (S/P)
212	WR02X10689	GROMMET BASE GRILLE (S/P)
217	WR32X10154	DIAL PAN CHILL (S/P)
218	WR02X10665	LINKAGE PAN CHILL (S/P)
219	WR02X10664	SHUTTER PAN CHILL (S/P)
220	WR02X11261	DUCT PAN CHILL (S/P)
221	WR02X10641	DISCHARGE PAN CHILL (S/P)
222	WR02X10666	KNOB PAN CHILL (S/P)
234	WR02X10647	GRILLE SENSOR (S/P)
235	WR02X10668	SHUNT SENSOR (S/P)
236	WR55X10025	SENSOR TEMP FF
237	WR55X10025	SENSOR TEMP FF
256	WR17X10839	SHIELD LIGHT FF (S/P)
259	WR17X10801	LIGHT SHIELD BTM FF (S/P)
263	WR02X12263	PIN HINGE BTM ADJ HOLLOW (S/P)
404	WR17X11609	DIVERTER FF AIRFLOW (S/P)
420	WR49X10091	FAN & DAMPER ASM FF
421	WR55X10390	INTERFACE CUSTOMER ASM (S/P)
433	WR02X9391	SOCKET & TERMINAL ASM (S/P)
434	WR02X10645	SOCKET LAMP (S/P)
435	40A15	LAMP 40 W (S/P)
449	WR13X10217	HINGE TOP & PIN ASM FF (S/P)
450	WR02X10784	COVER HINGE BK (S/P)
451	WR13X10159	HINGE BTM BK (S/P)

453	WR23X10209	HARNESS/TSTAT FF LT (S/P)
454	WR01X10212	NUT 8-32 (S/P)
456	WR71X10290	BEZEL LIGHT FF (S/P)
458	WR49X10091	COVER FF INLET
460	WR49X10091	COVER ASM FF INLET
552	WR01X2022	SCREW (S/P)
609	WR23X10530	SWITCH LIGHT (S/P)
727	WR17X11500	SEPARATOR AIR HISIDE (S/P)
758	WD02X0323	SCR 8-32 X 3/8 SPH (S/P)
790	MWF	FILTER CANISTER
791	WR02X11705	CAP FILTER BYPASS (S/P)
792	WR17X11618	FILTER ASM AND TUBE (S/P)
810	WR17X11440	WATER TANK DISP ASM (S/P)
811	WR02X11288	INSUL TUBE FOAM (S/P)
812	WR17X2891	TUBE PLASTIC (S/P)
813	WR17X11620	INSULATION TANK FOAM (S/P)
842	WR11X10009	LEVER ASM FF SIDE BK (S/P)
847	WR01X2027	SPRING CLOSURE (S/P)

**PSS26SGRCSS FRESH FOOD  
 SHELVES**

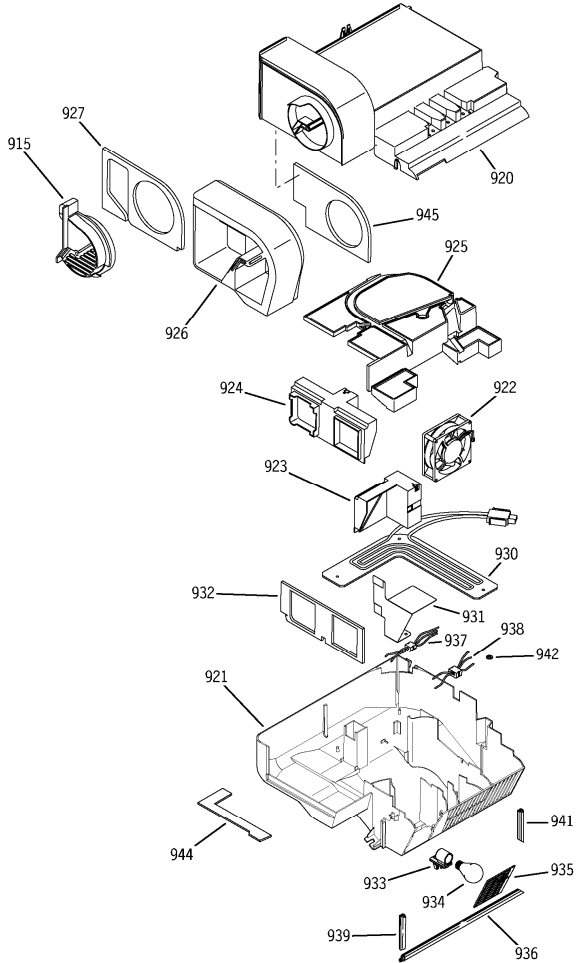




## PSS26SGRCSS FRESH FOOD SHELVES

400	WR01X10209	WHEEL PAN COVER (S/P)
401	WR01X10214	SCR 10-16 PL PNP 5/8 SZN (S/P)
407	WR32X10569	PAN MIDDLE CHILL ASM (S/P)
409	WR32X10156	GLASS PAN COVR (S/P)
410	WR32X10151	COVER MIDDLE PAN (S/P)
413	WR02X10650	HUMIDITY CONTROL (S/P)
414	WR14X10059	GASKET PAN CRV FRONT (S/P)
417	WR14X10058	GASKET PAN CRV REAR (S/P)
418	WR02X10633	SLIDE MIDDLE PAN COVER (S/P)
470	WR32X10566	COVER TOP PAN ASM (S/P)
471	WR32X10338	PAN ASM TOP (S/P)
481	WR31X10036	TRAY CUSTOM COOL (S/P)
487	WR32X10505	PAN FRAME ASM (S/P)
501	WR71X10582	SHELF SLIDEOUT ASM (S/P)
505	WR02X10662	STOP SHELF (S/P)
530	WR71X10613	SHELF TUCKAWAY ASM (S/P)
540	WR31X10044	COVER PAN ASM (S/P)
580	WR49X10144	SLIDE AND BRACKET ASM L (S/P)
581	WR49X10144	SLIDE LINER (S/P)
582	WR72X10142	SPACER SLIDE (S/P)
583	WR01X10399	SCR 8-18 AB HW 1/2 S (S/P)

**PSS26SGRCSS CUSTOM COOL**





**PSS26SGRCSS CUSTOM COOL**

915	WR02X10808	GRILL MULLION (S/P)
920	WR31X10008	COVER UPPER (S/P)
921	WR31X10043	COVER LOWER (S/P)
922	WR60X10227	FAN CHILL (S/P)
923	WR60X10063	DAMPER ASM DESUPPLY (S/P)
924	WR60X10062	DAMPER ASM SUPPLY (S/P)
925	WR31X10007	PLENUM TOP (S/P)
926	WR31X10009	DUCT CAVITY CHILL (S/P)
927	WR14X10095	GASKET MULLION DUCT (S/P)
930	WR51X10081	HEATER THAW (S/P)
931	WR02X10809	REFLECTOR (S/P)
932	WR14X10096	GASKET DAMPER CHILL (S/P)
933	WR31X10012	LIGHT SOCKET CHILL (S/P)
934	WR02X10812	LAMP 40W CHILL (S/P)
935	WR31X10010	GRILL BULB CHILL (S/P)
936	WR14X10092	SEAL AHU CHILL (S/P)
937	WR23X10203	HARNESS CHILL AC (S/P)
938	WR23X10237	HARNESS CHILL DC (S/P)
939	WR14X10090	SEAL AHU CHILL (S/P)
941	WR14X10091	SEAL AHU CHILL (S/P)
942	WR01X10239	WASHER RETAINER CHILL (S/P)
944	WR14X10093	GASKET LC (S/P)
945	WR14X10094	GASKET UC (S/P)