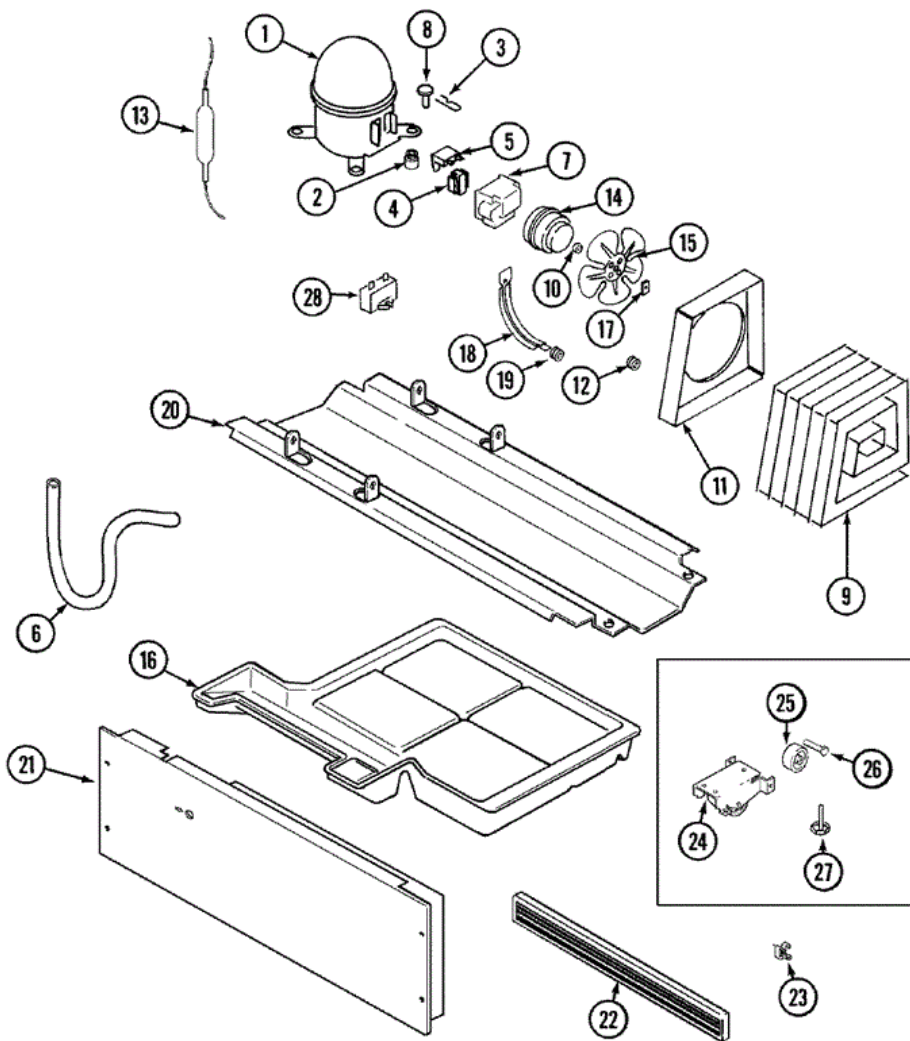


Distribuidor Autorizado

**SurteRápido.com**

Venta de Refacciones  
Electrodomesticas

## PTB1950DEW COMPRESSOR



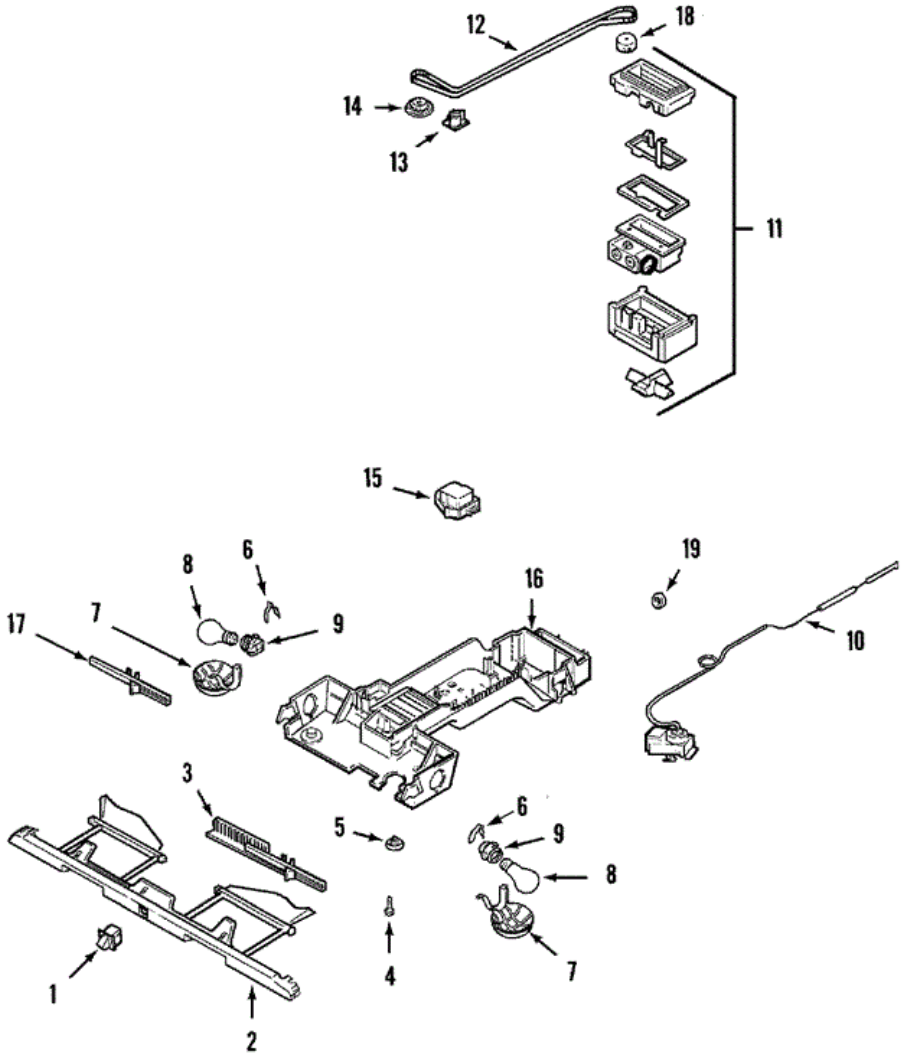


## PTB1950DEW COMPRESSOR

1	12001379	10	KIT,COMPRESSOR (R134A) 115V
1	61002223	10	WIRE HARNESS, COMPRESSOR
2	17245-4	10	GROMMET, COMPRESSOR
2	61005241	12	GROMMET, COMPRESSOR
3	61003099	10	CLIP, COMPRESSOR
4	68857-2	10	RELAY, START
5	61002037	10	OVERLOAD
6	61002214	10	TUBE, DRAIN TRAP
7	61002138	10	COVER, TERMINAL
8	52656-2	10	PLUG, COMPRESSOR
9	61002841	10	CONDENSER
9	61004378	10	SCREW
10	61001686	10	WASHER, FAN BLADE
11	61001941	10	SHROUD, CONDENSER
12	61002033	10	GROMMET, CONDENSER TUBING
13	13900-1	10	DRIER
14	61002038	10	MOTOR, CONDENSER FAN
14	65275-33	10	SCREW
15	60683-1	10	BLADE, CONDENSER FAN
16	400017-1	10	SCREW
16	61001955	10	PAN, DRAIN
17	19914	10	CLIP, FAN BLADE
18	69181-1	10	BRACKET, FAN MOTOR
19	61004743	10	GROMMET, BRACKET
20	61002327	10	PAN, COMPRESSOR MTG.
20	61002407	10	SCREW
20	61005272	12	PAN, COMPRESSOR MTG.
21	61004654	10	COVER, COMPRESSOR COMPARTMENT
21	61005005	10	SCREW
21	65275-1	10	SCREW
22	61002427	10	KICKPLATE W/CLIPS (WHT)
23	61001975	10	CLIP, KICKPLATE
24	400016-1	10	SCREW

24	61005216	10	WHEEL ASSY. (FRT)
25	61003826	10	WHEEL (REAR)
26	61002104	10	PIN, WHEEL
27	61002014	10	LEG, LEVELING
28	400017-1	10	SCREW
28	65889-4	10	CAPACITOR, RUN
29	12001492	10	YODER LOOP HEATER REPAIR (115V
30	61005251	10	MANUAL, USE & CARE
31	16008248	10	MANUAL, SERVICE-NO REFUND

**PTB1950DEW CONTROL**

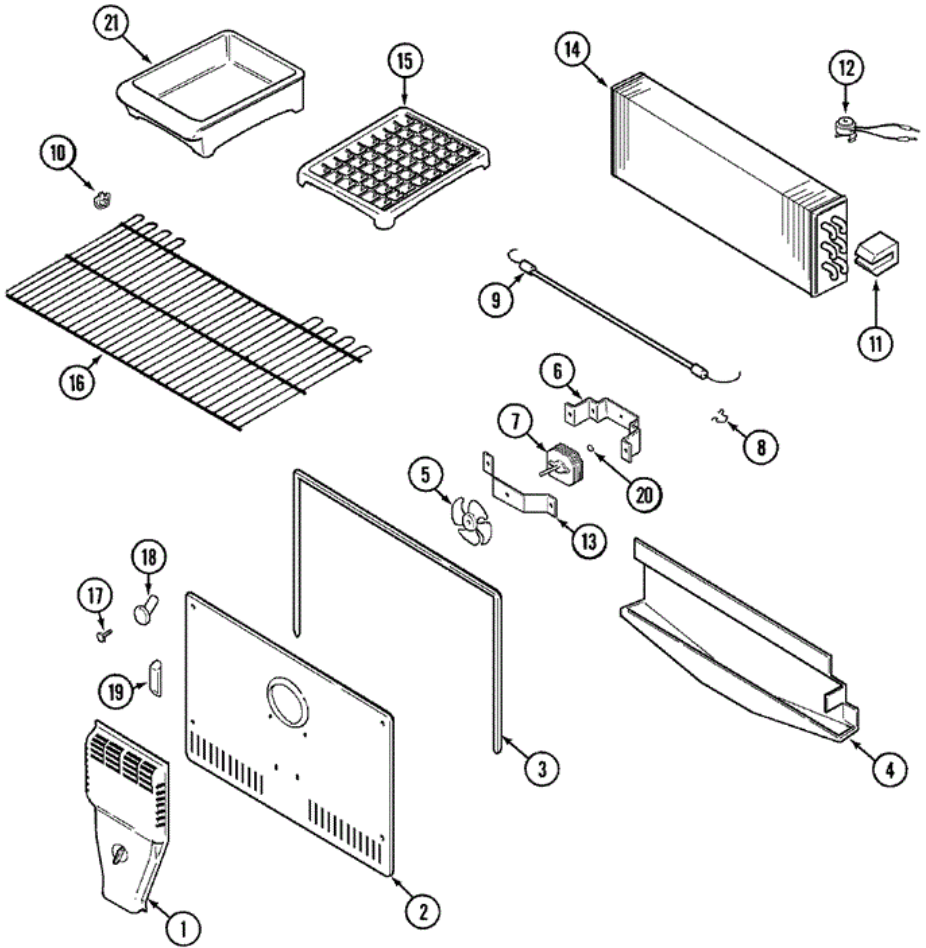




## PTB1950DEW CONTROL

1	61003026	10	SWITCH, LIGHT
2	61005252	10	PANEL, CONTROL
3	61002295	10	SLIDE, CONTROL (FRZ.)
4	61004485	10	SCREW
5	61002288	10	GEAR, CONTROL (F.F.)
6	61002117	10	CLIP, RECEPTACLE
7	61002286	10	GUARD, LIGHT
8	61001787	10	BULB, LIGHT
9	61001945	10	RECEPTACLE, BULB
10	61002287	10	CONTROL, TEMPERATURE
10	65275-81	10	SCREW
11	61002092	10	DAMPER/INSULATION KIT
12	61002290	10	BELT, DAMPER
13	61002289	10	TENSIONER, BELT
14	61002291	10	GEAR, DAMPER BELT (FRT)
15	405007-1	10	SCREW
15	68233-3	10	TIMER, DEFROST
16	61002296	10	SHIELD, HEAT (LT)
16	61002297	10	SHIELD, HEAT (RT)
16	61004643	10	HOUSING, CONTROL
17	61002294	10	SLIDE, CONTROL (F.F.)
18	61002292	10	GEAR, DAMPER BELT (REAR)
19	61001977	10	SEAL, DRAIN
20	61002316	10	WIRE HARNESS, CONTROLS

**PTB1950DEW FREEZER COMPARTMENT**



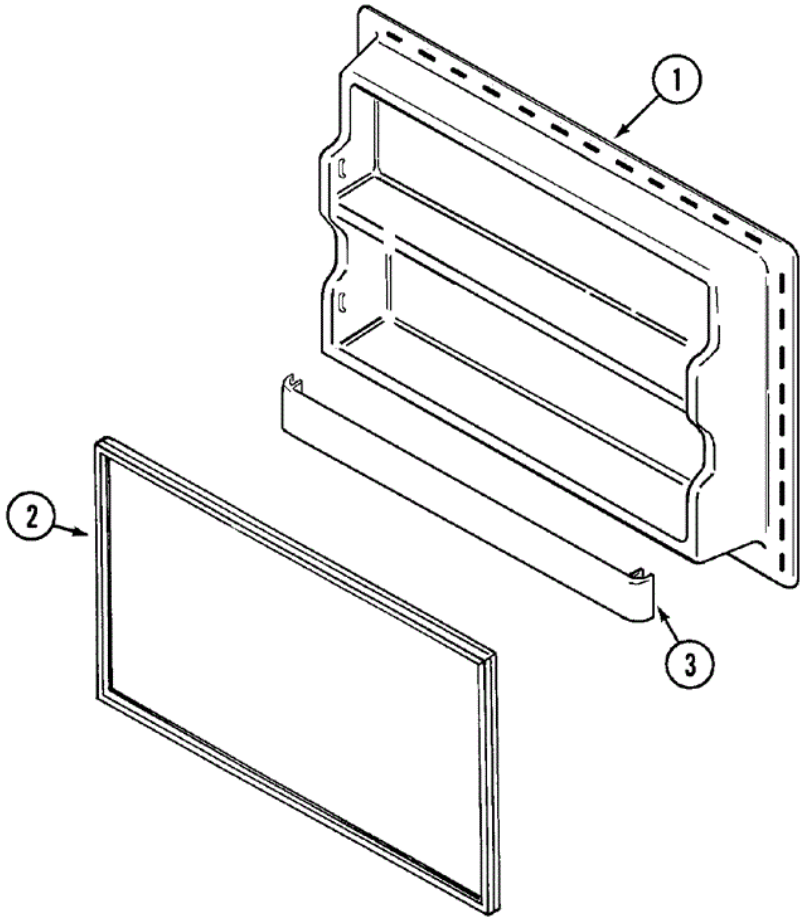


**PTB1950DEW FREEZER COMPARTMENT**

1	61002205	10	TUNNEL, AIR
2	61002418	10	COVER, EVAPORATOR
2	61002429	10	SCREW
3	61002276	10	SEAL, FOAM (CTR)
3	61004545	10	SEAL, EVAPORATOR COVER
4	61004832	10	BARRIER, FOIL
4	61004838	10	TRAY, DRIP
5	61005066	10	BLADE, EVAPORATOR FAN
6	61001930	10	BRACKET, EVAPORATOR FAN
6	61005240	10	SCREW
7	61004888	10	MOTOR, EVAPORATOR FAN
8	61004834	10	CLIP, DEFROST HEATER
9	61002045	10	HEATER, DEFROST
10	61002142	10	SUPPORT, FRZ. SHELF (FRT)
10	61002143	10	SUPPORT, FRZ. SHELF (REAR)
11	61004835	10	SUPPORT, EVAPORATOR (LT)
11	61004836	10	SUPPORT, EVAPORATOR (RT)
12	61004833	10	THERMOSTAT, DEFROST
13	61002234	10	RETAINER, EVAPORATOR FAN
13	61005240	10	SCREW
14	12001397	10	EVAP/HEAT EXCH. ASSY. 19'
15	61002140	10	TRAY, ICE
16	61002420	10	SHELF, FRZ.
17	61005015	10	PLUG BUTTON, ICE MAKER
18	61002026	10	CAP, FILL TUBE
19	61002027	10	CAP, I/M WIRE HARNESS
20	61002235	10	BUSHING, EVAPORATOR FAN
21	61002177	10	PAN, ICE
22	61005033	10	WIRE HARNESS, FRZ.



**PTB1950DEW FREEZER INNER DOOR**



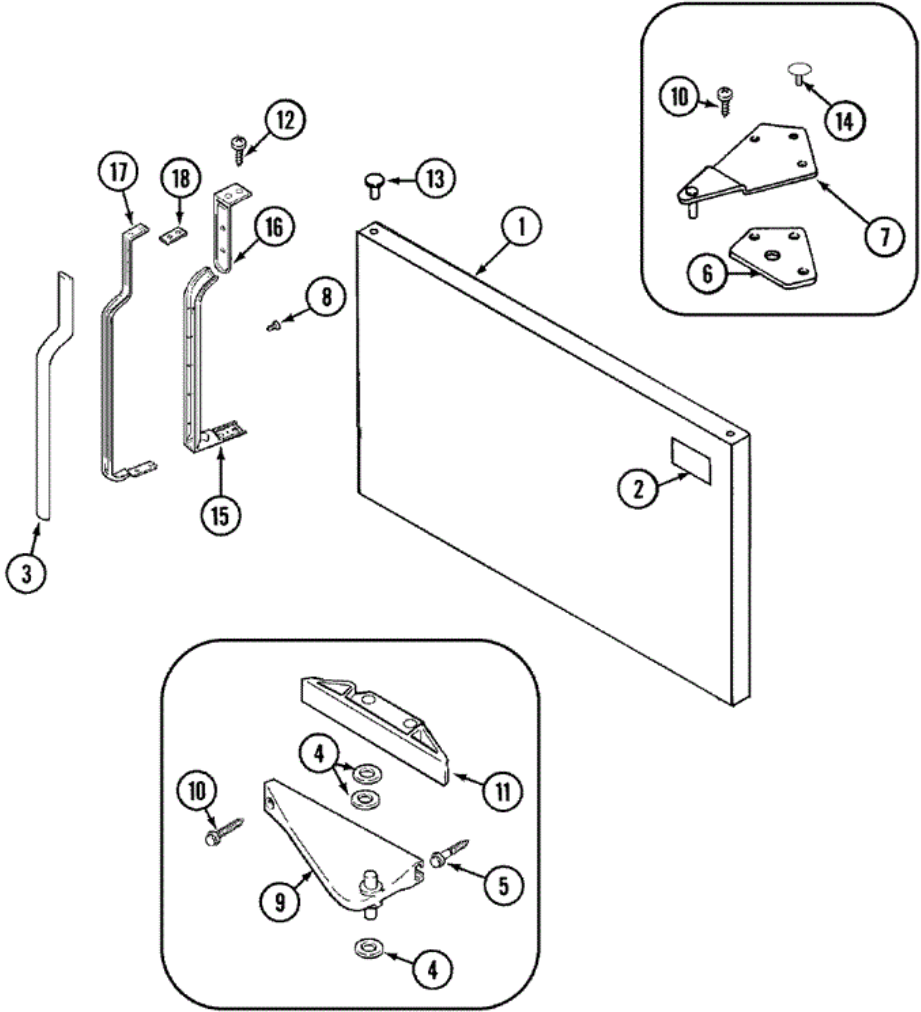




## PTB1950DEW FREEZER INNER DOOR

1	61002261	10	LINER. FRZ. DOOR
1	61005005	10	SCREW
2	61004007	10	SEAL, FRZ. DOOR (WHT)
3	61002265	10	FRONT, PICK-OFF

**PTB1950DEW FREEZER OUTER DOOR**

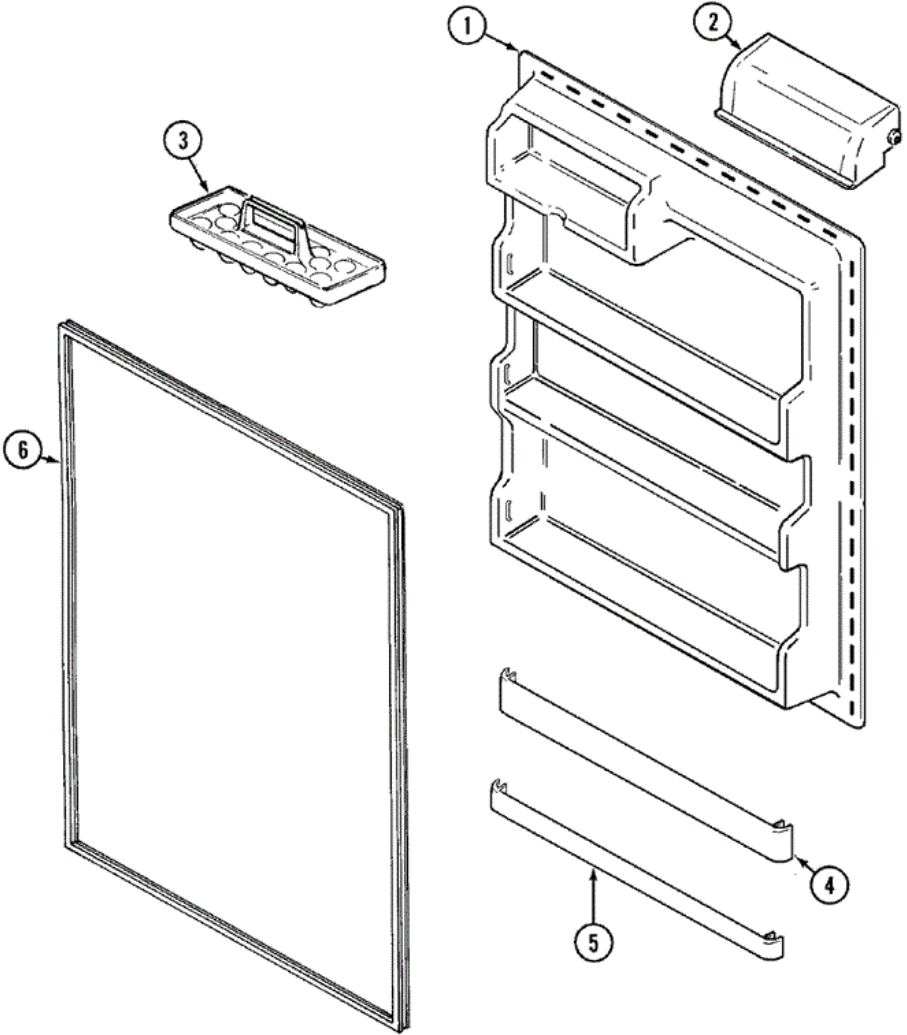




**PTB1950DEW FREEZER OUTER DOOR**

1	61002402	10	PANEL, FRZ. DOOR (WHT)
1	61005659	10	LABEL, DUAL ENERGY GUIDE
2	61005228	10	NAMEPLATE (WHT)
3	61002209	10	COVER, HANDLE (WHT)
4	61002231	10	WASHER, HINGE
5	61002025	10	SCREW
6	61001922	10	SHIM, UPPER HINGE
7	61004896	10	HINGE, UPPER
8	65275-44	10	SCREW
9	61001920	10	HINGE, CENTER (WHT)
10	61003128	10	SCREW
10	61004763	10	SCREW
11	61002180	10	SCREW
11	61004481	10	STOP, DOOR (WHT)
12	61002924	10	SCREW
13	61001908	10	PLUG BUTTON, HINGE CUP (WHT)
14	61001923	10	PLUG BUTTON, HINGE (WHT)
15	61001795	10	PLUG BUTTON (WHT)
15	61002149	10	HANDLE (WHT)
16	61002325	10	BASE, EXTENSION
17	61002326	10	FRAME, HANDLE
18	67934-1	10	SHIM, HANDLE

**PTB1950DEW FRESH FOOD INNER  
DOOR**

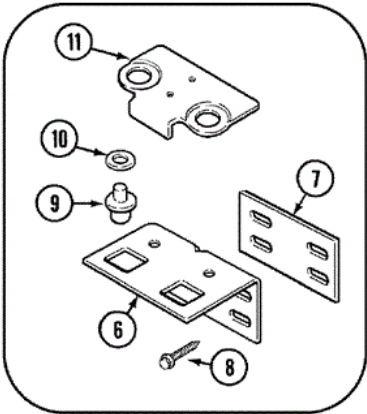
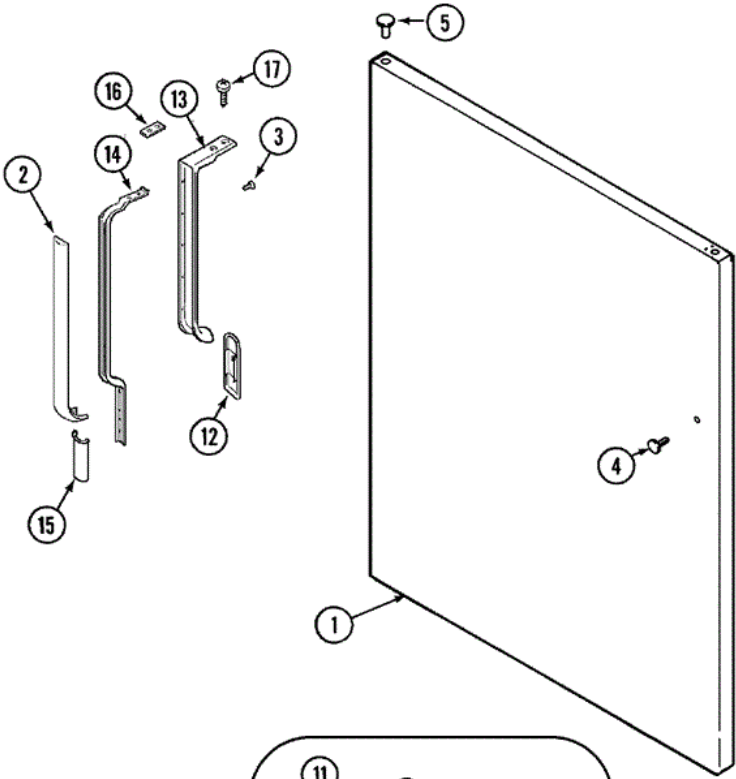




**PTB1950DEW FRESH FOOD INNER  
DOOR**

1	61002513	10	LINER, F.F. DOOR
1	61005005	10	SCREW
2	61002160	10	DOOR, DAIRY
3	60066-1	10	TRAY, EGG
4	61002514	10	FRONT, PICK-OFF
5	61002260	10	FRONT, PICK-OFF
6	61004008	10	SEAL, F.F. DOOR (WHT)

**PTB1950DEW FRESH FOOD OUTER  
DOOR**





**PTB1950DEW FRESH FOOD OUTER  
DOOR**

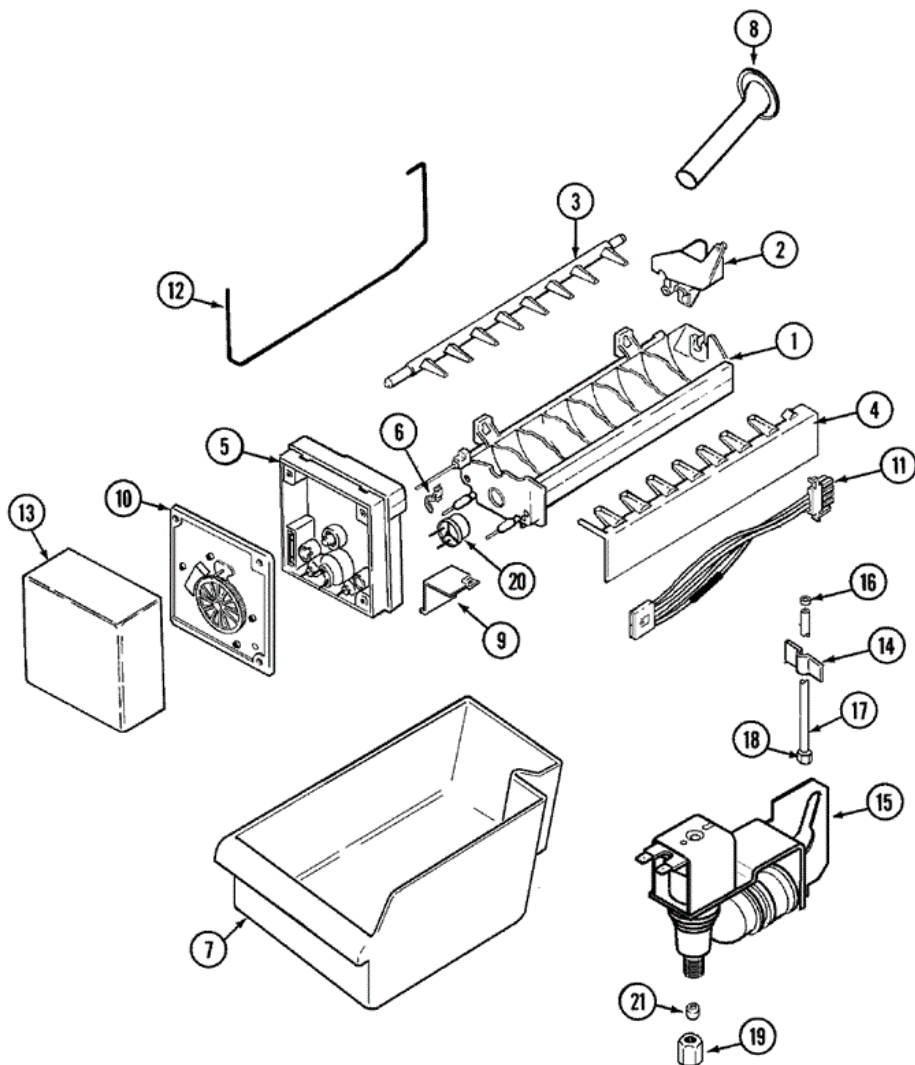
1	61002397	10	PANEL, F.F. DOOR (WHT)
2	61002146	10	INSERT, HANDLE (WHT)
3	65275-44	10	SCREW
4	61001795	10	PLUG BUTTON (WHT)
4	67678-2	10	PLUG BUTTON (WHT)
5	61001908	10	PLUG BUTTON, HINGE CUP (WHT)
6	61001918	10	HINGE, LOWER (WHT)
7	61001926	10	SHIM, LOWER HINGE
8	61002022	10	SCREW
9	61001925	10	PIN, LOWER HINGE
10	61002231	10	WASHER, HINGE
11	61001876	10	SCREW
11	61001969	10	STOP, DOOR
12	61002148	10	BASE, EXTENSION
13	61002149	10	HANDLE (WHT)
13	61002180	10	SCREW
14	61002151	10	FRAME, HANDLE
15	61002152	10	TRIM, HANDLE EXT. (WHT)
16	67934-1	10	SHIM, HANDLE
17	61002924	10	SCREW

Distribuidor Autorizado

SurteRápido.com

Venta de Refacciones  
Electrodomesticas

## PTB1950DEW ICE MAKER



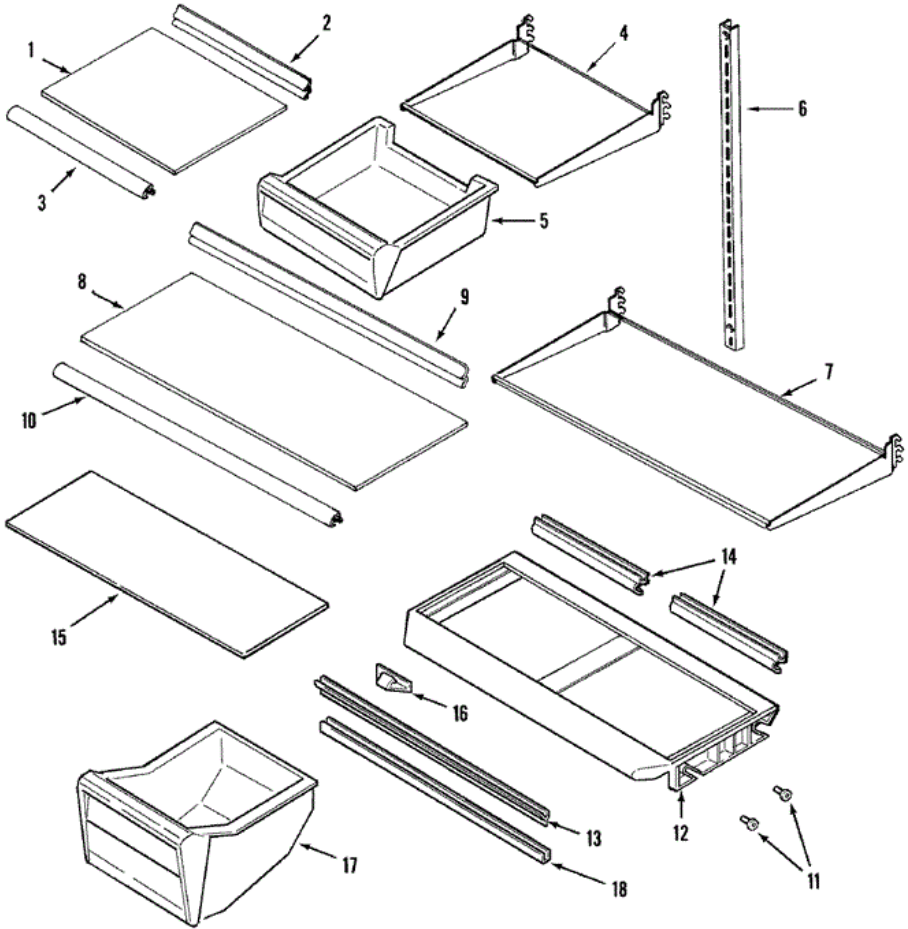




**PTB1950DEW ICE MAKER**

1	95098-1	10	MOLD & HEATER ASSY.
1	95099-1	10	GREASE, SILICONE
2	95100-1	10	INLET, WATER
3	95101-1	10	EJECTOR, ICE
4	95102-1	10	STRIPPER, ICE
5	95103-1	10	SUPPORT, MODULE HOUSING
5	95106-1	10	SCREW
6	95104-1	10	RETAINER, THERMOSTAT
7	61001886	10	PAN, ICE
8	61001888	10	GROMMET, WATER ENTRY
9	95107-1	10	BRACKET, MODULE & HEATER
9	95108-1	10	SCREW, BRACKET
10	400021-1	10	SCREW
10	95109-1	10	MODULE, ICE MAKER
11	61001882	10	WIRE HARNESS, ICE MAKER
12	68112-1	10	ARM, SENSOR
13	61001239	10	COVER, ICE MAKER
14	400016-1	10	SCREW
14	53516-8	10	CLAMP, TUBING
14	61001889	10	CLIP, WATER LINE (ADHESIVE)
15	61001884	10	VALVE, WATER
15	61002819	10	SCREW
16	60333-4	10	CLAMP, SPRING
17	67579-6	10	TUBING, VALVE TO GROMMET
18	69583-1	10	NUT, COMPRESSION (1/4``)
19	69432-1	10	NUT, BRASS (1/4``)
20	95092-1	10	THERMOSTAT
20	95093-1	10	CEMENT, ALUMILASTIC (4 OZ.)
21	69431-1	10	SLEEVE, BRASS

**PTB1950DEW SHELVES**





## PTB1950DEW SHELVES

1	61002509	10	GLASS, SPLIT SHELF
2	61002475	10	TRIM, MEAT SHELF (REAR)
3	61002483	10	TRIM, SHELF (FRT)
4	61002484	10	FRAME, MEAT SHELF
4	61002485	10	FRAME, SPLIT SHELF
5	61002512	10	PAN, MEAT
6	400017-1	10	SCREW
6	400037-28	10	SCREW
6	61002253	10	RAIL, CANT. SHELF
6	61002254	10	RAIL, SHELF SUPPORT (LT/RT)
7	61002491	10	FRAME, FULL SHELF
8	61002510	10	GLASS, FULL SHELF
9	61002489	10	TRIM, FULL SHELF (REAR)
10	61002490	10	TRIM, FULL SHELF (FRT)
11	400017-1	10	SCREW
11	67764-1	10	SUPPORT, CRISPER SHELF
12	61002511	10	SHELF, CRISPER
13	61002389	10	SEAL, CRISPER SHELF (FRT)
14	61003129	10	SEAL, CRISPER SHELF (REAR)
15	61002459	10	GLASS, CRISPER SHELF
16	61002187	10	CONTROL, HUMIDITY
17	61002515	10	PAN, CRISPER
18	61005012	10	RAIL, CRISPER SUPPORT