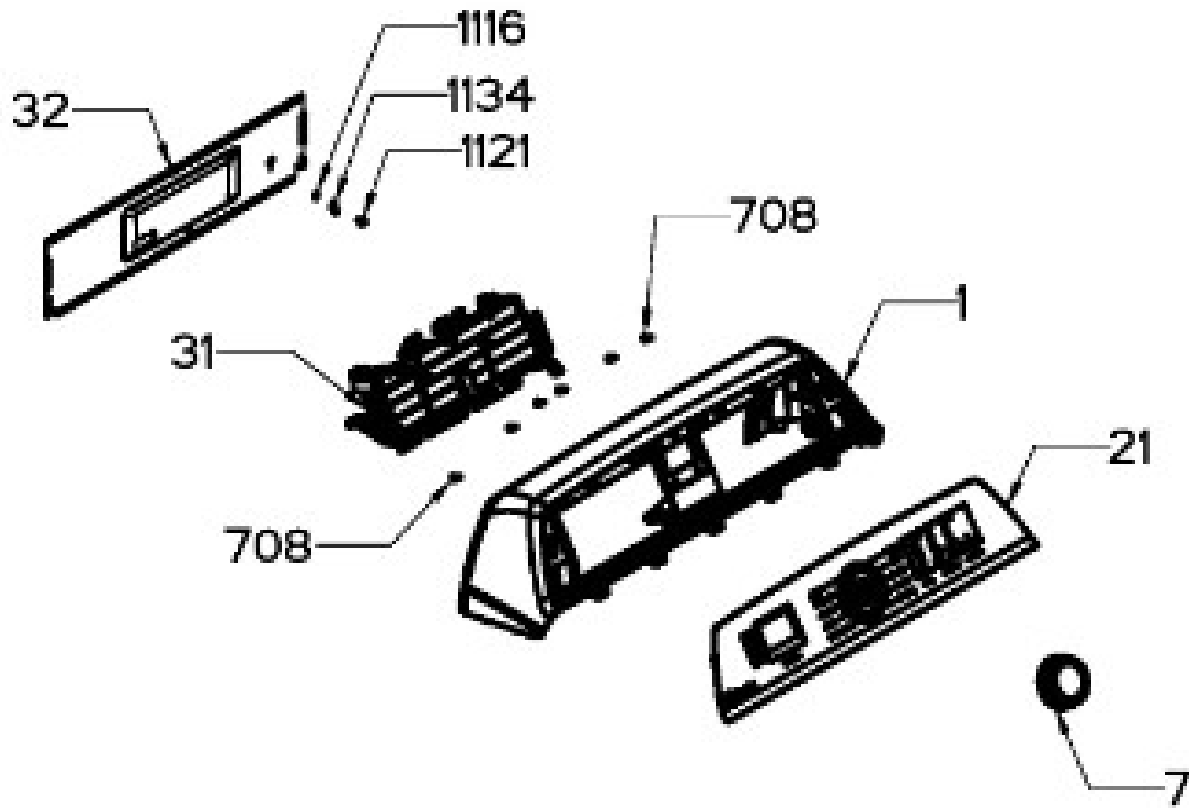


Distribuidor Autorizado

SurteRápido.com

Venta de Refacciones  
Electrodomesticas

# SECADORA PTD70EBMT0DG

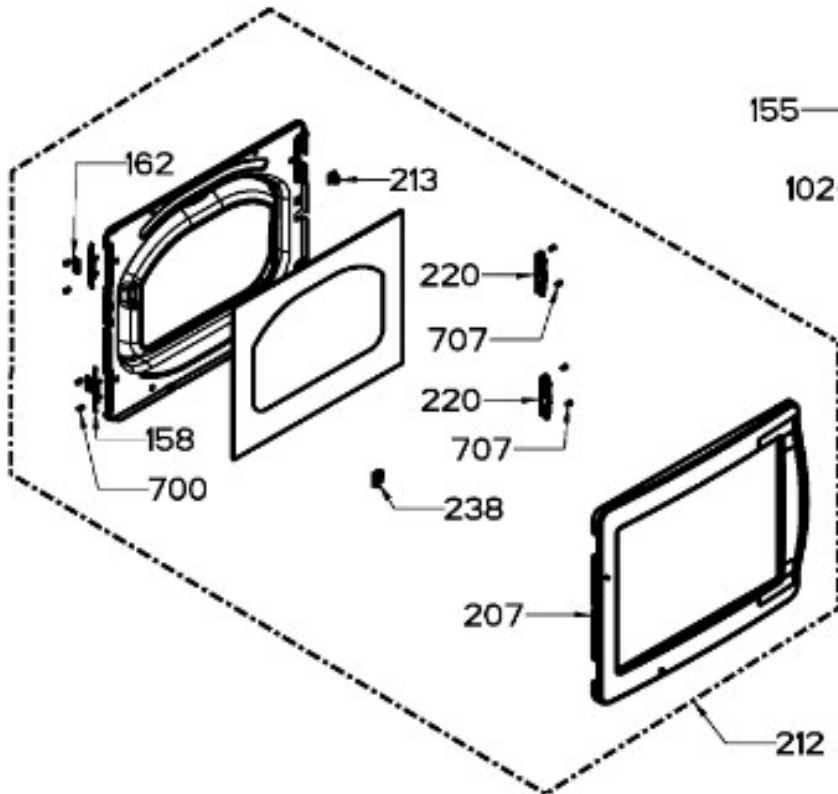
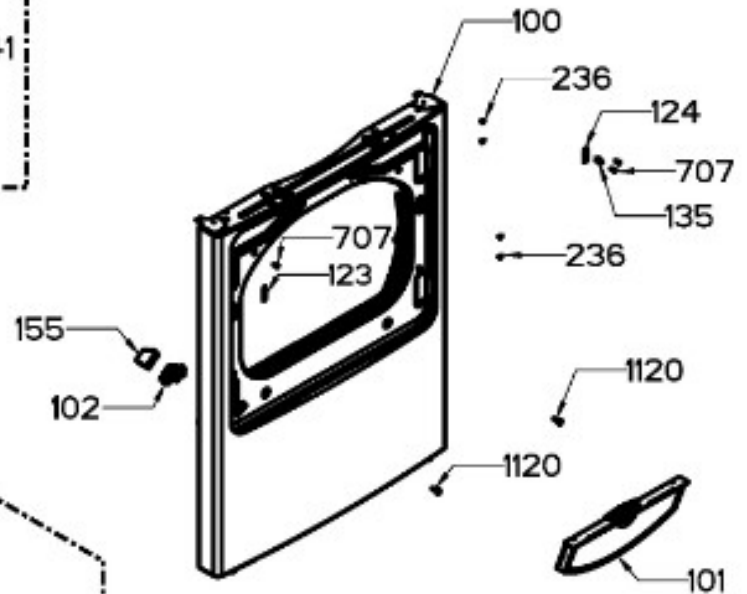
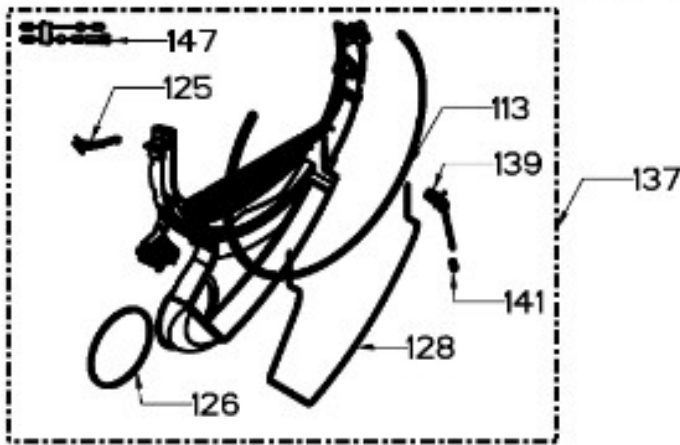
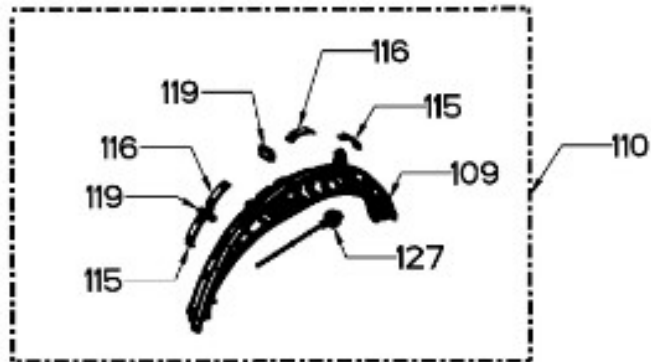


Distribuidor Autorizado

SurteRápido.com

Venta de Refacciones  
Electrodomesticas

# SECADORA PTD70EBMT0DG

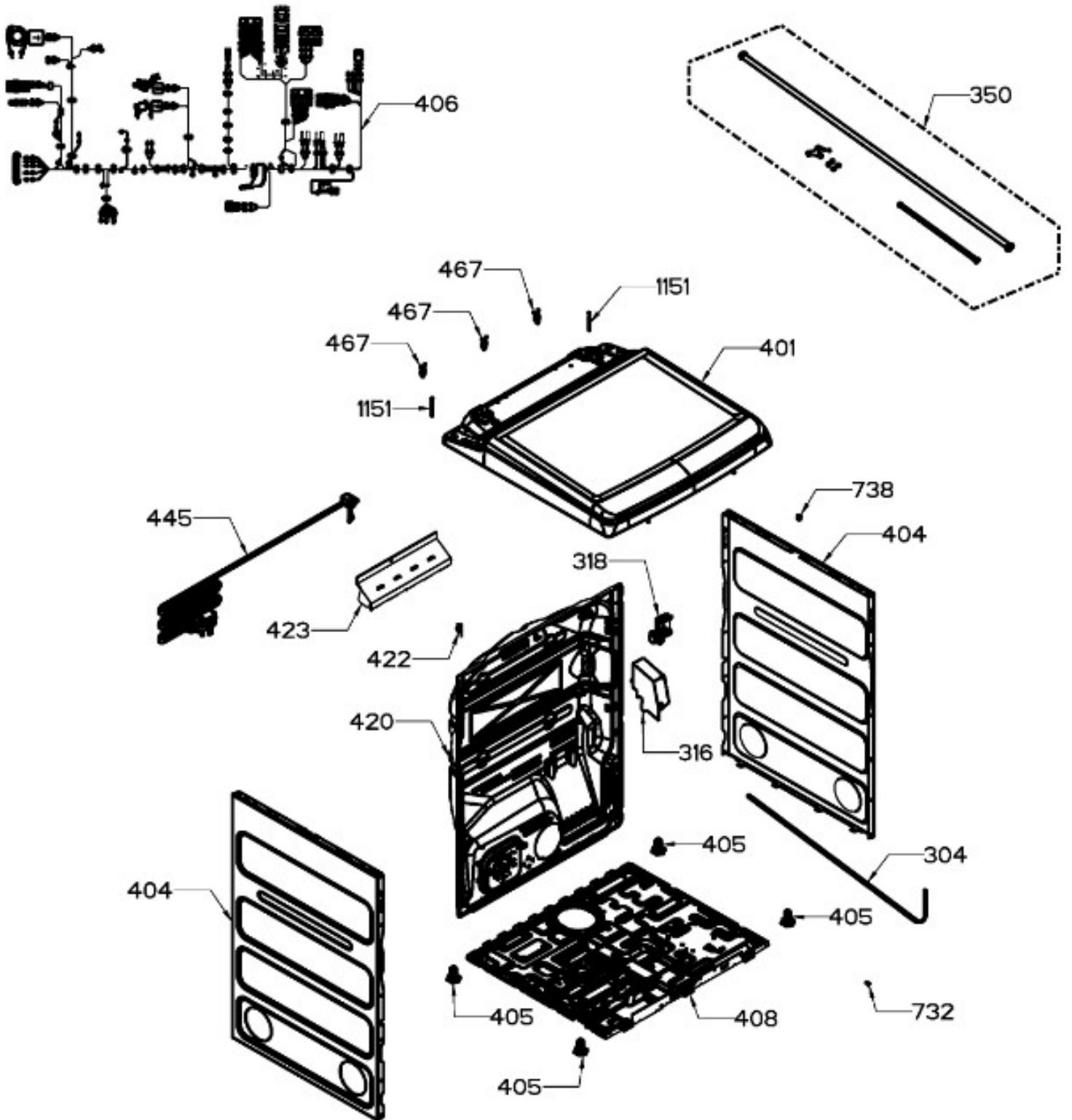


Distribuidor Autorizado

SurteRápido.com

Venta de Refacciones  
Electrodomesticas

# SECADORA PTD70EBMT0DG

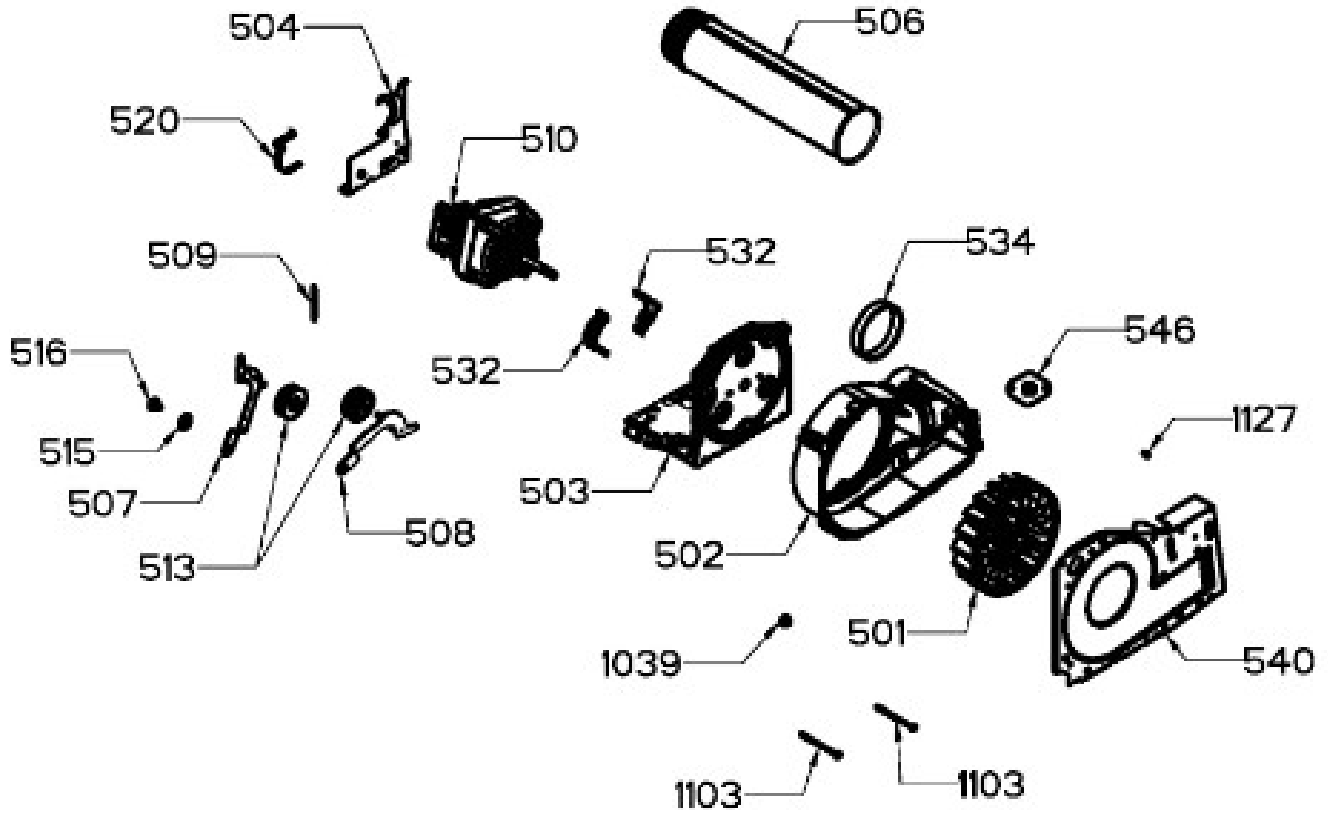


Distribuidor Autorizado

SurteRápido.com

Venta de Refacciones  
Electrodomesticas

# SECADORA PTD70EBMT0DG

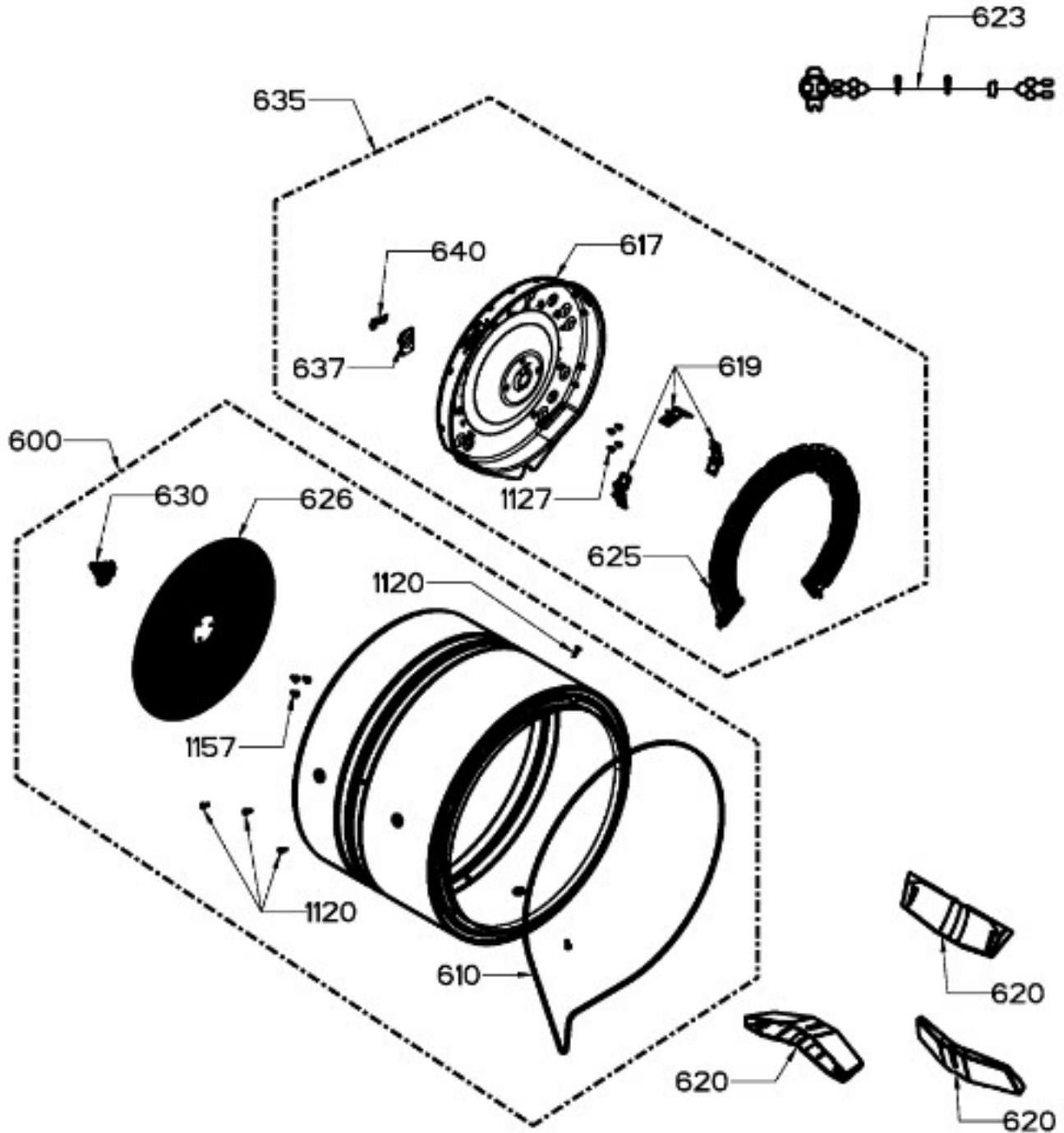


Distribuidor Autorizado

SurteRápido.com

Venta de Refacciones  
Electrodomesticas

# SECADORA PTD70EBMT0DG



Distribuidor Autorizado

**SurteRápido.com**

Venta de Refacciones  
Electrodomesticas

## SECADORA PTD70EBMT0DG

| Guía | Refacción  | Descripción                  |
|------|------------|------------------------------|
| 1    | WW02L00719 | ENS COPETE                   |
| 7    | WW02L00717 | ENS PERILLA                  |
| 21   | WW02F00903 | TARJETA UI Y IMD ENS         |
| 31   | WW02F00902 | TARJETA MC & SOPORTE ENS     |
| 32   | WW02L00502 | PANEL TRASERO                |
| 100  | WW02L00578 | PANEL FRONTAL                |
| 101  | WW02F00534 | FILTRO ATRAPAPELUSA ENSAMBLE |
| 102  | WW02F00809 | INTERRUPTOR DE PUERTA        |
| 109  | WW02A00194 | COJINETE SUPERIOR            |
| 110  | WW02L00463 | ENSAMBLE COJINETE SUPERIOR   |
| 113  | WW02F00783 | FELPA DUCTO RECOLECTOR       |
| 115  | WW03A00015 | COJINETE DESLIZABLE          |
| 116  | WW02A00250 | COJINETE DESLIZABLE          |
| 119  | WW02F00784 | FELPA                        |
| 123  | WW02A00056 | STRIKE PLATE                 |
| 124  | WW02A00057 | STRIKE PLATE                 |
| 125  | WW02F00088 | SENSOR ROD                   |
| 126  | WW02L00040 | GASKET FOAM                  |
| 127  | WW02L00676 | ENS LED                      |
| 128  | WW02L00527 | SELLO                        |
| 135  | WW03F00307 | SEGURO                       |
| 137  | WW02A00242 | ENS TRAP DUCT                |
| 139  | WW02L00718 | ESPREA                       |
| 141  | WW01F01458 | CONECTOR DE SERVICIO         |
| 147  | WW02F00757 | ARNES SENSOR ENSAMBLE        |
| 155  | WW02L00466 | PROTECTOR INTERRUPTOR        |
| 158  | WW02L00714 | TAPA RANURA BISAGRA          |
| 162  | WW02L00716 | TAPA BISAGRA                 |
| 207  | WW02L00729 | MARCO PUERTA                 |
| 212  | WW02L00725 | ENS PUERTA                   |
| 213  | WW02F00622 | LATCH                        |
| 220  | WW02A00252 | BISAGRA ENS                  |
| 236  | WW02A00066 | BOTON BELLEZA                |
| 238  | WW02L00715 | TAPON BELLEZA LATCH          |
| 304  | WW02F00849 | TUBO DE PLASTICO             |

Distribuidor Autorizado

**SurteRápido.com**

Venta de Refacciones  
Electrodomesticas

## SECADORA PTD70EBMT0DG

| Guía | Refacción  | Descripción                    |
|------|------------|--------------------------------|
| 316  | WW03L00202 | PROTECTOR VALVULA DE AGUA      |
| 318  | WW02F00182 | VALVULA DE AGUA                |
| 350  | WW02A00088 | KIT MANGUERAS EXTERNAS         |
| 401  | WW02L00709 | COVER TOP                      |
| 404  | WW02L00574 | PANEL LATERAL                  |
| 405  | WW02L00244 | PATA NIVELADORA                |
| 406  | WW02F00894 | ENS ARNES ELECTRICO            |
| 408  | WW01L01655 | BASE CHASIS                    |
| 420  | WW02A00193 | PANEL POSTERIOR                |
| 420  | WW02L00536 | PANEL POSTERIOR                |
| 420  | WW02L00536 | PANEL POSTERIOR                |
| 422  | WW02F00022 | CORD SET RETAINER              |
| 423  | WW02L00107 | ESCUDO CALOR POST.             |
| 445  | WW03F00109 | CORDON TOMACORRIENTE(240V CA)  |
| 467  | WW02F00704 | HARDWARE COMPONENTS            |
| 501  | WW02F00900 | VENTILADOR                     |
| 502  | WW02F00694 | CUBIERTA VENTILADOR            |
| 503  | WW02F00523 | PLACA MOTOR                    |
| 503  | WW02F00523 | PLACA MOTOR                    |
| 504  | WW02A00260 | ENS SOPORTE MOTOR Y TUERCA     |
| 506  | WW02F00537 | DUCTO DE ESCAPE                |
| 507  | WW02F00905 | ENS BRAZO TENSOR               |
| 508  | WW02F00897 | ENS BRAZO TENSOR               |
| 509  | WW02A00112 | SPRING IDLER                   |
| 510  | WW02F00904 | MOTOR Y POLEA ENS              |
| 513  | WW02F00871 | POLEA                          |
| 515  | WW02A00094 | NYLON WASHER                   |
| 516  | WW02A00001 | REVERSIBLE IDLER               |
| 520  | WW02F00031 | CLIP MOTOR                     |
| 532  | WW02A00232 | STRAP MOTOR                    |
| 534  | WW02F00785 | EMPAQUE ESCAPE VENTILADOR      |
| 540  | WW02L00537 | PLATO VENTILADOR               |
| 546  | WW02F00334 | TERMISTOR DE CONTROL DE SALIDA |
| 600  | WW02F00531 | ENSAMBLE TAMBOR                |
| 610  | WW02F00896 | BANDA                          |

Distribuidor Autorizado

**SurteRápido.com**

Venta de Refacciones  
Electrodomesticas

## SECADORA PTD70EBMT0DG

| Guía | Refacción  | Descripción                 |
|------|------------|-----------------------------|
| 617  | WW02L00021 | CUBIERTA CALENTADOR         |
| 619  | WW01A00442 | SOPORTE DE PROTECCION       |
| 620  | WW02L00421 | ALETA                       |
| 623  | WW02F00893 | ENS ARNES HIGH LIMIT        |
| 625  | WW03F00180 | CALENTADOR ENS              |
| 626  | WW02F00827 | DIFUSOR                     |
| 630  | WW02A00019 | ENS. SOPORTE BUJE           |
| 635  | WW03F00366 | MICA HEAT & HOUSING AS      |
| 637  | WW02A00005 | RETENEDOR RODAMIENTO        |
| 640  | WW02F00833 | SOPORTE TIERRA ENS          |
| 700  | WW02A00102 | SCREW CHASSIS TO FRONT HSG. |
| 707  | WW01A00539 | TORNILLO                    |
| 708  | WW01A00582 | TORNILLO                    |
| 732  | WW03A00092 | TORNILLO 6-16 B B1Q1 3/4    |
| 738  | WW02A00214 | ARANDELA CABEZA REDONDA     |
| 1039 | WW01A00644 | TUERCA POLEA                |
| 1103 | WW02A00032 | TORNILLO                    |
| 1116 | WW03A00004 | ARANDELA DENTADA            |
| 1120 | WW02A00031 | TORNILLO                    |
| 1121 | WW01A00001 | TORNILLO                    |
| 1127 | WW02A00211 | TORNILLO ESTANDARIZANTE     |
| 1134 | WW01F01797 | LENGUETA DE ATERRIZAJE      |
| 1151 | WW03A00063 | TORNILLO                    |
| 1157 | WW01A00456 | TORNILLO #10                |