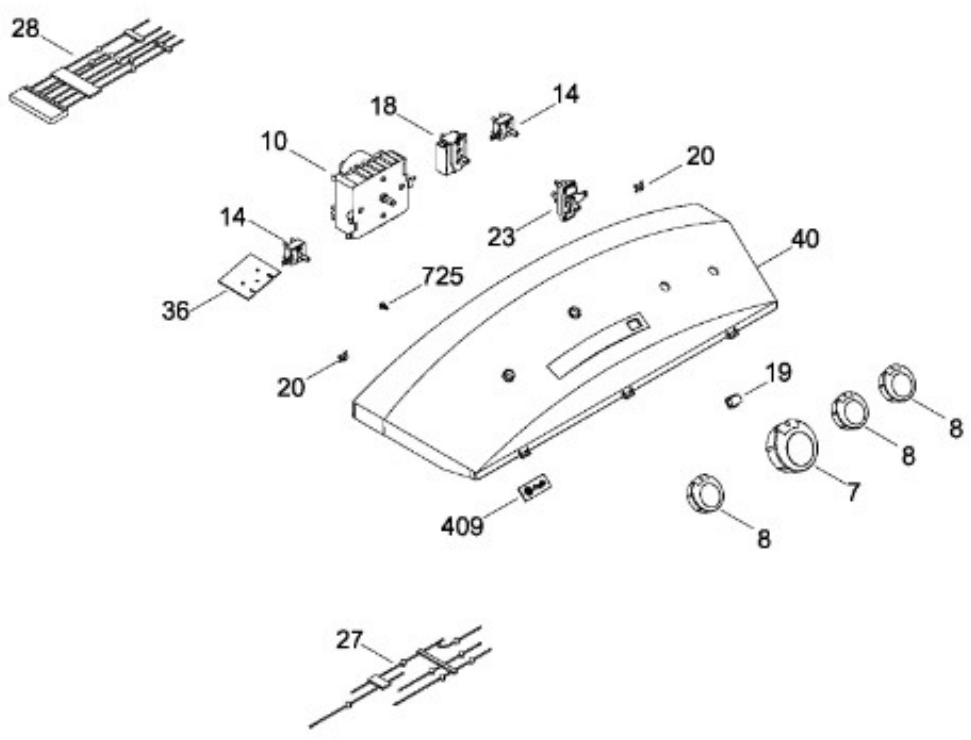




# SECADORA PTMN930EMWS0

SISTEMA CONTROLES

PTMN930EMWS0  
PTMP920EMWS0



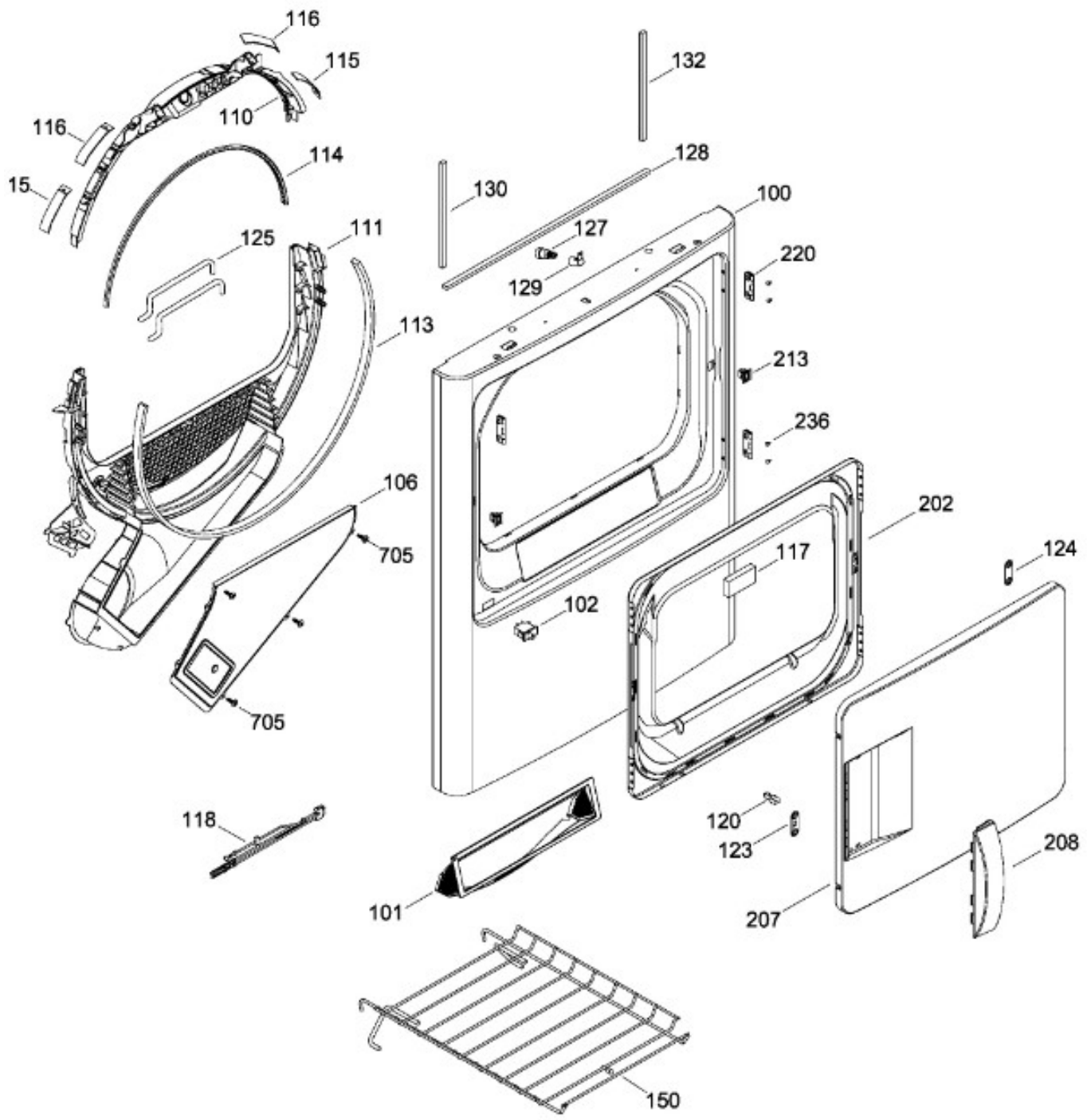
BENITO JUÁREZ #1500 GPE ZITON, CD. GUADALUPE NUEVO LEÓN TEL: 8183377999 Y 49  
 HORARIOS: LUNES A VIERNES 8:30 A 6:00 PM Y SÁBADOS DE 8:30 A 2:00 PM  
 WEB: [www.denek.com](http://www.denek.com)



# SECADORA PTMN930EMWS0

PUERTA (ENS)

PTMN930EMWS0  
PTMP920EMWS0



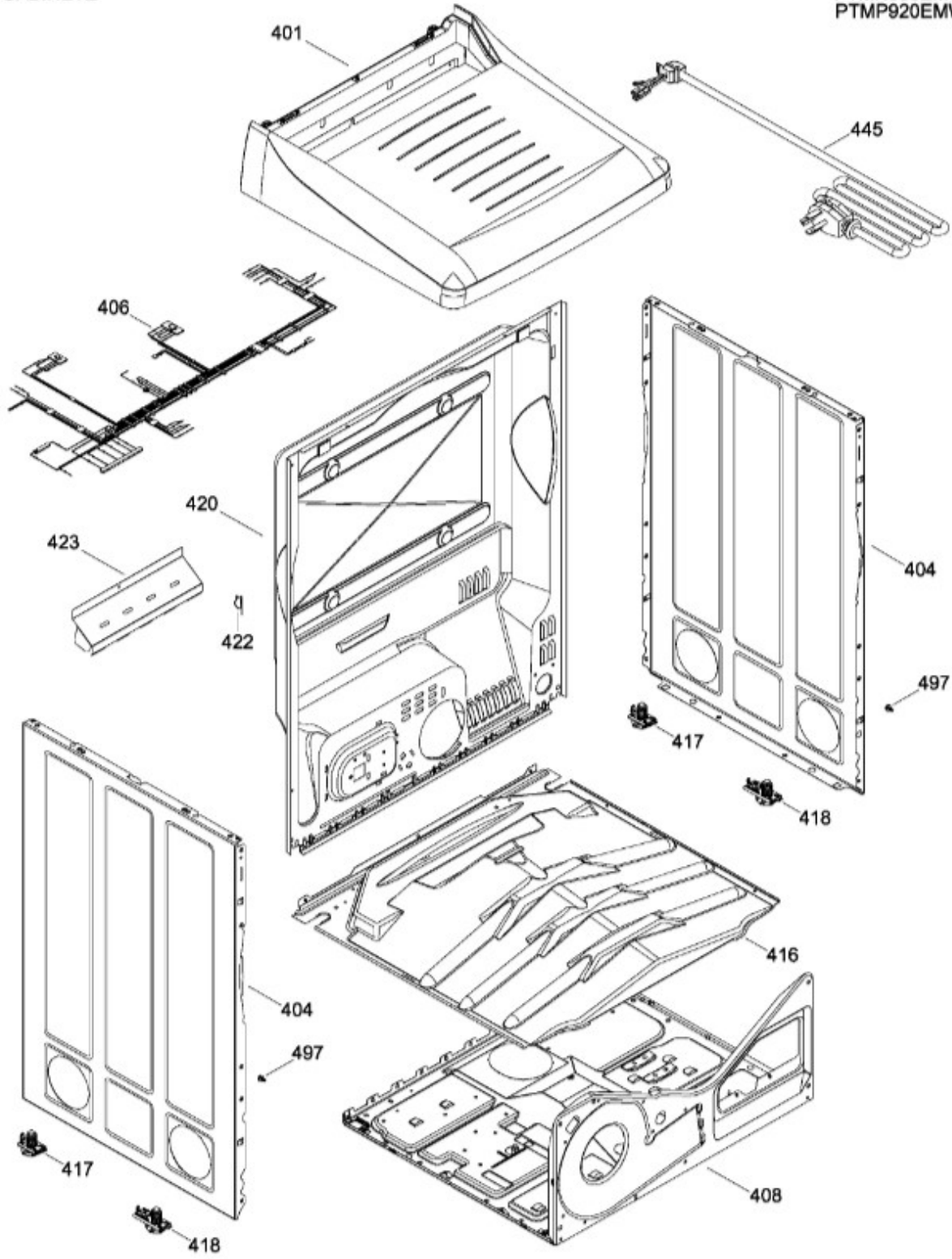
BENITO JUÁREZ #1500 GPE ZITON, CD. GUADALUPE NUEVO LEÓN TEL: 8183377999 Y 49  
HORARIOS: LUNES A VIERNES 8:30 A 6:00 PM Y SÁBADOS DE 8:30 A 2:00 PM  
WEB: [www.denek.com](http://www.denek.com)



# SECADORA PTMN930EMWS0

GABINETE

PTMN930EMWS0  
PTMP920EMWS0



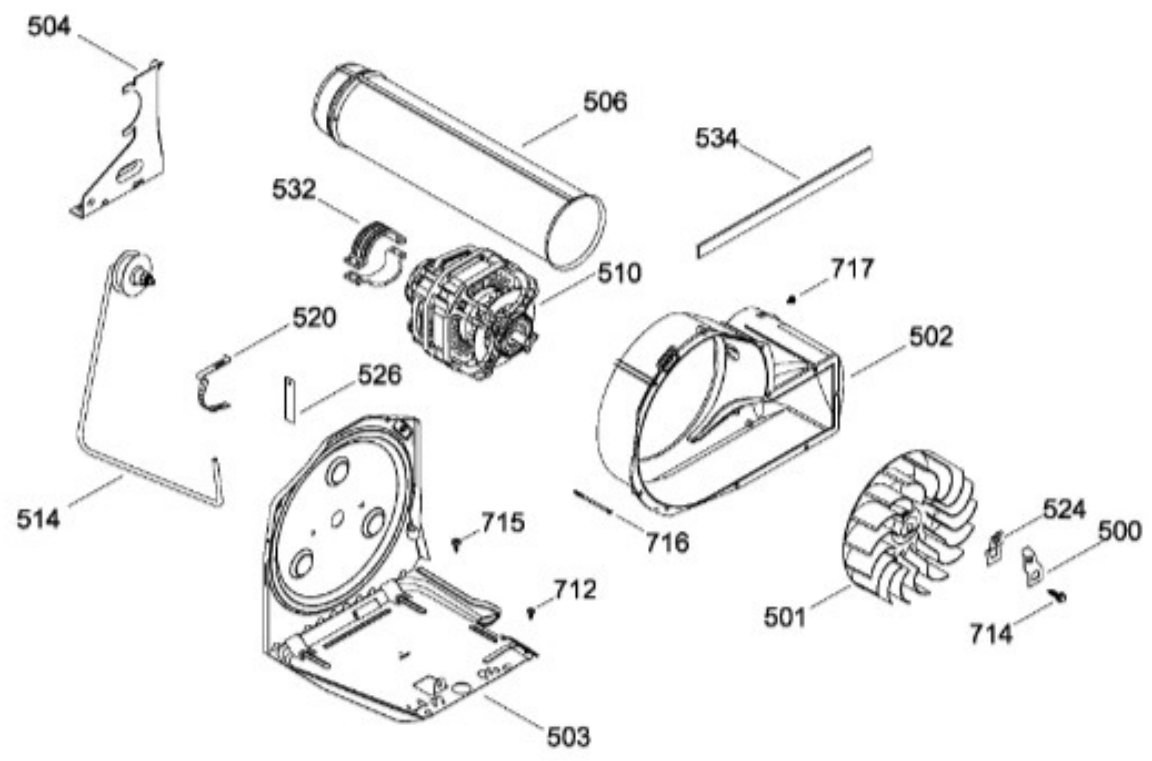
BENITO JUÁREZ #1500 GPE ZITON, CD. GUADALUPE NUEVO LEÓN TEL: 8183377999 Y 49  
HORARIOS: LUNES A VIERNES 8:30 A 6:00 PM Y SÁBADOS DE 8:30 A 2:00 PM  
WEB: [www.denek.com](http://www.denek.com)



# SECADORA PTMN930EMWS0

SISTEMA DE TRANSMISION / BLOWER & DRIVE ASSEMBLY

PTMN930EMWS0  
PTMP920EMWS0



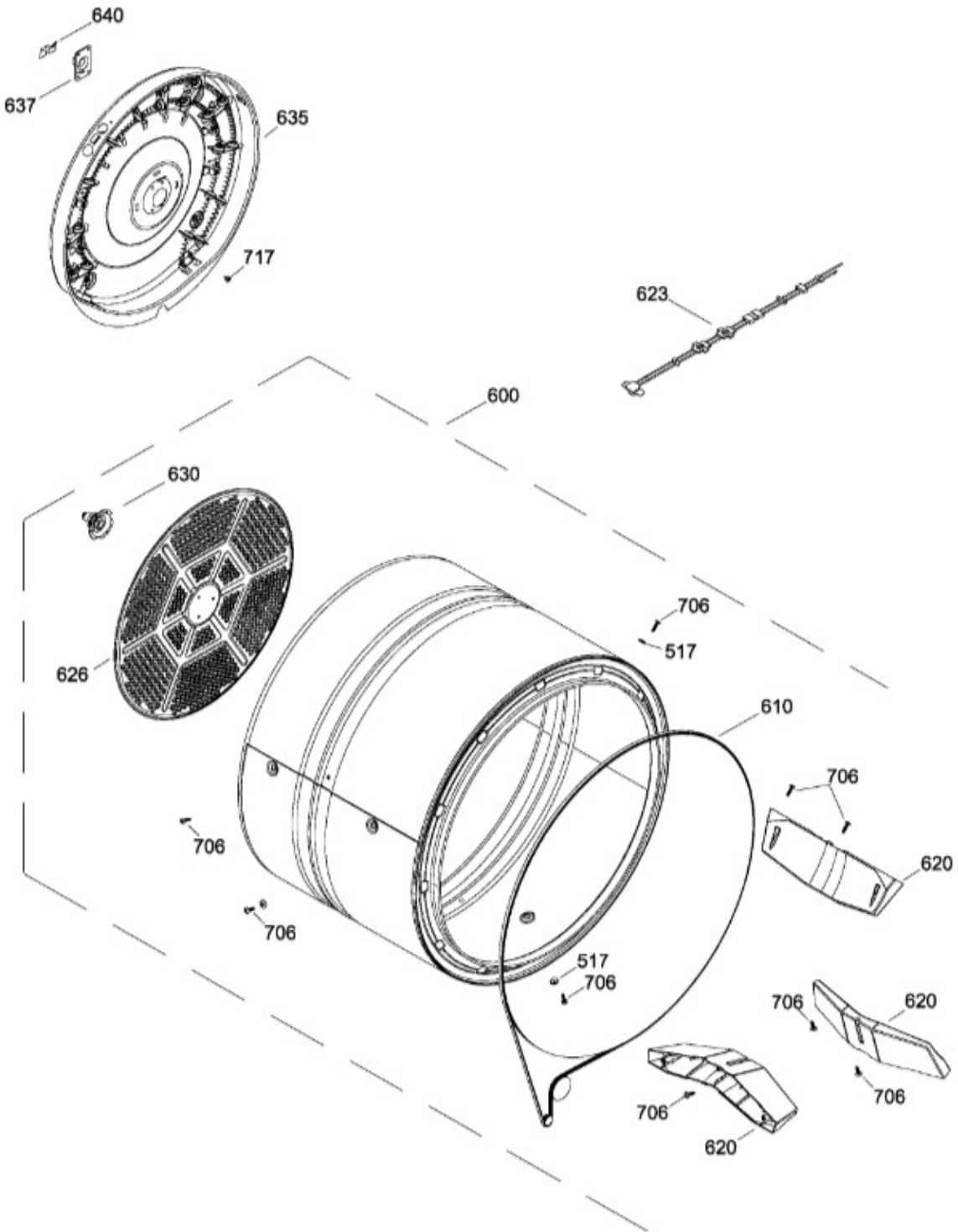
BENITO JUÁREZ #1500 GPE ZITON, CD. GUADALUPE NUEVO LEÓN TEL: 8183377999 Y 49  
HORARIOS: LUNES A VIERNES 8:30 A 6:00 PM Y SÁBADOS DE 8:30 A 2:00 PM  
WEB: [www.denek.com](http://www.denek.com)



# SECADORA PTMN930EMWS0

TAMBOR

PTMN930EMWS0  
PTMP920EMWS0



BENITO JUÁREZ #1500 GPE ZITON, CD. GUADALUPE NUEVO LEÓN TEL: 8183377999 Y 49  
HORARIOS: LUNES A VIERNES 8:30 A 6:00 PM Y SÁBADOS DE 8:30 A 2:00 PM  
WEB: [www.denek.com](http://www.denek.com)

| Guía | Refacción    | Descripción                 |
|------|--------------|-----------------------------|
| 7    | WW02L00129   | ENS. PERILLA CONTROL        |
| 8    | WW02L00133   | ENS. PERILLA ROTATORIA      |
| 10   | WW02F00174   | TIMER                       |
| 14   | WW02L00081   | INTERRUPTOR ROTATORIO       |
| 18   | WW02L00086   | INTERRUPTOR ROTATORIO       |
| 19   | 278B1020G001 | BOTON DE INICIO             |
| 20   | WW02L00137   | BUJE PARA PEILLA            |
| 23   | 248C1052P002 | INTERRUPTOR PTS             |
| 27   | WW02F00412   | ARNES PANEL CONTROL         |
| 28   | WW02F00189   | ARNES PCB                   |
| 36   | WW02F00092   | TARJETA PC                  |
| 40   | WW02L00344   | COPETE Y GRAFICOS ENS(GRIS) |
| 100  | WW02L00049   | PANEL FRONTAL               |
| 101  | WW03F00123   | FILTRO (BCO)                |
| 101  | WW02F00190   | FILTRO (BCO)                |
| 101  | WW02F00615   | FILTRO ATRAPAPELUSA         |
| 102  | WW02L00025   | INTERRUPTOR PUERTA          |
| 106  | WW02L00061   | CUBIERTA DUCTO              |
| 110  | WW02F00010   | COJINETE SUP.               |
| 110  | WW01L01430   | COJINETE SUP.               |
| 111  | WW02F00178   | TRAMPA CONDUCTO             |
| 111  | WW02L00103   | TRAMPA CONDUCTO             |
| 111  | WW02F00600   | DUCTO                       |
| 113  | WW02L00138   | FELPA DUCTO RECOLECTOR      |
| 114  | WW02L00145   | SELLO PUERTA                |
| 115  | WW02A00033   | BEARING_SLIDE               |
| 116  | WW02L00038   | BEARING_SLIDE               |
| 117  | WW02A00025   | ESPACIADOR DE PUERTA SOLIDA |
| 118  | WW02F00094   | ARNES SENS.OR               |
| 120  | WW02A00004   | STRIKE                      |
| 123  | WW02A00056   | STRIKE PLATE                |
| 124  | WW02A00057   | STRIKE PLATE                |
| 125  | WW02F00088   | SENSOR ROD                  |
| 127  | WW02A00067   | LAMP                        |
| 127  | WW03F00458   | LAMP                        |

| Guía | Refacción  | Descripción                   |
|------|------------|-------------------------------|
| 128  | WW02L00041 | SELLO                         |
| 129  | WW02L00104 | ENS. CLAVIJA                  |
| 129  | WW01F01584 | ENS. CLAVIJA                  |
| 130  | WW02L00042 | SELLO                         |
| 132  | WW02L00039 | SELLO                         |
| 132  | WW03F00354 | SELLO                         |
| 150  | WW02L00088 | SHOE RACK                     |
| 150  | WW02L00190 | SHOE RACK                     |
| 202  | WW02L00053 | INNER DOOR                    |
| 207  | WW02L00051 | PUERTA EXTERIOR               |
| 207  | WW02L00051 | PUERTA EXTERIOR               |
| 207  | WW02L00051 | PUERTA EXTERIOR               |
| 208  | WW02L00016 | JALADERA PUERTA(BCO)          |
| 213  | WW02L00037 | LATCH ASM.                    |
| 220  | WW02L00029 | BISAGRA                       |
| 220  | WW02L00028 | BISAGRA                       |
| 236  | WW02A00065 | BOTON BELLEZA                 |
| 401  | WW02A00043 | CUBIERTA SECADORA             |
| 401  | WW02A00043 | CUBIERTA SECADORA             |
| 401  | WW02A00043 | CUBIERTA PLASTICA             |
| 404  | WW02L00149 | PANEL LATERAL                 |
| 404  | WW02L00149 | PANEL LATERAL                 |
| 404  | WW02L00149 | PANEL LATERAL                 |
| 406  | WW02F00413 | ARNES ENSAMBLE ELECTRICO      |
| 408  | WW02F00076 | BASTIDOR BASE                 |
| 409  | WW01A00534 | LOGO MARCA GE PROFILE         |
| 416  | WW02A00045 | DEFLECTOR                     |
| 416  | WW02A00045 | DEFLECTOR                     |
| 416  | WW02A00045 | DEFLECTOR DE CALOR            |
| 417  | WW02A00059 | ENS. SOPORTE POST.            |
| 418  | WW02L00108 | ENS. SOPORTE FRONT.           |
| 420  | WW02L00146 | PANEL POST.                   |
| 422  | WW02F00022 | CORD SET RETAINER             |
| 423  | WW02L00107 | ESCUDO CALOR POST.            |
| 445  | WW03F00109 | CORDON TOMACORRIENTE(240V CA) |

| Guía | Refacción   | Descripción               |
|------|-------------|---------------------------|
| 500  | WW02A00040  | ABRAZADERA VENTILADOR     |
| 501  | WW02A00073  | VENTILADOR REDONDO        |
| 502  | WW02A00012  | CARCAZA ASPAS             |
| 502  | WW02L00013  | CARCAZA ASPAS             |
| 502  | WW02L00433  | CAJA DEL VENTILADOR       |
| 503  | WW01F01125  | BASE MOTOR                |
| 503  | WW01L01163  | BASE MOTOR                |
| 503  | WW01L01163  | BASE MOTOR                |
| 503  | WW02L00642  | BASE MOTOR                |
| 504  | WW02F00027  | SOPORTE MOTOR             |
| 506  | 572D559P006 | CONDUCTO DE ESCAPE        |
| 510  | WW02F00186  | ENS. MOTOR                |
| 510  | WW02A00191  | ENS. MOTOR                |
| 514  | WW02A00008  | ENS. BRAZO AUXILIAR       |
| 514  | WW03F00350  | ENS. BRAZO AUXILIAR       |
| 517  | WW02A00002  | ARANDELA                  |
| 520  | WW02F00031  | CLIP MOTOR                |
| 524  | WW02A00041  | ABRAZADERA VENTILADOR     |
| 526  | WW02L00033  | ESPACIADOR ESPUMADO       |
| 532  | WW02F00003  | CORREA MOTOR              |
| 532  | WW02A00232  | CORREA MOTOR              |
| 534  | WW02A00026  | EMPAQUE ESCAPE SOPLADOR   |
| 534  | WW02F00785  | EMPAQUE ESCAPE SOPLADOR   |
| 600  | WW02F00057  | ENS. TAMBOR               |
| 610  | WW02F00028  | BANDA SECADORA            |
| 610  | WW02F00854  | BANDA SECADORA            |
| 620  | WW02L00143  | BAFFLE                    |
| 623  | WW02F00191  | ARNES TERMOSTATO          |
| 626  | WW02F00030  | DIFUSOR                   |
| 630  | WW02A00019  | SOPORTE Y FLECHA ENSAMBLE |
| 635  | WW02A00049  | ENS. CALENTADOR           |
| 635  | WW02A00049  | ENS. CALENTADOR           |
| 637  | WW02A00005  | RETENEDOR RODAMIENTO      |
| 640  | WW02F00026  | GROUND STRAP ASM.         |
| 640  | WW01A00443  | GROUND STRAP ASM.         |



| Guía | Refacción  | Descripción           |
|------|------------|-----------------------|
| 640  | WW02F00833 | GROUND STRAP ASSEMBLY |
| 705  | WW02A00028 | TORNILLO              |
| 706  | WW02A00031 | TORNILLO              |
| 712  | WW02A00029 | TORNILLO              |
| 712  | WW02A00211 | TORNILLO              |
| 714  | WW02A00071 | TORNILLO              |
| 715  | WW02A00070 | TORNILLO              |
| 716  | WW02A00032 | TORNILLO              |
| 717  | WW02A00030 | TORNILLO              |
| 717  | WW02A00211 | TORNILLO              |
| 725  | WW02A00069 | SCREW                 |