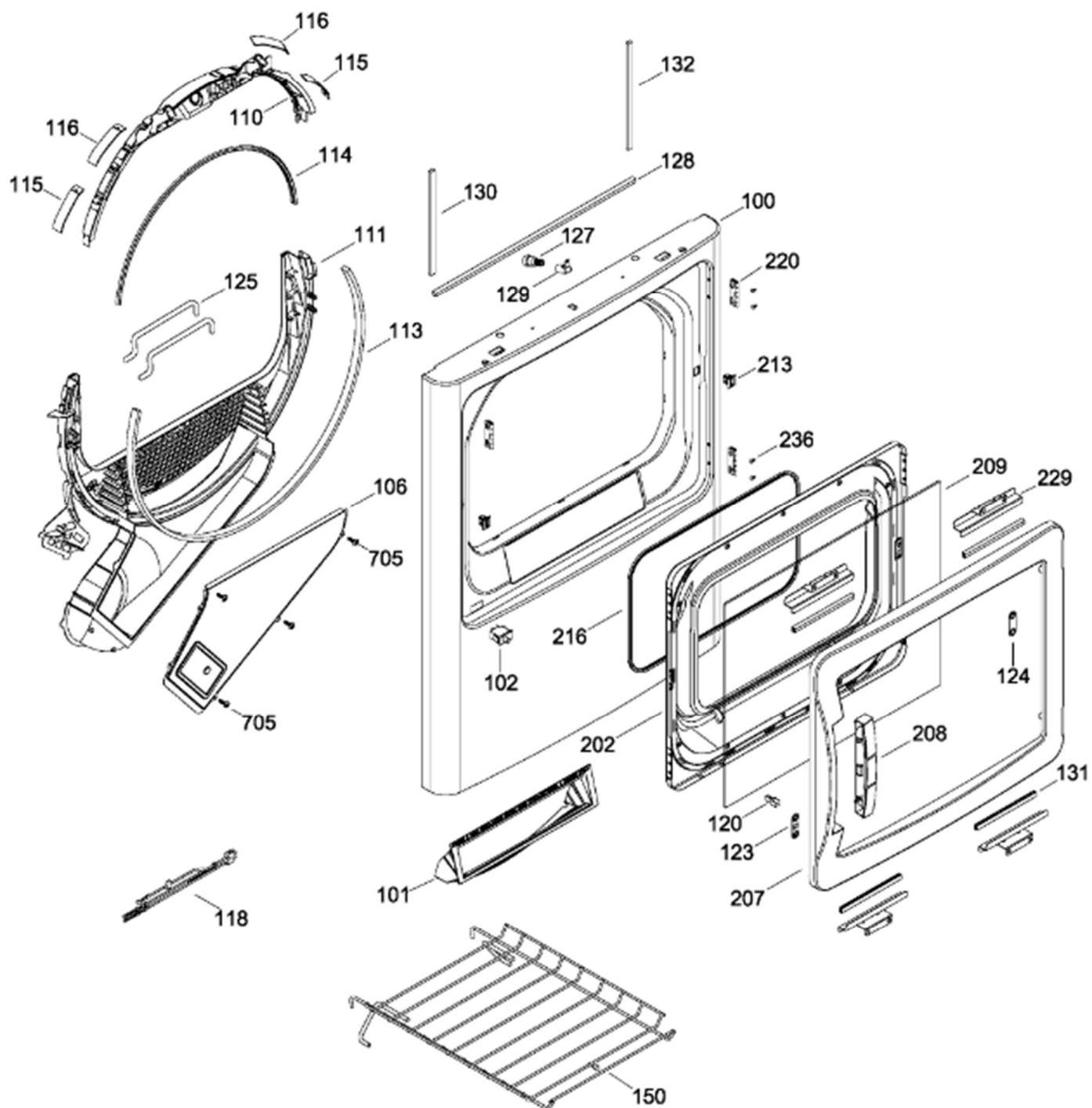


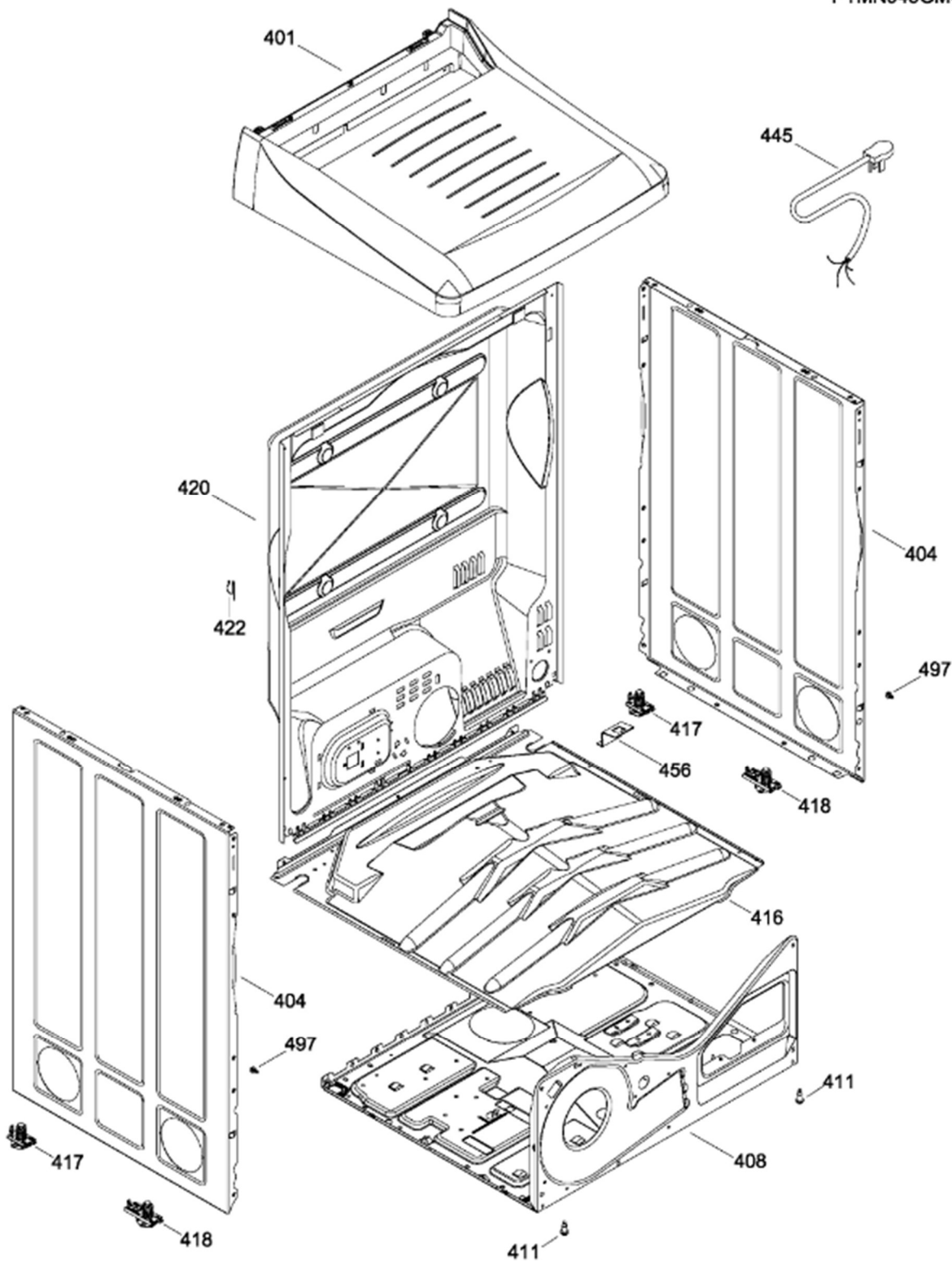
PUERTA (ENS)

PTMN940GMWS0
PTMN945GMGG0



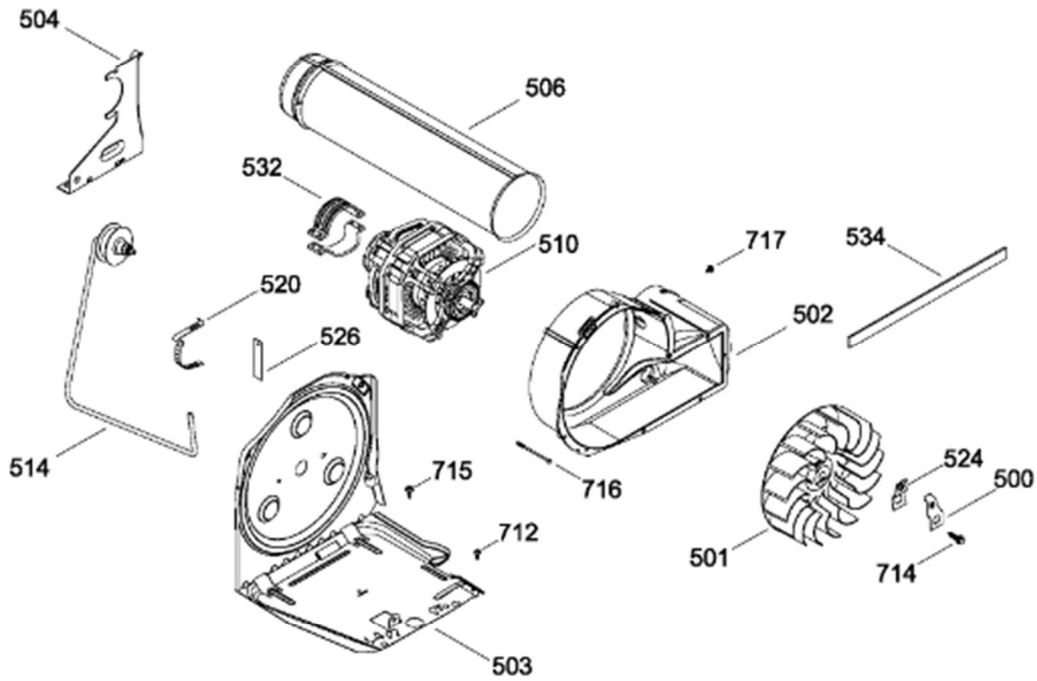
GABINETE

PTMN940GMWS0
PTMN945GMGG0

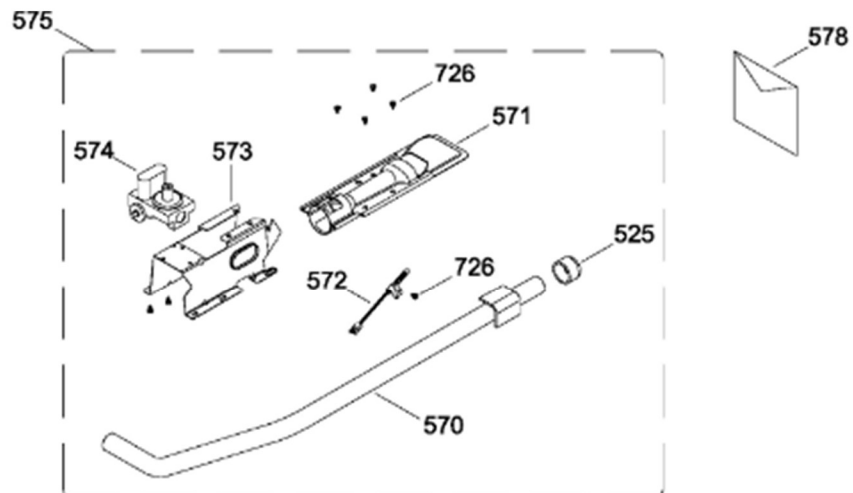


SISTEMA DE TRANSMISION / BLOWER & DRIVE ASSEMBLY

PTMN940GMWS0
PTMN945GMGG0

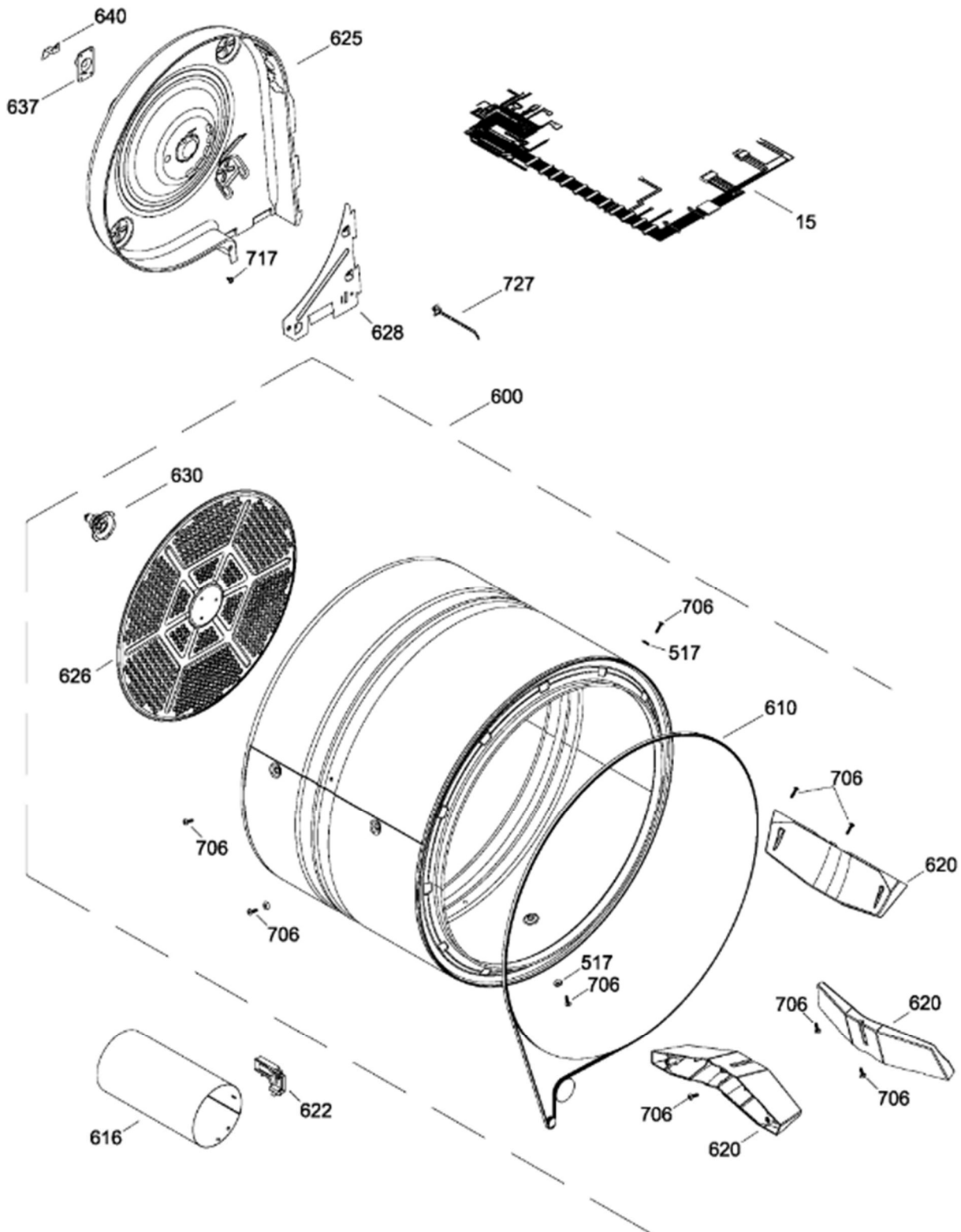


VALVE AND BURNER ASM



TAMBOR

PTMN940GMWS0
PTMN945GMGG0



| Guía | Refacción | Descripción |
|------|------------|--------------------------------|
| 7 | WW02F00385 | PERILLA CONTROL ENSAMBLE(SILVE |
| 8 | WW02L00350 | PERILLA ROTATORIA ENSAMBLE(SIL |
| 9 | WW02A00063 | GUIA LUZ |
| 11 | WW02F00087 | CUBIERTA DISPLAY |
| 15 | WW02F00043 | ENS. ARNES |
| 19 | WW02L00136 | BOTON INICIO |
| 20 | WW02L00137 | BUJE PARA PEILLA |
| 24 | WW02L00374 | CUBIERTA GUIA DE LUZ |
| 29 | WW02A00042 | JUMPER GAS |
| 31 | WW02F00034 | ENS. TARJETA CIRCUITO IMPRESO |
| 40 | WW02L00346 | COPETE Y GRAFICOS ENS(GRIS) |
| 100 | WW03L00098 | PANEL FRONTAL PUERTA(GRAFITO) |
| 100 | WW03L00098 | PANEL FRONTAL PUERTA(GRAFITO) |
| 101 | WW02L00080 | ENS. FILTRO MALLA |
| 101 | WW02F00616 | ENS. FILTRO MALLA |
| 102 | WW02L00025 | INTERRUPTOR PUERTA |
| 106 | WW02L00061 | CUBIERTA DUCTO |
| 110 | WW02F00010 | COJINETE SUP. |
| 110 | WW01L01430 | COJINETE SUP. |
| 111 | WW02F00178 | TRAMPA CONDUCTO |
| 111 | WW02L00103 | TRAMPA CONDUCTO |
| 111 | WW02F00600 | DUCTO |
| 113 | WW02L00138 | FELPA DUCTO RECOLECTOR |
| 114 | WW02L00145 | SELLO PUERTA |
| 115 | WW02A00033 | BEARING_SLIDE |
| 116 | WW02L00038 | BEARING_SLIDE |
| 118 | WW02F00094 | ARNES SENS.OR |
| 120 | WW02A00004 | STRIKE |
| 123 | WW02A00056 | STRIKE PLATE |
| 124 | WW02A00057 | STRIKE PLATE |
| 125 | WW02F00088 | SENSOR ROD |
| 127 | WW02A00067 | LAMP |
| 127 | WW03F00458 | LAMP |
| 128 | WW02L00041 | SELLO |
| 129 | WW02L00104 | ENS. CLAVIJA |

| Guía | Refacción | Descripción |
|------|------------|--------------------------|
| 129 | WW01F01584 | ENS. CLAVIJA |
| 130 | WW02L00042 | SELLO |
| 131 | WW02L00102 | RETAINER GASKET |
| 132 | WW02L00039 | SELLO |
| 132 | WW03F00354 | SELLO |
| 150 | WW02L00088 | SHOE RACK |
| 150 | WW02L00190 | SHOE RACK |
| 202 | WW02L00054 | INNER DOOR |
| 202 | WW02L00054 | INNER DOOR |
| 202 | WW02L00054 | PUERTA INTERIOR |
| 207 | WW02F00033 | ANILLO EXT. |
| 207 | WW01L01492 | ANILLO EXT. |
| 208 | WW02L00057 | JALADERA |
| 208 | WW01L01494 | JALADERA |
| 209 | WW02L00058 | PANEL VIDRIO |
| 213 | WW02L00037 | LATCH ASM. |
| 216 | WW02L00062 | SELLO VENTANA |
| 220 | WW02L00029 | BISAGRA |
| 220 | WW02L00028 | BISAGRA |
| 229 | WW02L00101 | SOPORTE VIDRIO |
| 229 | WW02L00101 | SOPORTE VIDRIO |
| 229 | WW02L00101 | SOPORTE VIDRIO |
| 236 | WW02A00066 | BOTON BELLEZA |
| 401 | WW02L00046 | CUBIERTA PLASTICA |
| 401 | WW01L01491 | CUBIERTA PLASTICA |
| 404 | WW03L00099 | LATERAL(GRAFITO) |
| 408 | WW02F00076 | BASTIDOR BASE |
| 409 | WW01A00534 | LOGO MARCA GE PROFILE |
| 411 | WW02L00142 | PATA ESTABILIZADORA ENS. |
| 416 | WW02A00045 | DEFLECTOR |
| 416 | WW02A00045 | DEFLECTOR |
| 416 | WW02A00045 | DEFLECTOR DE CALOR |
| 417 | WW02A00059 | ENS. SOPORTE POST. |
| 418 | WW02L00108 | ENS. SOPORTE FRONT. |
| 420 | WW02L00146 | PANEL POST. |

| Guía | Refacción | Descripción |
|------|-------------|--------------------------|
| 422 | WW02F00022 | CORD SET RETAINER |
| 445 | WW02F00091 | CABLE TOMACORRIENTE |
| 456 | WW02A00037 | BRIDE |
| 497 | WW01A00001 | TORNILLO |
| 500 | WW02A00040 | ABRAZADERA VENTILADOR |
| 501 | WW02A00073 | VENTILADOR REDONDO |
| 502 | WW02F00109 | BLOWER HOUSING |
| 502 | WW03L00150 | BLOWER HOUSING |
| 503 | WW01F01125 | BASE MOTOR |
| 503 | WW01L01163 | BASE MOTOR |
| 503 | WW01L01163 | BASE MOTOR |
| 503 | WW02L00642 | BASE MOTOR |
| 504 | WW02F00027 | SOPORTE MOTOR |
| 506 | 572D559P006 | CONDUCTO DE ESCAPE |
| 510 | WW02F00186 | ENS. MOTOR |
| 510 | WW02A00191 | ENS. MOTOR |
| 514 | WW02A00008 | ENS. BRAZO AUXILIAR |
| 514 | WW03F00350 | ENS. BRAZO AUXILIAR |
| 517 | WW02A00002 | ARANDELA |
| 520 | WW02F00031 | CLIP MOTOR |
| 524 | WW02A00041 | ABRAZADERA VENTILADOR |
| 525 | WW02A00003 | TAPA |
| 526 | WW02L00033 | ESPACIADOR ESPUMADO |
| 532 | WW02F00003 | CORREA MOTOR |
| 532 | WW02A00232 | CORREA MOTOR |
| 534 | WW02A00026 | EMPAQUE ESCAPE SOPLADOR |
| 534 | WW02F00785 | EMPAQUE ESCAPE SOPLADOR |
| 570 | WW02A00058 | PIPE & LUG ASM. |
| 570 | WW03F00137 | PIPE & LUG ASM. |
| 571 | WW02A00020 | QUEMADORES |
| 572 | WW02F00002 | ALLUME-GAZ |
| 572 | WW02F00740 | ALLUME-GAZ |
| 572 | WW01F01432 | ENCENDEDOR INCANDESCENTE |
| 573 | WW02F00077 | GAS VALVE BRACKET |
| 573 | WW03A00125 | GAS VALVE BRACKET |

| Guía | Refacción | Descripción |
|------|------------|----------------------------|
| 574 | WW02F00099 | VALVE GAS |
| 575 | WW02F00079 | VALVULA Y QUEMADOR ENS |
| 578 | WW01F01529 | VALVULA Y TUBO PARA GAS LP |
| 600 | WW02F00057 | ENS. TAMBOR |
| 610 | WW02F00028 | BANDA SECADORA |
| 610 | WW02F00854 | BANDA SECADORA |
| 616 | WW03F00345 | TUBO DE COMBUSTION |
| 620 | WW02L00143 | BAFFLE |
| 622 | WW02F00001 | DETECTOR TERMOSTATO |
| 625 | WW02L00014 | DIFUSOR GAS |
| 625 | WW03F00095 | DIFUSOR GAS |
| 626 | WW02F00030 | DIFUSOR |
| 628 | WW02F00029 | DIFUSSER PLATE |
| 630 | WW02A00019 | SOPORTE Y FLECHA ENSAMBLE |
| 637 | WW02A00005 | RETENEDOR RODAMIENTO |
| 640 | WW02F00026 | GROUND STRAP ASM. |
| 640 | WW01A00443 | GROUND STRAP ASM. |
| 640 | WW02F00833 | GROUND STRAP ASSEMBLY |
| 705 | WW02A00028 | TORNILLO |
| 706 | WW02A00031 | TORNILLO |
| 712 | WW02A00029 | TORNILLO |
| 712 | WW02A00211 | TORNILLO |
| 714 | WW02A00071 | TORNILLO |
| 715 | WW02A00070 | TORNILLO |
| 716 | WW02A00032 | TORNILLO |
| 717 | WW02A00030 | TORNILLO |
| 717 | WW02A00211 | TORNILLO |
| 726 | WW02A00027 | SCREW |
| 727 | WW02A00061 | TIE WRAP ARNESS |
| 727 | WW02F00402 | TIE WRAP ARNESS |