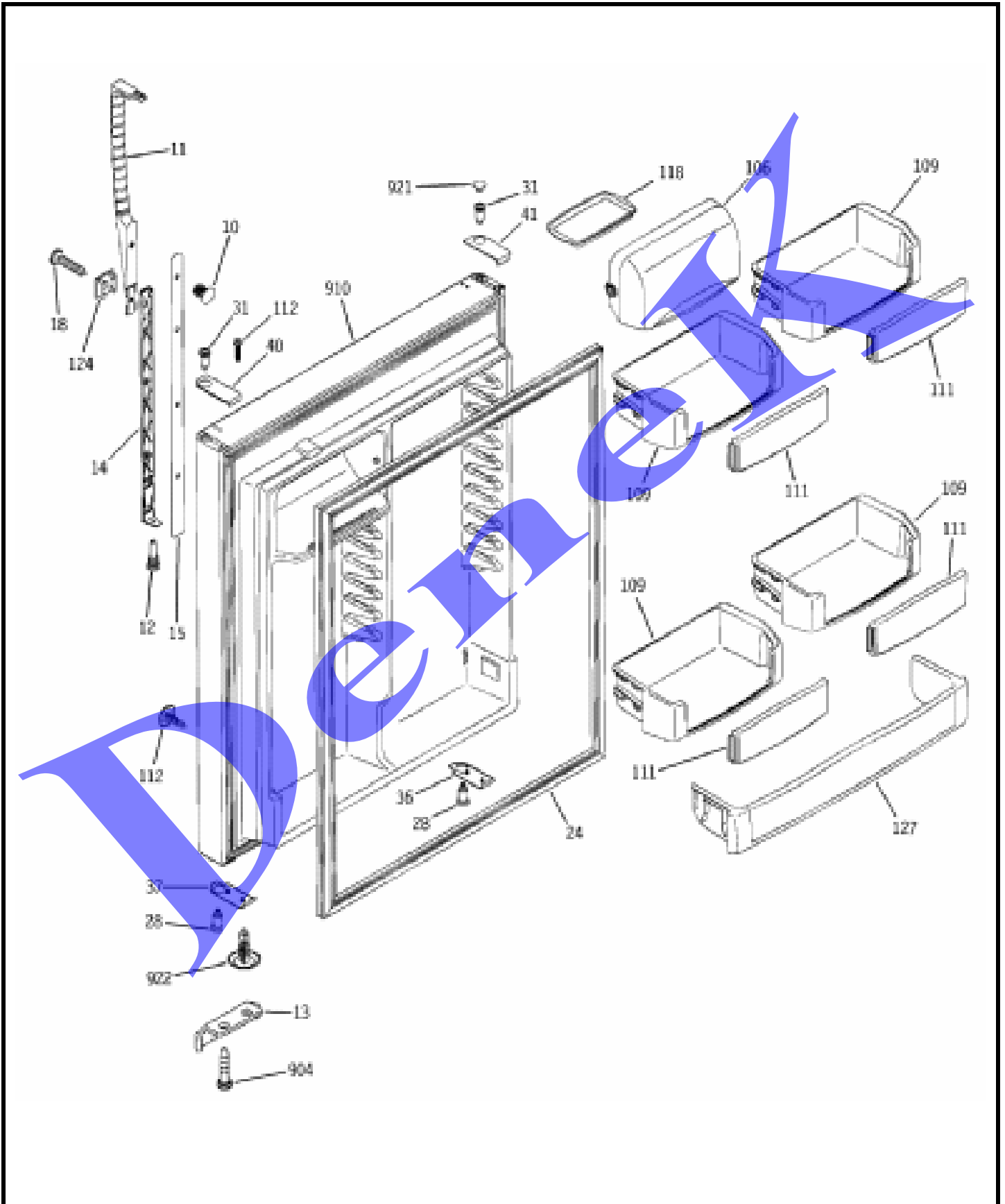


GENERAL ELECTRIC PTS22SBMARBS

10937101

1	49-60103	PM GUIDE OWNERS
1	31-51355	PM MINI MANUAL WIRING
2	WR12X10482	PK HANDLE LARGE ASM BK
2	WR12X10486	PK HANDLE LARGE ASM BQ
2	WR12X10472	PK HANDLE LARGE ASM WH
5	WR12X10470	TRIM HANDLE FZ
7	WR12X10481	HANDLE DOOR FZ ASM BK
7	WR12X10485	HANDLE DOOR FZ ASM BQ
7	WR12X10471	HANDLE DOOR FZ ASM WH
10	WR01X2084	SCREW
13	WR02X10930	STOP DOOR FF/FZ BK
13	WR01X10249	STOP DOOR FF/FZ BQ
13	WR01X10248	STOP DOOR FF/FZ WH
18	WR01X1726	SCR 10-16AB FWR 3/4 SS
23	WR24X10079	GASKET FZ BK
23	WR24X10076	GASKET LTM FZ DOOR WH
28	WR02X10896	THIMBLE DOOR BTM WH
28	WR02X10931	THIMBLE DOOR PLASTIC BK
28	WR02X10905	THIMBLE DOOR PLASTIC BQ
31	WR02X10906	THIMBLE DOOR PLASTIC BQ
31	WR02X10895	THIMBLE DOOR TOP WH
31	WR02X10932	THIMBLE DOOR PLASTIC BK
36	WR02X10929	CAP DOOR BOTTOM BK
36	WR02X10870	CAP DOOR BOTTOM WH
36	WR02X10904	CAP DOOR BOTTOM BQ
37	WR02X10869	CAP DOOR BOTTOM WH
37	WR02X10903	CAP DOOR BOTTOM BQ
37	WR02X10928	CAP DOOR BOTTOM BK
38	WR02X10868	CAP CORNER TOP WH
38	WR02X10927	CAP CORNER TOP BK
38	WR02X10902	CAP CORNER TOP BQ
39	WR02X10867	CAP CORNER TOP WH
39	WR02X10901	CAP CORNER TOP BQ
39	WR02X10926	CAP CORNER TOP BK
96	WR17X10977	END CAP
98	WR17X10978	END CAP TILT ASM
104	WR04X10080	LENS NAMEPLATE WH
104	WR04X10086	NAMEPLATE REF BK
104	WR04X10087	NAMEPLATE REF BQ
104	WR04X10103	NAMEPLATE REFRIG BK
109	WR71X10317	MODULE SHELF FF
110	WR71X10318	MOD SHELF FIXED ASM FZ
111	WR71X10319	MODULE SHELF INSERT
112	WR02X8701	PLUG DOOR RVSBL BK
112	WR02X10459	PLUG DOOR RVSBL BQ
112	WR02X8693	PLUG DOOR RVSBL WH
113	WR71X10320	MOD TILT AND INSERT FZ

900 WR78X10546 DOOR FOAM ASM FZ 22 SS
900 WR78X10491 DOOR FOAM ASM FZ BK
900 WR78X10487 DOOR FOAM ASM FZ BQ
900 WR78X10485 DOOR FOAM ASM FZ WH
904 WR01X2134 SCR 10-32 PNT 1.0 S LW
921 WR02X10934 PLUG BUTTON THIMBLE BK
921 WR02X10908 PLUG BUTTON THIMBLE BQ
921 WR02X10886 PLUG BUTTON THIMBLE WH
922 WR02X10975 PLUG BUTTON WH
922 WR02X10976 PLUG BUTTON BK
922 WR02X10977 PLUG BUTTON BQ

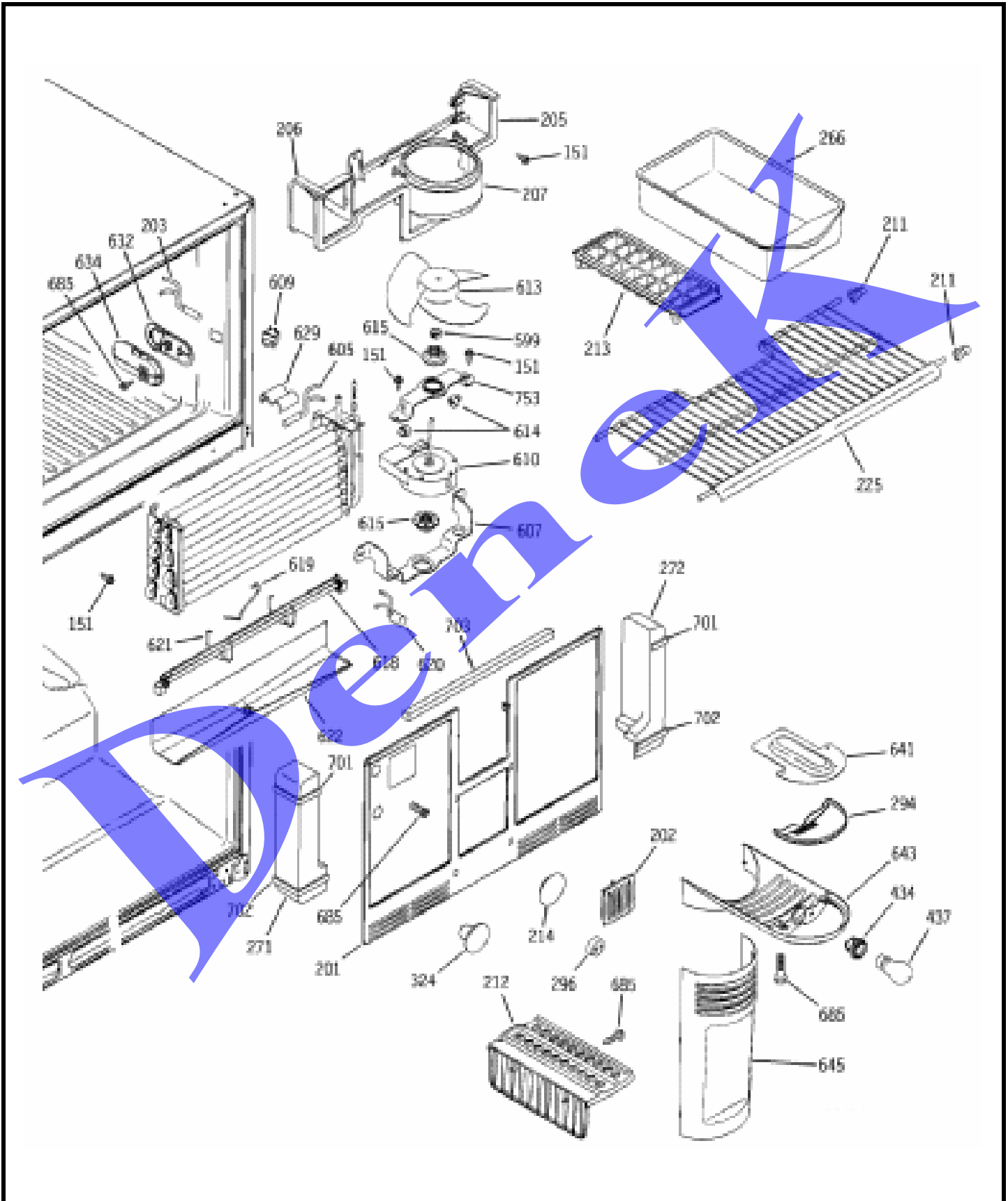


GENERAL ELECTRIC PTS22SBMARBS

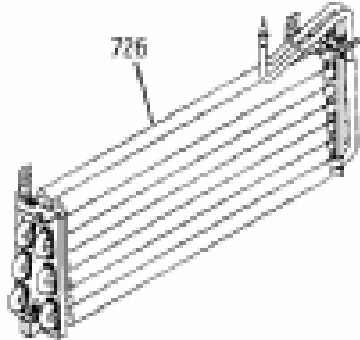
10937102

10	WR01X2084	SCREW
11	WR12X10480	HANDLE DOOR ASM FF BK
11	WR12X10484	HANDLE DOOR ASM FF BQ
11	WR12X10173	HANDLE DOOR ASM FF WH
12	WR01X10036	SCR 10-14 PL PNP 3/4 SZN
13	WR02X10930	STOP DOOR FF/FZ BK
13	WR01X10249	STOP DOOR FF/FZ BQ
13	WR01X10248	STOP DOOR FF/FZ WH
14	WR12X10473	TAIL & BRACKET ASM
14	WR12X10483	TAIL & BRACKET ASM
14	WR12X10487	TAIL & BRACKET ASM FF
15	WR12X10474	TRIM HANDLE FF
18	WR01X1726	SCR 10-16AB FWR 3/4 SS
24	WR24X10080	GASKET LTM FF DOOR BK
24	WR24X10077	GASKET LTM FF DOOR WH
28	WR02X10905	THIMBLE DOOR PLASTIC BQ
28	WR02X10896	THIMBLE DOOR BTM WH
28	WR02X10931	THIMBLE DOOR PLASTIC BK
31	WR02X10932	THIMBLE DOOR PLASTIC BK
31	WR02X10906	THIMBLE DOOR PLASTIC BQ
31	WR02X10895	THIMBLE DOOR TOP WH
36	WR02X10929	CAP DOOR BOTTOM BK
36	WR02X10904	CAP DOOR BOTTOM BQ
36	WR02X10870	CAP DOOR BOTTOM WH
37	WR02X10869	CAP DOOR BOTTOM WH
37	WR02X10903	CAP DOOR BOTTOM BQ
37	WR02X10928	CAP DOOR BOTTOM BK
40	WR02X10866	CAP CORNER TOP WH
40	WR02X10925	CAP CORNER TOP BK
40	WR02X10900	CAP CORNER TOP BQ
41	WR02X10865	CAP CORNER TOP WH
41	WR02X10899	CAP CORNER TOP BQ
41	WR02X10924	CAP CORNER TOP BK
106	WR22X10028	DOOR DAIRY CLEAR 22
109	WR71X10317	MODULE SHELF FF
111	WR71X10319	MODULE SHELF INSERT
112	WR02X8701	PLUG DOOR RVSBL BK
112	WR02X10459	PLUG DOOR RVSBL BQ
112	WR02X8693	PLUG DOOR RVSBL WH
118	WR19X10002	DISH BUTTER
124	WR12X10183	PLUG BUTTON HANDLE BK
124	WR12X10321	PLUG BUTTON HANDLE BQ
124	WR12X10175	PLUG BUTTON HANDLE WH
127	WR71X10316	MODULE SHELF FIXED FF
904	WR01X2134	SCR 10-32 PNT 1.0 S LW
910	WR78X10545	DOOR FOAM ASM FF 22 SS
910	WR78X10492	DOOR FOAM ASM FF BK

910 WR78X10488 DOOR FOAM ASM FF BQ
910 WR78X10484 DOOR FOAM ASM FF WH
921 WR02X10934 PLUG BUTTON THIMBLE BK
921 WR02X10908 PLUG BUTTON THIMBLE BQ
921 WR02X10886 PLUG BUTTON THIMBLE WH
922 WR02X10975 PLUG BUTTON WH
922 WR02X10976 PLUG BUTTON BK
922 WR02X10977 PLUG BUTTON BQ



151	WR01X1554	SCR 8-18 AB IHXW 1/2 S
201	WR17X10968	COVER EVAP ASM
202	WR72X10071	GRILLE ICE SERVICE
203	WR55X10088	SENSOR TEMPERATURE
205	WR14X10124	FOAM STRIP SE ADH
206	WR14X10123	FOAM STRIP SE ADH
207	WR17X10979	FAN EVAP HOUSING
211	WR02X7973	SUPPORT SHELF
212	WR30X10025	SHELF ICE TRAY TOP
213	WR30X10026	TRAY ICE
214	WR02X7148	PLUG BUTTON
225	WR71X10311	SHELF WIRE & TRIM ASM FZ
266	WR30X10027	BUCKET ICE
271	WR02X11181	EVAP EPS BLOCK
272	WR02X11182	EVAP EPS BLOCK
294	WR02X11180	LENS FZ LIGHT
296	WR02X10693	PLUG COVER AND GSKT ASM
324	WR02X7051	PLUG BUTTON SM WH
434	WR02X10732	SOCKET LAMP FZ
437	60A	LAMP 60W APPL
599	WR02X10509	RING COMPRESSION
605	WR55X10089	SENSOR TEMPERATURE
607	WR02X10876	BRACKET EVAP FAN
609	WR23X10143	SWITCHLIGHT
610	WR60X10083	MOTOR DC EVAP FAN
613	WR60X10055	BLADE EVAP FAN ASM
614	WR02X10540	BUMPER LID
615	WR02X10519	GROMMET EVAP FAN
618	WR51X10038	HEATER DEF ASM
619	WR51X10052	HEATER CONDUCTION
620	WR50X10015	THERMOSTAT DEFROST
621	WR02X10518	HOLDER ELEMENT
622	WR17X10988	TROUGH DRAIN ASM
629	WR02X10879	CLIP EVAP THERMISTOR
632	WR02X10863	BASE SENSOR
634	WR02X10872	COVER SENSOR
641	WR02X10887	REFLECTOR FZ LIGHT
643	WR17X11171	INSET AIR FZ
645	WR17X10987	TOWER AIR FZ ASM
685	WR01X1804	SCR 8-18 AB HXW 3/4 WH
701	WR14X10125	FOAM STRIP SE ADH
702	WR14X10126	FOAM STRIP SE ADH
703	WR14X10127	FOAM STRIP SE ADH
753	WR02X10764	BRACKET EVAP FAN BTM

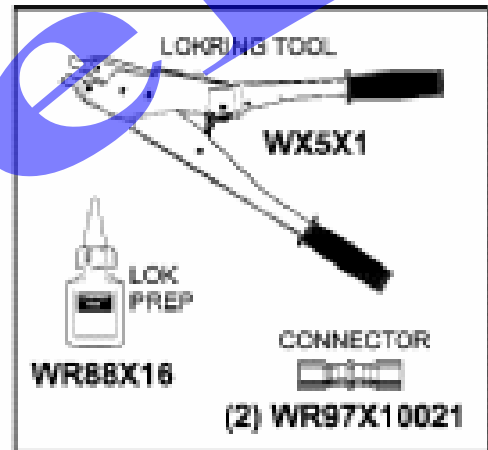


The two methods below are approved for installing the evaporator in the refrigerator. Always add a new filter drier when servicing the sealed system. Follow each step of the instructions included with the evaporator.

LOCKRING® METHOD

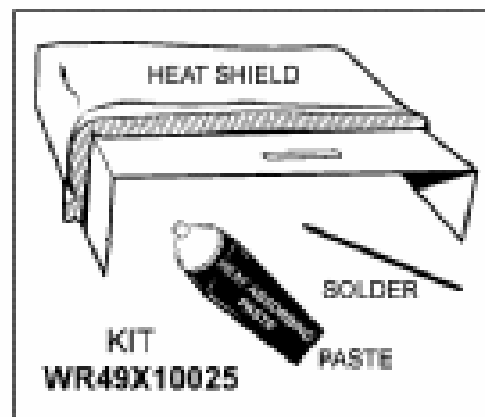
LokRing® is a method of installing the evaporator in the refrigerator without the use of heat. Apply a few drops of LokPrep, a special anaerobic solution to the ends of the tubing and using a LokRing® connector and tool, join the tubes by compression. The parts shown at right are required for the LokRing® method of replacing the above evaporator.

For additional information on how to use LokRing®, call 1-800-848-7722 and order publication 31-9037.



HEAT SHIELD METHOD

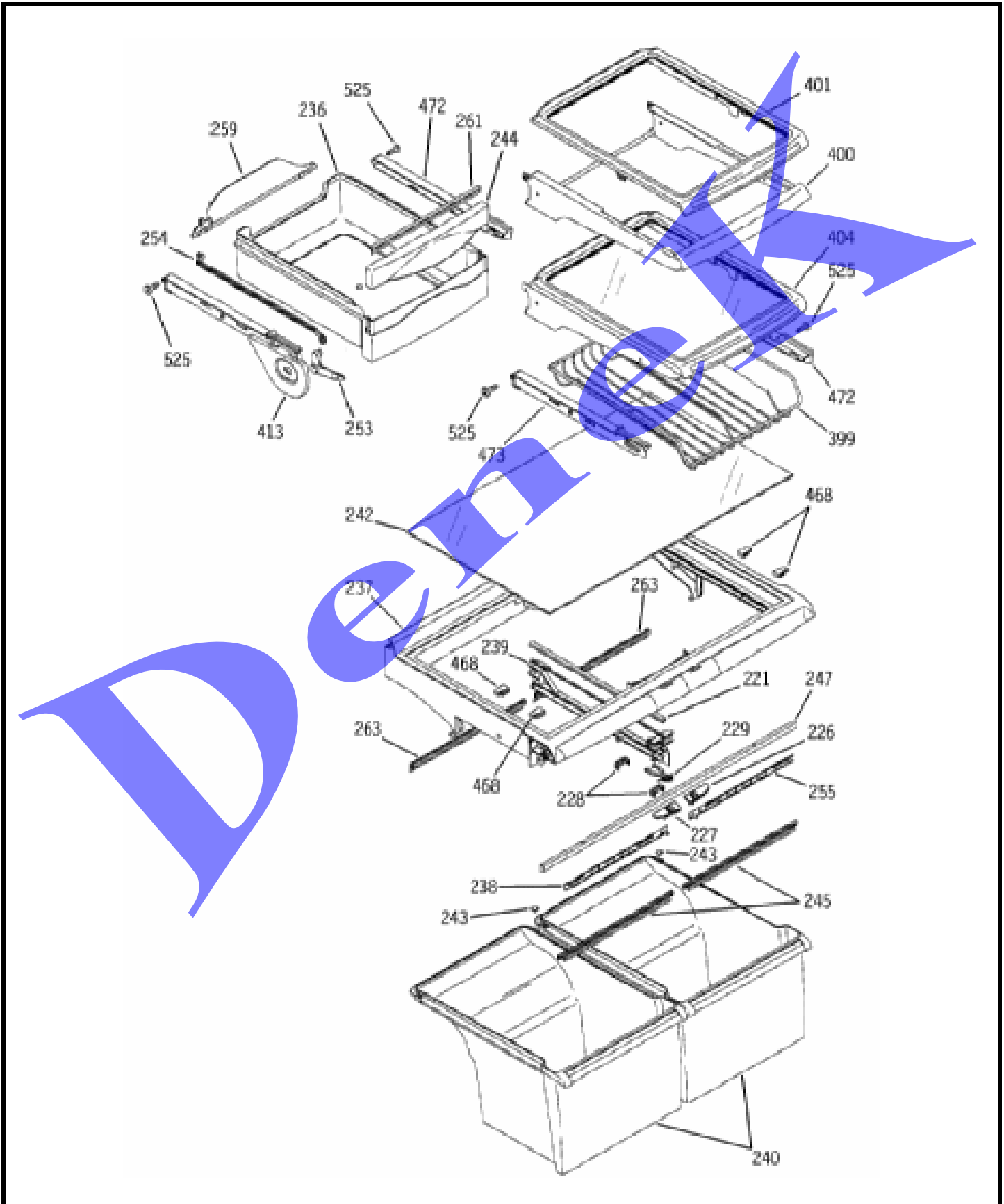
The heat shield is used to prevent damage to the refrigerator liner when brazing the evaporator into the sealed system. Refer to the instructions included in the heat shield kit. The kit comes enough heat absorbing paste, solder and tape to complete four repairs. The kit WR49X10025 shown at right is required for using the heat shield on the above evaporator.



GENERAL ELECTRIC PTS22SBMARBS

10937105

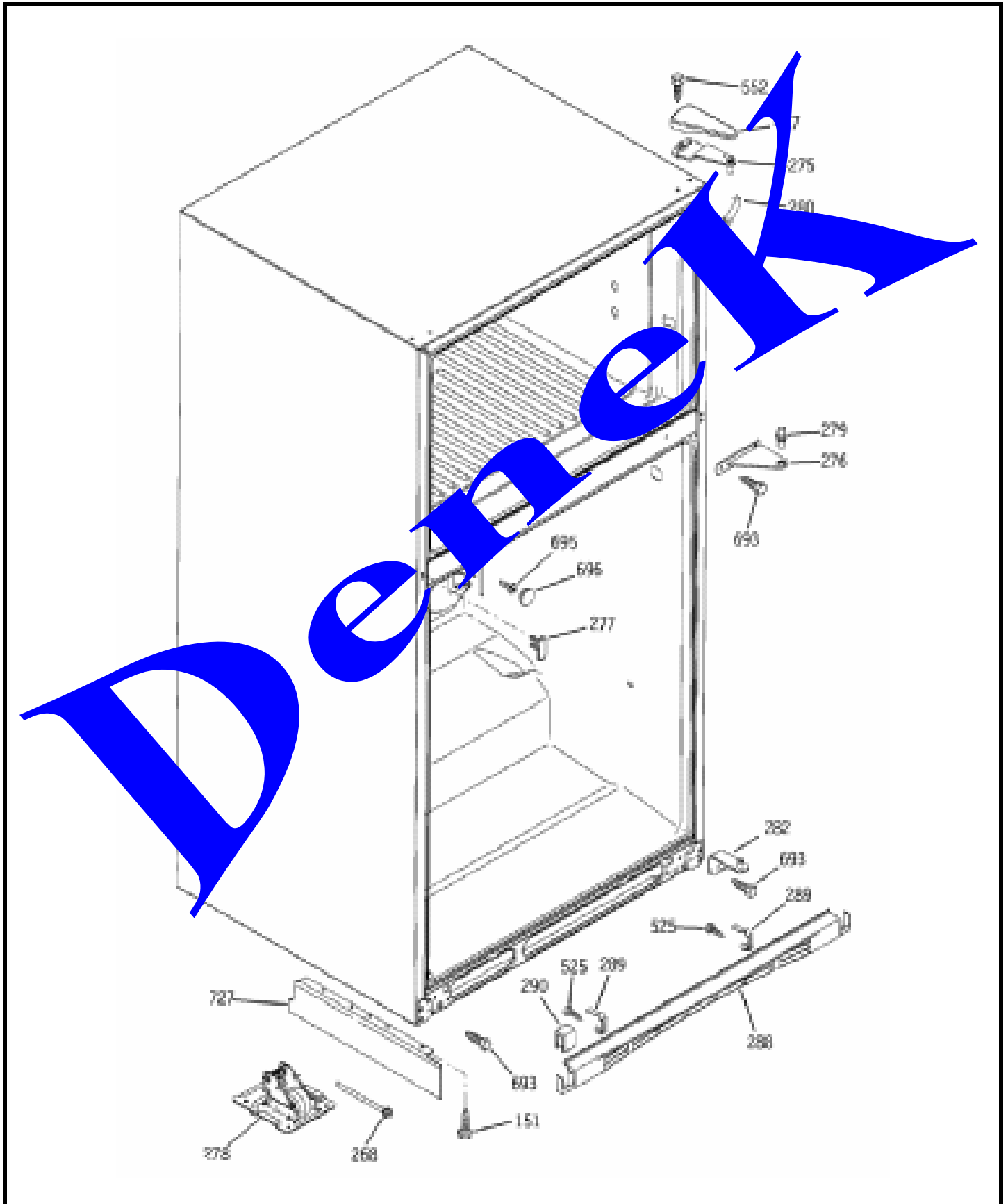
230	WR02X10892	SPACER TRACK
232	WR72X10076	TRACK SIDE FF
233	WR72X10074	TRACK CENTER FF
249	WR02X10894	SUPPORT TWIST VP CVR
308	WR02X10889	SHIELD FF LIGHT
318	WR23X10212	HARNESS CUST INTERFACE
323	WR02X10888	SHIELD FF LIGHT
424	WR55X10085	BOARD ASM TEMP CONTROL
433	WR02X9391	SOCKET & TERMINAL ASM
437	60A	LAMP 60W APPL
570	WR01X1757	SCR 8-18 HXW 1 1/4S
608	WR01X10246	SCR AB 8-18 1 1/4 HXW W
623	WR17X10967	COVER DUCT FF
624	WR17X10994	ELECTRONIC CONTROL H.
625	WR04X10097	MEMBRANE SETPOINT CONTRO
630	WR01X10245	SCR 8-18 AB HXWP 2.500
632	WR02X10863	BASE SENSOR
634	WR02X10872	COVER SENSOR
635	WR55X10087	SENSOR TEMPERATURE
636	WR02X10875	DUCT FF LID
638	WR02X10874	DUCT FF
660	WR23X10244	SWITCH LIGHT FF
685	WR01X1804	SCR 8-18 AB HXW 3/4 WH



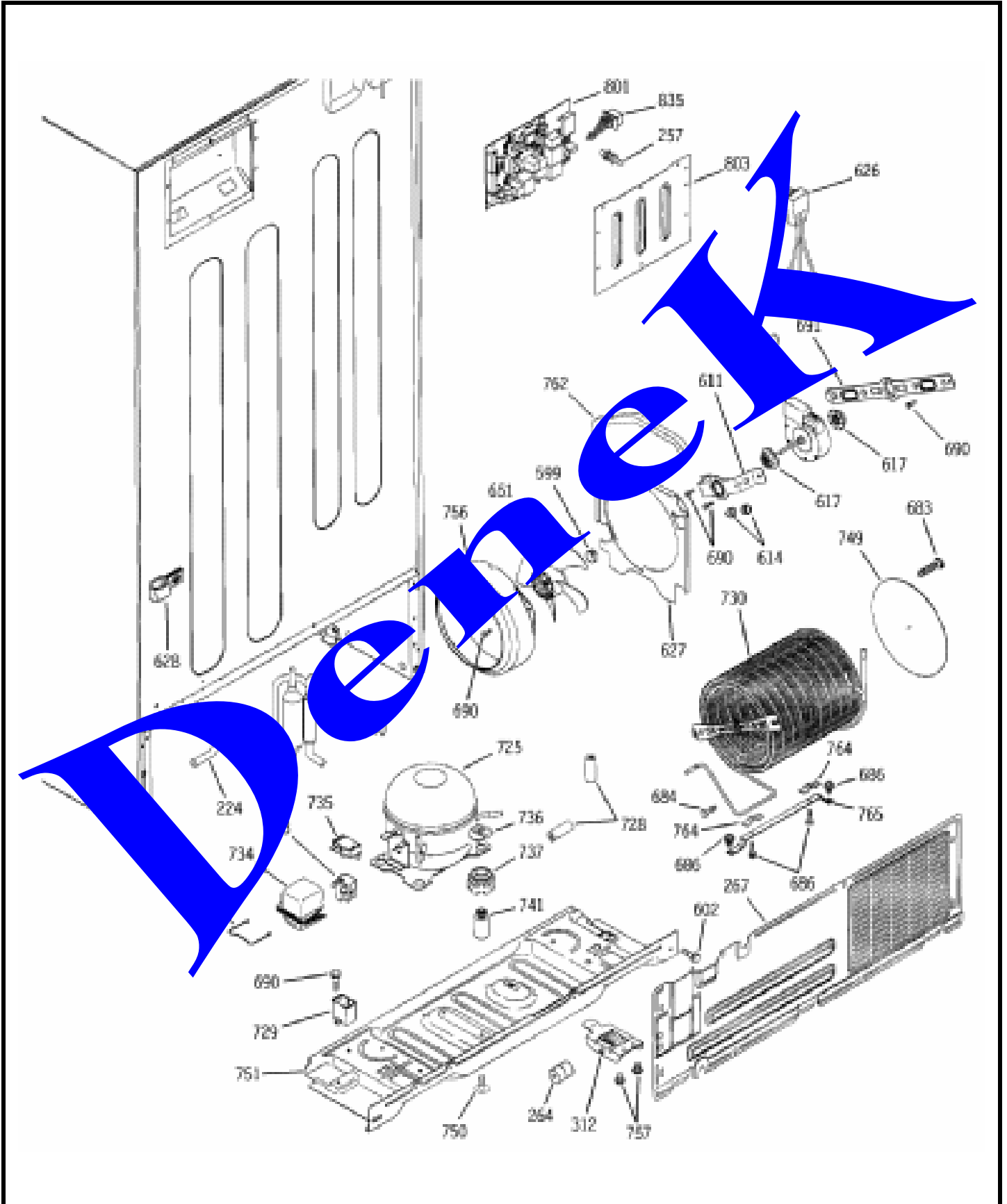
GENERAL ELECTRIC PTS22SBMARBS

10937106

221	WR14X10107	GASKET CENTER VP
226	WR17X10986	SLIDE CONTROL VP
227	WR17X10985	SLIDE CONTROL VP
228	WR02X10980	BEARING SLIDE CENTER
229	WR02X10982	LATCH SLIDE CENTER
236	WR32X10223	PAN DELI
237	WR17X10970	FRAME COVER VP
238	WR17X10970	DAMPER VP
239	WR17X10976	SLIDE ASM CENTER
240	WR32X10223	PAN ASM VEG
242	WR32X10222	SHELF CANT GLASS
243	WR02X10980	SLIDE BEARING PAN
244	WR17X10995	HANDLE PAN DELI
245	WR14X10109	GASKET FRONT VP
247	WR17X10971	BAR REINFORCEMENT
253	WR02X10937	LEVER PAN DELI
254	WR02X10938	LINKAGE PAN DELI
255	WR17X10969	DAMPER VP
259	WR02X10936	DAMPER PAN DELI
261	WR14X10111	GASKET DELI PAN
263	WR14X10110	GASKET CVR PAN REAR
399	WR71X10521	RACK BEVERAGE
400	WR32X10226	SHELF SLIDEOUT ASM
401	WR32X10224	SHELF ENCAP SLIDEOUT
404	WR32X10224	SHELF CANT FF ENCAP
413	WR72X10078	SLIDE PAN
468	WR02X10980	BEARING SLIDE
472	WR72X10072	SLIDE PAN RH
473	WR72X10073	SLIDE PAN LH
525	WR01X1763	SCR 8-18 T WAFER 5/8



151	WR01X1554	SCR 8-18 AB IHXW 1/2 S
268	WR01X10210	SCREW MOBILITY 3.5
275	WR13X10187	HINGE TOP AND PIN ASM BK
275	WR13X10181	HINGE TOP AND PIN ASM BQ
275	WR13X10180	HINGE TOP AND PIN ASM WH
276	WR13X10183	HINGE CENTER ASM BK
276	WR13X10182	HINGE CENTER ASM BQ
276	WR13X10177	HINGE CENTER ASM WH
277	WR02X10933	COVER MULLION SCREW
277	WR02X10933	COVER MULLION SCREW BK
277	WR02X10907	COVER MULLION SCREW BQ
278	WR02X10936	MOBILITY FRONT ASM
279	WR13X10179	PIN HINGE CENTER
280	WR02X10781	CAP CORNER OC BK
280	WR02X10780	CAP CORNER OC BQ
280	WR02X10740	CAP CORNER OC WH
282	WR13X10186	HINGE BTM & PIN ASM BK
282	WR13X10185	HINGE BTM & PIN ASM BQ
282	WR13X10184	HINGE BTM & PIN ASM WH
288	WR74X10075	GRILLE BASE BK
288	WR74X10076	GRILLE BASE BQ
288	WR74X10077	GRILLE BASE WH
289	WR02X10738	CLIP GRILLE
290	WR02X10923	GRILLE CAP BK
290	WR02X10898	GRILLE CAP BQ
290	WR02X10880	GRILLE CAP WH
447	WR13X10196	COVER HINGE BK
447	WR13X10195	COVER HINGE BQ
447	WR13X10198	COVER HINGE WH
525	WR01X10109	SCR 8-18 T WAFER 5/8
552	WR01X10109	SCREW
693	WR01X10171	SCREW 12-24 .9 BQ
693	WR01X2136	SCREW 12-24 .9 WH
693	WR01X10250	SCR 12-24TT OHT .900 SCA
695	WR01X10171	SCR 12-24 .7
696	WR02X10993	SCREW COVER BK
696	WR02X10993	SCREW COVER BQ
696	WR02X10992	SCREW COVER WH
727	WR17X10984	SEPARATOR AIR HI SIDE



224	WR02X10661	TUBE DRAIN
257	WR02X10663	STAND OFF
264	WR02X10695	WHEEL MOBILITY REAR
267	WR82X10077	ACCESS COVER
312	WR02X10577	MOBILITY BACK ASM
599	WR02X10577	RING COMPRESSION
602	WR01X10577	SCREW
611	WR02X10521	BRKT COND FAN (MTG)
614	WR02X10521	BUMPER LID
617	WR02X10521	GROMMET COND FAN
626	WR23X0108	POWER CORD
627	WR17X10691	BAFFLE CONDENSER
628	WR01X5078	CLAMP CABLE
650	WR60X10053	MOTOR DC COND FAN
651	WR60X10049	BLADE COND FAN ASM
683	WR02X10560	FASTENER PUSH
684	WB01T	SCR 8-32 X .625 M HXW S
686	WR01X10252	SCR 10-32 TT HXW 5/16 S
690	WR01X1466	SCR 8-32 T HXW 3/8 S
691	WR02X10521	BRACKET COND FAN (REAR)
725	WR87X10055	COMPR REPL KIT
728	WR14X10055	GROMMET TUBING SLIT
729	WR62X10079	CAPACITOR
730	WR84X10055	COND REPL KIT
732	WR02X10560	CLIP RELAY COVER
733	WR07X0240	RELAY (PTCR)
734	WR02X9069	COVER RELAY
735	WR08X10015	OVERLOAD
736	WR02X8203	CLIP COMPRESSOR MOUNT
737	WR02X10000	GROMMET
740	WR86X10055	DRYER BIFURCATED XH9
741	WR01X1779	STUD MTG COMPR
749	WR17X10694	BAFFLE COND AIR
750	WR01X10577	SCR 10-32 TR 1/2
751	WR01X10577	BASEPLATE HIGH SIDE
756	WR17X10726	SHROUD CONDENSER
757	WR01X10193	SCR 10-32 SPECIAL
762	WR14X10053	FOAM STRIP SE ADH
764	WR01X10577	CLIP, COND MNT
765	WR01X10577	BRACKET CONDENSER BAR
801	WR55X10151	BOARD MAIN ASM CONTROL
803	WR02X10871	COVER MAIN BOARD ASM
835	WR23X10213	HARNESS BOARD INDIV MOD