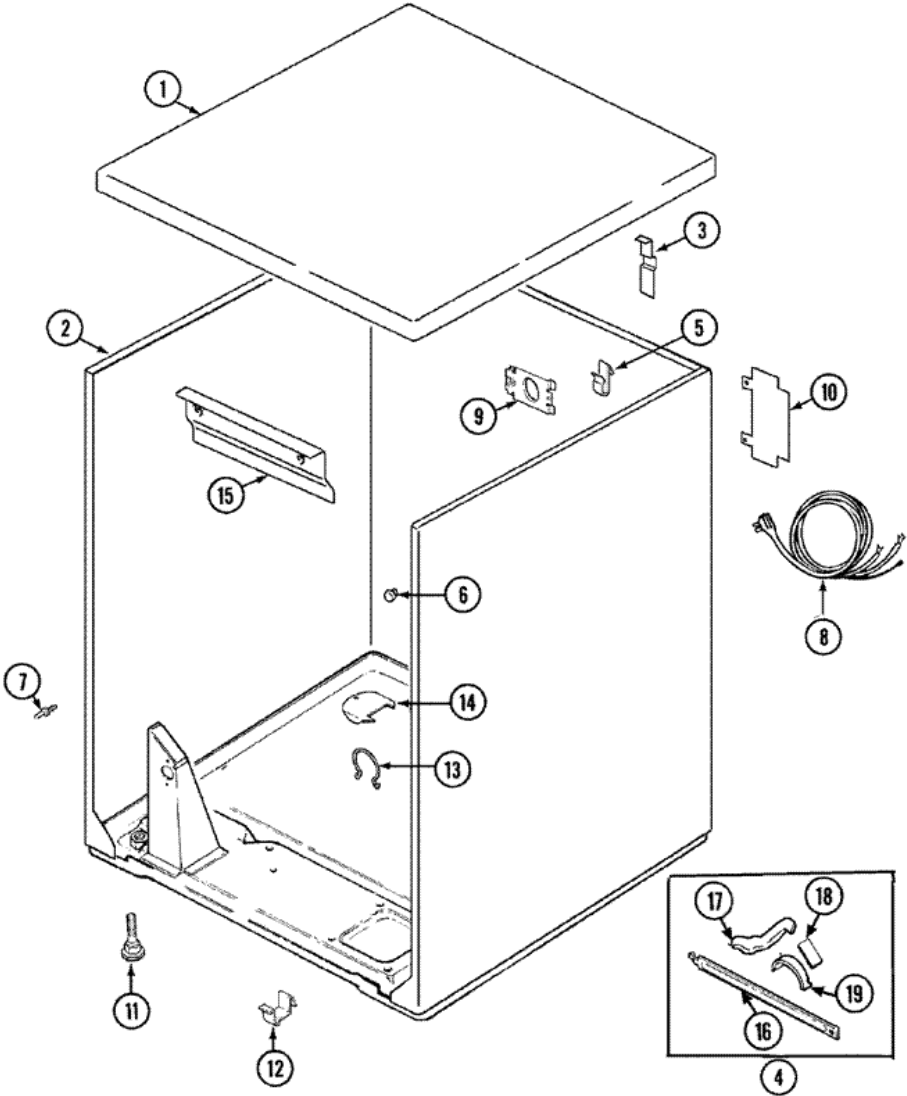


**PYET344AYW GABINETE**





## PYET344AYW GABINETE

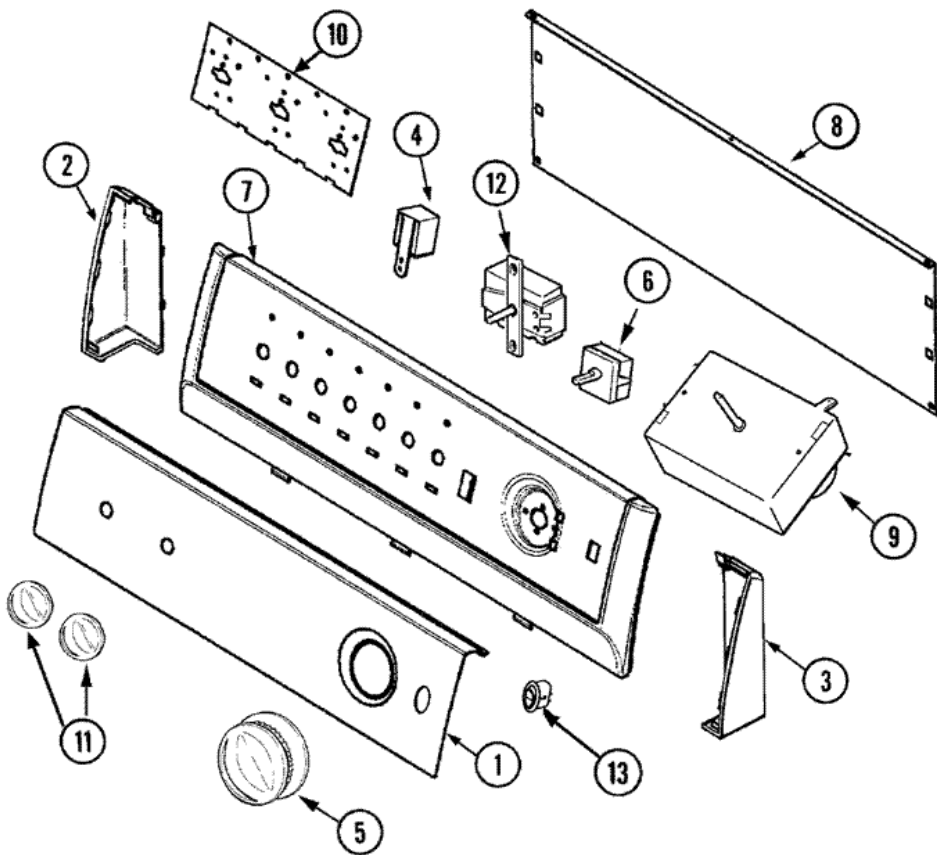
|    |          |   |
|----|----------|---|
| 1  | 31001423 | TOP, CABINET (WHT) <b>DESCONTINUADO</b> |
| 1  | 31001220 | DAMPER, CABINET <b>(S/P)</b>            |
| 2  | 31001714 | CABINET & BASE ASM (WHT) <b>(S/P)</b>   |
| 3  | 25-3092  | SCREW <b>(S/P)</b>                      |
| 3  | 35-4128  | PAD, HINGE <b>(S/P)</b>                 |
| 3  | 63-5712  | HINGE, CABINET TOP <b>(S/P)</b>         |
| 4  | 12002126 | REINFORCEMENT BRACE/GLIDE KIT           |
| 5  | 25-3034  | CLIP, WIRING <b>(S/P)</b>               |
| 6  | 33-2653  | BUMPER, CABINET <b>(S/P)</b>            |
| 7  | 21001829 | POST, LOCATING <b>(S/P)</b>             |
| 9  | 25-7828  | SCREW, NO.10 TORQ LIMITING <b>(S/P)</b> |
| 9  | 53-0135  | SUPPORT, POWER CORD <b>(S/P)</b>        |
| 10 | 53-0284  | COVER, TERMINAL <b>(S/P)</b>            |
| 10 | 25-7857  | SCREW <b>(S/P)</b>                      |
| 11 | 63-5519  | LEG, LEVELING                           |
| 12 | 53-0120  | CLIP, FRONT PANEL                       |
| 13 | 16515    | CLIP, WIRING HARNESS <b>(S/P)</b>       |
| 14 | 25-7733  | SCREW <b>(S/P)</b>                      |
| 14 | 53-1921  | SHIELD, WIRING <b>(S/P)</b>             |
| 15 | 25-3457  | SCREW, SEMS <b>(S/P)</b>                |
| 15 | 53-0133  | SHIELD, HEAT <b>DESCONTINUADO</b>       |
| 16 | 53-1625  | BRACE, TUMBLER SUPPORT <b>(S/P)</b>     |
| 17 | 31001469 | GLIDE, TUMBLER (RT) <b>(S/P)</b>        |
| 18 | 31001356 | PAD, GLIDE <b>(S/P)</b>                 |
| 19 | 31001470 | GLIDE, TUMBLER (LT)                     |

Distribuidor Autorizado

**SurteRápido.com**

Venta de Refacciones  
Electrodomesticas

## PYET344AYW TABLERO





## PYET344AYW TABLERO

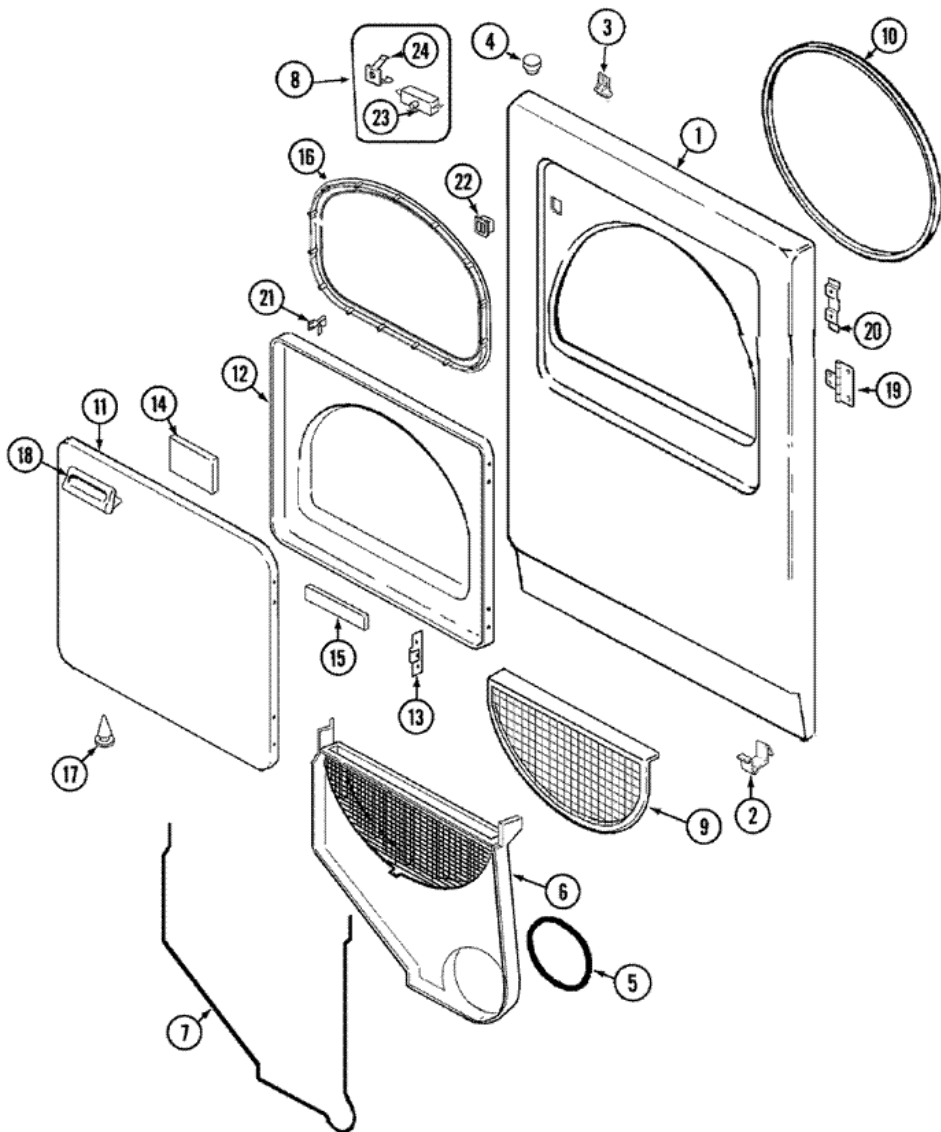
|    |          |                                     |
|----|----------|-------------------------------------|
| 1  | 31001549 | PANEL, CONTROL (S/P)                |
| 2  | 21001519 | ENDCAP (WHT-LT)                     |
| 2  | 25-3092  | SCREW (S/P)                         |
| 3  | 21001523 | ENDCAP (WHT-RT)                     |
| 3  | 25-3092  | SCREW (S/P)                         |
| 4  | 53-1639  | BUZZER ASSY. (S/P)                  |
| 5  | 37001184 | KNOB/SKIRT, TIMER                   |
| 6  | 25-3092  | SCREW (S/P)                         |
| 6  | 31001190 | SWITCH, TWO POSITION ROTARY (S/P)   |
| 7  | 21002005 | FRAME, CONTROL PANEL (WHT) (S/P)    |
| 8  | 25-3092  | SCREW (S/P)                         |
| 8  | 21001527 | SHIELD, REAR (BACK PANEL)           |
| 9  | 25-3092  | SCREW (S/P)                         |
| 9  | 31001484 | RESISTOR ASM (DOMESTIC/TIMER) (S/P) |
| 9  | 31001513 | TIMER (120V/60HZ)                   |
| 10 | 31001193 | PAD, SHIELD <b>DESCONTINUADO</b>    |
| 10 | 21001603 | SHIELD, CONTROL (3 POS.) (S/P)      |
| 11 | 21001954 | KNOB, SELECTOR (WHT)                |
| 12 | 31001704 | RESISTOR ASM TEMPERATURE (S/P)      |
| 12 | 31001483 | RESISTOR ASM TEMPERATURE (S/P)      |
| 12 | 53-4395  | SWITCH, TEMPERATURE (S/P)           |
| 12 | 31001447 | SWITCH, TEMPERATURE (S/P)           |
| 12 | 25-3092  | SCREW (S/P)                         |
| 13 | 22003977 | SWITCH, ROCKER (WHT)                |
| 14 | 31001488 | HARNESS, WIRE (S/P)                 |
| 14 | 31001741 | LEAD ASSEMBLY (BUZZER) (S/P)        |
| 14 | 31001557 | LEAD ASSEMBLY (SIGNAL) (S/P)        |
| 14 | 53-4450  | HARNESS, WIRING (S/P)               |
| 14 | 21001978 | LEAD ASSEMBLY (GROUND) (S/P)        |

Distribuidor Autorizado

**SurteRápido.com**

Venta de Refacciones  
Electrodomesticas

## PYET344AYW PUERTA

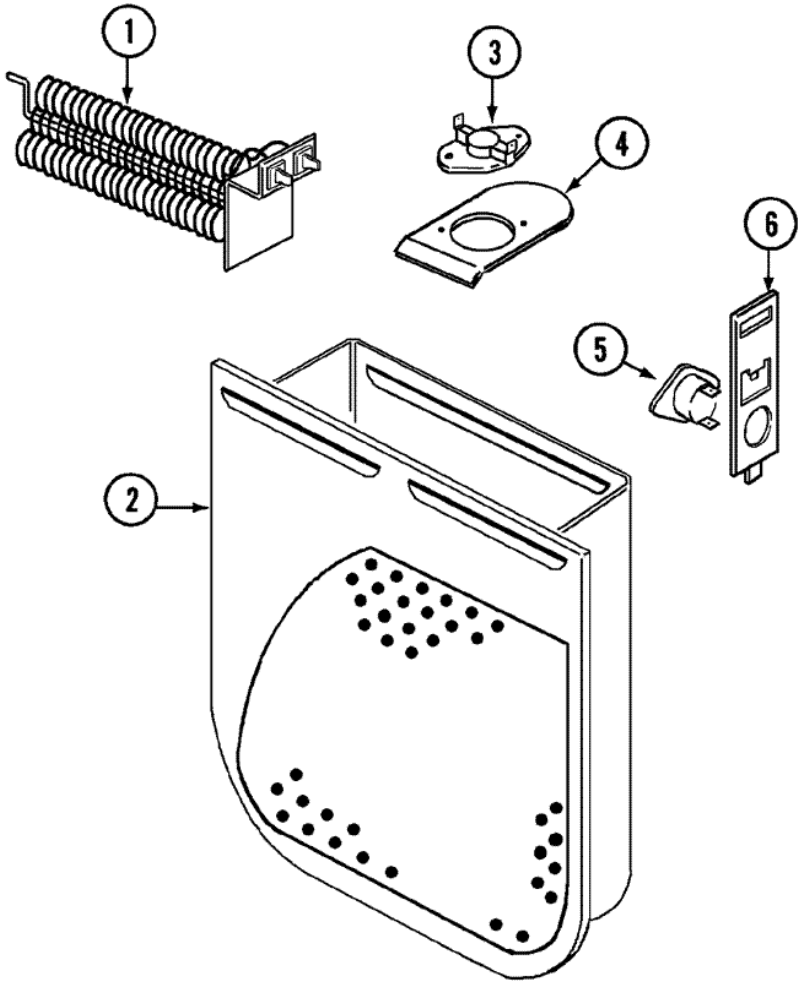




## PYET344AYW PUERTA

|    |           |                                     |
|----|-----------|-------------------------------------|
| 1  | 31001771  | PANEL, FRONT (WHT) (S/P)            |
| 2  | 53-0120   | CLIP, FRONT PANEL                   |
| 3  | 31001526  | LOCK, TOP (S/P)                     |
| 4  | 33-2653   | BUMPER, CABINET (S/P)               |
| 5  | 31001541  | SEAL, BLOWER/COLLECTOR DUCT (S/P)   |
| 6  | 25-7810   | SCREW 8-18X1/2 TRUSS H (S/P)        |
| 6  | 12001324  | DUCT KIT, COLLECTOR                 |
| 7  | 53-0204   | SEAL (S/P)                          |
| 8  | LA-1005   | SWITCH KIT (INCL. 23 & 24) (S/P)    |
| 8  | W10124350 | NOT REQUIRED PART OR SEE NOTE (S/P) |
| 9  | 53-0918   | FILTER, LINT                        |
| 10 | 31001747  | SEAL ASSY (WHITE)                   |
| 11 | 25-7752   | SCREW, 8-18X3/8 TYAB BUT (S/P)      |
| 11 | 53-0154   | PANEL, OUTER DOOR (WHT) (S/P)       |
| 12 | 53-0912   | PANEL, INNER DOOR (WHT) (S/P)       |
| 13 | 53-0119   | CLIP, HINGE (S/P)                   |
| 14 | 53-1490   | DOOR PAD (S/P)                      |
| 15 | 53-1491   | DOOR PAD (S/P)                      |
| 16 | 31001529  | SEAL, DOOR                          |
| 17 | 25-7889   | PLUG BUTTON (S/P)                   |
| 18 | 25-7810   | SCREW 8-18X1/2 TRUSS H (S/P)        |
| 18 | 53-0927   | HANDLE, DOOR (WHT) (S/P)            |
| 19 | 53-1492   | HINGE, DRYER DOOR (S/P)             |
| 19 | 25-7809   | SCREW, NO.6-20 1/2 FLTHD TORX (S/P) |
| 20 | 53-0121   | TWIN NUT <b>DESCONTINUADO</b>       |
| 20 | 31001786  | SCREW, 8-18X1/2 TORX T10 (S/P)      |
| 21 | 279570    | STRIKE, DOOR                        |
| 22 | 279570    | CATCH, DOOR                         |
| 23 | 53-0148   | SWITCH, DOOR (S/P)                  |
| 24 | 31001319  | CLIP, SWITCH (S/P)                  |
| 24 | 31001733  | CLIP, SWITCH (S/P)                  |

**PYET344AYW RESISTENCIA**





## PYET344AYW RESISTENCIA

|   |         |  |
|---|---------|--|
| 1 | 25-7863 | SCREW <b>(S/P)</b>                     |
| 1 | LA-1044 | ELEMENT, HEATING (4750W) <b>(S/P)</b>  |
| 2 | 53-1232 | HEATER HOUSING ASSEMBLY <b>(S/P)</b>   |
| 3 | 25-3083 | SCREW <b>(S/P)</b>                     |
| 3 | LA1053  | THERMOSTAT, HI-LIMIT                   |
| 4 | 212951  | SCREW, NO.6-32 X 1/4 INCH <b>(S/P)</b> |
| 4 | 53-0285 | BRACKET, THERMOSTAT <b>(S/P)</b>       |
| 5 | LA1053  | FUSE KIT, THERMAL                      |
| 6 | 53-1181 | BRACKET, THERMAL FUSE <b>(S/P)</b>     |

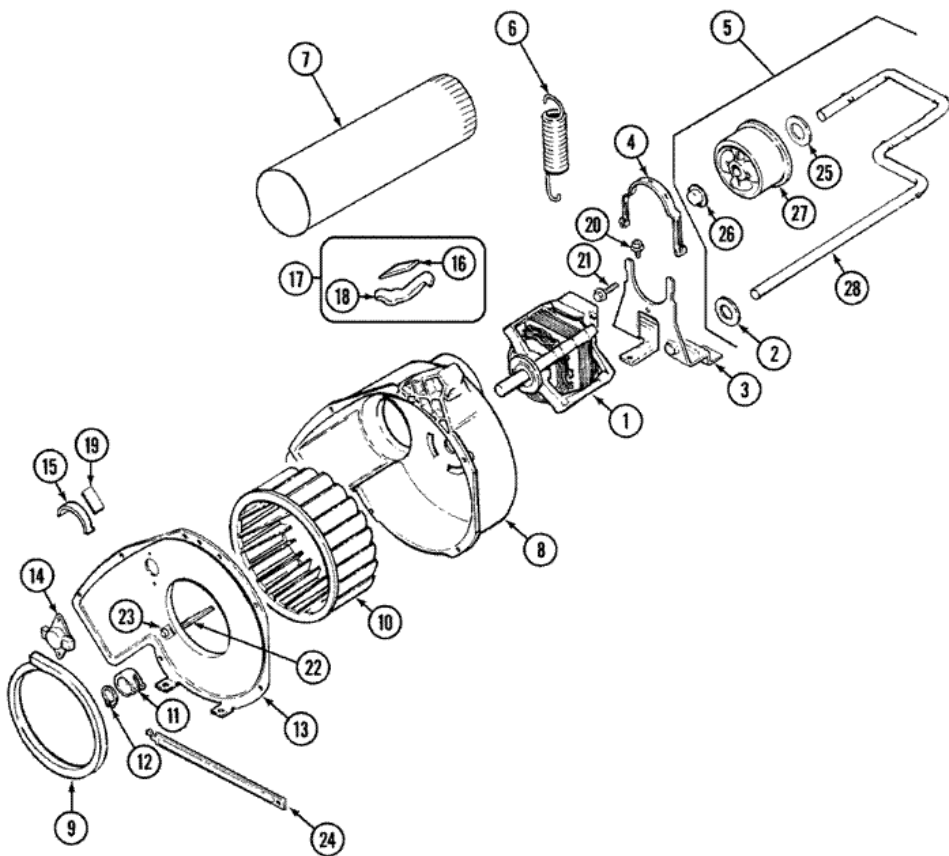


Distribuidor Autorizado

SurteRápido.com

Venta de Refacciones  
Electrodomesticas

## PYET344AYW MOTOR

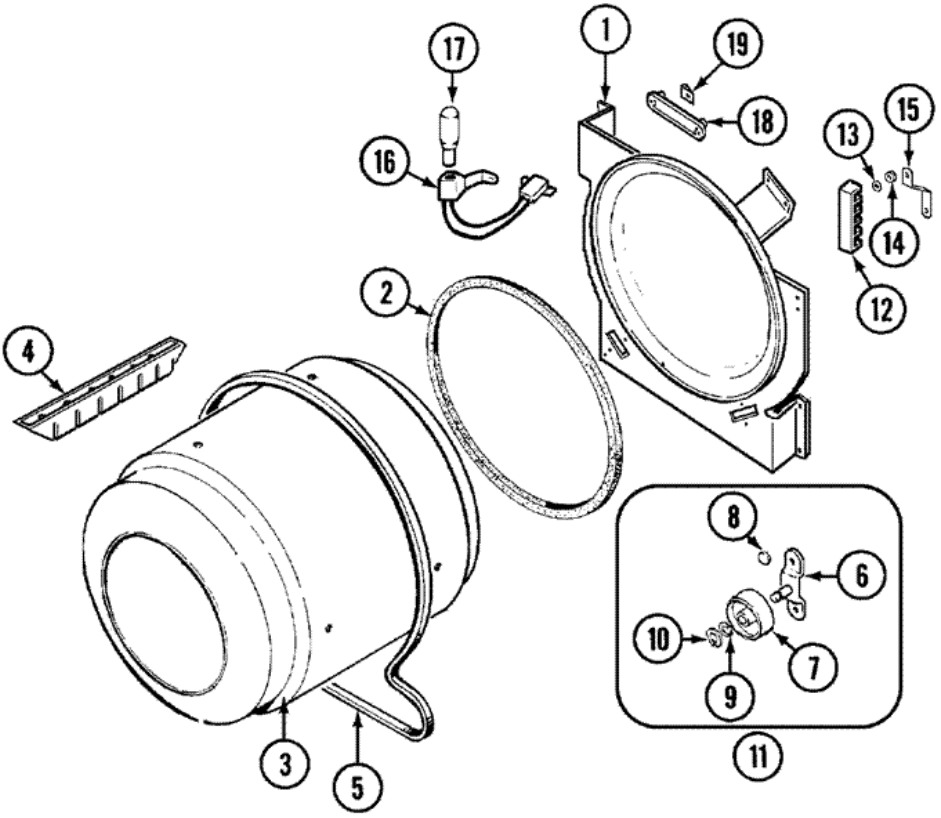




## PYET344AYW MOTOR

|    |          |                                   |
|----|----------|-----------------------------------|
| 1  | 31001535 | PULLEY, MOTOR (60HZ)              |
| 1  | 31001589 | MOTOR 1/3HP                       |
| 2  | 25-7815  | WASHER (S/P)                      |
| 3  | 31001570 | MOTOR MTG. BRKT. (S/P)            |
| 4  | 53-0214  | CLAMP, MOTOR (S/P)                |
| 5  | 53-2287  | IDLER ASSY. (S/P)                 |
| 6  | 31001465 | SPRING, IDLER (S/P)               |
| 7  | 25-2134  | SCREW (S/P)                       |
| 7  | 53-0134  | DUCT, EXHAUST (S/P)               |
| 8  | 53-1801  | HOUSING, BLOWER (S/P)             |
| 9  | 31001541 | SEAL, BLOWER/COLLECTOR DUCT (S/P) |
| 10 | 31001317 | WHEEL, BLOWER (DEEPPD)            |
| 11 | 312967   | CLAMP                             |
| 12 | 25-7855  | RING, RETAINING (S/P)             |
| 13 | 53-1934  | COVER, BLOWER HOUSING (S/P)       |
| 13 | 25-7807  | SCREW (S/P)                       |
| 14 | 31001192 | THERMOSTAT, CONTROL (S/P)         |
| 14 | 25-2134  | SCREW (S/P)                       |
| 14 | 31001088 | THERMOSTAT, CONTROL               |
| 15 | 31001470 | GLIDE, TUMBLER (LT)               |
| 16 | 31001356 | PAD, GLIDE (S/P)                  |
| 17 | LA-1006  | GLIDE KIT, TUMBLER (S/P)          |
| 18 | 31001469 | GLIDE, TUMBLER (RT) (S/P)         |
| 19 | 31001356 | PAD, GLIDE (S/P)                  |
| 20 | 25-7963  | SCREW (S/P)                       |
| 21 | 25-7733  | SCREW (S/P)                       |
| 22 | 53-1026  | GUIDE, VANE INLET (S/P)           |
| 23 | 25-3457  | SCREW, SEMS (S/P)                 |
| 24 | 53-1625  | BRACE, TUMBLER SUPPORT (S/P)      |
| 25 | 25-7815  | WASHER (S/P)                      |
| 26 | 25-7957  | PUSHNUT (S/P)                     |
| 27 | 31001344 | PULLEY, IDLER                     |
| 28 | 53-2287  | ARM, IDLER (S/P)                  |

**PYET344AYW TAMBOR**





**PYET344AYW TAMBOR**

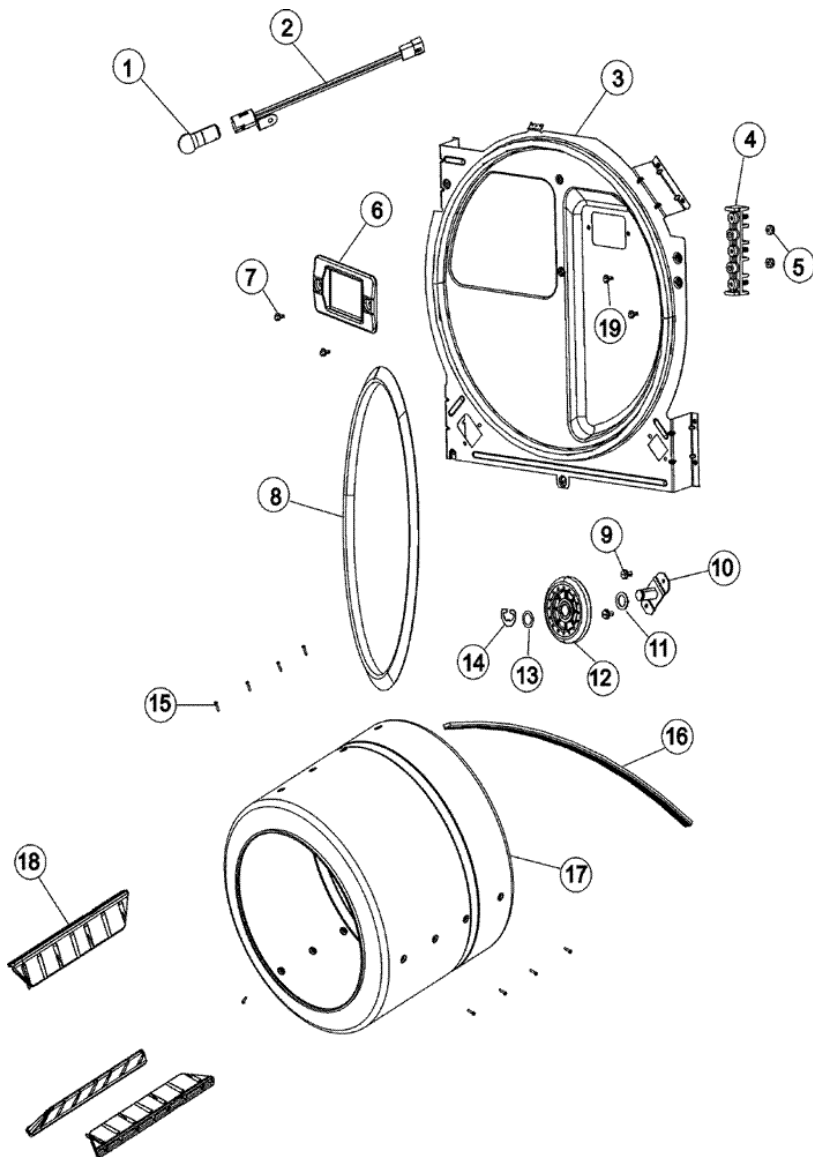
|    |          |                                    |
|----|----------|------------------------------------|
| 1  | LA-1054  | DRYER BULKHEAD KIT (S/P)           |
| 1  | 25-7741  | SCREW (S/P)                        |
| 2  | 53-0281  | SEAL ASSY (WHITE)                  |
| 3  | 53-1250  | CYLINDER (W/BAFFLE) (S/P)          |
| 4  | 53-1249  | BAFFLE, WHITE                      |
| 4  | 25-7759  | SCREW (S/P)                        |
| 5  | 341241   | BELT, CYLINDER                     |
| 6  | 25-7101  | SCREW (S/P)                        |
| 6  | 53-0197  | SUPPORT ASSY.-CYLINDER REAR        |
| 7  | 31001096 | ROLLER (REAR)                      |
| 8  | 25-7813  | SPACER (S/P)                       |
| 9  | 25-7814  | WASHER (S/P)                       |
| 10 | 25-7854  | RING, RETAINING                    |
| 11 | LA1008   | RR ROLLER KIT                      |
| 12 | 53-1518  | BLOCK, TERMINAL (S/P)              |
| 12 | 25-7952  | SCREW (S/P)                        |
| 13 | 25-3122  | WASHER, FLAT (S/P)                 |
| 14 | 311484   | NUT (NO.10-32) (S/P)               |
| 15 | 53-0965  | STRAP, GROUND <b>DESCONTINUADO</b> |
| 16 | 25-3457  | SCREW, SEMS (S/P)                  |
| 16 | 53-1580  | RECEPTACLE ASSY (S/P)              |
| 17 | 53-0570  | CYL LIGHT BULB (S/P)               |
| 18 | 53-0174  | LENS, BULB (S/P)                   |
| 19 | 3195558  | CLIP, PUSH-ON (S/P)                |

Distribuidor Autorizado

SurteRápido.com

Venta de Refacciones  
Electrodomesticas

# PYET344AYW TAMBOR (SERIE 12)





**PYET344AYW TAMBOR (SERIE 12)**

|    |          |   |
|----|----------|---|
| 1  | 31001575 | BULB, CYLINDER LIGHT <b>(S/P)</b>           |
| 2  | 31001579 | RECEPTACLE ASM, CLYINDER LIGHT <b>(S/P)</b> |
| 3  | 31001581 | BULKHEAD WITH SEAL <b>(S/P)</b>             |
| 4  | 53-1518  | BLOCK, TERMINAL <b>(S/P)</b>                |
| 5  | 311484   | NUT (NO.10-32) <b>(S/P)</b>                 |
| 5  | 25-3122  | WASHER, FLAT <b>(S/P)</b>                   |
| 6  | 31001585 | LENS, CYLINDER LIGHT <b>(S/P)</b>           |
| 7  | 31001580 | SCREW, 6-32 HEX WASHER HEAD <b>(S/P)</b>    |
| 8  | 53-0281  | SEAL ASSEMBLY (REAR)                        |
| 9  | 25-7101  | SCREW <b>(S/P)</b>                          |
| 10 | 53-0197  | SUPPORT ASSY.-CYLINDER REAR                 |
| 11 | 31001583 | SPACER, ROLLER <b>(S/P)</b>                 |
| 12 | 31001096 | ROLLER (REAR)                               |
| 13 | 25-7814  | WASHER <b>(S/P)</b>                         |
| 14 | 25-7854  | RING, RETAINING                             |
| 15 | 25-7759  | SCREW <b>(S/P)</b>                          |
| 16 | 341241   | BELT, CYLINDER                              |
| 17 | 53-1250  | CYLINDER (W/BAFFLE) <b>(S/P)</b>            |
| 18 | 53-1249  | BAFFLE, WHITE                               |
| 19 | 25-7952  | SCREW <b>(S/P)</b>                          |