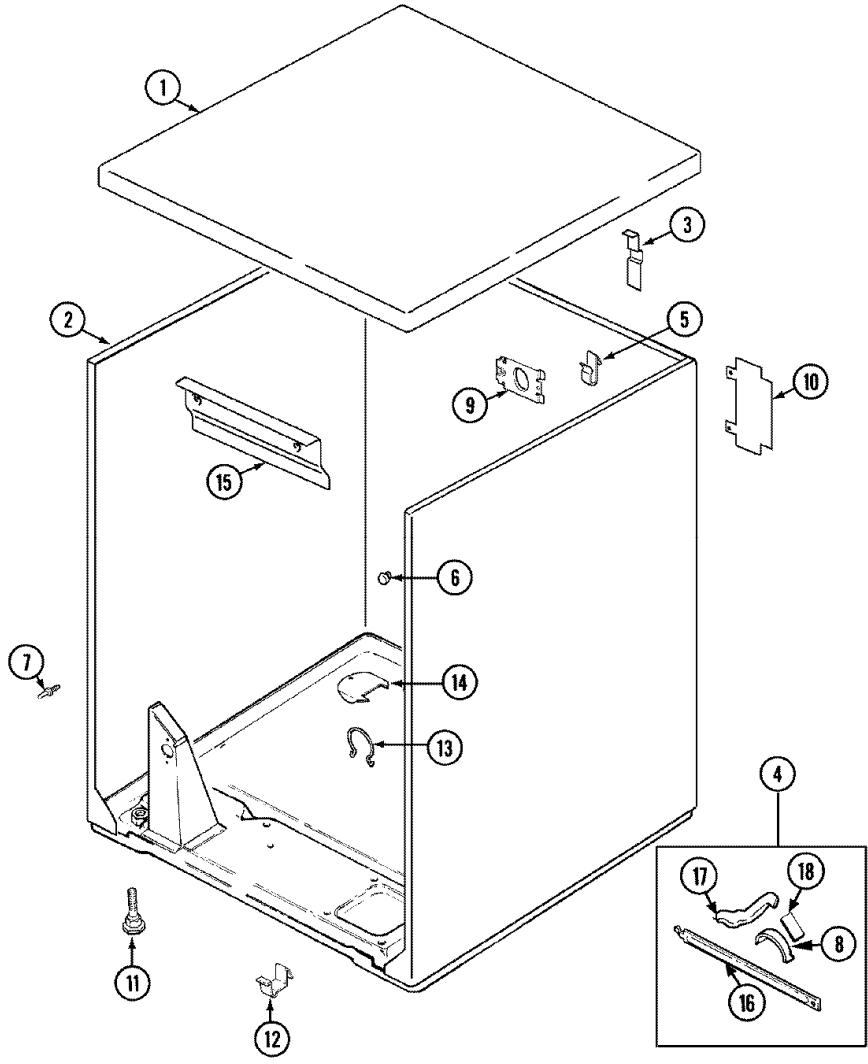


**PYGT244AWW GABINETE**

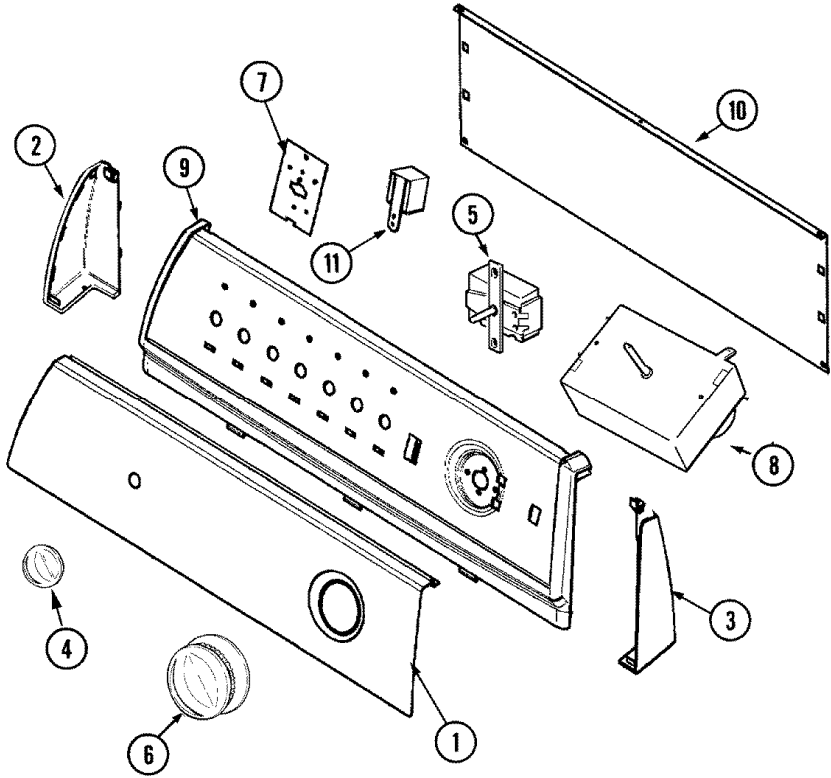




**PYGT244AWW GABINETE**

1	31001220	DAMPER, CABINET (S/P)
1	31001423	TOP, CABINET (WHT) (S/P)
2	31001714	CABINET & BASE ASM (WHT) (S/P)
3	63-5712	HINGE, CABINET TOP (S/P)
3	25-3092	SCREW (S/P)
3	35-4128	PAD, HINGE (S/P)
4	12002126	REINFORCEMENT BRACE/GLIDE KIT
5	25-3034	CLIP, WIRING (S/P)
6	33-2653	BUMPER, CABINET (S/P)
7	21001829	POST, LOCATING (S/P)
8	31001470	GLIDE, TUMBLER (LT)
11	63-5519	LEG, LEVELING
12	53-0120	CLIP, FRONT PANEL
13	16515	CLIP, WIRING HARNESS (S/P)
14	25-7733	SCREW (S/P)
14	53-1921	SHIELD, WIRING (S/P)
16	53-1625	BRACE, TUMBLER SUPPORT (S/P)
17	31001469	GLIDE, TUMBLER (RT) (S/P)
18	31001356	PAD, GLIDE (S/P)

**PYGT244AWW TABLERO**





## PYGT244AWW TABLERO

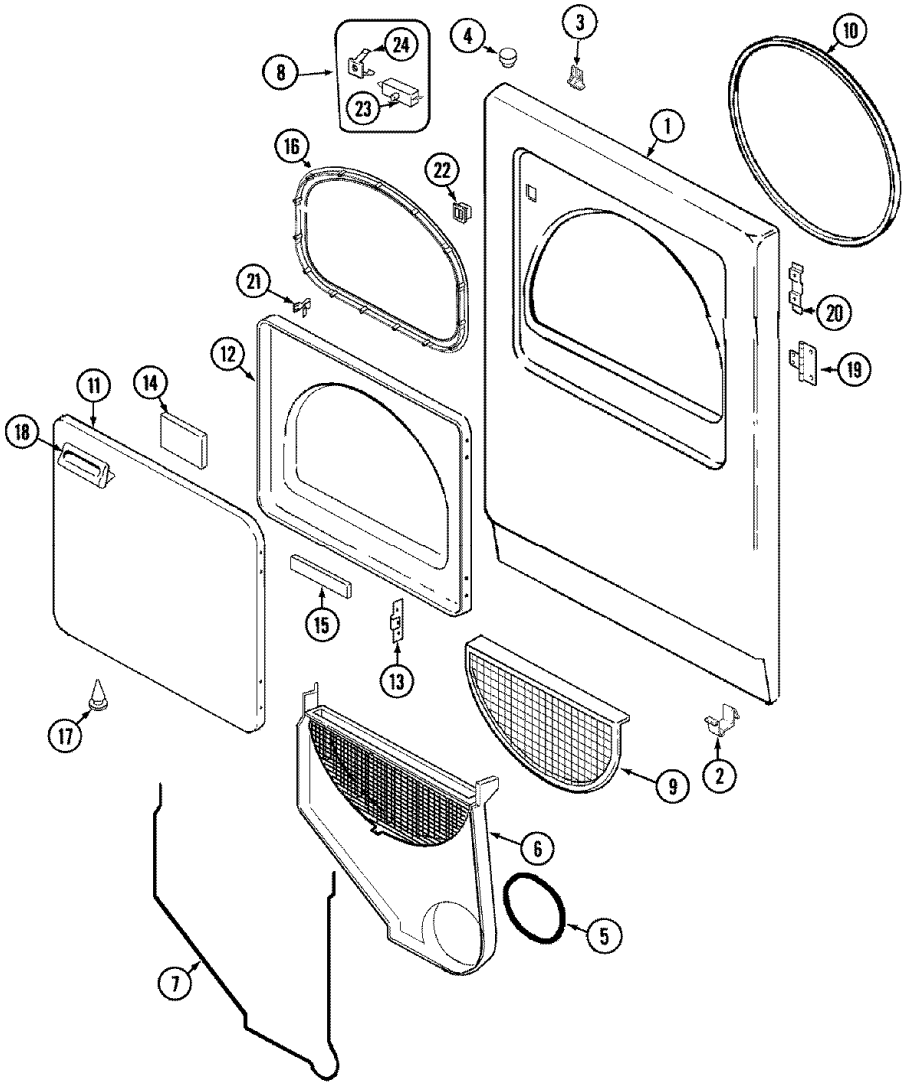
1	53-4325	PANEL, CONTROL (S/P)
2	21001519	ENDCAP (WHT-LT) (S/P)
2	25-3092	SCREW (S/P)
3	21001523	ENDCAP (WHT-RT) (S/P)
3	25-3092	SCREW (S/P)
4	21001954	KNOB, SELECTOR (WHT)
5	31001449	SWITCH, TEMPERATURE (S/P)
5	25-3092	SCREW (S/P)
6	37001184	KNOB/SKIRT, TIMER
7	21001517	SHIELD, CONTROL (1 POS.) (S/P)
8	53-1810	TIMER
8	25-3092	SCREW (S/P)
9	21002005	FRAME, CONTROL PANEL (WHT) (S/P)
10	21001527	SHIELD, REAR (BACK PANEL) (S/P)
10	25-3092	SCREW (S/P)
11	53-1639	BUZZER ASSY. (S/P)

Distribuidor Autorizado

SurteRápido.com

Venta de Refacciones  
Electrodomesticas

## PYGT244AWW PUERTA

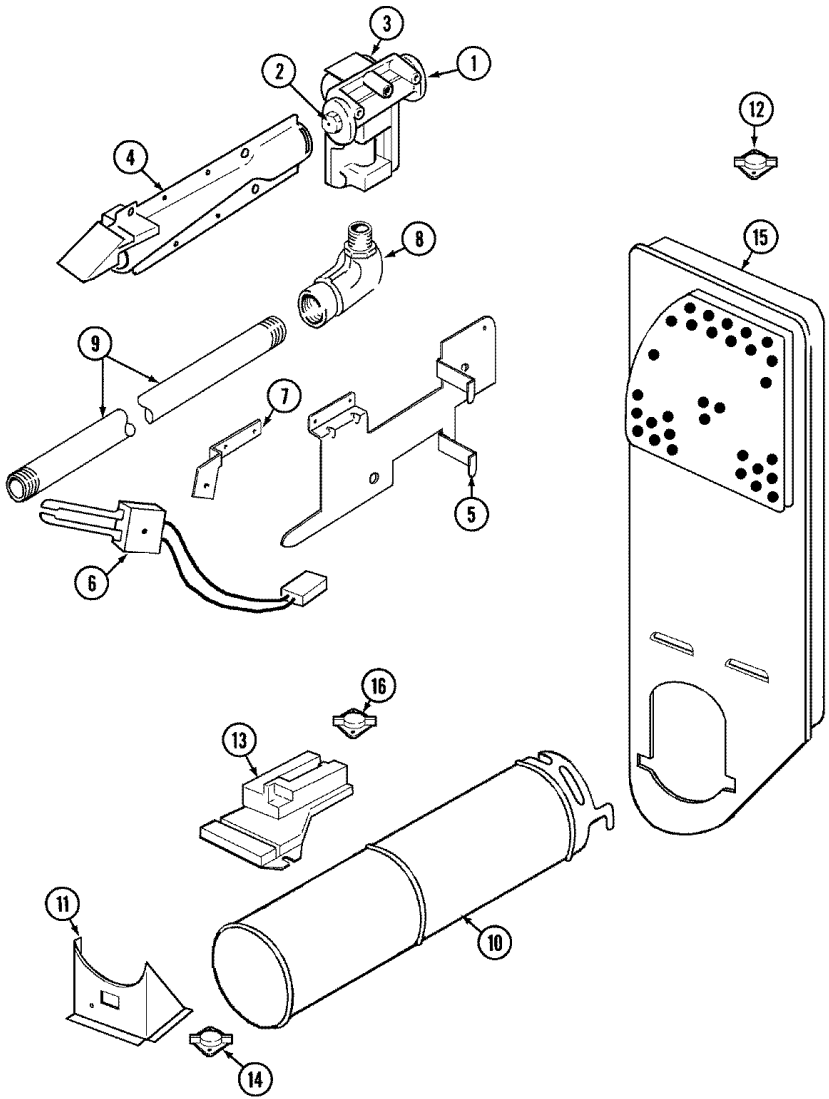




## PYGT244AWW PUERTA

1	31001771	PANEL, FRONT (WHT) (S/P)
2	53-0120	CLIP, FRONT PANEL
3	31001526	LOCK, TOP (S/P)
4	33-2653	BUMPER, CABINET (S/P)
5	31001541	SEAL, BLOWER/COLLECTOR DUCT (S/P)
6	12001324	DUCT KIT, COLLECTOR
6	25-7810	SCREW 8-18X1/2 TRUSS H (S/P)
7	53-0204	SEAL (S/P)
8	31001732	SWITCH, DOOR (S/P)
9	53-0918	FILTER, LINT
10	53-0281	SEAL ASSEMBLY (REAR-BLK)
11	53-0154	PANEL, OUTER DOOR (WHT) (S/P)
11	25-7752	SCREW, 8-18X3/8 TYAB BUT (S/P)
12	53-0912	PANEL, INNER DOOR (WHT) (S/P)
13	53-0119	CLIP, HINGE (S/P)
14	53-1490	DOOR PAD (S/P)
15	53-1491	DOOR PAD (S/P)
16	31001529	SEAL, DOOR
17	25-7889	PLUG BUTTON (S/P)
18	53-0927	HANDLE, DOOR (WHT) (S/P)
18	25-7810	SCREW 8-18X1/2 TRUSS H (S/P)
19	25-7809	SCREW, No.6-20 1/2 FLTHD TORX (S/P)
19	53-1492	HINGE, DRYER DOOR (S/P)
20	53-0121	TWIN NUT (S/P)
20	31001786	SCREW, 8-18X1/2 TORX T10 (S/P)
21	LA-1003	STRIKE, DOOR
22	LA-1003	CATCH, DOOR
23	53-0148	SWITCH, DOOR (S/P)
24	31001319	CLIP, SWITCH (S/P)

**PYGT244AWW QUEMADOR**





## PYGT244AWW QUEMADOR

1	31001368	TAIL PIECE (S/P)
1	60-6846	UNION NUT (S/P)
1	31001485	VALVE, GAS (WITH ORIFICE) (S/P)
2	63-3570	BURNER ORIFICE
3	279834	COIL KIT, GAS DRYER VALVE (2)
4	63-6682	BURNER ASM
5	25-3034	CLIP, WIRING (S/P)
5	53-0140	MTG BRACKET (S/P)
5	25-7741	SCREW (S/P)
6	25-7744	SCREW (S/P)
6	31001556	IGNITER
7	53-0686	BRACKET (S/P)
7	25-2134	SCREW (S/P)
8	33001842	CONNECTOR, ANGLE
9	31001777	MAIN GAS LINE ASSY. (S/P)
10	25-7741	SCREW (S/P)
10	53-1884	HOUSING, HEATER <b>DESCONTINUADO</b>
11	25-3092	SCREW (S/P)
11	53-2363	SUPPORT, HEATER HOUSING (S/P)
12	25-0168	SCREW (S/P)
12	LA1053	THERMOSTAT, HI-LIMIT
13	25-2134	SCREW (S/P)
13	338906	SENSOR
14	LA1053	FUSE KIT, THERMAL
15	25-7741	SCREW (S/P)
15	53-1706	INLET AIR DUCT ASSY <b>DESCONTINUADO</b>
16	LA1053	THERMOSTAT, HI-LIMIT

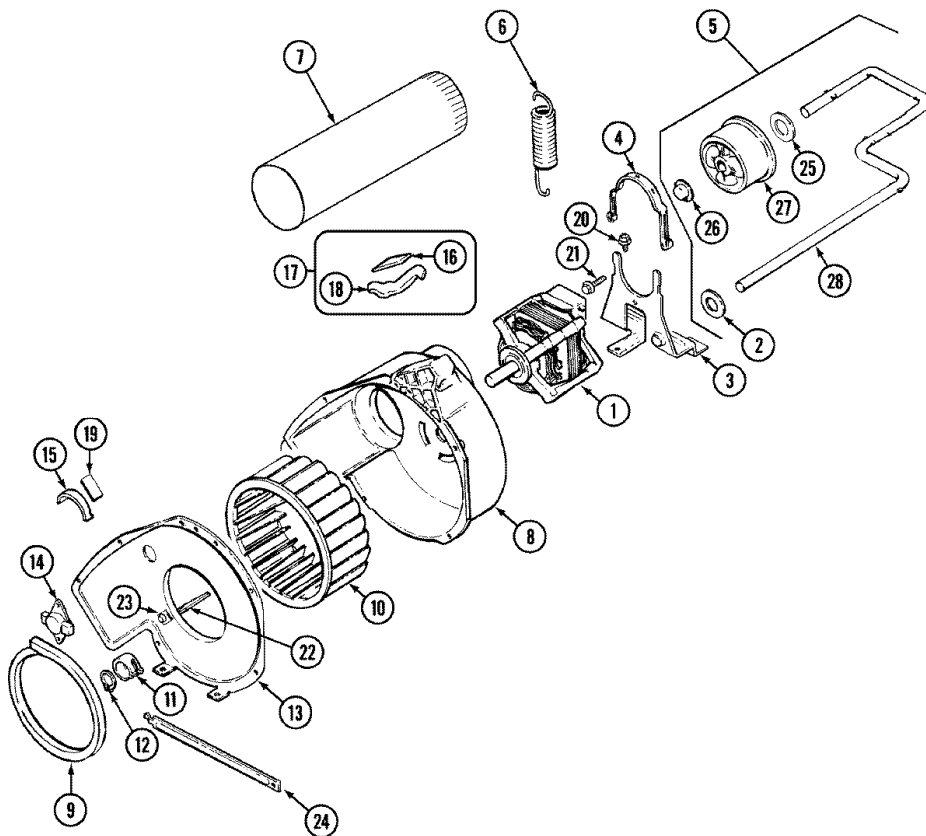


Distribuidor Autorizado

**SurteRápido.com**

Venta de Refacciones  
Electrodomesticas

## PYGT244AWW MOTOR

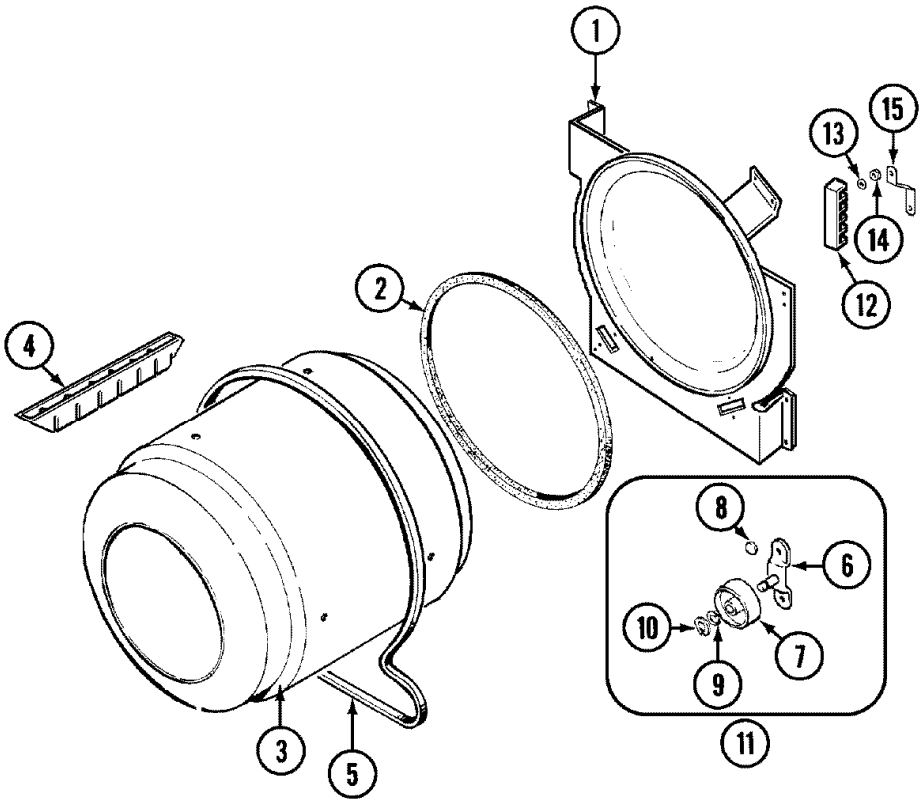




## PYGT244AWW MOTOR

1	31001344	PULLEY, IDLER
1	31001589	MOTOR (115V-60HZ 1/3HP)
2	25-7815	WASHER (S/P)
3	31001570	BRACKET, MOTOR (S/P)
4	53-0214	CLAMP, MOTOR
5	31001710	IDLER ARM ASSEMBLY (S/P)
6	31001465	SPRING, IDLER (S/P)
7	53-0134	DUCT, EXHAUST (S/P)
7	25-2134	SCREW (S/P)
8	53-1801	HOUSING, BLOWER (S/P)
9	31001541	SEAL, BLOWER/COLLECTOR DUCT (S/P)
10	31001317	WHEEL, BLOWER (DEEPPD)
11	312967	CLAMP
12	25-7855	RING, RETAINING (S/P)
13	25-7807	SCREW (S/P)
13	53-1934	COVER, BLOWER HOUSING (S/P)
14	31001088	THERMOSTAT, CONTROL
14	25-2134	SCREW (S/P)
15	31001470	GLIDE, TUMBLER (LT)
16	31001356	PAD, GLIDE (S/P)
17	LA1006	GLIDE KIT, TUMBLER
18	31001469	GLIDE, TUMBLER (RT) (S/P)
19	31001356	PAD, GLIDE (S/P)
20	25-7963	SCREW (S/P)
21	25-7733	SCREW (S/P)
22	53-1026	GUIDE, VANE INLET (S/P)
23	25-3457	SCREW, SEMS (S/P)
24	53-1625	BRACE, TUMBLER SUPPORT (S/P)
25	25-7815	WASHER (S/P)
26	25-7957	PUSHNUT (S/P)
27	31001344	PULLEY, IDLER
28	31001711	ARM, IDLER (LOCKING) (S/P)

**PYGT244AWW TAMBOR**





**PYGT244AWW TAMBOR**

1	31001775	COVER, LENS HOLE <b>(S/P)</b>
1	31001581	BULKHEAD WITH SEAL <b>(S/P)</b>
1	31001580	SCREW, 6-32 HEX WASHER HEAD <b>(S/P)</b>
1	25-7741	SCREW <b>(S/P)</b>
2	53-0281	SEAL ASSEMBLY (REAR-BLK)
3	53-1250	CYLINDER (W/BAFFLE) <b>(S/P)</b>
4	25-7759	SCREW <b>(S/P)</b>
4	53-1249	BAFFLE, WHITE <b>(S/P)</b>
5	341241	BELT, CYLINDER
6	25-7101	SCREW <b>(S/P)</b>
6	53-0197	SUPPORT ASSY.-CYLINDER REAR
7	31001096	ROLLER (REAR)
8	25-7813	SPACER <b>(S/P)</b>
9	25-7814	WASHER <b>(S/P)</b>
10	25-7854	RING, RETAINING
11	LA1008	RR ROLLER KIT

Distribuidor Autorizado

SurteRápido.com

Venta de Refacciones Electrodomesticas

PYGT244AWW

