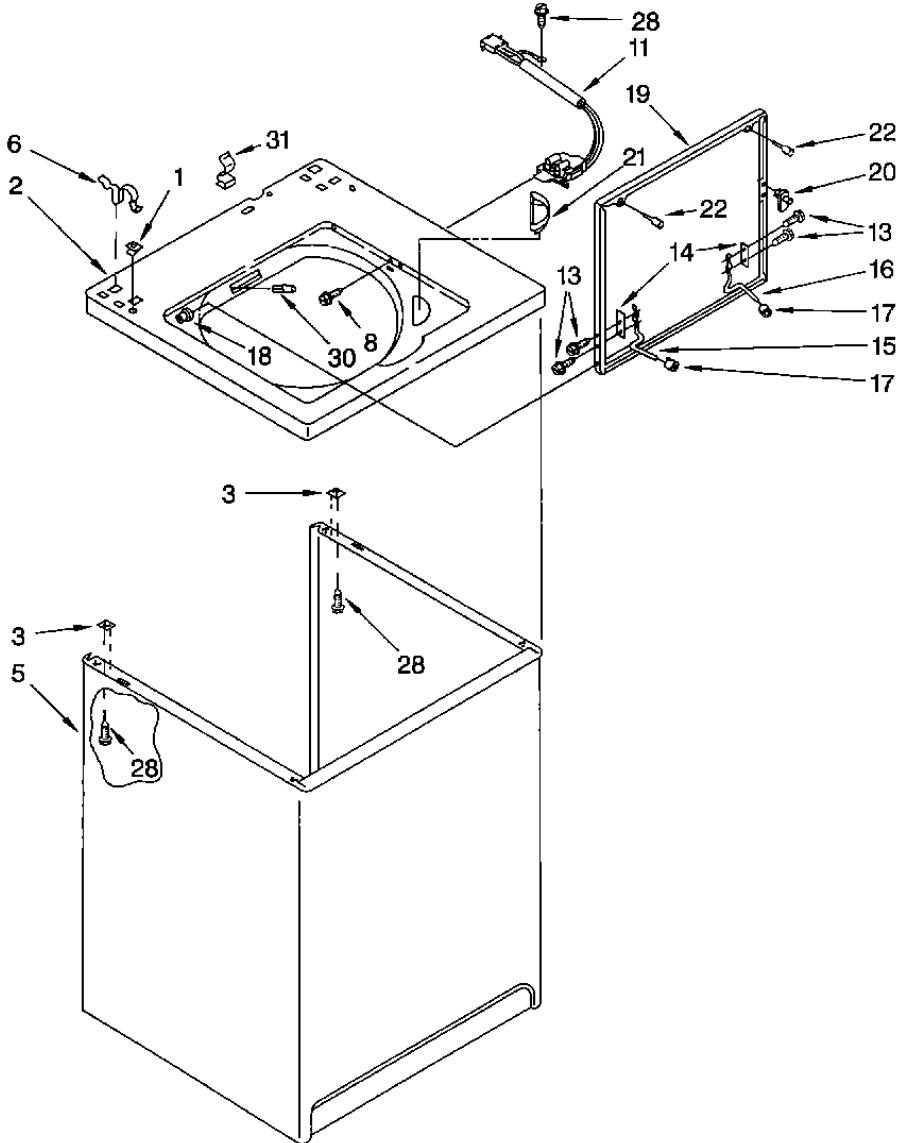


RAB4132AL0 GABINETE





RAB4132AL0 GABINETE

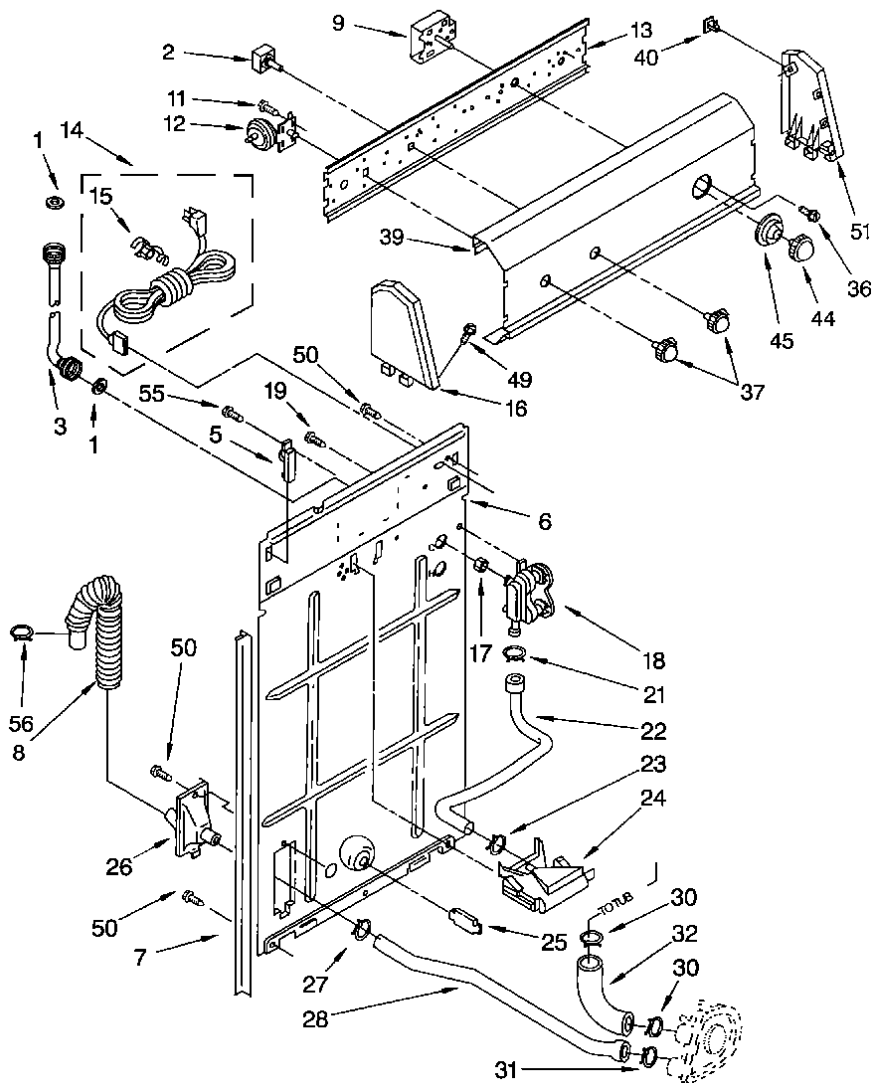
1	357213	NUT, PUSH-IN (2) (S/P)
2	3358228	TOP (GOLDEN HARVEST) (S/P)
2	3950288	TOP (WHITE) DESCONTINUADO
2	3950281	TOP (FOR ALMOND MODEL) (S/P)
3	62750	SPACER, CABINET TO TOP (4) (S/P)
5	63128	CABINET (WHITE)
5	63132	CABINET (GOLDEN HARVEST) (S/P)
5	63129	CABINET (ALMOND) (S/P)
6	62780	CLIP, TOP & CABINET & REAR PANEL (2)
8	3356311	SCREW & WASHER, LID SWITCH (2) (S/P)
11	285671	SWITCH, LID
13	3351355	SCREW, LID HINGE MOUNTING (4) (S/P)
14	21097	PAD, LID HINGE (2) (S/P)
15	54584	HINGE, LID (L.H.) (S/P)
16	54583	HINGE, LID (R.H.) (S/P)
17	19119	BUMPER, LID HINGE (S/P)
18	21258	BEARING, LID HINGE (2) (S/P)
19	285881	LID (GOLDEN HARVEST) (S/P)
19	3957563	LID (WHITE) (S/P)
19	3957564	LID (ALMOND) (S/P)
20	358684	STRIKE, LID SWITCH
21	3362952	DISPENSER, BLEACH
22	93770	BUMPER, LID (2)
28	384435	SCREW, 10-16 X 1/2 (4) (S/P)
30	354239	RIVET, SERIAL NAMEPLATE (S/P)
31	90016	CLIP, HARNESS (S/P)

Distribuidor Autorizado

SurteRápido.com

Venta de Refacciones
Electrodomesticas

RAB4132AL0 TABLERO



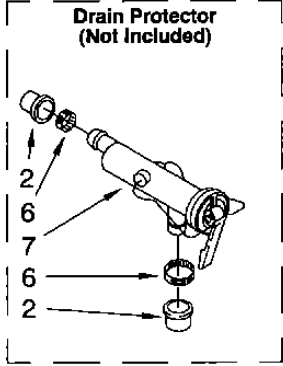
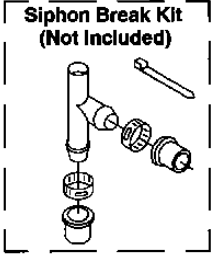
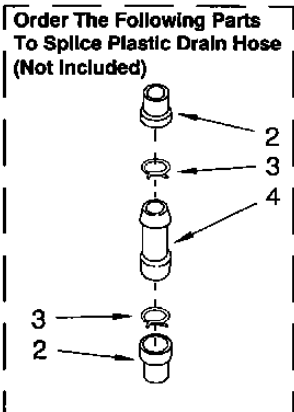


RAB4132AL0 TABLERO

1	16123	WASHER, WATER INLET HOSE (4) (S/P)
2	3405157	SWITCH, WATER TEMPERATURE
3	89503	HOSE, WATER INLET (2)
5	387402	HINGE, CONSOLE (2)
6	3357976	PANEL, REAR (S/P)
7	62747	PAD, REAR PANEL (S/P)
8	285664	HOSE, DRAIN (5-1/2 FT.)
8	285666	HOSE, DRAIN (10 FT.) (NOT INCLUDED) (S/P)
9	285952	TIMER, CONTROL (60 HZ.)
11	3390646	SCREW, 8-18 X 5/16 (S/P)
12	3356467	SWITCH, WATER LEVEL (S/P)
13	3948814	BRACKET, CONTROL (S/P)
14	285800	CORD, POWER
15	285777	STRAIN RELIEF, POWER CORD (S/P)
16	285856	CAP, END (L.H.) (S/P)
17	96160	SCREEN, FILTER (2) (S/P)
18	285805	VALVE, WATER MIXING (S/P)
19	90864	SCREW, 10-24 X 3/8 (2) (S/P)
21	596669	CLAMP, HOSE (S/P)
22	3357328	HOSE, VACUUM BREAK
23	596669	CLAMP, HOSE (S/P)
24	3347034	BREAK, VACUUM
25	8519200	SUPPORT, REAR PANEL
26	3976399	CONNECTOR, DRAIN HOSE (S/P)
27	356138	CLAMP, HOSE (S/P)
28	3348552	HOSE, PUMP TO DRAIN CONNECTOR
30	371502	CLAMP, HOSE (S/P)
31	660628	CLAMP, HOSE (S/P)
32	285871	HOSE, PUMP TO TUB
36	96435	SCREW, TIMER MOUNTING (10-32 X 1) (2) (S/P)
37	3352167	KNOB, CONTROL (S/P)
39	3359598	PANEL, CONSOLE (S/P)
40	689559	NUT, PUSH-IN (2) (S/P)

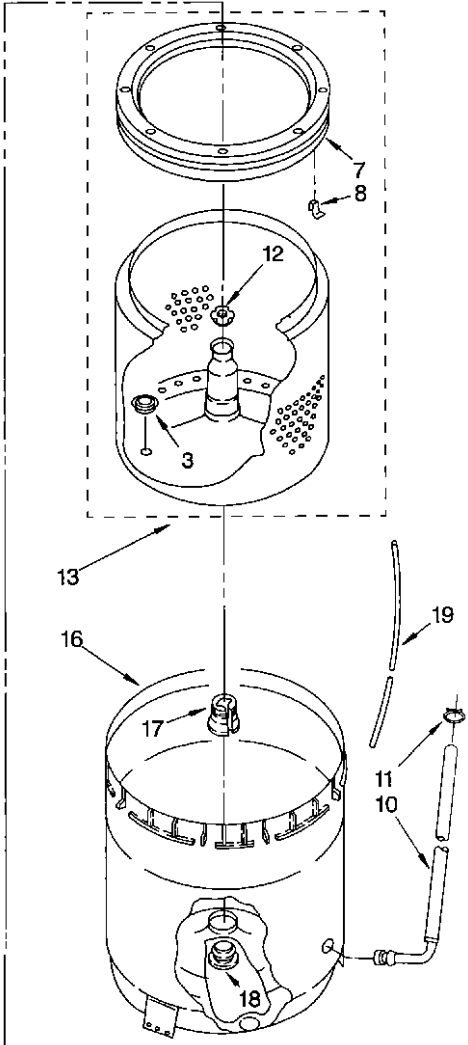
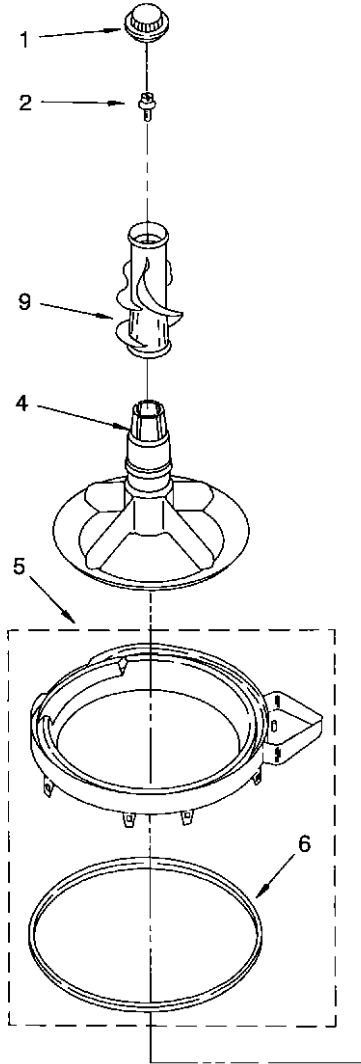
44	280193	KNOB, TIMER
45	3388184	DIAL, TIMER DESCONTINUADO
49	64211	SCREW, 8-18 (2) (PANEL TO TOP) DESCONTINUADO
50	62863	SCREW, 10-16 X 3/8 (S/P)
51	285856	CAP, END (R.H.) (S/P)
55	3357011	SCREW, 10-16 X 1/2 (S/P)
56	3357331	CLAMP, DRAIN HOSE (S/P)

RAB4132AL0 SISTEMA DE AGUA



1	285442	CONNECTOR KIT, PLASTIC DRAIN HOSE (S/P)
2	285321	SLEEVE KIT, (CONTAINS 2 SLEEVES) (S/P)
3	370447	CLAMP, HOSE (S/P)
4	16272	CONNECTOR, STRAIGHT (S/P)
5	285320	SIPHON BREAK KIT (NOT INCLUDED) (S/P)
6	65349	CLAMP, HOSE (S/P)
7	367031	DRAIN PROTECTOR (NOT INCLUDED) (S/P)

RAB4132AL0 TINAS

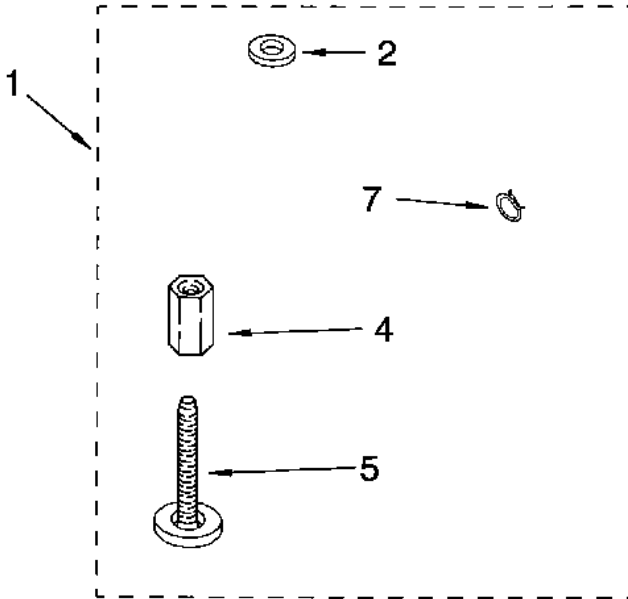




RAB4132AL0 TINAS

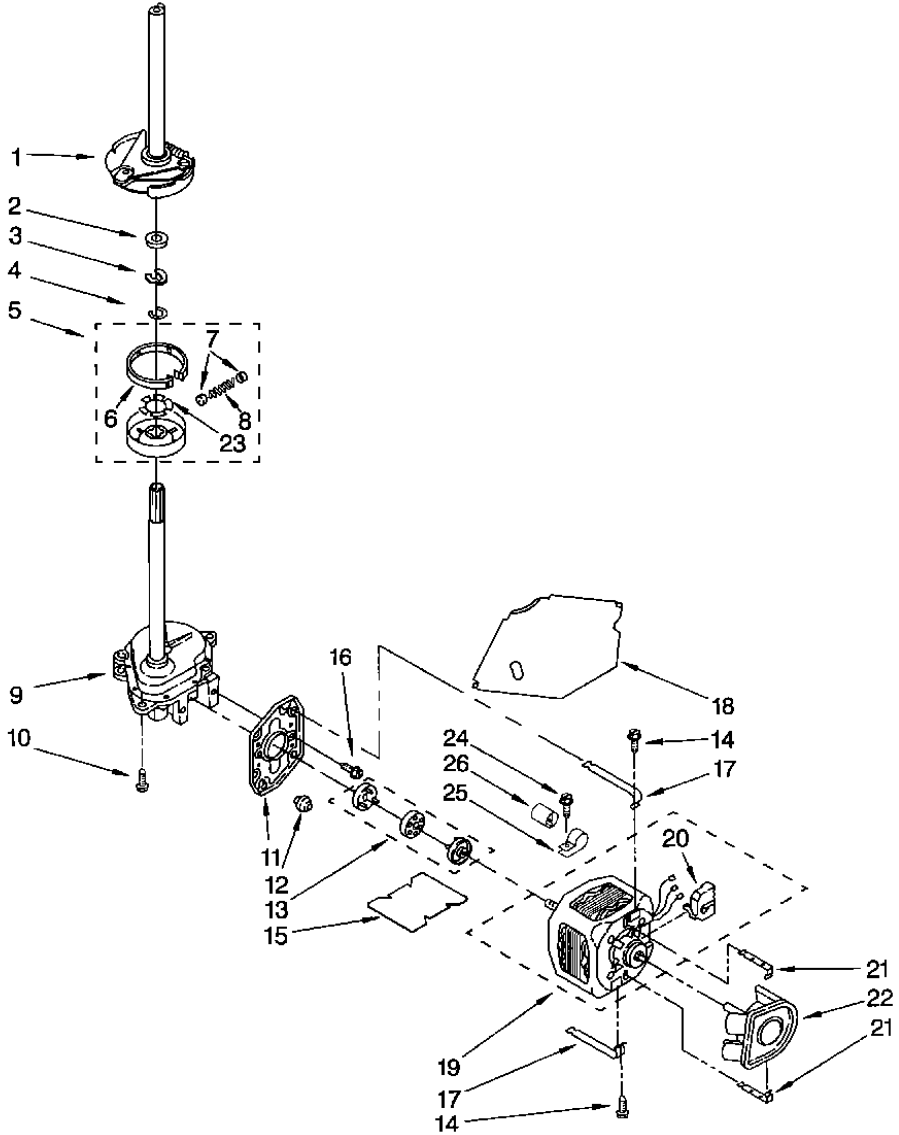
1	3355758	CAP, AGITATOR (S/P)
2	358237	SCREW & WASHER (5-16-24 X 1)
3	285630	SNAP-IN-PLUGS (4) (S/P)
4	387838	AGITATOR
5	3360611	TUB RING & GASKET (S/P)
6	3359586	GASKET, TUB RING
7	8519815	CLIP, BALANCE RING (8) (S/P)
8	3956205	BALANCE RING
9	63753	FILTER, MANUAL
10	63323	HOSE, BLEACH DESCONTINUADO
11	596669	CLAMP, HOSE (S/P)
12	21366	NUT, SPANNER
13	3956207	BASKET (S/P)
16	3361597	TUB (S/P)
17	389140	BLOCK, BASKET DRIVE (S/P)
18	383727	GASKET, CENTER POST
19	353244	HOSE, PRESSURE SWITCH

RAB4132AL0 PATA



1	285609	MISCELLANEOUS PARTS BAG (S/P)
2	16123	WASHER, INLET HOSE (1-1/16 X 5/8) (4) (S/P)
4	62739	NUT, LOCK (2) (3/8-16)
5	389102	FOOT, FRONT (2)
7	356138	CLAMP, HOSE (S/P)

RAB4132AL0 MOTOR





RAB4132AL0 MOTOR

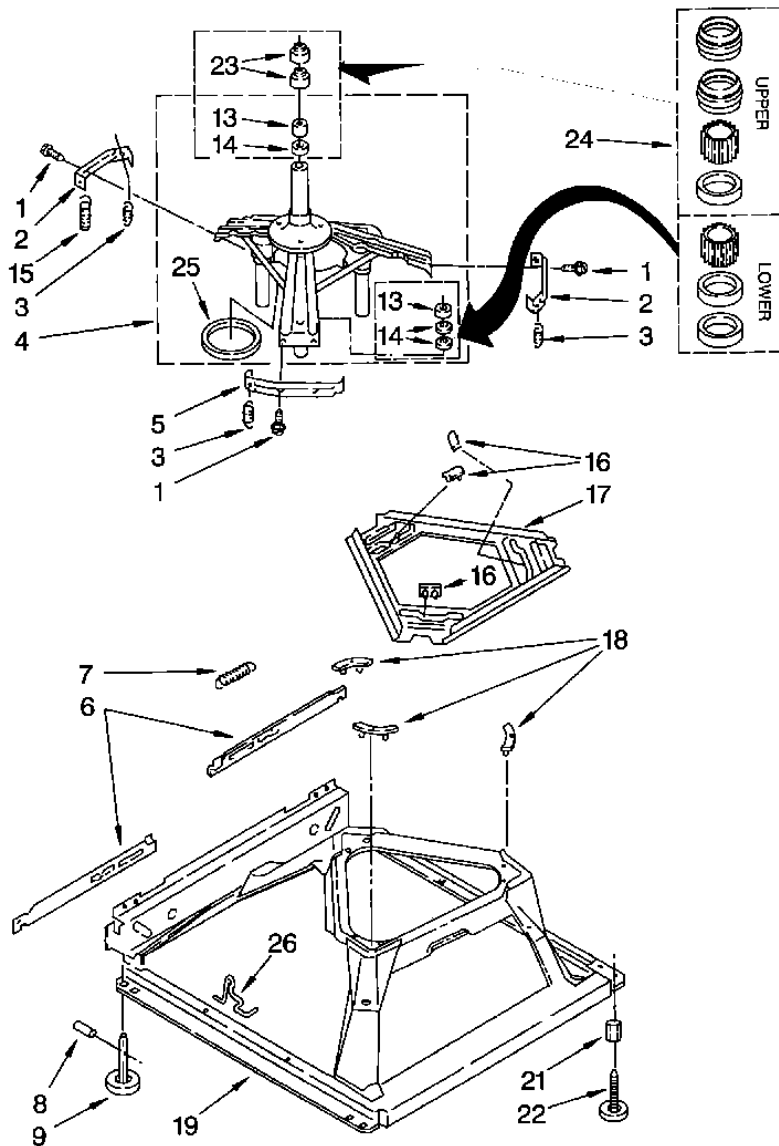
1	285792	BRAKE & DRIVE TUBE (COMPLETE)
2	63292	WASHER, SPIN TUBE THRUST
3	62697	RING, SPIN TUBE SUPPORT
4	285353	RING, RETAINER
5	285785	CLUTCH (COMPLETE)
6	285790	BAND & LINING, CLUTCH (INCLUDES ILLUS. 7 & 8)
7	62646	CAP, CLUTCH SPRING (2) (S/P)
8	285790	SPRING, CLUTCH
9	3360629	GEARCASE (COMPLETE)
10	62735	SCREW, GEARCASE TO BASE (3) (S/P)
11	62611	PLATE, MOTOR MOUNT TO GEARCASE (S/P)
12	62691	GROMMET, MOTOR (4)
13	285753	COUPLING, MOTOR AND ISOLATION (2)
14	3387485	SCREW (2) NO.10-16 X 5/8 (S/P)
15	3946532	SHIELD, MOTOR (S/P)
16	98062	SCREW, 5/16-24 X 5/8 (2) (S/P)
17	3349637	RETAINER, MOTOR (2)
18	3362089	SHIELD, TUB TO MOTOR (S/P)
19	389248	MOTOR, MAIN DRIVE
20	8529896	SWITCH, MAIN DRIVE MOTOR (S/P)
21	62700	RETAINER, PUMP (2)
22	3363394	PUMP (COMPLETE)
23	3355454	CLIP, ANTI-RATTLE (S/P)
24	9420601	SCREW, 10-16 X 5/16 (S/P)
25	357030	CLAMP, CAPACITOR (S/P)
26	8572717	CAPACITOR, START (S/P)

Distribuidor Autorizado

SurteRápido.com

Venta de Refacciones
Electrodomesticas

RAB4132AL0 BASE

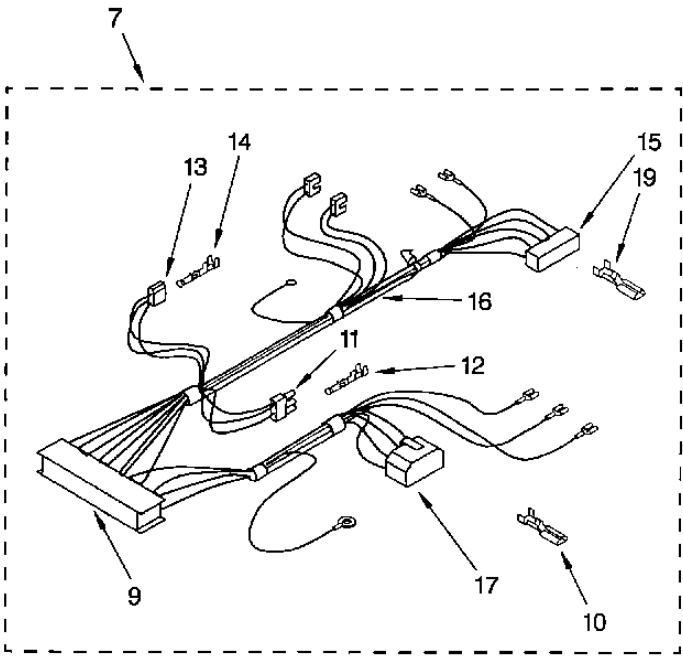
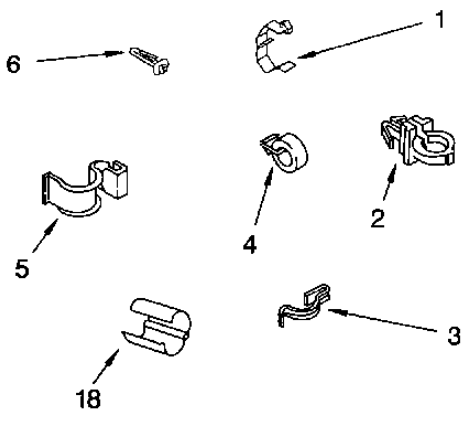




RAB4132AL0 BASE

1	98610	SCREW, BRACKET MOUNTING (10-16 X 5/8) (6) (S/P)
2	64067	BRACKET, SPRING OUTER (2)
3	63907	SPRING, SUSPENSION (3)
4	280184	SUPPORT & BRAKE, TUB (S/P)
5	64065	BRACKET, SPRING OUTER (L.F.)
6	63138	LINK, LEVELING MECHANISM (2) (S/P)
7	8316845	SPRING, LEVELING MECHANISM
8	62837	PIN, KNURLED (S/P)
9	285244	FOOT, REAR (2)
13	8546455	BEARING, CENTERPOST (2) (S/P)
14	359449	SEAL, CENTERPOST (3)
15	388492	SPRING, COUNTERWEIGHT
16	285219	PAD, PLATE
17	3946509	PLATE, SUSPENSION (INCLUDES ILLUS. 16) (S/P)
18	285744	PAD, BASE
19	285459	BASE ASSEMBLY (S/P)
21	62739	NUT, LOCK (3/8-16) (2)
22	389102	FOOT, FRONT (2)
23	91938	SEAL, CENTERPOST (2)
24	285203	CENTERPOST BEARING KIT
25	63134	RING, SOUND DEADENING
26	63806	RETAINER, SUSPENSION SPRING

RAB4132AL0 HARNES

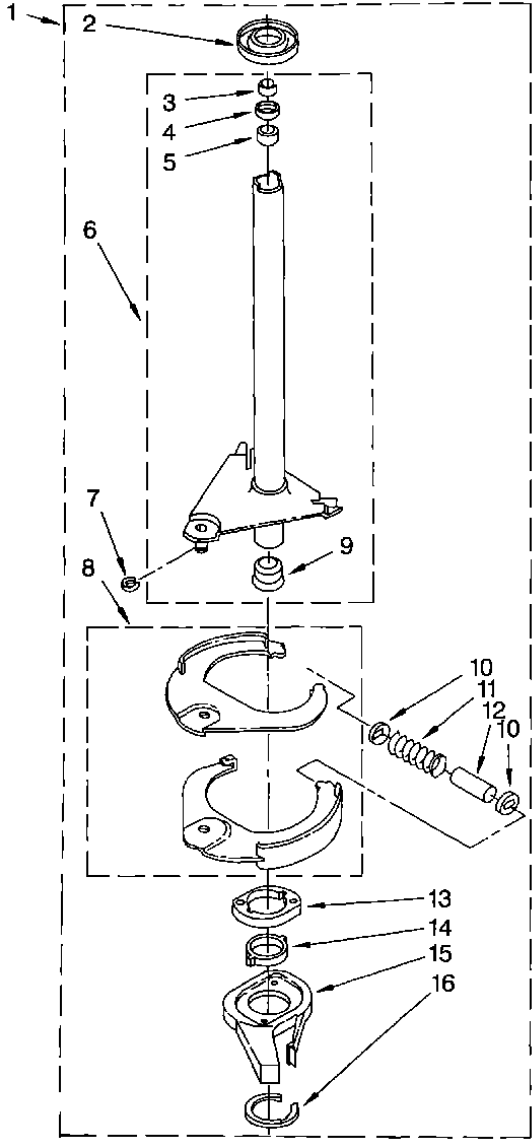




RAB4132AL0 HARNES

1	3349557	CLIP, HARNESS (S/P)
2	388498	CLIP, HARNESS (S/P)
3	98997	CLIP, HARNESS (S/P)
4	3348535	CLIP, HARNESS (3) (S/P)
5	90016	CLIP, HARNESS (S/P)
6	8281256	CLIP, HARNESS (S/P)
7	3359860	WIRING HARNESS & PRESSURE SWITCH HOSE (S/P)
9	3369366	BLOCK, DISCONNECT (BLACK) DESCONTINUADO
10	3369365	TERMINAL, FEMALE DESCONTINUADO
11	62889	RECEPTACLE, TERMINAL (3-WAY) (LID SWITCH) (S/P)
12	94614	TERMINAL, FEMALE (S/P)
13	353424	PLUG, TERMINAL (3-WAY) (POWER CORD) (S/P)
14	596797	TERMINAL, MALE (S/P)
15	62505	BLOCK, DISCONNECT (MOTOR) (S/P)
16	353244	HOSE, PRESSURE SWITCH
17	3347243	CONNECTOR, TEMP. SWITCH (S/P)
18	63523	PROTECTOR, HARNESS (S/P)
19	3371761	TERMINAL (S/P)

RAB4132AL0 FLECHA HUECA





RAB4132ALO FLECHA HUECA

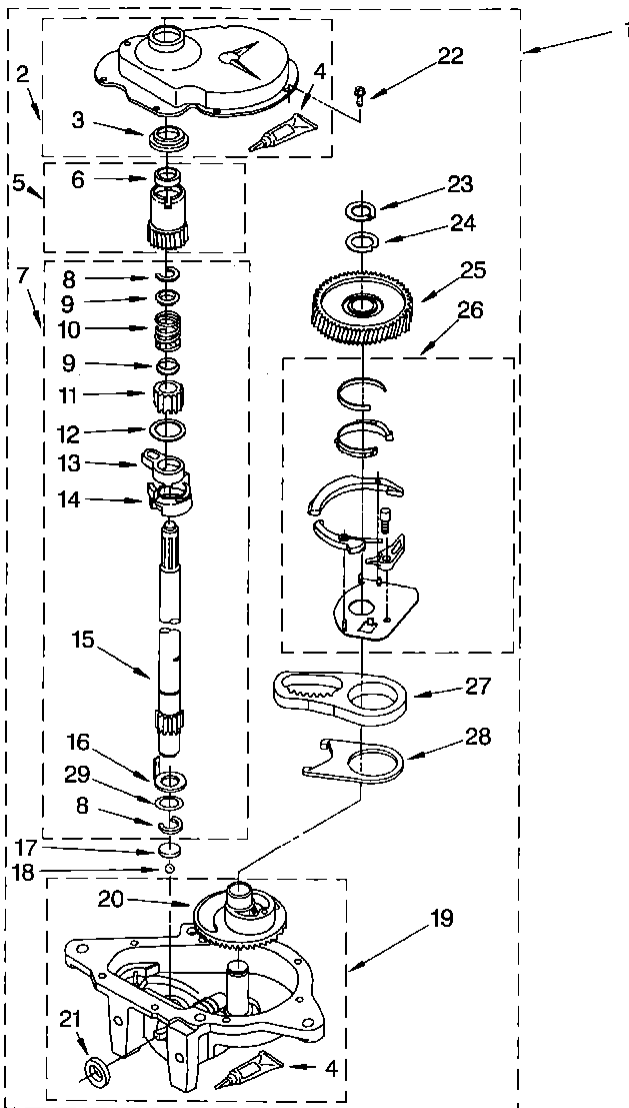
1	285792	BRAKE AND DRIVE TUBE (COMPLETE)
2	62658	RING, THRUST
3	91939	SEAL. OIL
4	356427	SEAL, DRIVE TUBE
5	356937	SPACER, DRIVE TUBE
6	64208	TUBE, BASKET DRIVE (INCLUDES ILLUS. 3, 4, 5, & 9)
7	64035	RING, RETAINING (S/P)
8	285438	SHOE, BRAKE
9	62703	``T`` BEARING, SPIN TUBE
10	285658	CAP, BRAKE SPRING (2) (S/P)
11	62647	SPRING, BRAKE
12	62909	SLEEVE, BRAKE SPRING (S/P)
13	661516	CAM, BRAKE RELEASE
14	63022	SLEEVE, CAM DESCONTINUADO
15	64194	DRIVER, BRAKE CAM
16	90368	RING, RETAINING
16	285208	LUBRICANT (S/P)

Distribuidor Autorizado

SurteRápido.com

Venta de Refacciones
Electrodomesticas

RAB4132AL0 TRANSMISION





RAB4132AL0 TRANSMISION

1	3360629	GEARCASE (COMPLETE)
2	285202	COVER, GEARCASE (S/P)
3	3349985	SEAL, GEARCASE COVER
4	285195	SEALER, GASKET (.20 FL. OZ.) (6 ML) (S/P)
5	285362	PINION, SPIN (INCLUDES ILLUS. 25)
6	356427	SEAL, SPIN PINION
7	389387	SHAFT, AGITSTOR (COMPLETE) (S/P)
8	90369	RING, RETAINING (2)
9	62677	RETAINER, SPRING (2)
10	62676	SPRING, AGITATOR (S/P)
11	285509	GEAR, AGITATOR DESCONTINUADO
12	62619	WASHER, AGITATOR GEAR (S/P)
13	285206	FOLLOWER, CAM
14	285206	CAM, AGITATOR
15	389231	SHAFT, AGITATOR (S/P)
16	62618	WASHER, CAM THRUST
17	285205	BEARING, THRUST
18	285205	BALL, BEARING
19	285515	BOTTOM AND PINION, GEARCASE (S/P)
20	285515	GEAR, MAIN DRIVE (S/P)
21	285352	SEAL, THRUST PLUG
22	90864	SCREW, GEARCASE COVER MOUNTING (8) (S/P)
23	285765	RING, RETAINING
24	285735	WASHER KIT, THRUST (S/P)
25	285362	GEAR, SPIN
26	388253	NEUTRAL ASSEMBLY
27	62534	RACK, CONNECTING (S/P)
28	62621	ACTUATOR, SHIFT
29	388815	WASHER, INTERMEDIATE (S/P)