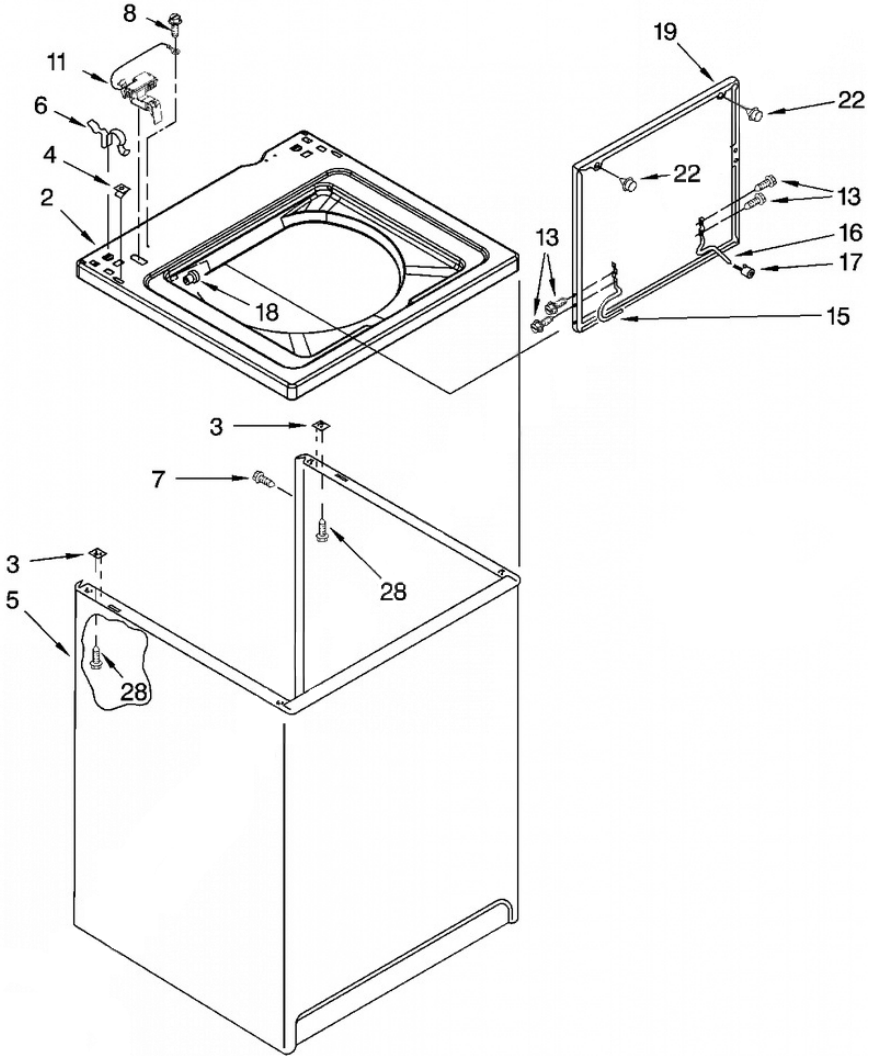


**RAS7133PQ0 GABINETE**





## RAS7133PQ0 GABINETE

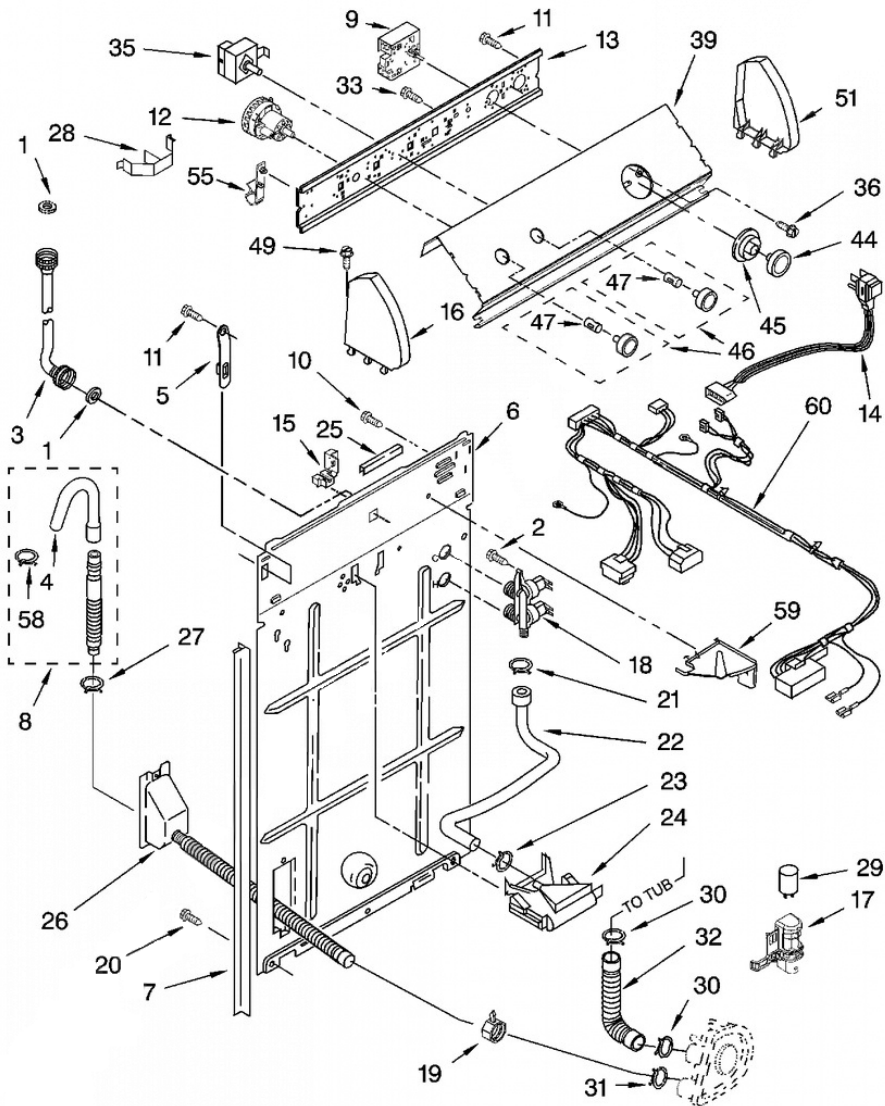
2	8318068	TOP <b>(S/P)</b>
3	62750	SPACER, CABINET TO TOP (4) <b>(S/P)</b>
4	357213	NUT, PUSH-IN (2) <b>(S/P)</b>
5	63424	CABINET <b>(S/P)</b>
6	62780	CLIP, TOP & CABINET & REAR PANEL (2)
7	3357011	SCREW, 10-16 X 1/2 <b>(S/P)</b>
8	3351614	SCREW, GROUND <b>(S/P)</b>
11	8318084	SWITCH, LID
13	3351355	SCREW, LID HINGE MOUNTING (4) <b>(S/P)</b>
15	8318088	HINGE, LID (L.H.) <b>(S/P)</b>
16	54583	HINGE, LID (R.H.) <b>(S/P)</b>
17	19119	BUMPER, LID HINGE <b>(S/P)</b>
18	21258	BEARING, LID HINGE (2) <b>(S/P)</b>
19	3957518	LID <b>(S/P)</b>
22	93770	BUMPER, LID (2)
28	3390631	SCREW 10-16 X 3/8 (4) <b>(S/P)</b>

Distribuidor Autorizado

SurteRápido.com

Venta de Refacciones  
Electrodomesticas

## RAS7133PQ0 TABLERO



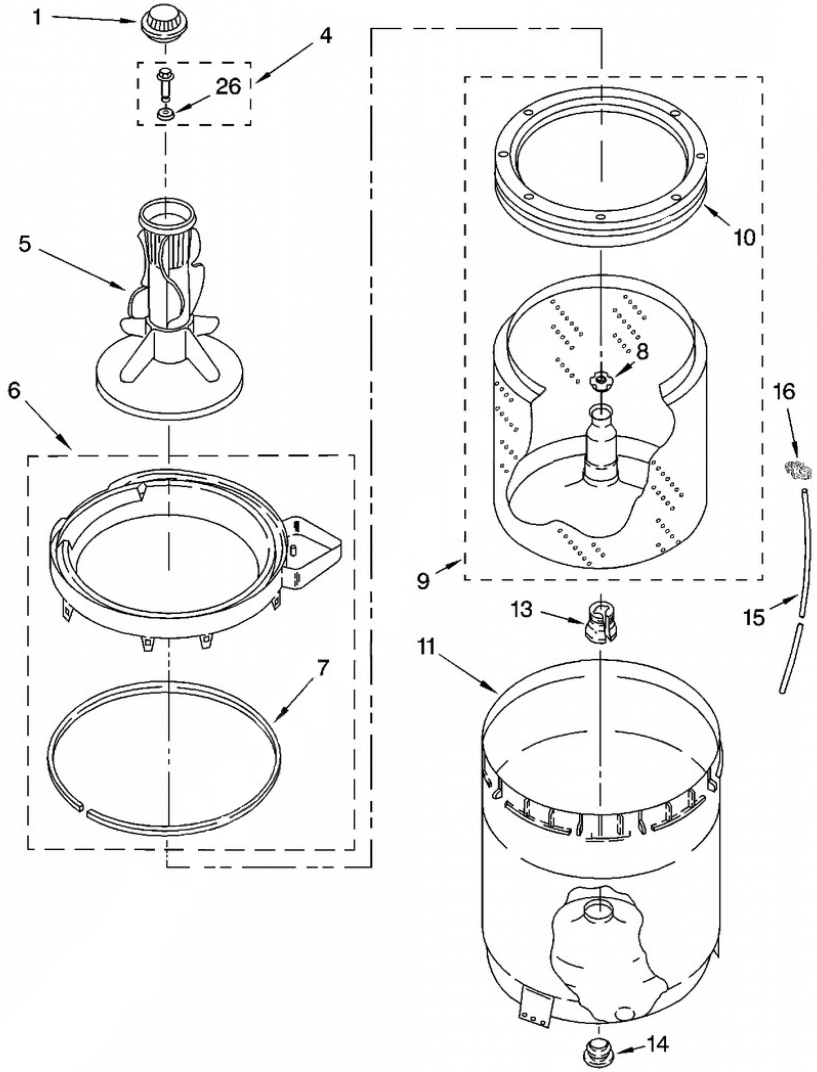


## RAS7133PQ0 TABLERO

1	16123	WASHER, WATER INLET HOSE (4) (1-1/16 X 5/8) <b>(S/P)</b>
2	9740848	SCREW, 8-18 X 1/2 <b>(S/P)</b>
3	89503	HOSE, WATER INLET (2) (RED COUPLER)
4	3357027	NOZZLE-DRAIN HOSE <b>(S/P)</b>
5	8568314	STRAP, CONSOLE (2) <b>(S/P)</b>
6	3357978	PANEL, REAR <b>(S/P)</b>
7	62747	PAD, REAR PANEL <b>(S/P)</b>
8	661577	HOSE, DRAIN (9 FT.) (NOT INCLUDED) <b>(S/P)</b>
8	285702	EXTENSION, DRAIN HOSE (21 INCHES.) <b>(S/P)</b>
8	285664	HOSE, DRAIN (4 FT.)
9	3953935	TIMER, CONTROL (60 HZ.) <b>(S/P)</b>
10	3351614	SCREW, GROUND <b>(S/P)</b>
11	90767	SCREW, 8-18 X 3/8 <b>(S/P)</b>
12	3366848	SWITCH, WATER LEVEL
13	3948608	BRACKET, CONTROL <b>(S/P)</b>
14	285800	CORD, POWER (INCLUDES 15)
15	3952821	STRAIN RELIEF, POWER CORD <b>(S/P)</b>
16	279960	CAP, END (L.H.) <b>(S/P)</b>
17	8318046	CLIP, CAPACITOR <b>(S/P)</b>
18	285805	VALVE, WATER MIXING
19	3976395	CLAMP, HOSE <b>(S/P)</b>
20	62863	SCREW, 10-16 X 3/8 <b>(S/P)</b>
21	596669	CLAMP, HOSE <b>(S/P)</b>
22	3357328	HOSE, VACUUM BREAK
23	596669	CLAMP, HOSE <b>(S/P)</b>
24	3360977	BREAK, VACUUM
25	3367669	EDGE PROTECTOR <b>(S/P)</b>
26	8317940	DRAIN HOSE ASSEMBLY
27	356138	CLAMP, HOSE <b>(S/P)</b>
28	8055003	CLIP, HARNESS & PRESSURE HOSE <b>(S/P)</b>
29	8572717	CAPACITOR, MOTOR START <b>(S/P)</b>
30	616099	CLAMP, HOSE <b>(S/P)</b>
31	285655	CLAMP, HOSE <b>(S/P)</b>

32	285871	HOSE, PUMP TO TUB (INCLUDES 30)
33	3400073	SCREW, GROUND <b>(S/P)</b>
35	661612	SWITCH, WATER TEMPERATURE
36	3400064	SCREW, TIMER MOUNTING (2) <b>(S/P)</b>
39	3956970	PANEL, CONSOLE <b>(S/P)</b>
44	8543269	KNOB, TIMER <b>(S/P)</b>
45	8557457	DIAL, TIMER <b>(S/P)</b>
46	8557459	KNOB, CONTROL <b>(S/P)</b>
47	8536939	CLIP, KNOB <b>(S/P)</b>
49	388326	SCREW, CONSOLE (PANEL TO TOP) <b>(S/P)</b>
51	279960	CAP, END (R.H.) <b>(S/P)</b>
55	8317975	RETAINER, HARNESS <b>(S/P)</b>
58	3357331	CLAMP, DRAIN HOSE <b>(S/P)</b>
59	8539874	SHIELD, SUDS <b>(S/P)</b>
60	3957025	HARNESS, WIRING <b>(S/P)</b>

**RAS7133PQ0 TINAS**

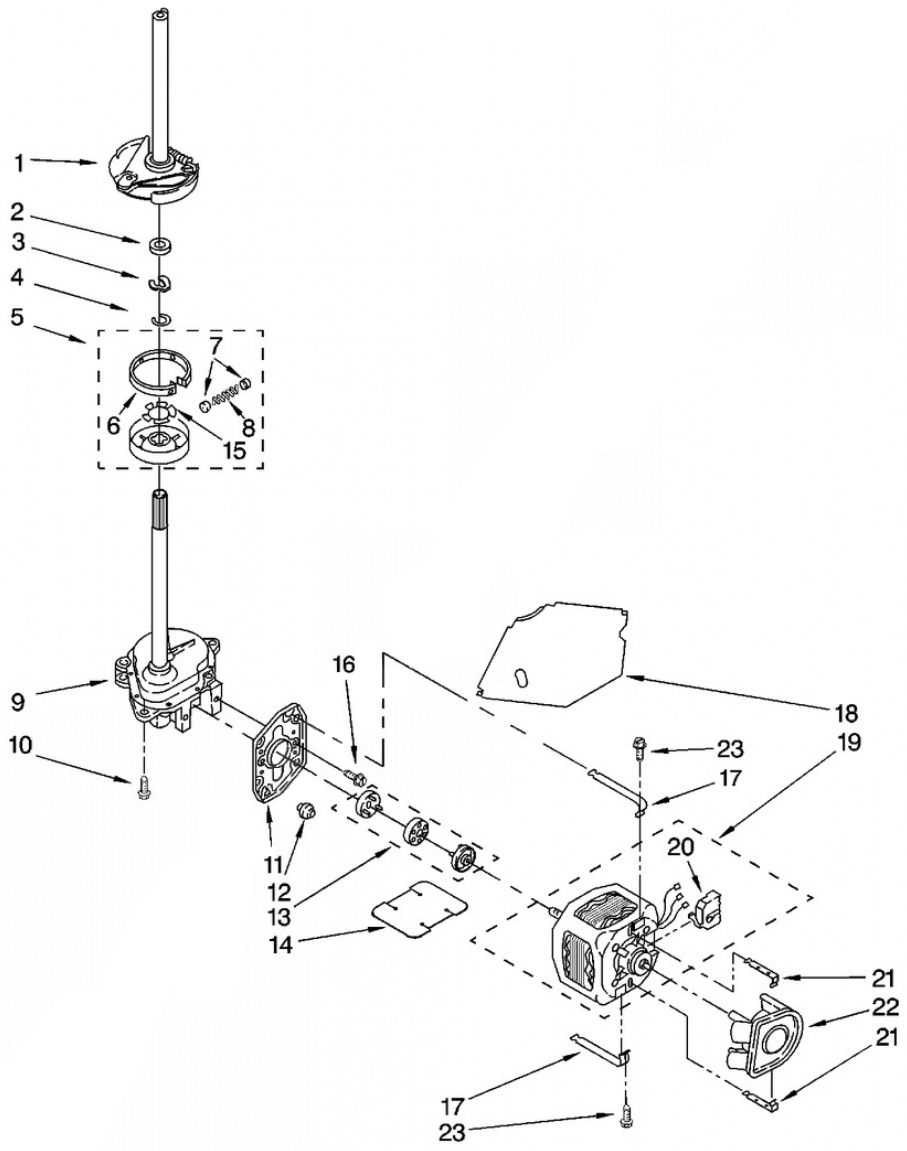




## RAS7133PQ0 TINAS

1	3428527	CAP, AGITATOR (S/P)
4	358237	SCREW & WASHER
5	63235	AGITATOR (S/P)
6	8528150	TUB RING (S/P)
7	3976308	GASKET, TUB RING
8	21366	NUT, SPANNER
9	8526017	BASKET & BALANCE RING (S/P)
10	387240	BALANCE RING
11	63849	TUB (S/P)
13	389140	BLOCK, DRIVE
14	383727	GASKET, CENTERPOST
15	353244	HOSE, PRESSURE SWITCH
16	2219077	CLIP, PRESSURE SWITCH HOSE (S/P)
26	3949550	WASHER (S/P)

**RAS7133PQ0 MOTOR**







## RAS7133PQ0 MOTOR

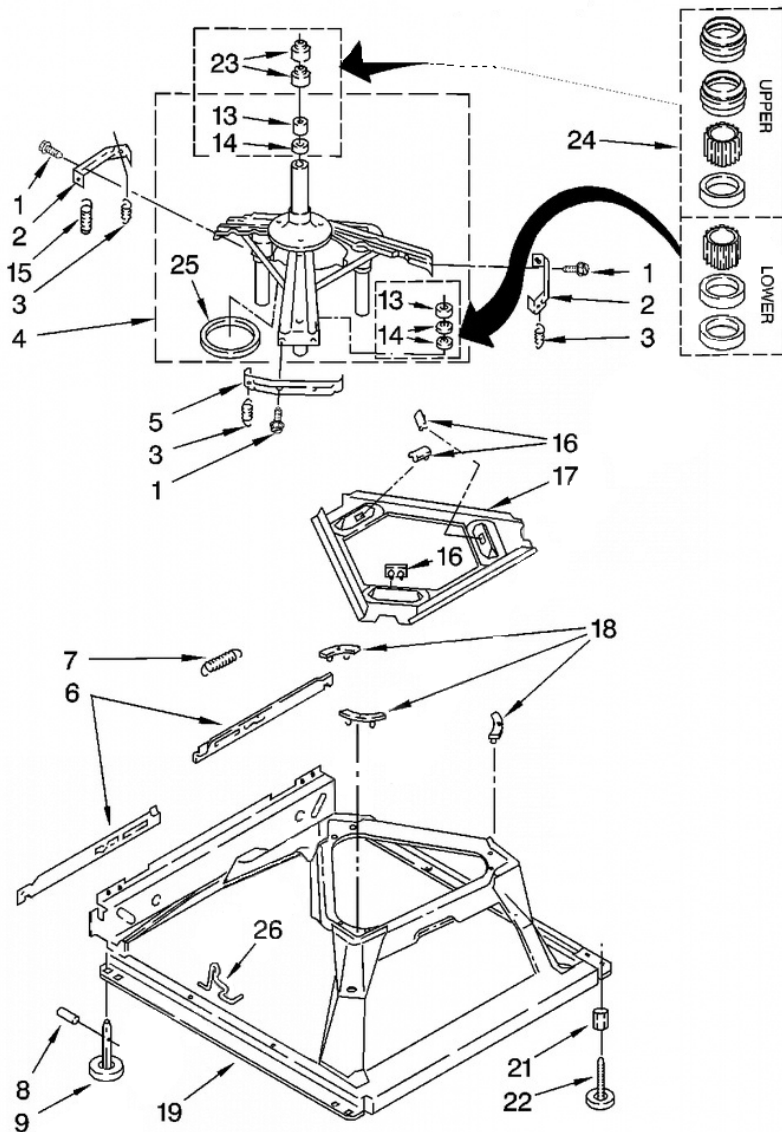
1	285792	BRAKE & DRIVE TUBE (COMPLETE)
2	63292	WASHER, SPIN TUBE THRUST
3	62697	RING, SPIN TUBE SUPPORT
4	285353	RING, RETAINER
5	285785	CLUTCH (COMPLETE)
6	285790	BAND & LINING, CLUTCH (INCLUDES ILLUS. 7 & 8)
7	62646	CAP, CLUTCH SPRING (2) <b>(S/P)</b>
8	3946792	SPRING, CLUTCH <b>(S/P)</b>
9	3360629	GEARCASE (COMPLETE)
10	3357334	SCREW, GEARCASE TO BASE (3) <b>(S/P)</b>
11	62611	PLATE, MOTOR MOUNT TO GEARCASE <b>(S/P)</b>
12	62691	GROMMET, MOTOR (4)
13	285753	COUPLING, MOTOR AND ISOLATION
14	3946532	SHIELD, MOTOR <b>(S/P)</b>
15	3355454	CLIP, ANTI-RATTLE <b>(S/P)</b>
16	3400516	SCREW <b>(S/P)</b>
17	3349637	RETAINER, MOTOR (2)
18	3362089	SHIELD, TUB TO MOTOR <b>(S/P)</b>
19	8528158	MOTOR, MAIN DRIVE <b>(S/P)</b>
20	3952056	SWITCH, MAIN DRIVE MOTOR <b>(S/P)</b>
21	62700	RETAINER, PUMP (2)
22	3363394	PUMP (COMPLETE)
23	3387485	SCREW, 10-16 X 5/8 <b>(S/P)</b>

Distribuidor Autorizado

SurteRápido.com

Venta de Refacciones  
Electrodomesticas

# RAS7133PQ0 BASE

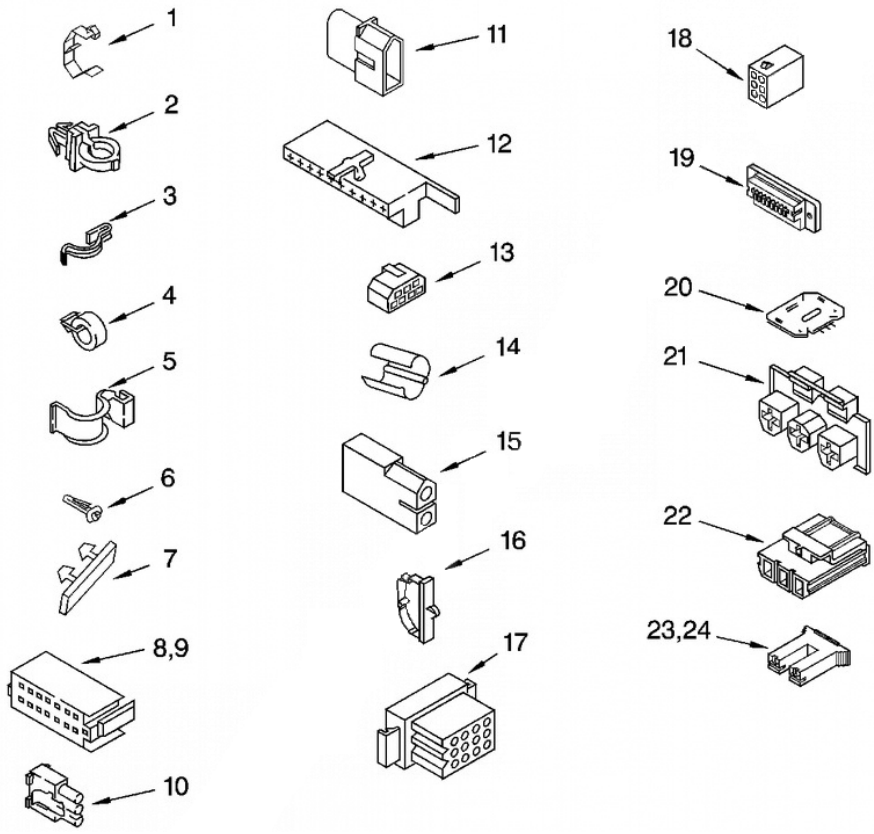




## RAS7133PQ0 BASE

1	3400076	SCREW, BRACKET MOUNTING (10-32 X 5/8) <b>(S/P)</b>
2	64067	BRACKET, SPRING OUTER (2)
3	63907	SPRING, SUSPENSION (3)
4	280184	SUPPORT & BRAKE, TUB <b>(USE 63740)</b>
5	64065	BRACKET, SPRING OUTER (L.F.)
6	63466	LINK, LEVELING MECHANISM (2) <b>(S/P)</b>
7	8316845	SPRING, LEVELING MECHANISM
8	62837	PIN, KNURLED <b>(S/P)</b>
9	285244	FOOT, REAR (2)
13	8546455	BEARING, CENTERPOST (2) <b>(S/P)</b>
14	359449	SEAL, CENTERPOST (3)
15	388492	SPRING, COUNTERWEIGHT
16	285219	PAD, PLATE
17	3946509	PLATE, SUSPENSION (INCLUDES ILLUS. 16) <b>(S/P)</b>
18	285744	PAD, BASE
19	285771	BASE ASSEMBLY
21	3359452	NUT, LOCK (2) (3/8-16) <b>(S/P)</b>
22	389102	FOOT, FRONT (2)
23	91938	SEAL, CENTERPOST (2)
24	285203	CENTERPOST BEARING KIT
25	63134	RING, SOUND DEADENING
26	63806	RETAINER, SUSPENSION SPRING

**RAS7133PQ0 HARNES**

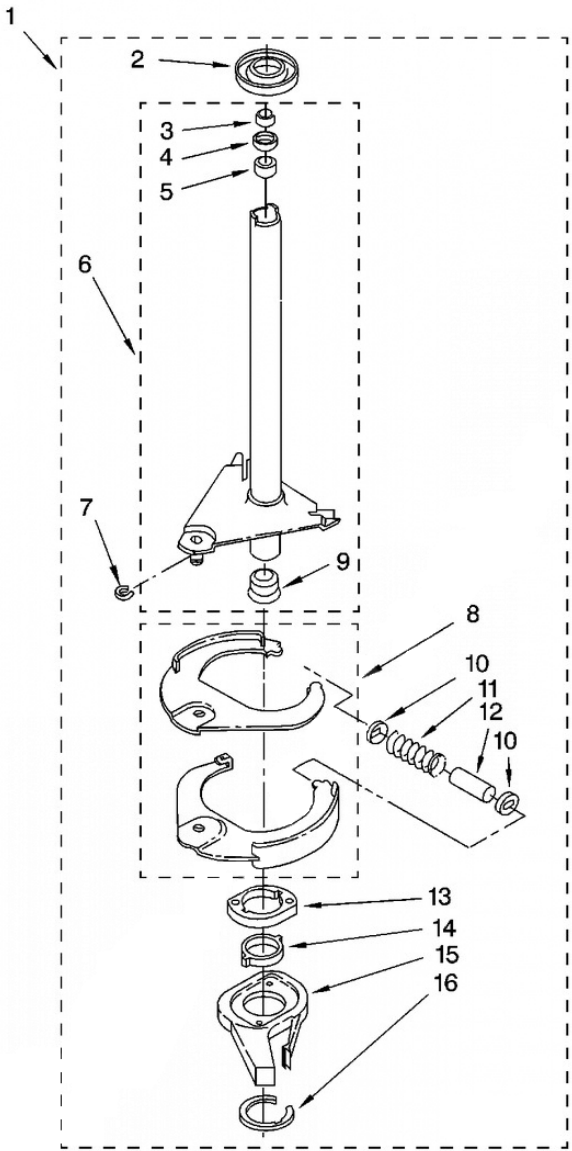




## RAS7133PQ0 HARNES

1	3349557	CLIP, HARNESS (S/P)
2	388498	CLIP, HARNESS <b>DESCONTINUADO</b>
3	8528351	CLIP, HARNESS (S/P)
4	3348535	CLIP, HARNESS (S/P)
5	90016	CLIP, HARNESS (S/P)
6	8281256	CLIP, HARNESS (S/P)
7	389379	RETAINER, (SUDS MODELS) (S/P)
8	3948614	TIMER, BLOCK DISCONNECT (WHITE) (S/P)
9	352089	TIMER, BLOCK DISCONNECT (BLACK) (S/P)
10	62889	RECEPTACLE, TERMINAL (3-WAY) (S/P)
11	353424	PLUG, TERMINAL (3-WAY) (POWER CORD) (S/P)
12	62505	BLOCK, DISCONNECT (MOTOR 2 SPEED) (S/P)
13	3347243	BLOCK, DISCONNECT (USE TERM. 352088) (S/P)
14	63523	PROTECTOR (S/P)
15	717252	CONNECTOR (2-WAY) (USE TERM.94614) (S/P)
16	3352944	CLIP, HARNESS (S/P)
17	3390423	BLOCK, DISCONNECT (12-WAY) (TIMER) (S/P)
18	3347730	RECEPTACLE (6-WAY) <b>DESCONTINUADO</b>
19	3349494	CONNECTOR, ETC (S/P)
20	3955728	E.T.C. CONTROL
21	3948617	CONNECTOR (T.P.A.) (3-CIRCUIT) (S/P)
22	3360056	CONNECTOR (T.P.A) (3-CIRCUIT) (S/P)
23	3354925	BLOCK, CONNECTOR (COLD VALVE) (S/P)
24	3354926	BLOCK, CONNECTOR (HOT VALVE) (S/P)

**RAS7133PQ0 FLECHA HUECA**





## RAS7133PQ0 FLECHA HUECA

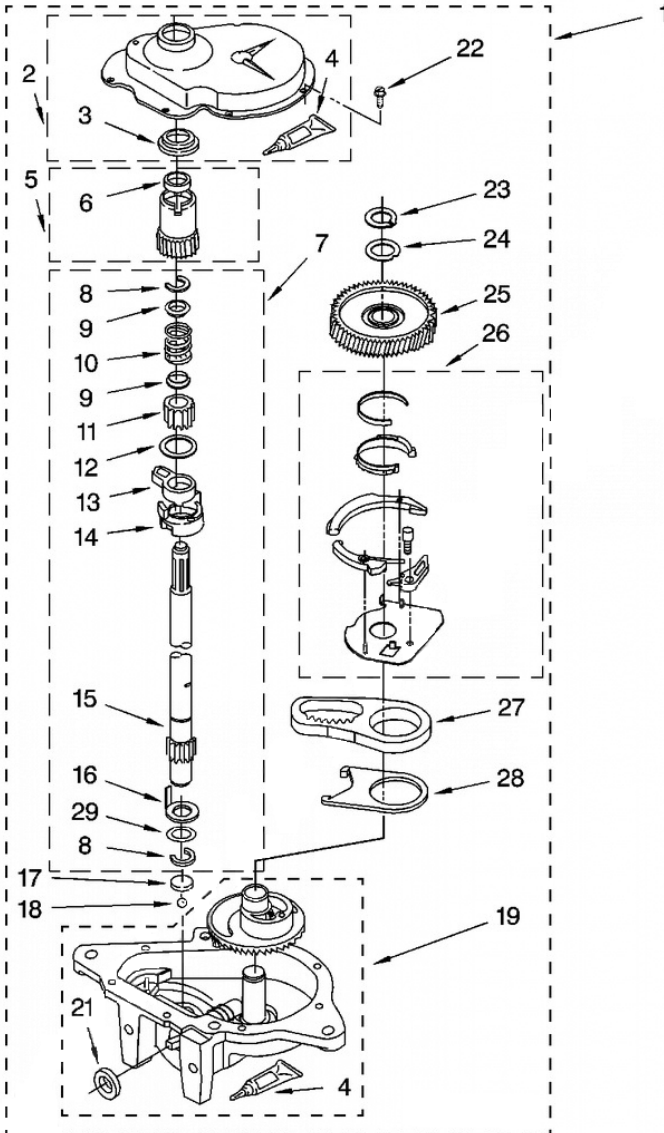
1	285792	BRAKE AND DRIVE TUBE (COMPLETE)
2	62658	RING, THRUST
3	91939	SEAL, OIL
4	356427	SEAL, DRIVE TUBE
5	356937	SPACER, DRIVE TUBE
6	64208	TUBE, BASKET DRIVE (INCLUDES ILLUS. 3, 4, 5 & 9)
7	64035	RING, RETAINING <b>(S/P)</b>
8	285438	SHOE, BRAKE
9	62703	``T`` BEARING, SPIN TUBE
10	285658	CAP, BRAKE SPRING (2) <b>(S/P)</b>
11	387806	SPRING, BRAKE
12	285658	SLEEVE, BRAKE SPRING <b>(S/P)</b>
13	285283	CAM, BRAKE RELEASE
14	63022	SLEEVE, CAM <b>DESCONTINUADO</b>
15	64194	DRIVER, BRAKE CAM
16	90368	RING, RETAINING
16	285208	LUBRICANT <b>(S/P)</b>

Distribuidor Autorizado

SurteRápido.com

Venta de Refacciones  
Electrodomesticas

# RAS7133PQ0 TRANSMISION



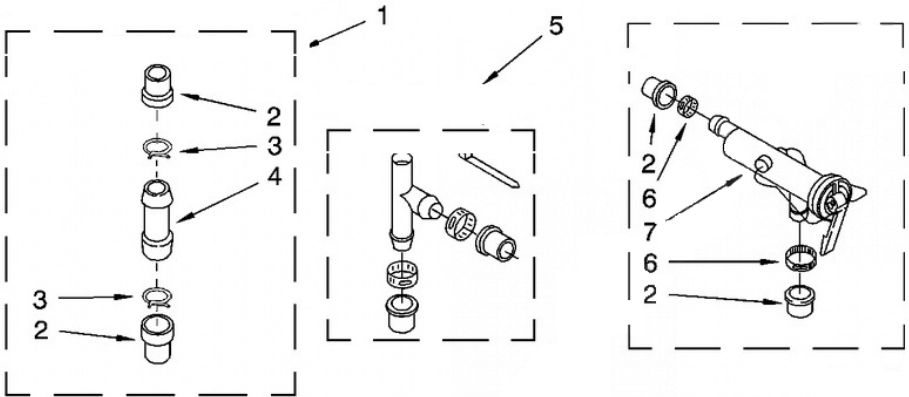




## RAS7133PQ0 TRANSMISION

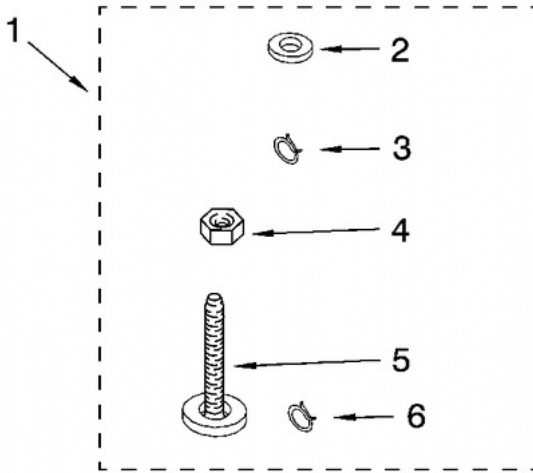
1	3360629	GEARCASE (COMPLETE)
2	285202	COVER, GEARCASE (S/P)
3	3349985	SEAL, GEARCASE COVER
4	285195	SEALER, GASKET (.20 FL. OZ.) (6 ML) (S/P)
5	285362	PINION, SPIN (INCLUDES ILLUS. 25)
6	356427	SEAL, SPIN PINION
7	389387	SHAFT, AGITATOR (COMPLETE) (S/P)
8	90369	RING, RETAINING (2)
9	62677	RETAINER, SPRING
10	62676	SPRING, AGITATE (S/P)
11	285509	GEAR, AGITATE <b>DESCONTINUADO</b>
12	62619	WASHER, AGITATE GEAR (S/P)
13	285206	CAM FOLLOWER (INCLUDES 14)
14	285206	CAM, AGITATE (INCLUDES 13)
15	285509	SHAFT, AGITATOR <b>DESCONTINUADO</b>
16	62618	WASHER, CAM THRUST
17	285205	BEARING, THRUST
18	285205	BALL, BEARING
19	285515	BOTTOM AND PINION, GEARCASE (S/P)
21	285352	SEAL, THRUST PLUG
22	3351614	SCREW, GEARCASE COVER, MOUNTING (8) (S/P)
23	285765	RING, RETAINING
24	285735	WASHER KIT, THRUST (S/P)
25	285362	GEAR, SPIN
26	388253	NEUTRAL ASSEMBLY
27	3949609	RACK, CONNECTING
28	62621	ACTUATOR, SHIFT
29	388815	WASHER, INTERMEDIATE (S/P)

**RAS7133PQ0 SISTEMA DE AGUA**



1	285442	CONNECTOR KIT, PLASTIC DRAIN HOSE (S/P)
2	285321	SLEEVE KIT, (CONTAINS 2 SLEEVES) (S/P)
3	285655	CLAMP, HOSE (S/P)
4	16272	CONNECTOR, STRAIGHT (S/P)
5	285320	SIPHON BREAK KIT (NOT INCLUDED) (S/P)
6	285655	CLAMP, HOSE (S/P)
7	367031	DRAIN PROTECTOR (NOT INCLUDED) (S/P)

**RAS7133PQ0 PATA**



1	3976263	MISCELLANEOUS PARTS BAG (S/P)
2	3976300	WASHER, INLET HOSE (4) (1-1/16 X 5/8) (S/P)
3	3366913	CLAMP, HOSE (S/P)
4	3359452	NUT, LOCK (2) (3/8-16) (S/P)
5	389102	FOOT, FRONT (2)
6	350572	OIL, GEARCASE (16 OZ.) (S/P)