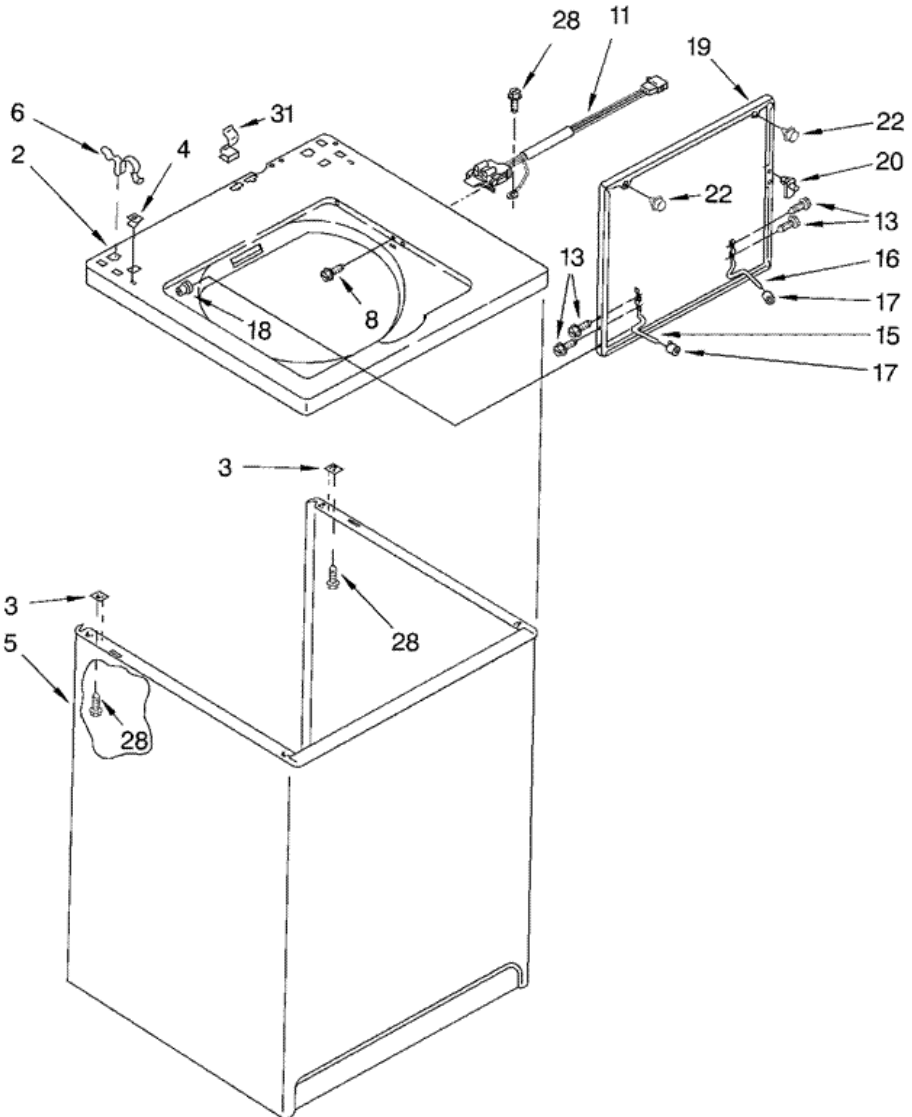


RAS7233JQ0 GABINETE





RAS7233JQ0 GABINETE

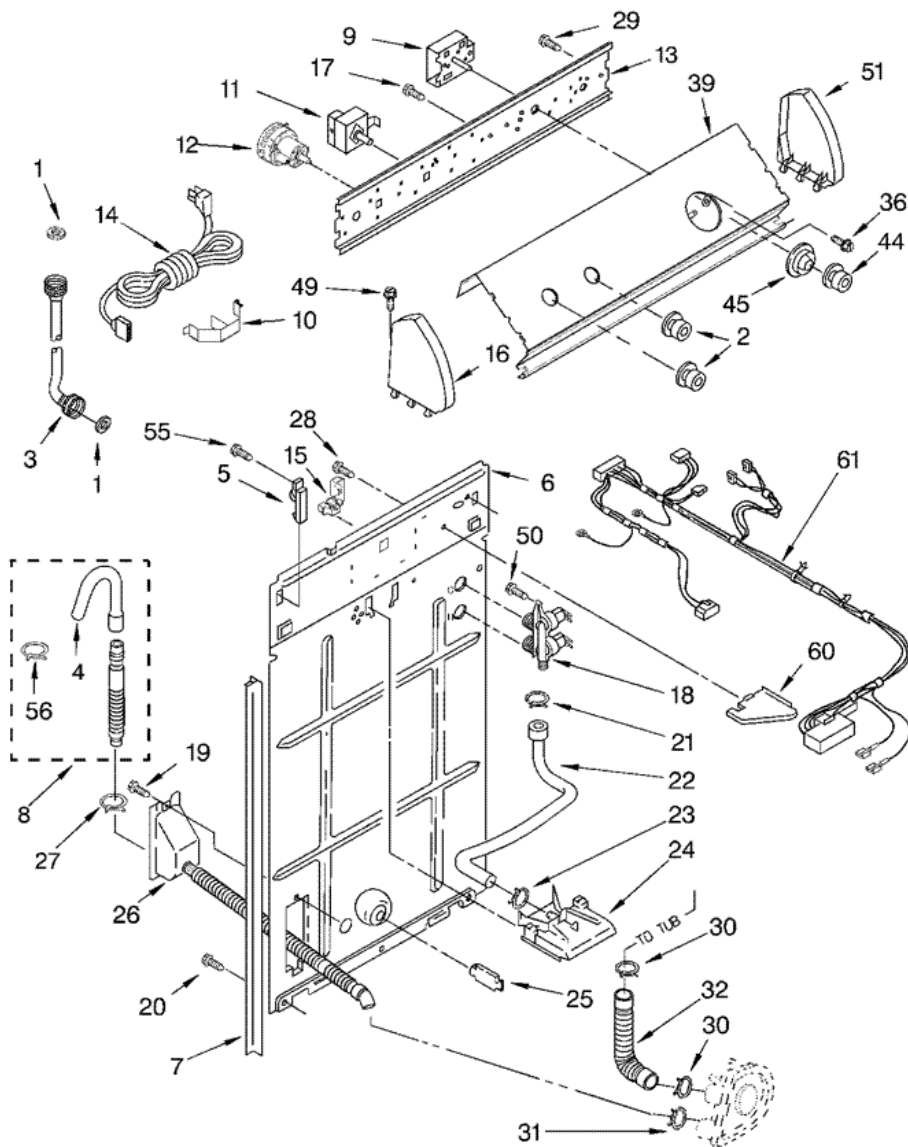
2	8274315	TOP DESCONTINUADO
3	62750	SPACER, CABINET TO TOP (4) (S/P)
4	357213	NUT, PUSH-IN (2) (S/P)
5	63424	CABINET (S/P)
6	62780	CLIP, TOP & CABINET & REAR PANEL (2)
8	3356311	SCREW & WASHER, LID SWITCH (2) (S/P)
11	3949237	SWITCH, LID
13	3351355	SCREW, LID HINGE MOUNTING (4) (S/P)
15	54584	HINGE, LID (L.H.) (S/P)
16	54583	HINGE, LID (R.H.) (S/P)
17	19119	BUMPER, LID HINGE (S/P)
18	21258	BEARING, LID HINGE (2) (S/P)
19	3361412	LID (S/P)
20	358684	STRIKE, LID SWITCH
22	9724509	BUMPER, LID (2)
28	3390631	SCREW, 10-16 X 3/8 (5) (S/P)
31	90016	CLIP, HARNESS (S/P)

Distribuidor Autorizado

SurteRápido.com

Venta de Refacciones
Electrodomesticas

RAS7233JQ0 TABLERO



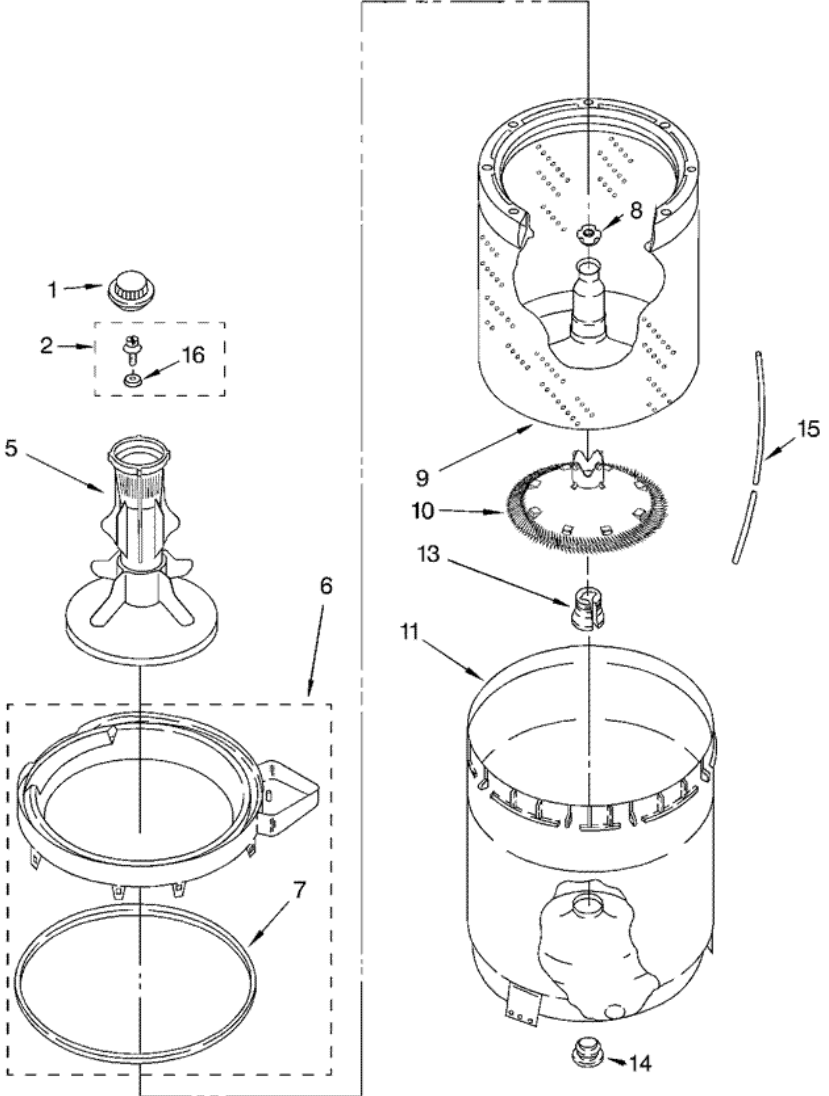


RAS7233JQ0 TABLERO

1	16123	WASHER, WATER INLET HOSE (4) (1-1/16 X 5/8) (S/P)
2	8274378	KNOB, CONTROL (S/P)
3	89503	HOSE, WATER INLET (2) (RED COUPLER)
4	3357027	NOZZLE-DRAIN HOSE (S/P)
5	387402	HINGE, CONSOLE (2)
6	3357978	PANEL, REAR (S/P)
7	62747	PAD, REAR PANEL (S/P)
8	285664	HOSE, DRAIN (4 FT.)
8	285702	EXTENSION, DRAIN HOSE (21 INCHES.) (S/P)
8	661577	HOSE, DRAIN (9 FT.) (NOT INCLUDED) (S/P)
9	3953146	TIMER, CONTROL (60 HZ.)
10	8055003	CLIP, HARNESS & PRESSURE HOSE (S/P)
11	W10168256	SWITCH, ROTARY (TEMPERATURE)
12	3366848	SWITCH, WATER LEVEL
13	3948608	BRACKET, CONTROL (S/P)
14	285800	CORD, POWER (S/P)
15	285777	STRAIN RELIEF, POWER CORD (S/P)
16	279960	CAP, END (L.H.) (S/P)
17	3400073	SCREW, GROUND (CONSOLE) (S/P)
18	285805	VALVE, WATER MIXING
19	90864	SCREW, 10-24 X 3/8 (2) (S/P)
20	62863	SCREW, 10-16 X 3/8 (S/P)
21	596669	CLAMP, HOSE (S/P)
22	3357328	HOSE, VACUUM BREAK
23	596669	CLAMP, HOSE (S/P)
24	3360977	BREAK, VACUUM
25	8519200	SUPPORT, REAR PANEL
26	8317940	HOSE-CORRUGATED ASSEMBLY
27	356138	CLAMP, HOSE (S/P)
28	3351614	SCREW, 10-24 X 3/8 (S/P)
29	90767	SCREW, 8-18 X 3/8 (S/P)
30	616099	CLAMP, HOSE (S/P)
31	285655	CLAMP, HOSE (S/P)

32	285871	HOSE, PUMP TO TUB (INCLUDES NO.30)
36	3400808	SCREW, TIMER MOUNTING (S/P)
39	3954255	PANEL, CONSOLE (S/P)
44	3957821	KNOB, TIMER (S/P)
45	3957844	DIAL, TIMER (S/P)
49	388326	SCREW, 8-18 X 1.25 (PANEL TO TOP) (S/P)
50	9740848	SCREW (S/P)
51	279960	CAP, END (R.H.) (S/P)
55	3390647	SCREW (S/P)
56	3357331	CLAMP, DRAIN HOSE (S/P)
60	8539874	SHEILD, SUDS (S/P)
61	3953617	HARNESS, WIRING (S/P)

RA57233JQ0 TINAS

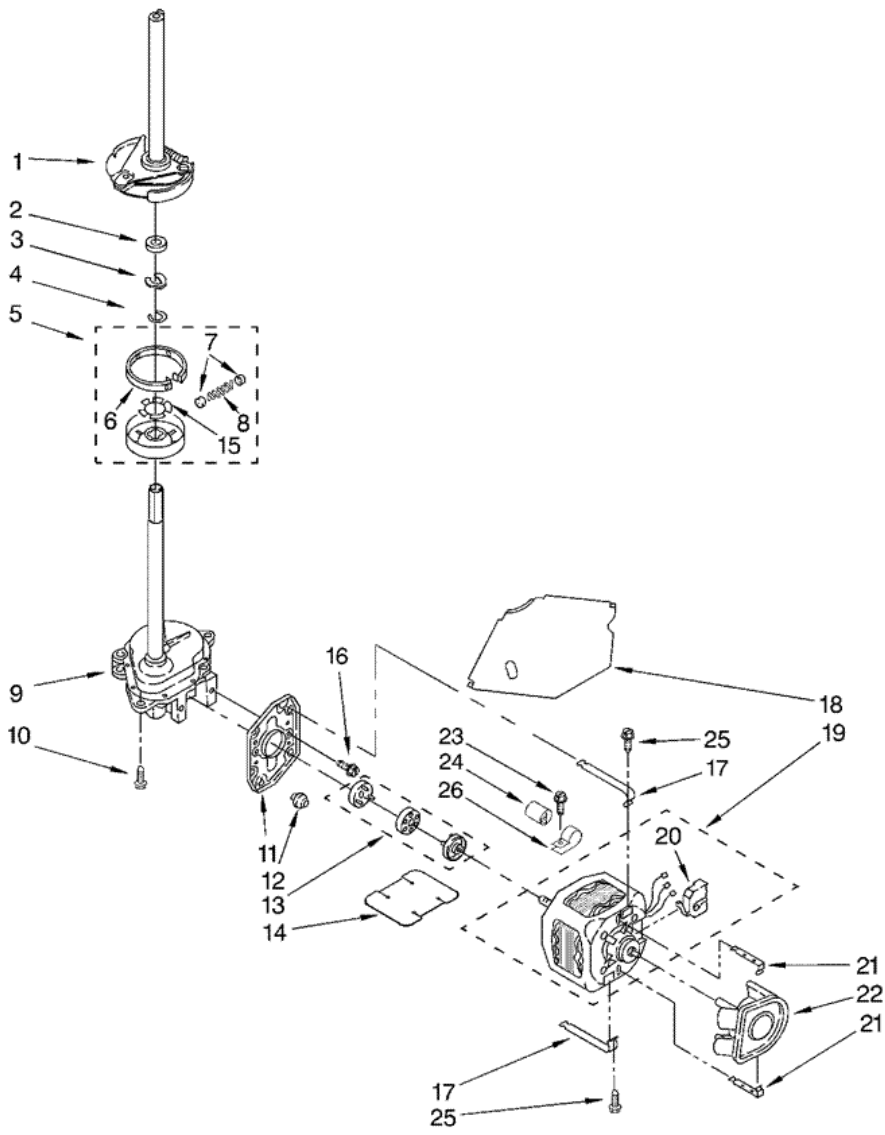




RAS7233JQ0 TINAS

1	3428527	CAP, AGITATOR (S/P)
2	358237	SCREW & WASHER
5	63235	AGITATOR
6	8528150	TUB RING (S/P)
7	3976308	GASKET, TUB RING
8	21366	NUT, SPANNER
9	85226017	BASKET AND BALANCE RING (S/P)
10	285868	PLATE, FILTER
11	63849	TUB (S/P)
13	389140	BLOCK, DRIVE
14	383727	GASKET, CENTER POST
15	353244	HOSE, PRESSURE SWITCH
16	3949550	WASHER (S/P)

RAS7233JQ0 MOTOR





RAS7233JQ0 MOTOR

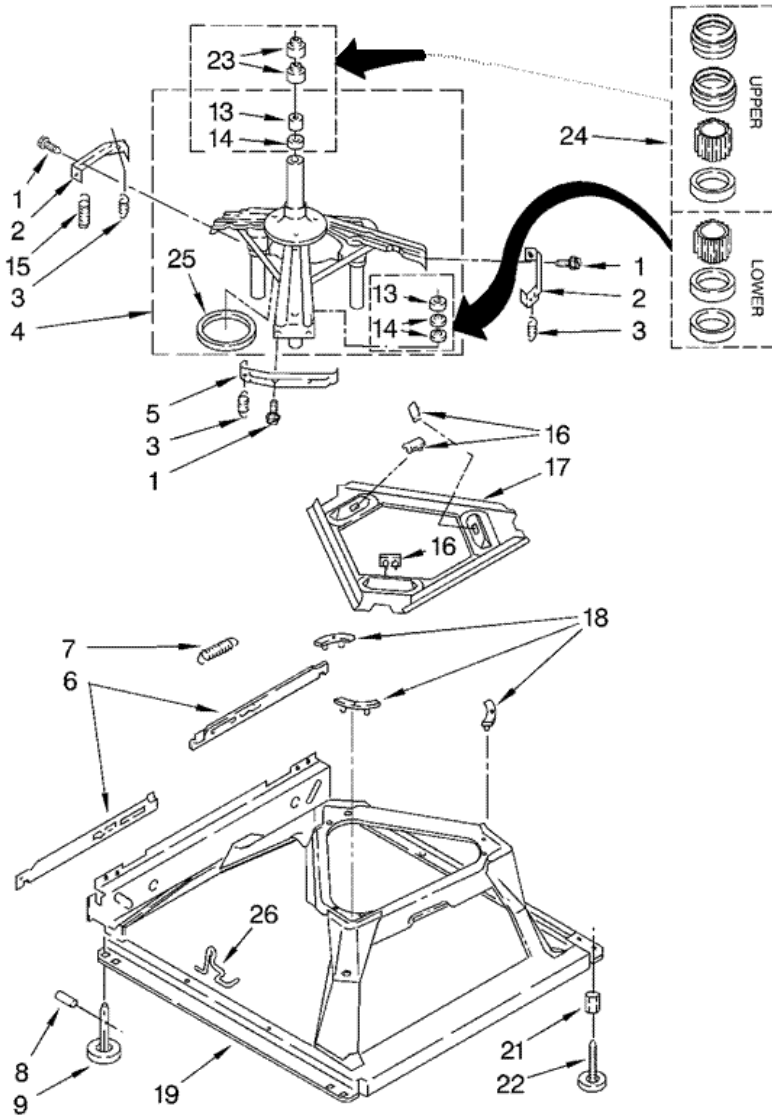
1	285792	BRAKE & DRIVE TUBE (COMPLETE)
2	63292	WASHER, SPIN TUBE THRUST
3	62697	RING, SPIN TUBE SUPPORT
4	285353	RING, RETAINER
5	285785	CLUTCH (COMPLETE)
6	285790	BAND & LINING, CLUTCH (INCLUDES ILLUS. 7 & 8)
7	62646	CAP, CLUTCH SPRING (2) (S/P)
8	3946792	SPRING, CLUTCH (S/P)
9	3360629	GEARCASE (COMPLETE)
10	3357334	SCREW, GEARCASE TO BASE (3) (S/P)
11	62611	PLATE, MOTOR MOUNT TO GEARCASE (S/P)
12	62691	GROMMET, MOTOR (4)
13	285753	COUPLING, MOTOR AND ISOLATION
14	3946532	SHIELD, MOTOR (S/P)
15	3355454	CLIP, ANTI-RATTLE (S/P)
16	3400516	SCREW (S/P)
17	3349637	RETAINER, MOTOR (2)
18	3362089	SHIELD, TUB TO MOTOR (S/P)
19	389248	MOTOR, MAIN DRIVE
20	8529896	SWITCH, MAIN DRIVE MOTOR (S/P)
21	62700	RETAINER, PUMP (2)
22	3363394	PUMP (COMPLETE)
23	62863	SCREW, 10-16 X 3/8 (S/P)
24	8572717	CAPACITOR (S/P)
25	3387485	SCREW, 10-16 X 5/8 (S/P)
26	357030	CLAMP, CAPACITOR (S/P)

Distribuidor Autorizado

SurteRápido.com

Venta de Refacciones
Electrodomesticas

RAS7233JQ0 BASE

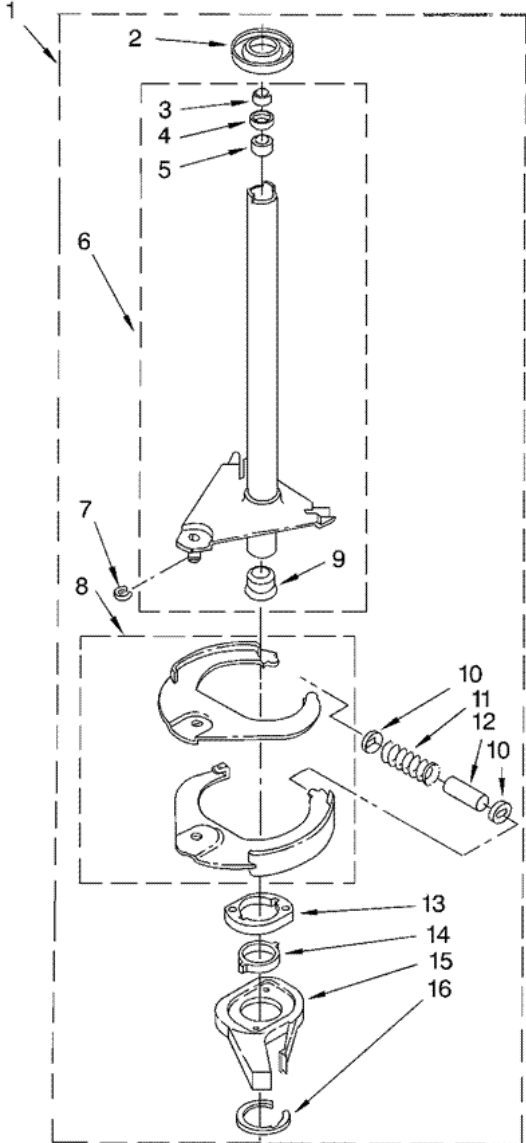




RAS7233JQ0 BASE

1	3400076	SCREW, BRACKET MOUNTING (10-32 X 5/8) (S/P)
2	64067	BRACKET, SPRING OUTER (2)
3	63907	SPRING, SUSPENSION (3)
4	63740	SUPPORT & BRAKE, TUB
5	64065	BRACKET, SPRING OUTER (L.F.)
6	63466	LINK, LEVELING MECHANISM (2) (S/P)
7	8316845	SPRING, LEVELING MECHANISM
8	62837	PIN, KNURLED (S/P)
9	285244	FOOT, REAR (2) (S/P)
13	8546455	BEARING, CENTERPOST (2) (S/P)
14	359449	SEAL, CENTERPOST (3)
15	388492	SPRING, COUNTERWEIGHT
16	285219	PAD, PLATE
17	3946509	PLATE, SUSPENSION (INCLUDES ILLUS. 16)
18	285744	PAD, BASE
19	285771	BASE ASSEMBLY
21	3359452	NUT, LOCK (3/8-16) (S/P)
22	389102	FOOT, FRONT (2)
23	91938	SEAL, CENTERPOST (2)
24	285203	CENTERPOST BEARING KIT
25	63134	RING, SOUND DEADENING
26	63806	RETAINER, SUSPENSION SPRING

RAS7233JQ0 FLECHA HUECA





RAS7233JQ0 FLECHA HUECA

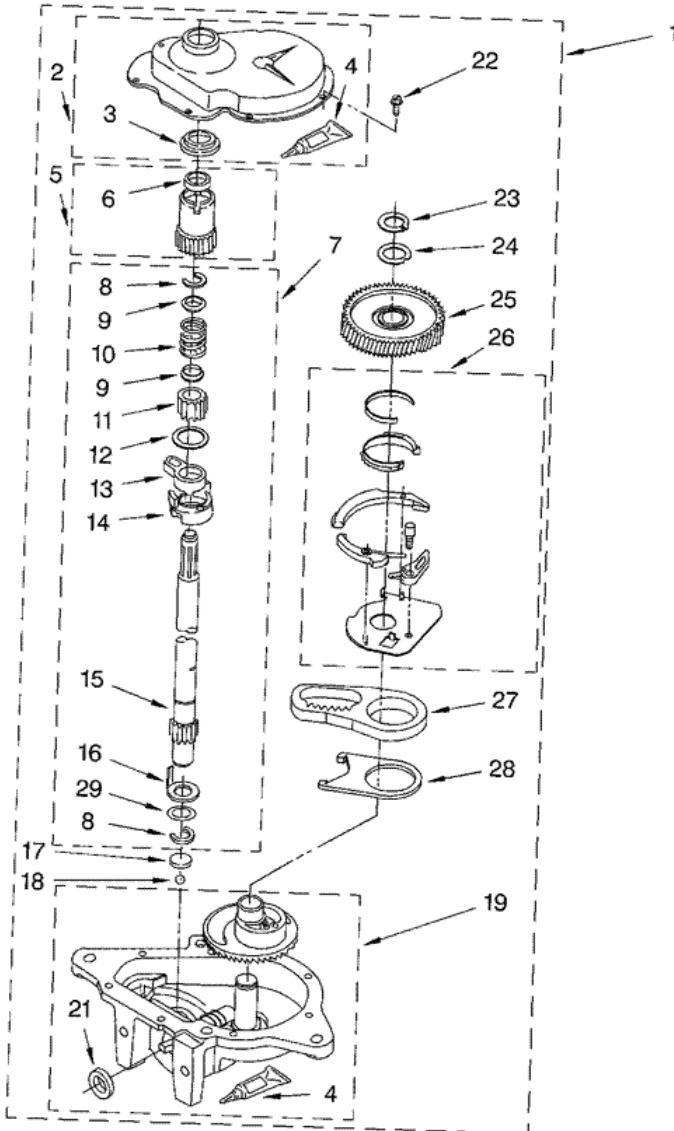
1	285792	BRAKE AND DRIVE TUBE (COMPLETE)
2	62658	RING, THRUST
3	91939	SEAL. OIL
4	356427	SEAL, DRIVE TUBE
5	356937	SPACER, DRIVE TUBE
6	285792	TUBE, BASKET DRIVE (INCLUDES ILLUS. 3, 4, 5, & 9)
7	W10083190	RING, RETAINING (S/P)
8	285438	SHOE, BRAKE
9	62703	``T`` BEARING, SPIN TUBE
10	285658	CAP, BRAKE SPRING (2) (S/P)
11	387806	SPRING, BRAKE
12	285658	SLEEVE, BRAKE SPRING (S/P)
13	661516	CAM, BRAKE RELEASE
14	63022	SLEEVE, CAM (S/P)
15	64194	DRIVER, BRAKE CAM
16	90368	RING, RETAINING
16	285208	LUBRICANT (S/P)

Distribuidor Autorizado

SurteRápido.com

Venta de Refacciones
Electrodomesticas

RAS7233JQ0 TRANSMISION

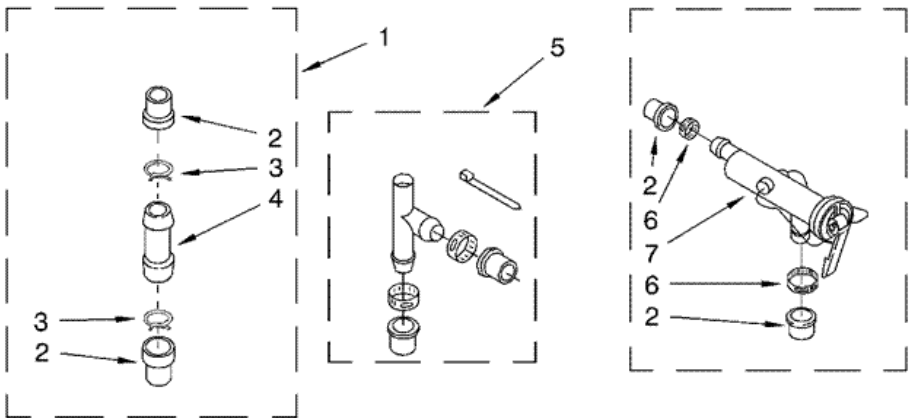




RAS7233JQ0 TRANSMISION

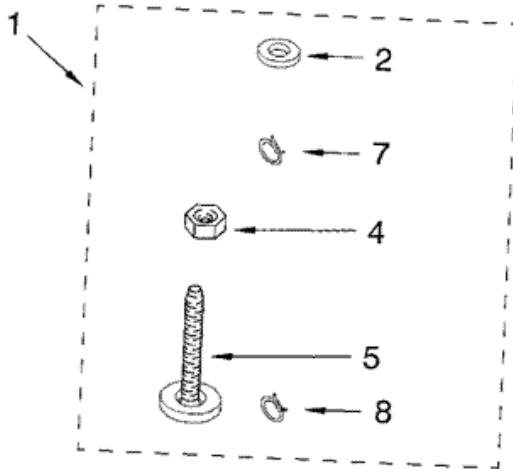
1	3360629	GEARCASE (COMPLETE)
2	285202	COVER, GEARCASE (S/P)
3	3349985	SEAL, GEARCASE COVER
4	285195	SEALER, GASKET (.20 FL. OZ.) (6 ML) (S/P)
5	285362	PINION, SPIN (INCLUDES ILLUS. 25)
6	356427	SEAL, SPIN PINION
7	389387	SHAFT, AGITSTOR (COMPLETE) (S/P)
8	90369	RING, RETAINING (2)
9	62677	RETAINER, SPRING
10	62676	SPRING, AGITATOR
11	285509	GEAR, AGITATE DESCONTINUADO
12	62619	WASHER, AGITATOR GEAR (S/P)
13	285206	CAM FOLLOWER (INCLUDES 14)
14	285206	CAM, AGITATE (INCLUDES 13)
15	285509	SHAFT, AGITATOR DESCONTINUADO
16	62618	WASHER, CAM THRUST
17	285205	BEARING, THRUST
18	285205	BALL, BEARING
19	285515	BOTTOM AND PINION, GEARCASE DESCONTINUADO
21	285352	SEAL, THRUST PLUG
22	3351614	SCREW, GEARCASE COVER, MOUNTING (8) (S/P)
23	285765	RING, RETAINING
24	285735	WASHER KIT, THRUST
25	285362	GEAR, SPIN
26	388253	NEUTRAL ASSEMBLY
27	3949609	RACK, CONNECTING
28	62621	ACTUATOR, SHIFT
29	388815	WASHER, INTERMEDIATE DESCONTINUADO

RAS7233JQ0 SISTEMA DE AGUA



1	285442	CONNECTOR KIT, PLASTIC DRAIN HOSE (S/P)
2	285321	SLEEVE KIT, (CONTAINS 2 SLEEVES) (S/P)
3	285655	CLAMP, HOSE (S/P)
4	16272	CONNECTOR, STRAIGHT (S/P)
5	285320	SIPHON BREAK KIT (NOT INCLUDED) (S/P)
6	285655	CLAMP, HOSE (S/P)
7	367031	DRAIN PROTECTOR (NOT INCLUDED) (S/P)

RAS7233JQ0 PATA



1	285654	MISCELLANEOUS PARTS BAG (S/P)
2	16123	WASHER, INLET HOSE (1-1/16 X 5/8) (4) (S/P)
4	3359452	NUT, LOCK (2) (3/8-16) (S/P)
5	389102	FOOT, FRONT (2)
7	356138	CLAMP, HOSE (S/P)
8	350938	PRIMER, GRAY (S/P)