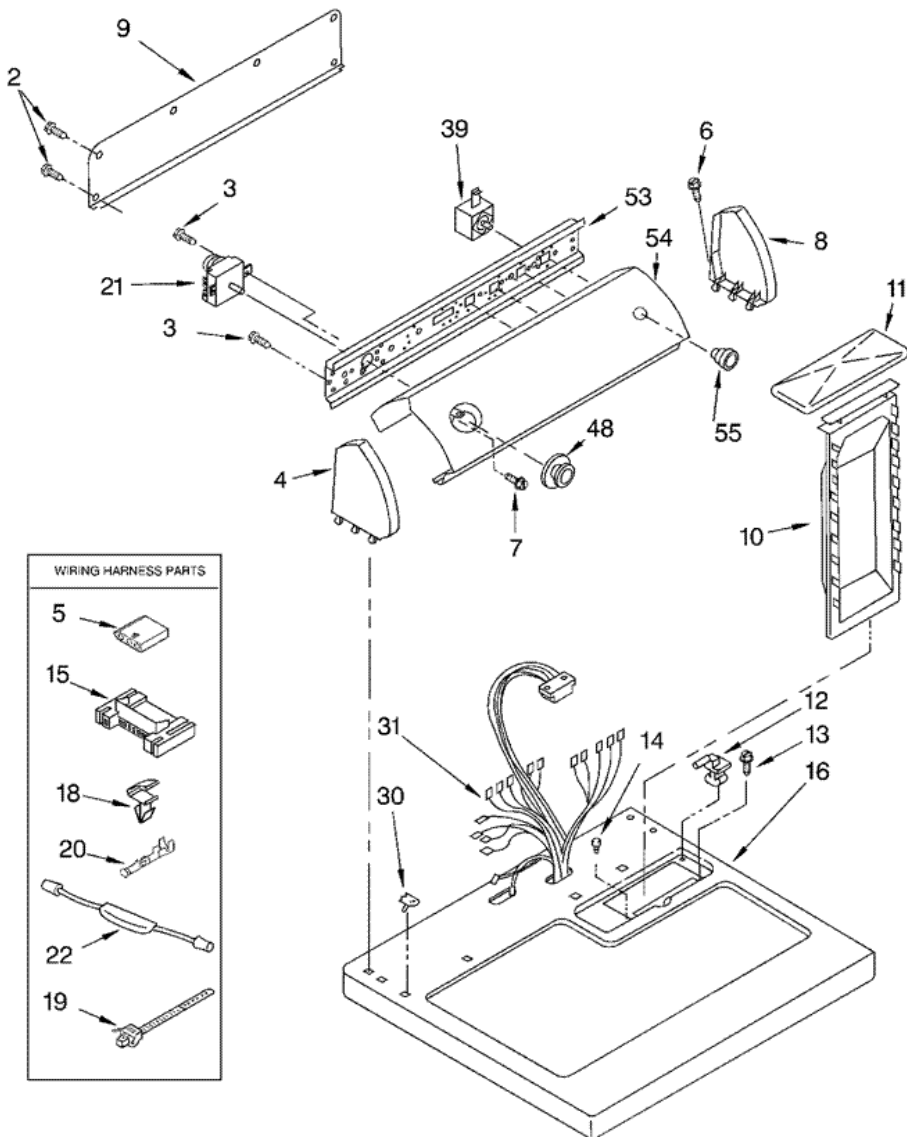


Distribuidor Autorizado

SurteRápido.com

Venta de Refacciones
Electrodomesticas

REX5634KQ0 TABLERO

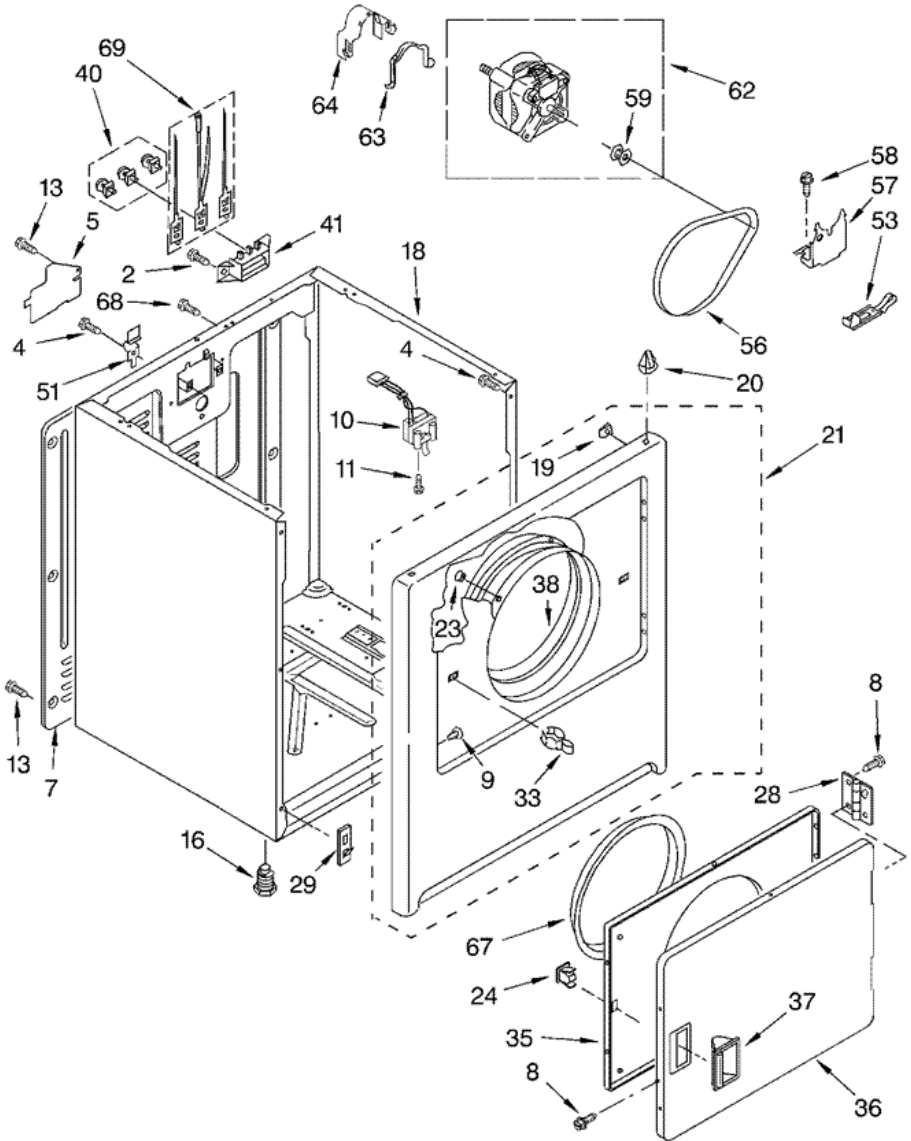




REX5634KQ0 TABLERO

2	693995	SCREW, HEX HEAD
3	3390646	SCREW, 8-18 X 5/16
4	8274437	CAP, END (L.H.)
5	3936144	CONNECTOR
6	388326	SCREW, CONSOLE
7	3400859	SCREW, GROUNDING
8	8274434	CAP, END (R.H.)
9	8274261	PANEL, REAR CONSOLE
10	339392	SCREEN, LINT
11	8283378	COVER, LINT SCREEN
12	3978605	HINGE, R.H.
12	3978606	HINGE, L.H.
13	688983	SCREW, 8-18 X 5/8
14	297535	BUMPER, LINT LID
15	3395683	CONNECTOR (MOTOR)
16	8271390	TOP
18	3394427	CLIP-HARNESS
19	3391249	TIE, CABLE
20	94614	TERMINAL (FEMALE)
21	8299764	TIMER, 60 HZ.
22	3401076	RESISTOR ASSEMBLY
30	357213	NUT, PUSH-IN (2)
31	3394290	HARNESS, WIRING
39	3977456	SWITCH, PUSH-TO-START
48	8274380	TIMER KNOB ASSEMBLY
53	8271418	BRACKET, CONTROL
54	3977929	PANEL, CONTROL
55	350930	PAINT, PRESSURIZED SPRAY 12 OZ.) (WHITE)
55	350938	PAINT, PRESSURIZED SPRAY (12 OZ.) (GREY)
55	689790	DRY RACK
55	72017	PAINT, TOUCH-UP (1/2OZ.) (WHITE)
55	799344	PAINT, BULK (1 QT.) (WHITE (UNCUT))
55	8274376	KNOB, PUSH-TO-START

REX5634KQ0 GABINETE





REX5634KQ0 GABINETE

2	3393008	SCREW, 10-16 X 1/2
4	343641	SCREW, 10-16 X 1/2
5	3396795	COVER, TERMINAL BLOCK
7	3396807	PANEL, REAR
8	342055	SCREW, 8-18 X 1/2
9	3404413	PLUG, HINGE HOLES (4)
10	3406104	DOOR SWITCH ASSEMBLY
11	697773	SCREW, 6-20 X 7/8
13	693995	SCREW, HEX WASHER HEAD
16	3392100	FOOT, DRYER (4)
18	3399580	CABINET ASSEMBLY
19	98234	CLIP, GROUND
20	690363	LOCK, FRONT TOP (2)
21	3403571	PANEL FRONT ASSEMBLY
23	685203	CLIP, FELT PAD
24	690081	CATCH, DOOR
28	3405514	HINGE AND PIN ASSEMBLY (2)
29	3394083	CLIP, FRONT PANEL (2)
33	696144	STRIKE, DOOR
35	3403371	DOOR, REAR
36	3403361	DOOR, FRONT
37	3405184	HANDLE, DOOR
38	349464	SEAL & BEARING ASSEMBLY
40	279393	TERMINAL BLOCK KIT (FOR TERMINAL BLOCK)
41	3397659	BLOCK, TERMINAL
51	238088	HINGE, TOP (2)
53	3394332	IDLER & SLIDE ASSEMBLY
56	8066065	BELT, DRIVE
57	348780	BASE, MOTOR
58	3400500	BOLT, 5/16-18 X 3/4
59	3394341	PULLEY
62	3976707	MOTOR ASSEMBLY
63	660658	CLAMP, MOTOR

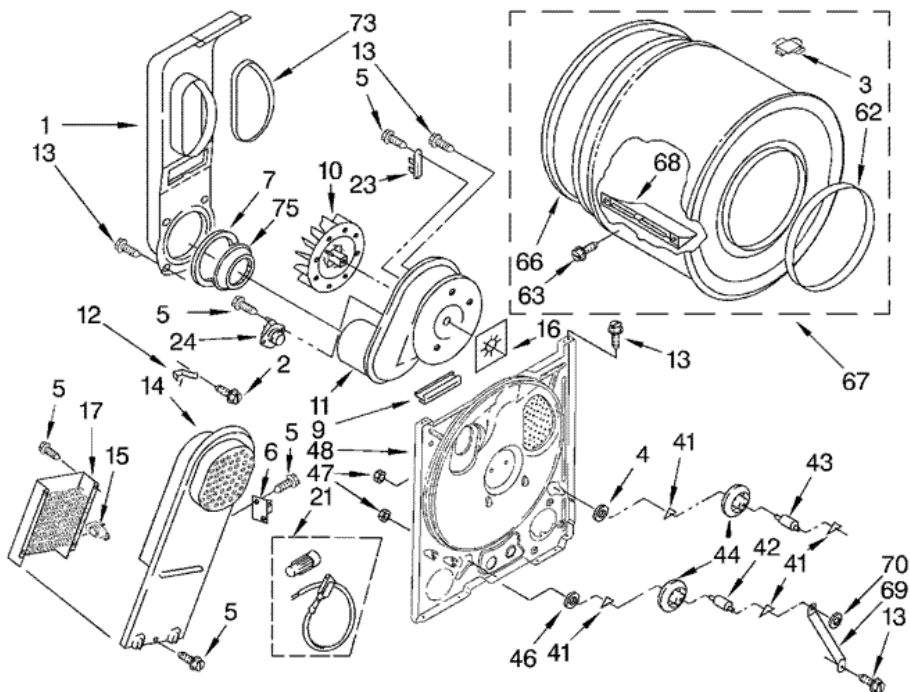
64	3404162	CLAMP, MOTOR (W/SHIELD)
67	3405245	SEAL, DOOR
68	697776	SCREW, 10-32 X 5/8 (EXTERNAL GROUND)
69	279318	TERMINAL, TINNED & BRASS (3) (INCLUDES ILLUS. 40)

Distribuidor Autorizado

SurteRápido.com

Venta de Refacciones
Electrodomesticas

REX5634KQ0 TAMBOR





REX5634KQ0 TAMBOR

1	694283	LINT CHUTE ASSEMBLY
2	489463	SCREW, 8-18 X 5/8
3	8066086	DRUM HOLE PLUG
4	3388703	WASHER, SUPPORT
5	90767	SCREW, 8-18 X 3/8
6	3977393	THERMAL, CUT-OFF
7	347139	SEAL, LINT CHUTE
9	3392247	PAD, BLOWER HOUSING
10	694089	WHEEL, BLOWER
11	3405016	HOUSING, BLOWER
12	3398161	CLIP
13	343641	SCREW, 10-16 X 1/2
14	3397566	BOX, HEATER
15	3977767	THERMOSTAT, HIGH LIMIT 221Â° F (105Â° C)
16	3394196	SEAL, BLOWER SHAFT
17	3403585	ELEMENT, HEATER (FOR 240 VOLT INSTALLATION)
21	279457	TERMINAL WIRE KIT
23	3392519	FUSE, THERMAL
24	3387134	THERMOSTAT, INTERNAL-BIAS
41	690997	RING, TRI
42	3399506	SHAFT, L.H.
43	3399507	SHAFT, R.H.
44	3397588	ROLLER, SUPPORT
46	348197	WASHER, SUPPORT
47	3359452	NUT, 3/8-16
48	3397264	BULKHEAD
62	3394509	RING, BEARING
63	97787	SCREW, 11-16 X 3/4
66	8066085	SEAL, REAR DRUM
67	3396777	DRUM ASSEMBLY
68	342847	BAFFLE, DRUM
69	3976435	BRACKET, SUPPORT
70	90296	CLIP

73	339956	SEAL
75	696302	SHIELD, EXHAUST