

Distribuidor Autorizado

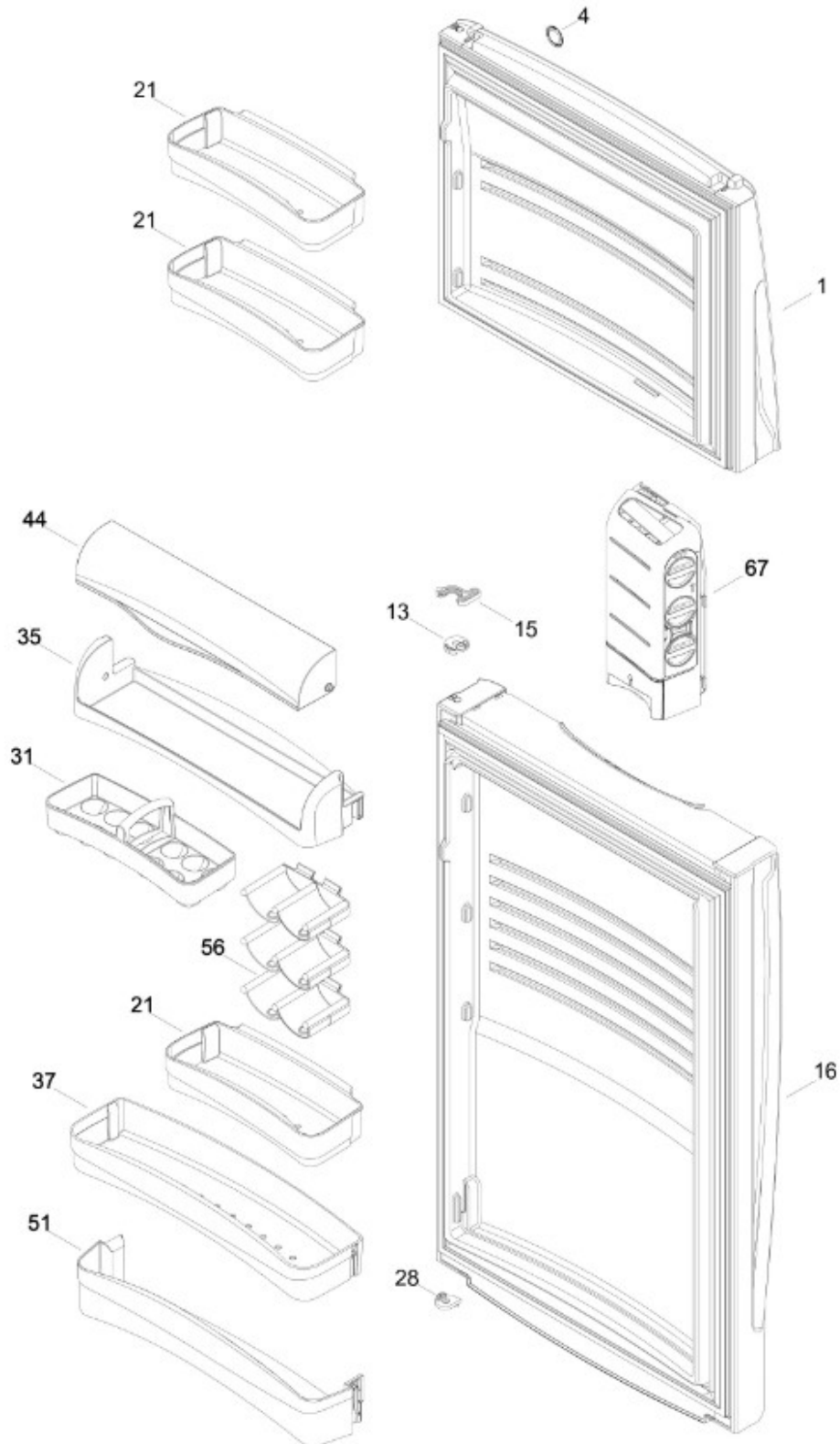
SurteRápido.com

Venta de Refacciones
Electrodomesticas

REFRIGERADOR RGI51YIMAMS0

PARTES PARA PUERTA

RGI51YIMAMS0



Distribuidor Autorizado

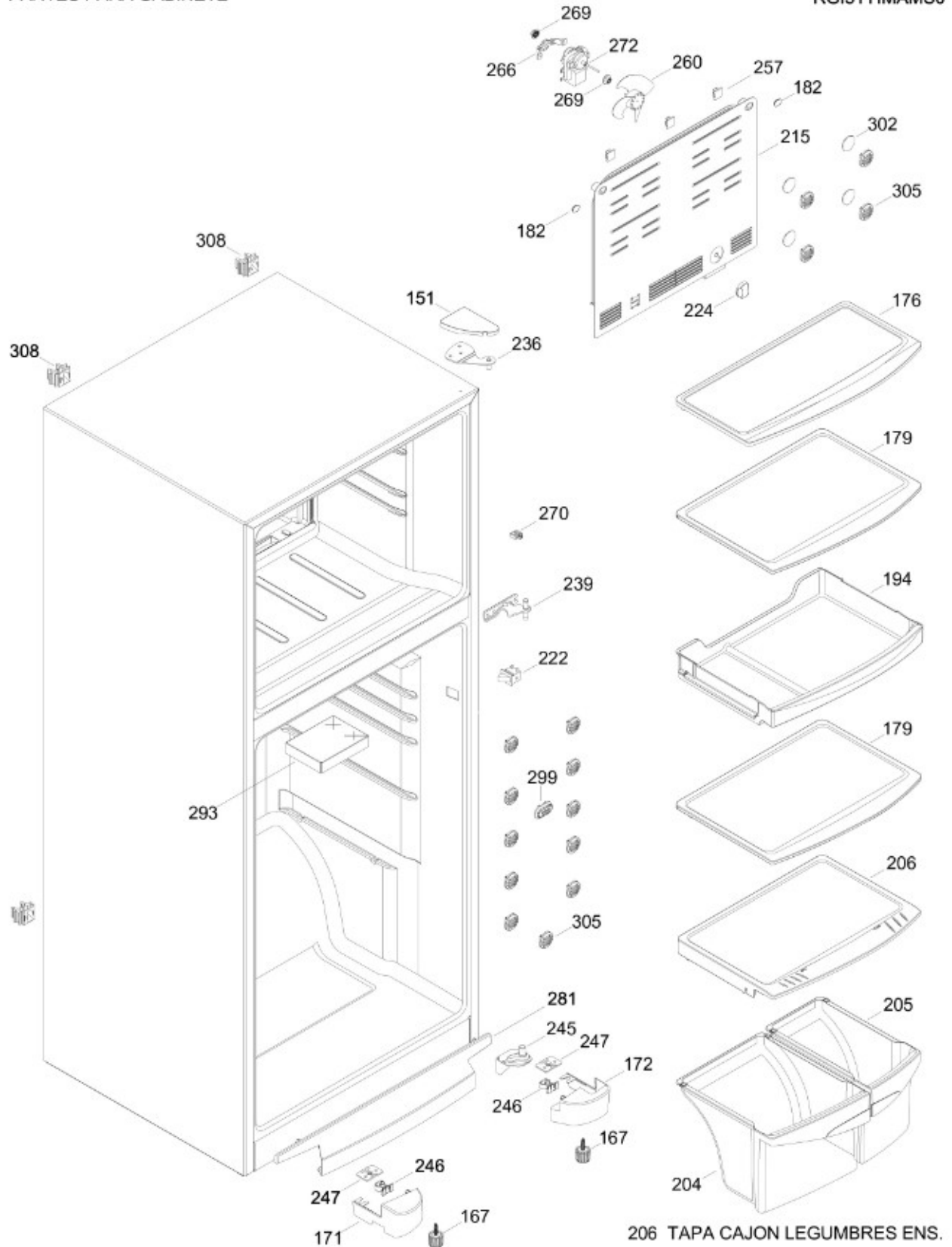
SurteRápido.com

Venta de Refacciones
Electrodomesticas

REFRIGERADOR RGI51YIMAMS0

PARTES PARA GABINETE

RGI51YIMAMS0



206 TAPA CAJON LEGUMBRES ENS.

Distribuidor Autorizado

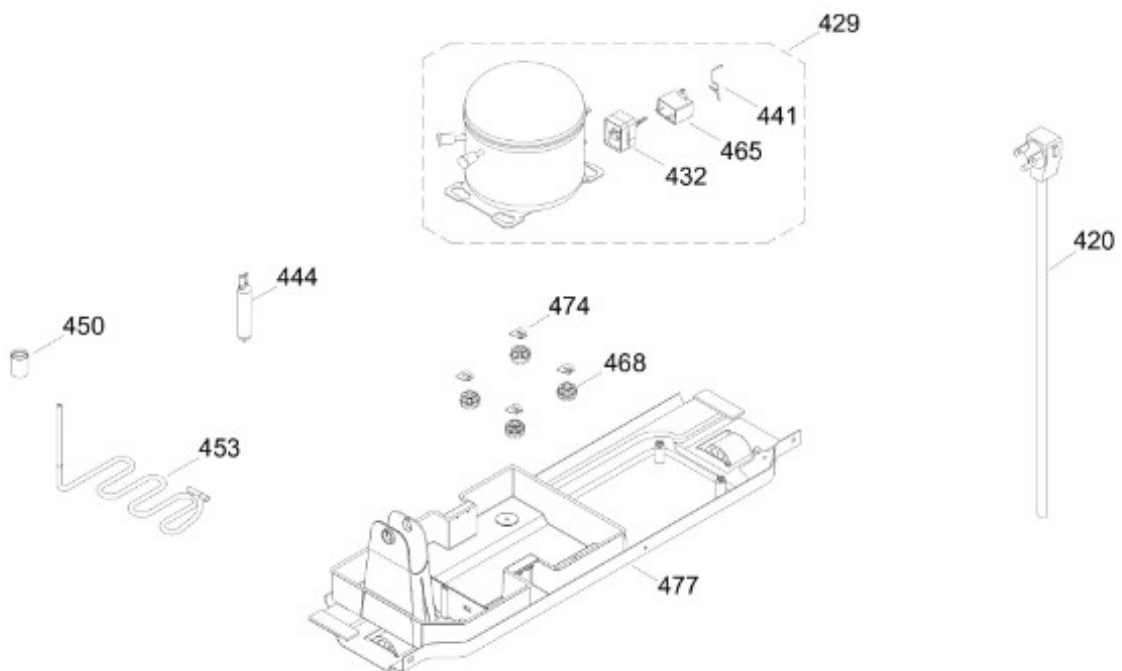
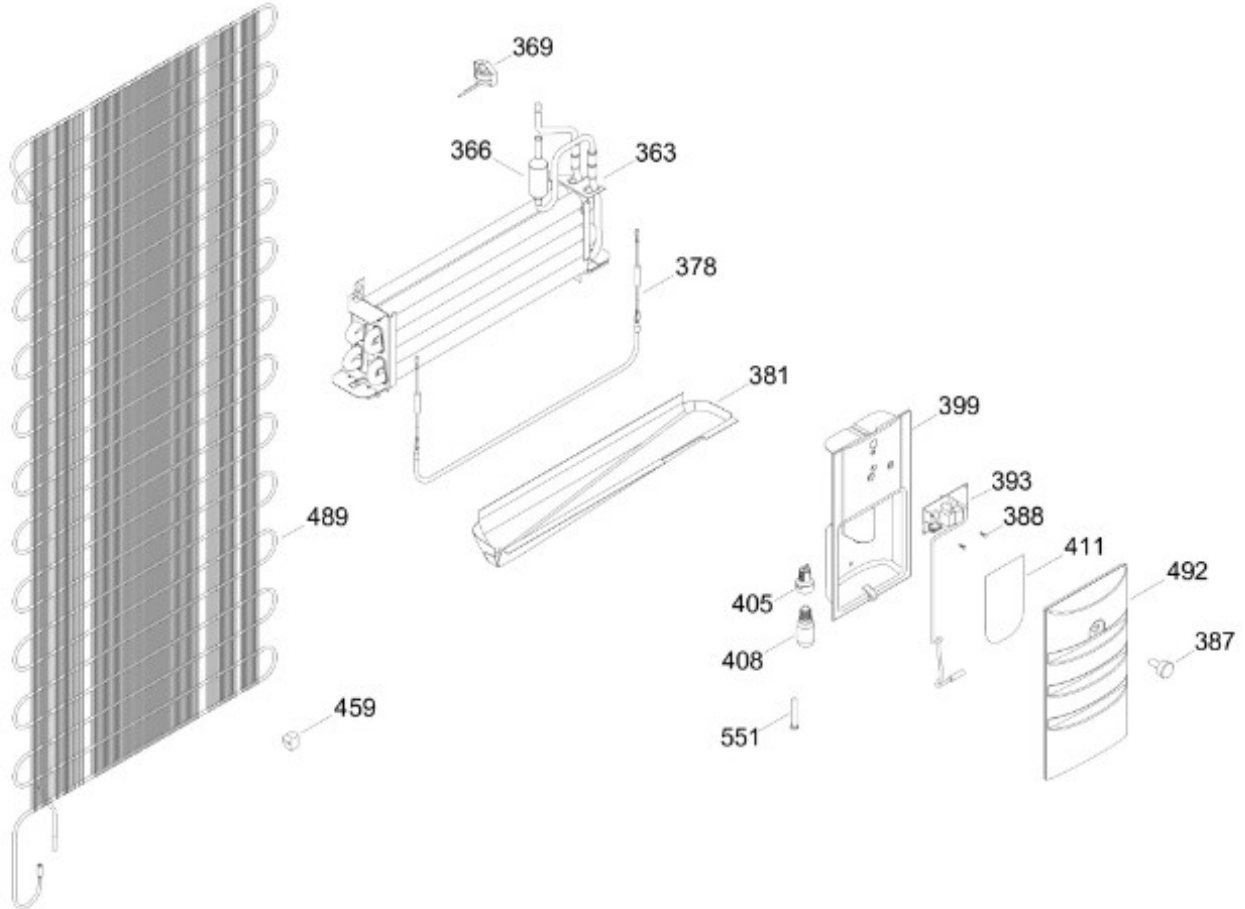
SurteRápido.com

Venta de Refacciones
Electrodomesticas

REFRIGERADOR RGI51YIMAMS0

PISO CONGELADOR Y UNIDAD REFRIGERANTE

RGI51YIMAMS0



Distribuidor Autorizado

SurteRápido.com

Venta de Refacciones
Electrodomesticas



REFRIGERADOR RGI51YIMAMS0

| Guía | Refacción | Descripción |
|------|---------------|----------------------------------|
| 1 | 200D6528G013E | PTA.FZ.ESP.14GE GS 28 |
| 4 | WR01A01133 | LOGOTIPO GE |
| 4 | WR01A01141 | LOGOTIPO GE |
| 13 | WR01A01215 | TOPE PUERTA CONG. |
| 15 | WR01F02047 | CIERRE FORZADO |
| 16 | WR01L05484 | PUERTA REFR. |
| 21 | WR01L04689 | ANAQUEL DESLIZABLE |
| 28 | WR01A01209 | TOPE PUERTA FF 6 MM |
| 31 | WR01L05039 | HUEVERA PORTATIL |
| 35 | WR01L04667 | ANAQUEL PORTALACTEOS |
| 37 | WR01L04697 | ANAQUEL FIJO INF. |
| 44 | WR01L05894 | PUERTA PORTALACTEOS |
| 51 | WR01L04693 | ANAQUEL FIJO SUP. |
| 56 | WR01L05176 | PORTA LATAS ENS. |
| 67 | WR01F02219 | FABRICA HIELOS |
| 151 | WR01L05975 | TAPA BISAGRA SUP. |
| 167 | WR01A01225 | TORNILLO NIVELADOR |
| 171 | WR01L04846 | CUBIERTA BISAGRA INF. |
| 172 | WR01L04853 | CUBIERTA BISAGRA INF. |
| 176 | WR01L04987 | ENS. PARRILLA CONG. |
| 179 | WR01L04970 | ENS. PARRILLA REFR. |
| 182 | WR01A01201 | BOTON |
| 194 | WR01L04766 | CAJON CARNES |
| 204 | WR01L04781 | CAJON GEMELO |
| 205 | WR01L04777 | CAJON GEMELO |
| 206 | WR01L05021 | ENS.TAPA CAJON |
| 215 | WR01L04840 | CUBIERTA EVAPORADOR |
| 222 | WR01L05089 | INTERRUPTOR (6.67.6YL3CER)RVO |
| 224 | WR01L05167 | PERILLA DAMPER |
| 236 | WR01L04759 | BISAGRA SEPARADOR ENS. |
| 239 | WR01L04757 | BISAGRA INTERMEDIA ENS. COMPLETO |
| 245 | WR01L04744 | BISAGRA ENS. |
| 246 | WR01A01113 | ESPACIADOR PLASTICO |
| 247 | WR01A01179 | SOPORTE NIVELADOR |
| 257 | WR01A01099 | CLIP ADHESIVO EVAP |

Distribuidor Autorizado

SurteRápido.com

Venta de Refacciones
Electrodomesticas

REFRIGERADOR RGI91YIMAMS1

| Guía | Refacción | Descripción |
|------|------------|-------------------------------|
| 260 | WR01F00099 | ASPA DE VENTILADOR ENS |
| 266 | WR01A01091 | BRACKET VENTILADOR CONG. |
| 269 | WR01A00239 | EMPAQUE VENTILADOR |
| 270 | WR01A01085 | ABRAZADERA CABLES |
| 272 | WR01F01638 | MOTOR VENTILADOR SUNG SHIN |
| 281 | WR01L05029 | FALDON |
| 293 | WR01F01959 | AISLANTE ELEC. |
| 299 | WR01L05915 | REJILLA SENS.OR |
| 302 | WR01F02242 | FONDO SALIDA DE AIRE |
| 305 | WR01L05930 | SALIDA DE AIRE |
| 308 | WR01A01277 | CLIP CONDENSADOR PLANO CH |
| 308 | WR03F04711 | CLIP CONDENSADOR PLANO CH |
| 363 | WR01F02151 | ENS. COMPRESOR EVAPORADOR |
| 366 | WR01F01953 | ACUMULADOR ENS. |
| 369 | WR01F03104 | TERMOSTATO DESHIELO PERSEUS |
| 378 | WR01F02281 | ENS. RESISTENCIA |
| 381 | WR01L04715 | BANDEJA COLECTORA |
| 387 | WR01L05141 | PERILLA CONTROL |
| 388 | WR01A01136 | SUPOTE TARJETA |
| 393 | WR01F02342 | TARJETA CONTROL |
| 399 | WR01F02013 | CAJA CONTROL |
| 405 | WR01F02289 | SOCKET ENS. |
| 408 | WR01F02227 | FOCO FF |
| 408 | WR01F02226 | FOCO FF |
| 408 | WR01F03693 | FOCO FF |
| 408 | WR03F04631 | FOCO LED 130V (1.5W) |
| 408 | WR01F03875 | FOCO LED 130V (1.5W) |
| 411 | WR01F02236 | FOIL DE ALUMINIO |
| 420 | WR01F02000 | ARNES TOMACORRIENTE |
| 429 | WR01F02073 | COMPRESOR |
| 429 | WR01F04294 | COMPRESOR |
| 432 | WR01F01943 | PROTECTOR RELEVADOR |
| 441 | WR01A01100 | SUJETADOR CLIP 5SP |
| 441 | WR01A01614 | SUJETADOR CLIP 5SP |
| 441 | WR01A02393 | CLIP 5SP 127V GLOBE CAPACITOR |



REFRIGERADOR RGI91YIMAMS1

| Guía | Refacción | Descripción |
|------|------------|-------------------------------|
| 444 | WR01F02221 | FILTRO DESHIDRATADOR |
| 450 | WR01F02375 | VALVULA DREN |
| 453 | WR01F02190 | ENS. TUBO AUX. |
| 453 | WR03F04240 | ENS. TUBO AUX. |
| 459 | WR01F01964 | AMORTIGUADOR PARA CONDENSADOR |
| 465 | WR01F02043 | CAPACITOR |
| 468 | WR01F00846 | ARANDELA COMPRESOR |
| 468 | WR01L13035 | ARANDELA COMPRESOR |
| 474 | WR01A00191 | CLIP COMPRESOR |
| 477 | WR01F02179 | ENS. SOPORTE COMPRESOR |
| 489 | WR01F02075 | CONDENS.ADOR |
| 492 | WR01L04870 | CUBIERTA FOCO |
| 551 | WR01A01224 | TORNILLO 8-19 |