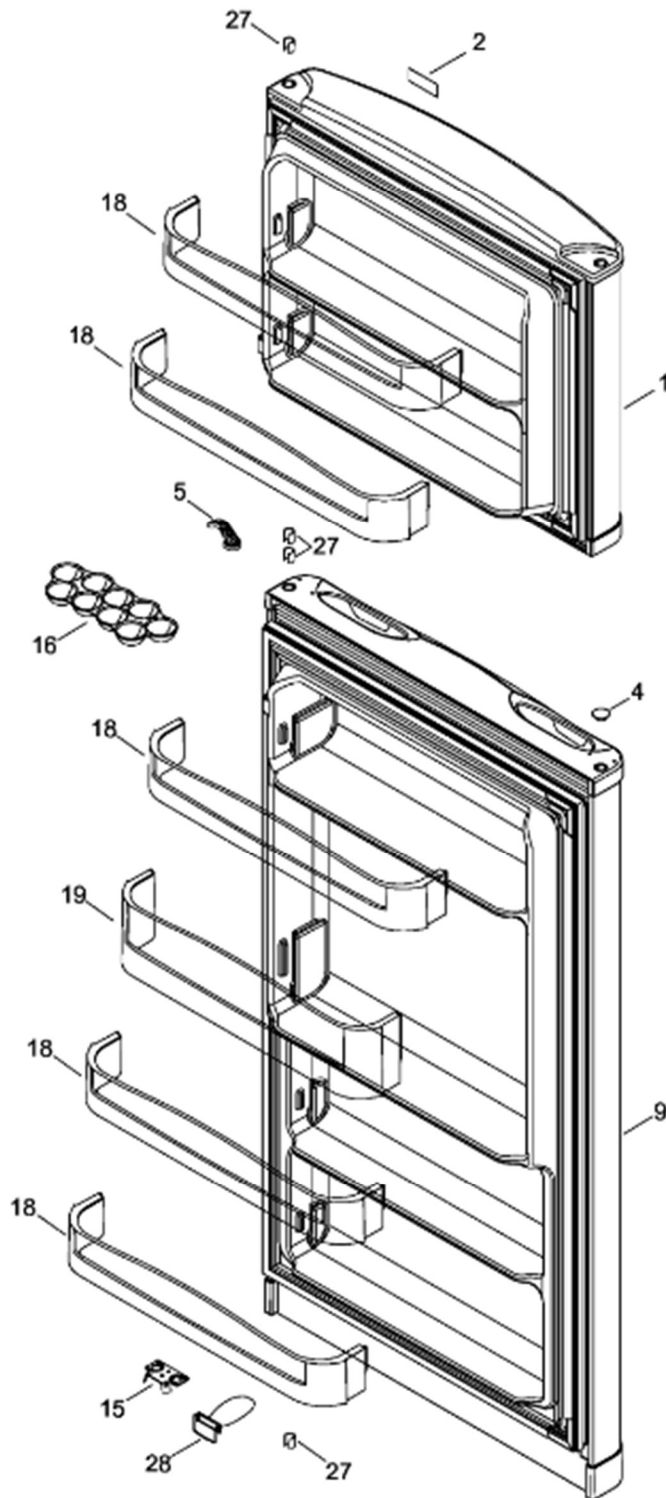


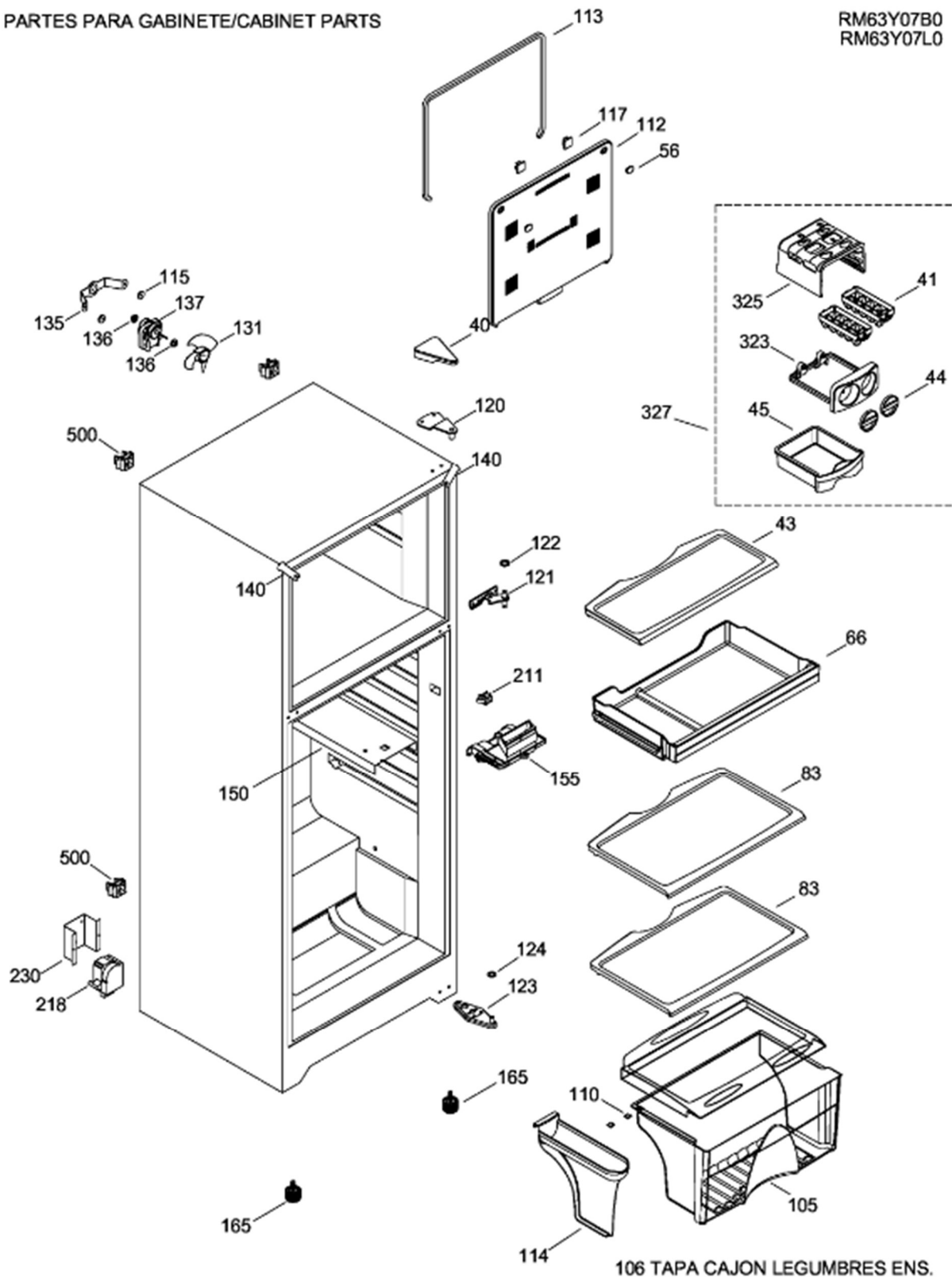
PARTES PARA PUERTA/DOOR PARTS

RM63Y07B0
RM63Y07L0



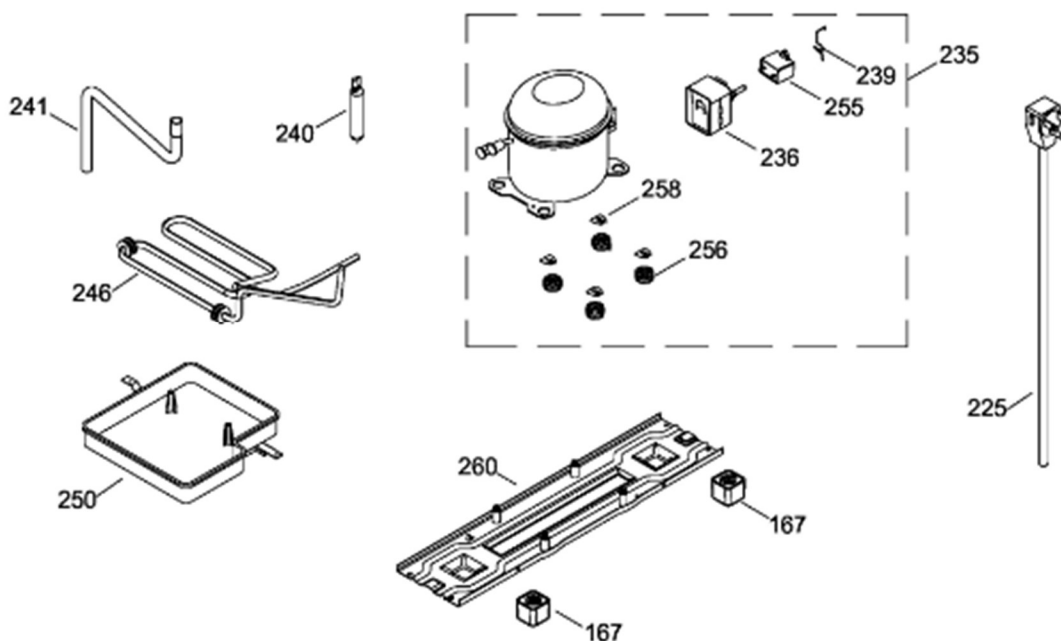
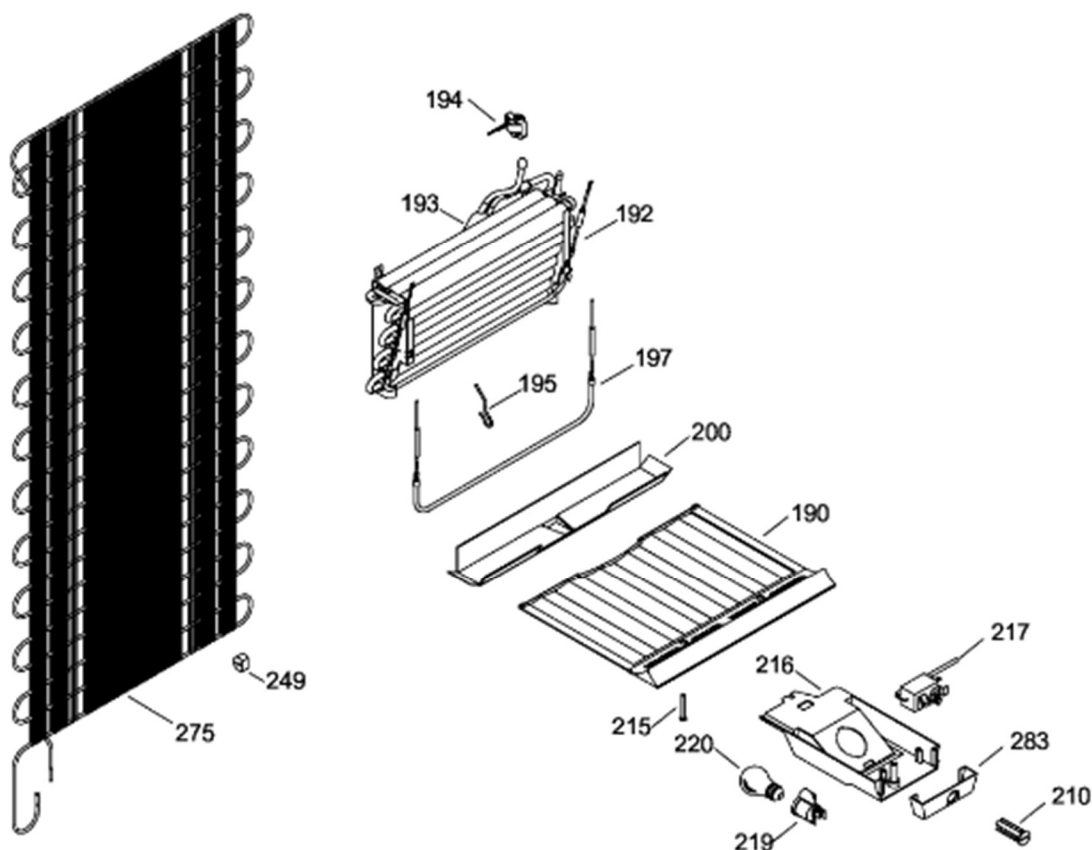
PARTES PARA GABINETE/CABINET PARTS

RM63Y07B0
RM63Y07L0



PISO CONGELADOR Y UNIDAD REFRIGERANTE / FLOOR FZ AND LOW UNIT ASM

RM63Y07B0
RM63Y07L0



Guía	Refacción	Descripción
1	200D2728G056	PUERTA CURVA CONG ENS BISQUE
2	WR01A00400	NAMEPLATE MABE
2	WR01A01249	NAMEPLATE MABE
2	WR01A02267	PLACA EMBLEMA SIRIUS 360
4	WR01A01192	TAPON BUJE BISQUE
5	WR01A01205	TOPE PUERTA CONG.
9	200D2755G004	PUERTA CURVA LISA REFRIG.
15	WR01A01207	TOPE PTA.REF.PERS.2001
16	WR01L05907	RACK HUEVOS
18	WR01L04685	ANAQUEL
19	WR01L06025	ANAQUEL
28	WR01L04763	BOTTLE SEPARATOR
40	WR01L05960	TAPA BISAGRA
41	WR01L06035	CHAROLA HIELOS
43	200D3656G002C	PARR.CRIS.FZ.ENS.PERS.
44	200D5144P004	PERILLA FAB HIELOS AZUL 633C
45	200D7553P005	CAJON HIELOS DESMOLDEA
52	WR01L02462	BUJE BISAGRA
66	WR01L05107	CAJON CARNES
83	200D3657G002C	PARR.CRIS.FF.ENS.PERS.
105	WR01L06130	CAJON LEGUMBRES
106	WR01L05990	TAPA CAJON LEG PERSEUS 07
110	WR01A01156	SLIDE BEARING PAN
112	WR01F02040	CAMARA DE AIRE PERSEUS LIFT
113	238C3350P001	ESPUMA CAM. DE AIRE PE
114	WR01L05945	SEPARAD.CAJON LEG.MABE PERS"0
115	WR01L05033	FOAM WASHER
117	WR01A01099	CLIP ADHESIVO EVAP
120	WR01L04924	BISAGRA SUP. ENS.
121	WR01L04743	BISAGRA INTERMEDIA ENS.
122	WR01A01112	ESPACIADOR BISAGRA
122	WR01A01110	ESPACIADOR BISAGRA
123	WR01L04750	BISAGRA INF. ENS.
135	WR01A00876	SOPORTE MOTOR EVAPORADOR
137	WR01F02448	MOTOR VETIL.AC PERS.SUNGSHIN

Guía	Refacción	Descripción
137	WR01F02268	MOTOR VETIL.AC PERS.SUNGSIN
140	WR01A01116	ESQUINERO GABINETE
150	WR01F04022	AISLANTE ELECTRICO
155	WR01L04914	DUCTO CUBIERTA ENS.
165	WR01A01226	TORNILLO NIVELAD.
167	WR01L05958	TACON POST.
182	WR01A01201	BOTON
190	WR01L04720	BASE CONGELADOR
192	200D6739G004	EVAP.EC"L"C/RES.220W P
193	WS01F05512	ACUMULADOR
193	221C8290P003	ACUMULADOR
194	WR01F03104	TERMOSTATO DESHIELO PERSEUS
195	WR01A01087	ALAMBRE CALEFACTOR PERSEUS
197	WR01F02276	ENS. RESISTENCIA
200	WR01L08057	CHAROLA DRENAJE ALUMINIO PERSEUS
210	186D1664P023	PERILLA CONT.TEMP.MABE
211	WR01L05089	INTERRUPTOR (6.67.6YL3CER)RVO
216	WR01F02027	CAJA CONTROL ELECTRONICO
217	WR01F02106	CONTROL TEMPERATURA
218	WR01F02413	CONTROL DESHIELO
218	WR01F02403	CONTROL DESHIELO
219	WR01F02288	SOCKET ENS.
220	WR01F02439	LAMPARA
225	WR01F01982	ARNES TOMACORRIENTE
230	WR01F04027	SOPORTE CONTROL DE DESHIELO
235	WR01F02073	COMPRESOR
235	WR01F04294	COMPRESOR
236	WR01F01943	PROTECTOR RELEVADOR
239	WR01A01100	SUJETADOR CLIP 5SP
239	WR01A01614	SUJETADOR CLIP 5SP
239	WR01A02393	CLIP 5SP 127V GLOBE CAPACITOR
240	WR01L01927	FILTRO DESHIDRATADOR
241	WR01F02363	TUBO CESPOL
246	WR01L05956	SERPENTIN AUXILIAR ENS.
248	WR01A01150	RONDANA BISAGRA

Guía	Refacción	Descripción
250	WR01L04808	CHAROLA EVAP. ENS.
255	WR01F02043	CAPACITOR
256	WR01F00846	ARANDELA COMPRESOR
256	WR01L13035	ARANDELA COMPRESOR
260	WR01F00099	ASPA DE VENTILADOR ENS
260	WR01A01236	ENS. SOPORTE COMPRESOR
269	WR01A00239	EMPAQUE VENTILADOR
275	WR01F02078	CONDENSADOR
283	WR01L05035	FRENTE CAJA CONTR MABE
323	WR01L05106	MOLDURA DESMOLDEADOR
325	NLA	BASE PRINCIPAL DESMOLD
327	NLA	DESM.HIELOS ENS.MB PRA
459	WR01F01964	AMORTIGUADOR PARA CONDENSADOR
474	WR01A00191	CLIP COMPRESOR
500	WR01A01104	CLIP CONDENS.ADOR
551	WR01A01224	TORNILLO 8-19