

Distribuidor Autorizado

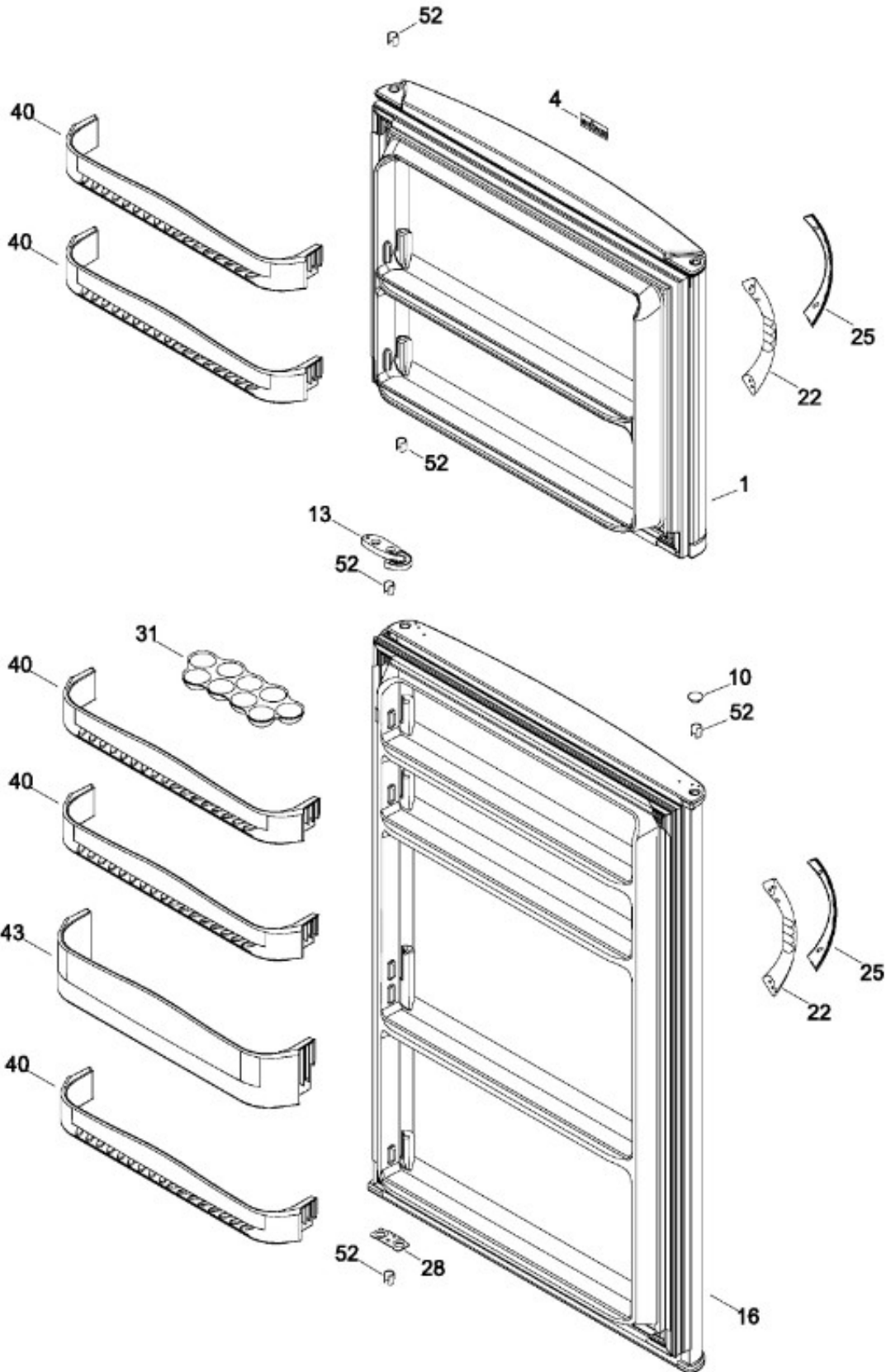
SurteRápido.com

Venta de Refacciones
Electrodomesticas

REFRIGERADOR RM75V09B1

PARTES PARA PUERTA

MA075V09S1
RM75V09B1



Distribuidor Autorizado

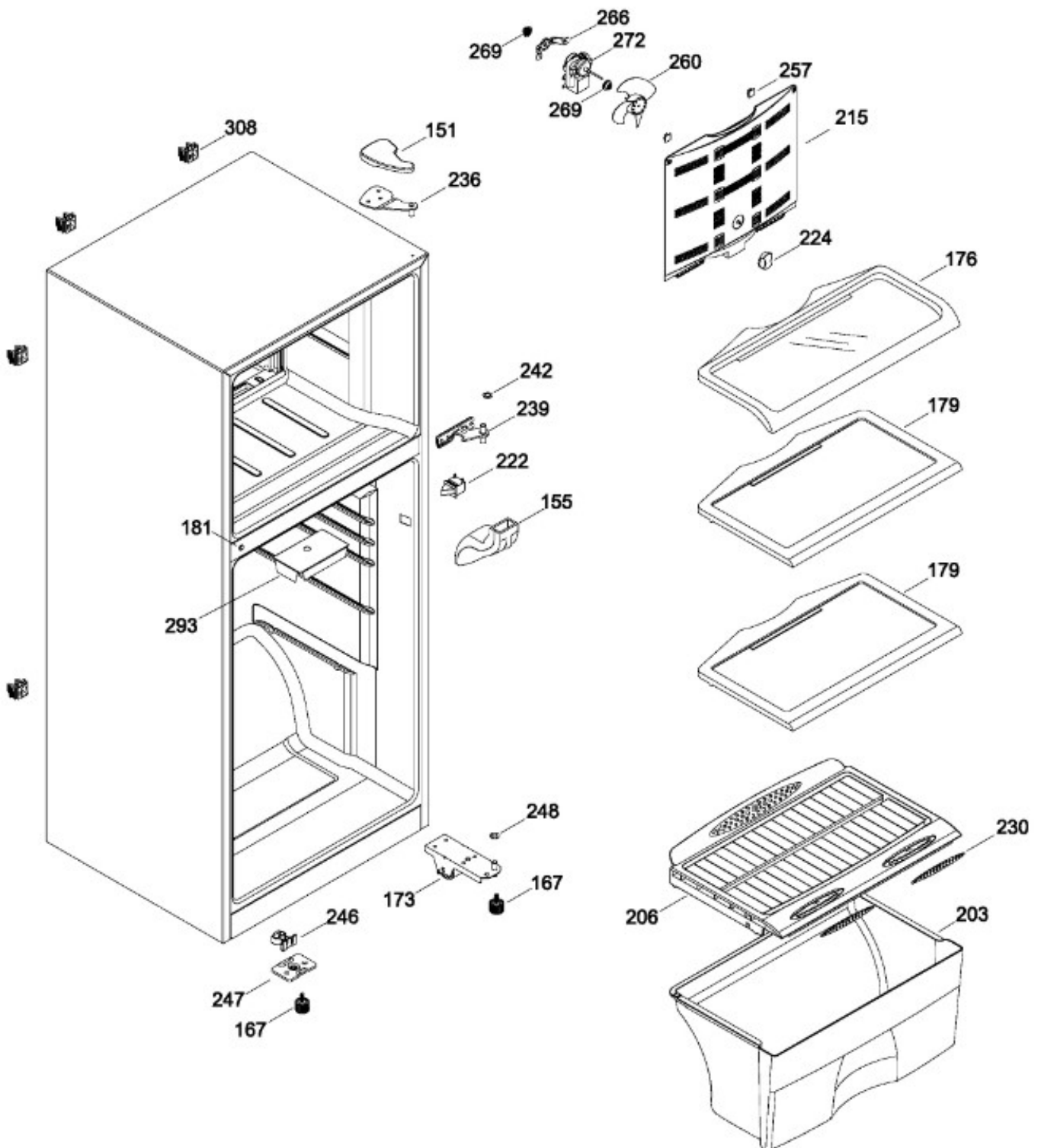
SurteRápido.com

Venta de Refacciones
Electrodomesticas

REFRIGERADOR RM75V09B1

PARTES PARA GABINETE

MA075V09S1
RM75V09B1



206.- TAPA CAJON LEGUMBRES ENS.

Distribuidor Autorizado

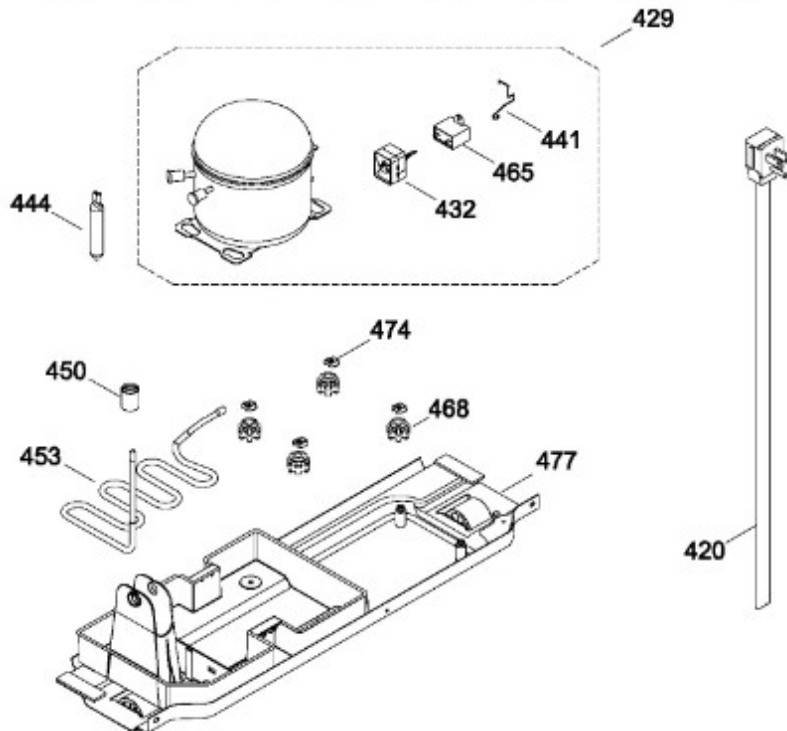
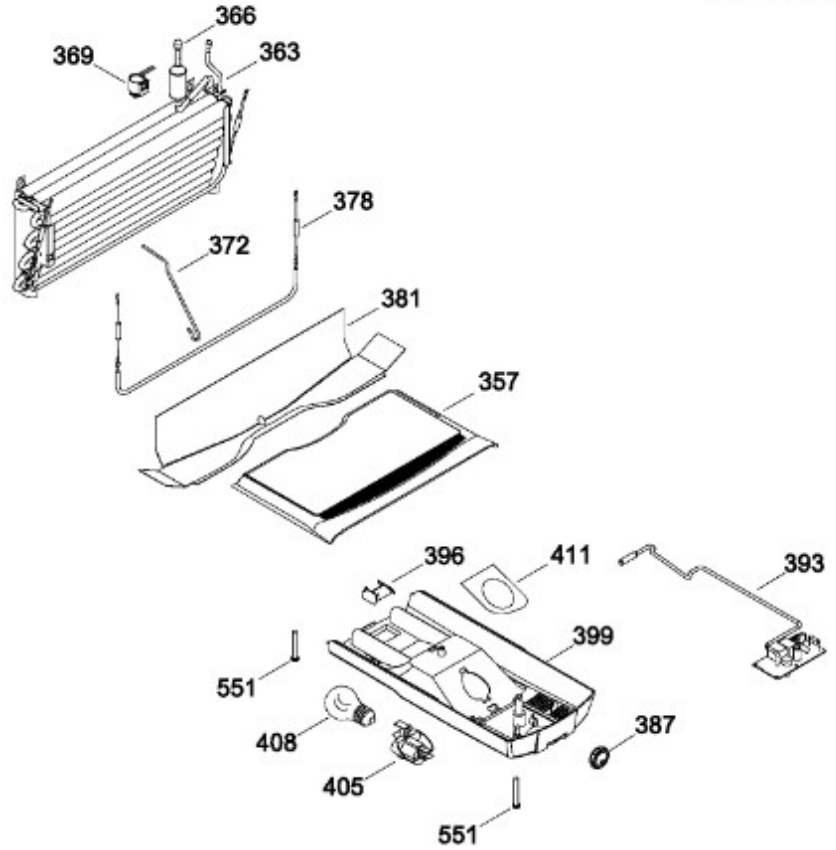
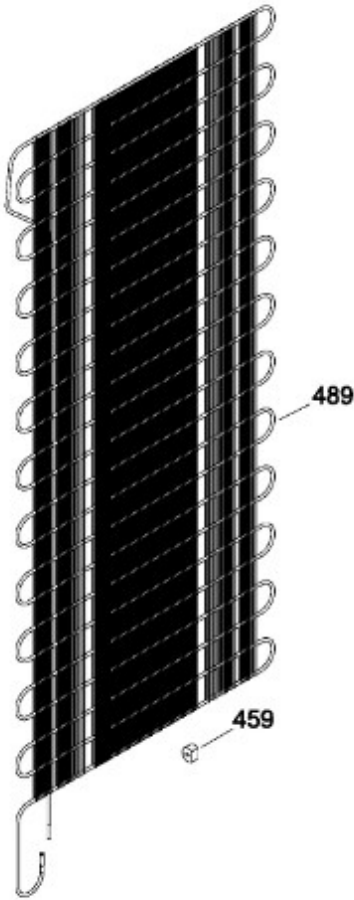
SurteRápido.com

Venta de Refacciones
Electrodomesticas

REFRIGERADOR RM75V09B1

PISO CONGELADOR Y UNIDAD REFRIGERANTE

MA075V09S1
RM75V09B1



Distribuidor Autorizado

SurteRápido.com

Venta de Refacciones
Electrodomesticas

REFRIGERADOR RM75V09B1

| Guía | Refacción | Descripción |
|------|--------------|-------------------------------|
| 1 | 200D3694G031 | PUERTA ESPUMADA CONG ENSAMBLE |
| 4 | WR01A00400 | NAMEPLATE MABE |
| 4 | WR01A01249 | NAMEPLATE MABE |
| 10 | WR01A01193 | TAPON BUJE |
| 13 | WR01A01217 | TOPE PUERTA INTERMEDIO |
| 16 | 200D1597G037 | PUERTA ESPUMADA ENF ENSAMBLE |
| 22 | WR01L04740 | BASE JALADERA MABE BLANCO |
| 25 | WR01A01129 | INSERTO JALADERA |
| 28 | WR01A01218 | TOPE PUERTA REFR. |
| 31 | WR01L05907 | RACK HUEVOS |
| 40 | WR01L04672 | ANAQUEL |
| 43 | WR01L04679 | ANAQUEL |
| 52 | WR01L02462 | BUJE BISAGRA |
| 151 | WR01L05962 | TAPA BISAGRA |
| 155 | WR01F02130 | DUCTO ESPUMA ENS. |
| 167 | WR01A01225 | TORNILLO NIVELADOR |
| 173 | WR01A01161 | SOPORTE RUEDA |
| 173 | WR01A01275 | SOPORTE RUEDA |
| 176 | WR01L05005 | MCO. PARR. CRISTAL ENS. |
| 179 | WR01L05002 | MCO. PARR. CRISTAL ENS. |
| 181 | WR01A01200 | TAPON TORNILLO BISAGRA |
| 203 | WR01L04928 | ENS. CAJON LEGUMBRES |
| 206 | WR01L05981 | TAPA CAJ.LEG.GDE.PLAST |
| 215 | WR01L04836 | CUBIERTA EVAPORADOR |
| 222 | WR01L05089 | INTERRUPTOR (6.67.6YL3CER)RVO |
| 224 | WR01L05166 | PERILLA DAMPER |
| 230 | WR01F02094 | CONTROL HUMEDAD |
| 236 | WR01L04925 | ENS. BISAGRA |
| 239 | WR01L04755 | BISAGRA INTERMEDIA ENS. |
| 239 | WR01L09400 | BISAGRA INTERMEDIA ENS. |
| 242 | WR01A01112 | ESPACIADOR BISAGRA |
| 242 | WR01A01110 | ESPACIADOR BISAGRA |
| 246 | WR01A01113 | ESPACIADOR PLASTICO |
| 247 | WR01A01179 | SOPORTE NIVELADOR |
| 248 | WR01A01150 | RONDANA BISAGRA |

Distribuidor Autorizado

SurteRápido.com

Venta de Refacciones
Electrodomesticas



REFRIGERADOR RM75V09B1

| Guía | Refacción | Descripción |
|------|--------------|--------------------------------|
| 257 | WR01A01099 | CLIP ADHESIVO EVAP |
| 260 | WR01F00099 | ASPA DE VENTILADOR ENS |
| 266 | WR01A01091 | BRAKET VENTILADOR CONG. |
| 269 | WR01A00239 | EMPAQUE VENTILADOR |
| 272 | WR01F01638 | MOTOR VENTILADOR SUNG SHIN |
| 293 | WR01F01961 | AISLANTE ELECTRICO SUP |
| 308 | WR01A01277 | CLIP CONDENSADOR PLANO CH |
| 308 | WR03F04711 | CLIP CONDENSADOR PLANO CH |
| 357 | WR01L05170 | PISO CONG. |
| 363 | 200D6739G012 | EVAPORADOR ENS |
| 366 | 238C1961G010 | ACUMULADOR ENS.POLAR |
| 369 | WR01F02355 | TERMOSTATO |
| 372 | WR01F00990 | CONDUCTOR DE CALOR P/ DESHIELO |
| 378 | WR01F02275 | ENS. RESISTENCIA |
| 381 | WR01L04799 | CHAROLA DE DESHIELO |
| 387 | WR01L05147 | PERILLA CONTROL TEMP. |
| 393 | WR01F02346 | TARJETA CONTROL |
| 393 | WR03F04504 | TARJETA CONTROL |
| 396 | WR01F02119 | DIFUSOR CAJA ESTÁNDAR |
| 399 | WR01F02021 | CAJA CONTROL |
| 405 | WR01F02288 | SOCKET ENS. |
| 408 | WR01F02439 | LAMPARA |
| 411 | WR01F01962 | FOIL DE ALUMINIO |
| 420 | WR01F02000 | ARNES TOMACORRIENTE |
| 429 | WR01F02073 | COMPRESOR |
| 429 | WR01F04294 | COMPRESOR |
| 432 | WR01F01943 | PROTECTOR RELEVADOR |
| 441 | WR01A01100 | SUJETADOR CLIP 5SP |
| 441 | WR01A01614 | SUJETADOR CLIP 5SP |
| 441 | WR01A02393 | CLIP 5SP 127V GLOBE CAPACITOR |
| 444 | WR01F02221 | FILTRO DESHIDRATADOR |
| 450 | WR01F02375 | VALVULA DREN |
| 453 | WR01F02190 | ENS. TUBO AUX. |
| 453 | WR03F04240 | ENS. TUBO AUX. |
| 459 | WR01F01964 | AMORTIGUADOR PARA CONDENSADOR |

Distribuidor Autorizado

SurteRápido.com

Venta de Refacciones
Electrodomesticas

REFRIGERADOR RM75V09B1

| Guía | Refacción | Descripción |
|------|------------|------------------------|
| 465 | WR01F02043 | CAPACITOR |
| 468 | WR01F01965 | AMORTIGUADOR |
| 474 | WR01A00191 | CLIP COMPRESOR |
| 477 | WR01F02179 | ENS. SOPORTE COMPRESOR |
| 489 | WR01F02075 | CONDENSADOR |
| 551 | WR01A01224 | TORNILLO 8-19 |