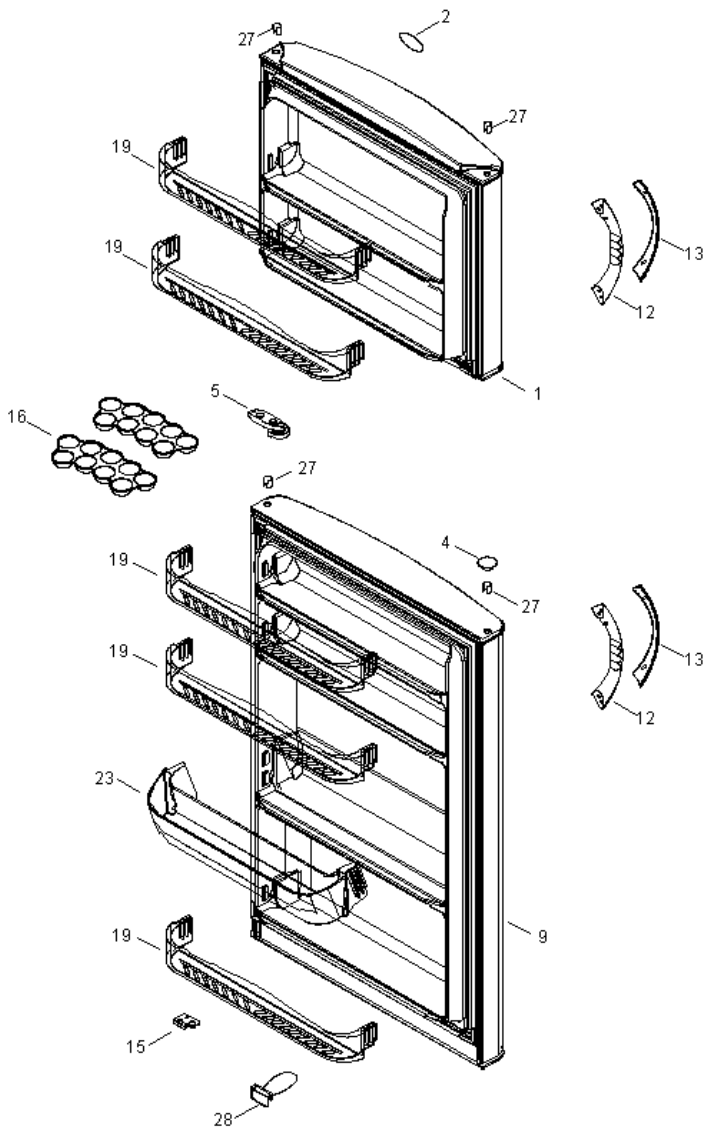
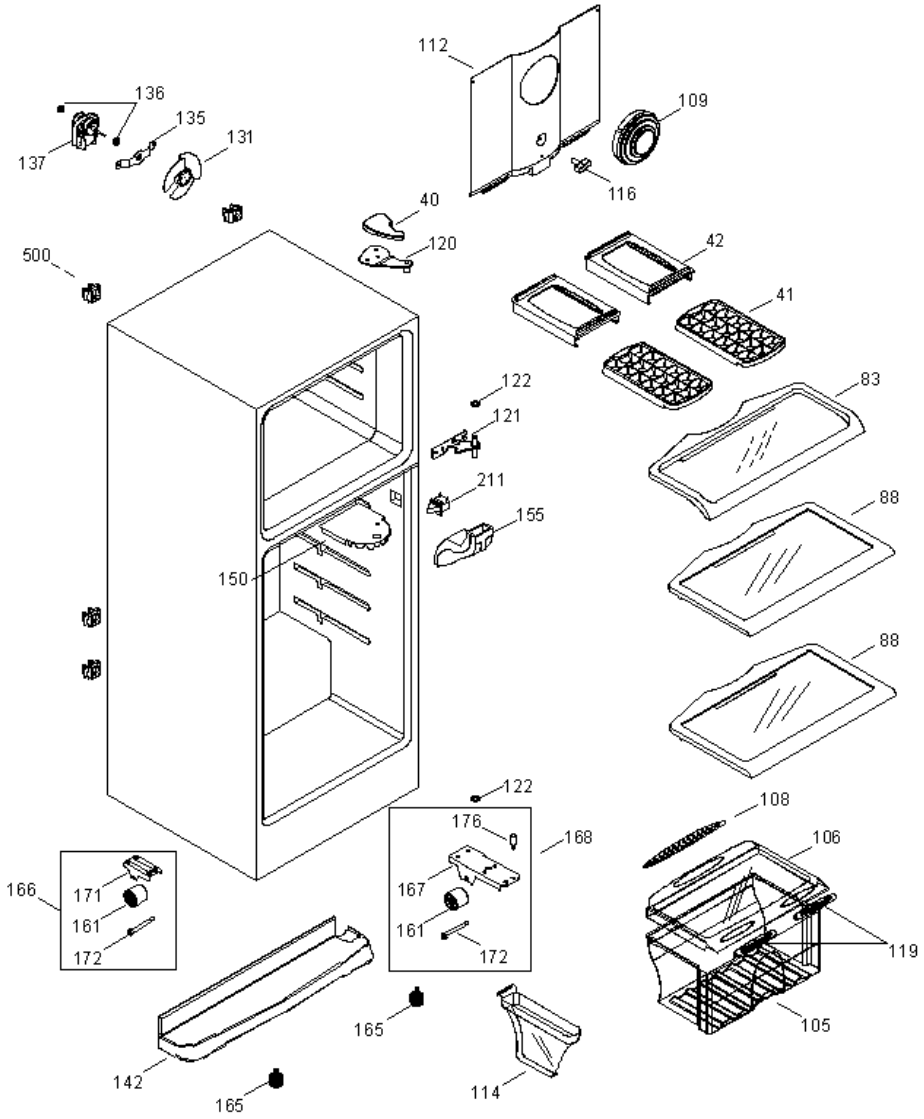


RM75YS020-ELEC



RM75YS020-ELEC

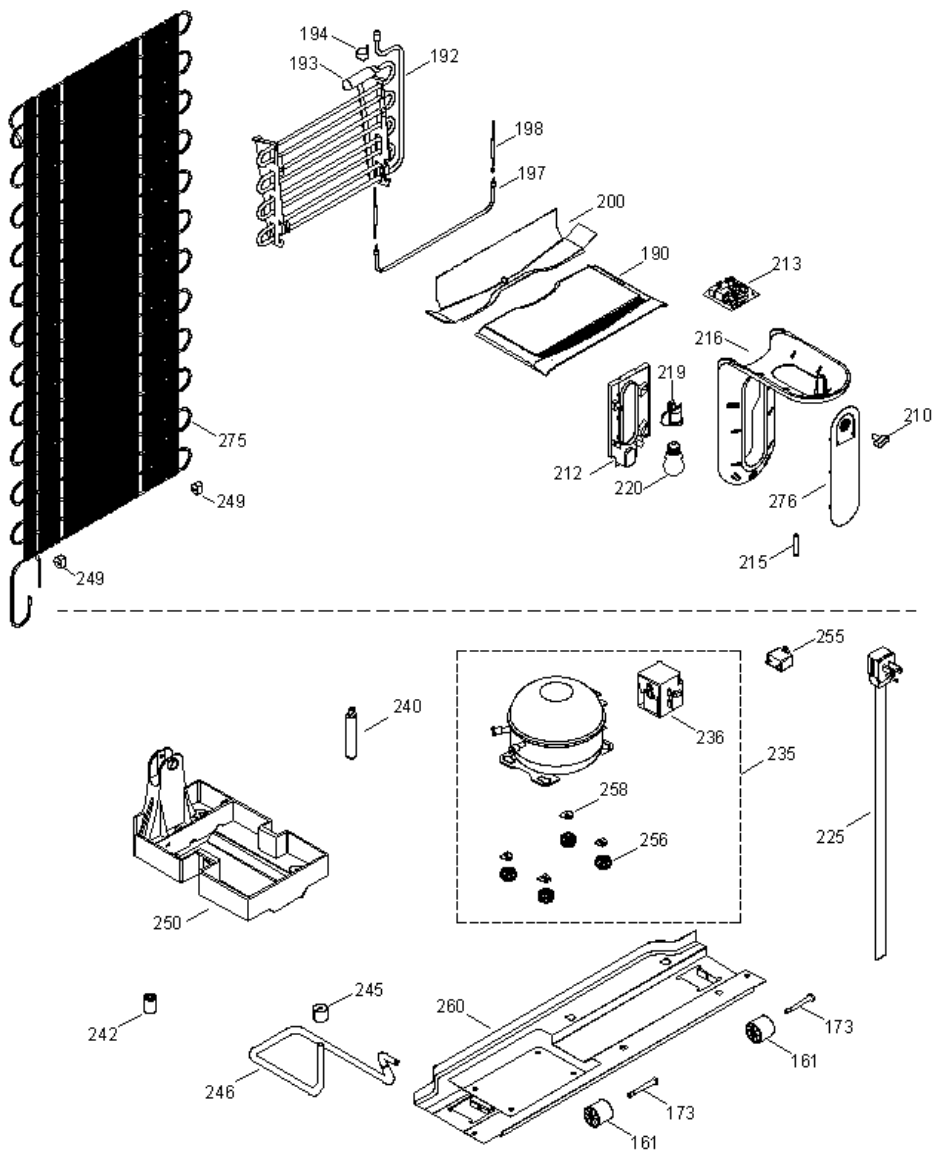


Distribuidor Autorizado

SurteRápido.com

Venta de Refacciones
Electrodomesticas

RM75YS020-ELEC





RM75YS020-ELEC

1	200D4237G006	PUERTA CURVA LISA CONG ENS SIL (S/P)
2	238C1845P003	PLACA EMBLEMA MABE (SILVER) (S/P)
4	238C1221P003	TAPON BUJE (GRIS) (S/P)
5	355B1499P003	TOPE PUERTA CONGELADOR (S/P)
9	200D4191G007	PUERTA CURVA LISA REF ENS SILV (S/P)
12	200D3428P001	BASE JALADERA (S/P)
13	238C1953P001	INSERTO JALADERA (S/P)
15	238C2106P001	TOPE PUERTA REFRIGERADOR (S/P)
16	200D2724P004	CHAROLA DE HUEVOS (S/P)
19	200D2107P002	ANAQUEL ANGOSTO REFRI/CONG. (S/P)
23	200D4235P001	ANAQUEL INCLINADO (S/P)
27	238C2207P001	BUJE PUERTA (S/P)
28	238C1174P003	SEPARADOR BOTELLAS (S/P)
40	200D1480P005	TAPA BISAGRA GRIS (S/P)
41	200D2953P003	CHAROLA CUBOS DE HIELO (S/P)
42	238C1196P001	SOPORTE CHAROLA DE HIELOS DESCONTINUADO
83	355B1394G001	PARRILLA DE CRISTAL CONG. ENS. (S/P)
88	355B1099G001	PARRILLA DE CRISTAL REF. ENS. (S/P)
105	200D1333P002	CAJON LEGUMBRES (S/P)
106	238C1831G004	TAPA CAJON LEGUMBRES ENS (S/P)
108	200D2796P004	INSERTO TAPA CAJON LEGUMBRES (S/P)
109	200D1425P004	DIFUSOR CONGELADOR DESCONTINUADO
112	200D3277G005	CUBIERTA EVAPORADOR ENS. (S/P)
114	200D2832P001	SEPARADOR CAJON LEGUMBRES (S/P)
116	238C1183P004	PERILLA REGULADOR DE AIRE (S/P)
119	200D2681P001	CONTROL DE HUMEDAD DESCONTINUADO
120	200D3939G003	BISAGRA SUPERIOR DERECHA (S/P)
121	355B1718G006	BISAGRA INTERMEDIA (S/P)
122	238C1981P001	RONDANA BISAGRA (S/P)
131	197D3131G002	ASPA VENTILADOR Y ANILLO ENS. (S/P)
135	238C1189P002	SOPORTE MOTOR VENTILADOR (S/P)
136	221C5143P001	EMPAQUE MOTOR VENTILADOR (S/P)
137	MAR830	MOTOR VENTILADOR EVAP.

142	200D4283P003	FALDON CURVO NGO. (S/P)
150	238C1839P001	AISLANTE ELECTRICO (S/P)
155	9001883	DUCTO ESPUMA ENSAMBLE (S/P)
161	238C1208P001	RUEDA REFRIGERADOR (S/P)
165	314B8640P003	TORNILLO NIVELADOR (NGO) (S/P)
166	200D3263G003	SOPORTE RUEDA ENSAMBLE (S/P)
167	238C1165P005	SOPORTE RUEDAS C/BIS.INF. (S/P)
168	200D3283G003	BISAGRA INF. ENSAMBLE (S/P)
171	238C1164P005	SOPORTE RUEDA (S/P)
172	238C1826P001	EJE RUEDA DELANTERA (S/P)
173	238C1826P002	EJE RUEDA TRASERA (S/P)
176	238C1211P001	PERNO DE BISAGRA INFERIOR (S/P)
190	200D1400P001	PISO CONGELADOR (S/P)
192	200D2282G004	EVAPORADOR ENS. (S/P)
193	221C8290P002	ACUMULADOR DESCONTINUADO
194	238C1015P004	TERMOSTATO (S/P)
197	221C6513G001	RESISTENCIA DESHIELO 115-127V (S/P)
198	238C2025G002	ARNES FUSIBLE RESISTENCIA (S/P)
200	200D1932P001	CHAROLA DE DESHIELO (S/P)
210	238C1191P003	PERILLA CONTROL DE TEMPERATURA (S/P)
211	314B8274P001	INTERRUPTOR FOCO (S/P)
212	238C1843G001	DUCTO CAJA CONTROL (S/P)
213	MAR780	TARJETA ELECTRONICA
215	314B8355P001	TORNILLO 8-19 HI/LO (S/P)
216	200D1467P001	CAJA CONTROL DE TEMPERATURA (S/P)
219	186D1259G001	SOCKET Y TERM ENS (S/P)
220	314B9124P001	FOCO (25 W) (S/P)
225	200D1524G001	ARNES TOMACORRIENTE POLAR (S/P)
235	20601112199	COMPRESOR 115-127V DESCONTINUADO
236	355B1712P001	ACC. ELECT. 5SP09B408RH (S/P)
240	221C5100P002	FILTRO DESHIDRATADOR (S/P)
242	355B1473P001	VALVULA TUBO DREN (S/P)
245	314B8294P001	AMORTIGUADOR VIBRACION (S/P)
246	200D2589G002	TUBO SERPENTIN AUXILIAR ENS. (S/P)
249	314B9163P003	AMORTIGUADOR PARA CONDENSADOR (S/P)
250	200D1498P001	CHAROLA EVAPORACION (S/P)
255	MAR945	CAPACITOR
256	203C5262P001	AMORTIGUADOR (S/P)

258	871516P006	SEGURO DE SUJECION COMPRESOR (S/P)
260	200D2234P002	SOPORTE COMPRESOR DESCONTINUADO
275	200D5028P002	CONDENSADOR PLANO (S/P)
276	200D2802P021	DIFUSOR LAMPARA REF (S/P)
500	238C2369P001	CLIP CONDENSADOR PLANO (S/P)