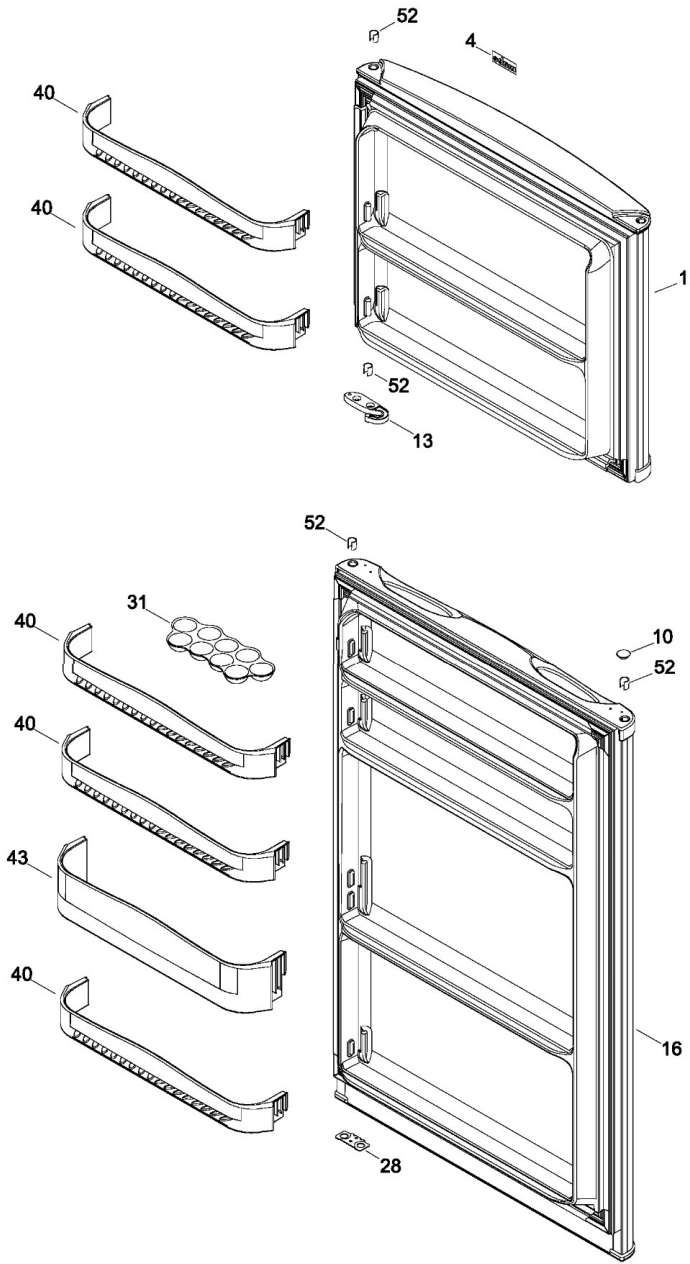


Refrigerador Mabe RM77V04B2

PARTES PARA PUERTA

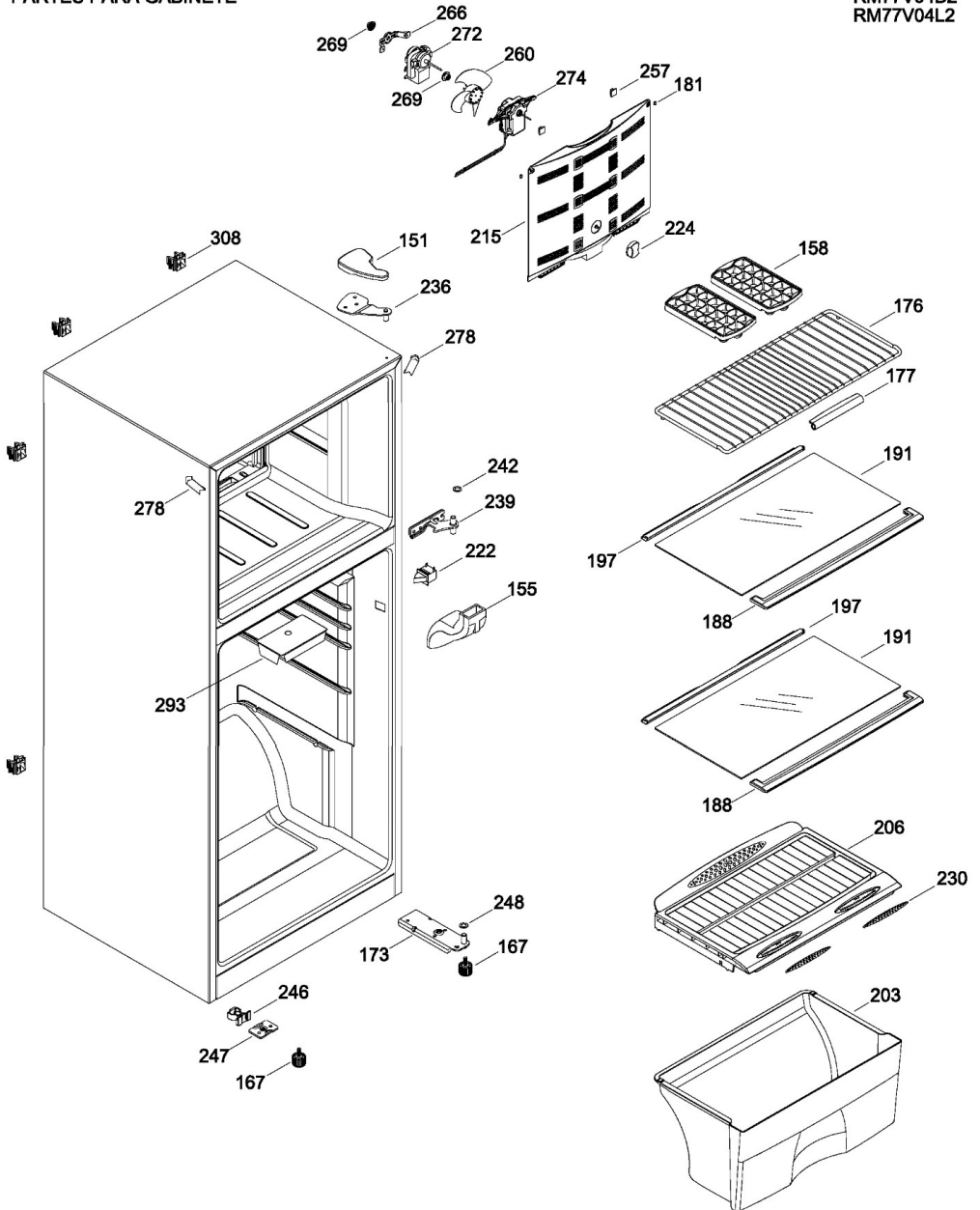
RM77V04B2
 RM77V04L2



Refrigerador Mabe RM77V04B2

PARTES PARA GABINETE

RM77V04B2
 RM77V04L2

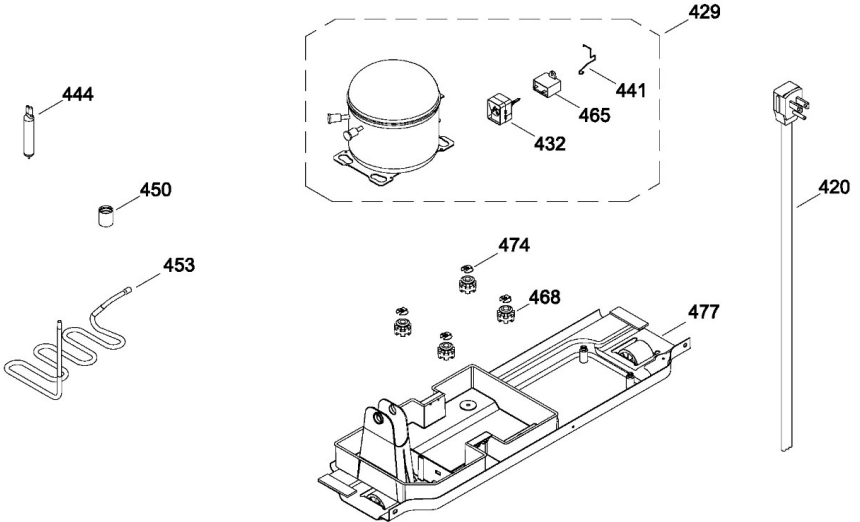
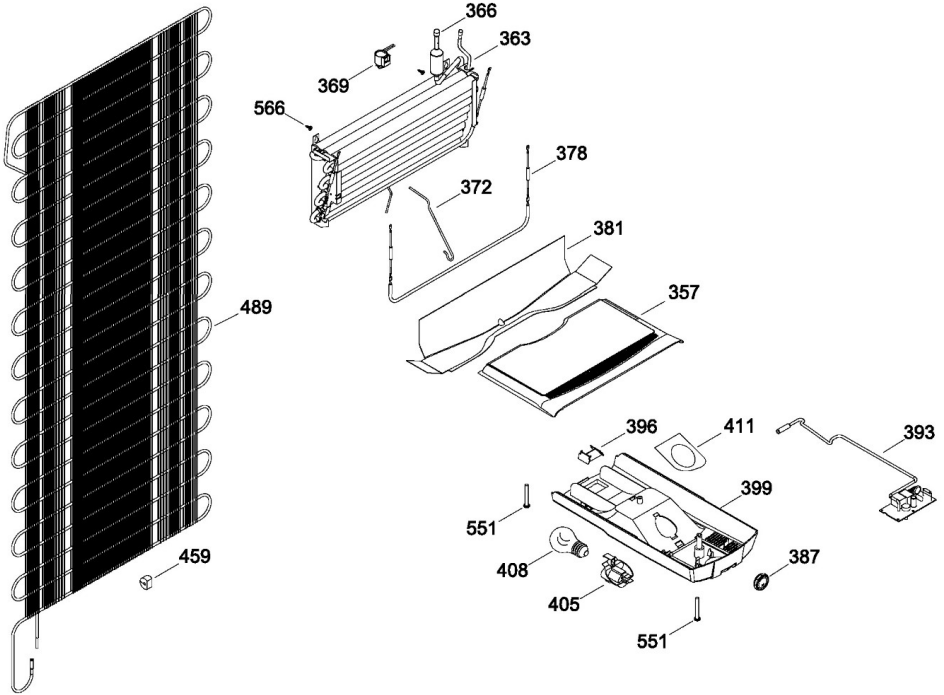


206.- TAPA CAJON LEGUMBRES ENS.

Refrigerador Mabe RM77V04B2

PISO CONGELADOR Y UNIDAD REFRIGERANTE

RM77V04B2
 RM77V04L2



Guía	Componente	Descripción
1	200D3694G011E	PUERTA CURVA CONG ENS BCA
4	238C2758P001	NAMEPLATE MABE
4	277B1234P002	NAMEPLATE MABE
10	238C1221P001	TAPON BUJE
13	355B1499P006	TOPE PUERTA INTERMEDIO
16	200D1597G016	PUERTA REFR.
28	221C5251P002	TOPE PUERTA REFR.
31	238C1489P006	RACK HUEVOS
40	200D2107P002	ANAQUEL
43	200D2108P002	ANAQUEL
52	238C2207P001	BUJE BISA 1GRA
151	200D1480P001	TAPA BISAGRA
155	9001882	DUCTO ESPUMA ENS.
158	200D2953P003	CHAROLA HIELOS
158	186D5236P001	CHAROLA HIELOS
167	314B8640P010	TORNILLO NIVELADOR
173	200D3283G008	SOPORTE RUEDA
173	200D3283G009	SOPORTE RUEDA
176	238C1770P002	PARRILLA CONG.
177	238C1788P001	REMATE PARRILLA
181	314B9397P001	TAPON TORNILLO BISAGRA
188	238C2723P001	REMATE PARRILLA FRONTAL
191	238C2738P001	CRISTAL PARRILLA
197	238C2724P001	REMATE PARRILLA POST.
203	238C1833G005E	ENS.CAJON LEG.GDE.SIN
206	238C2796G001	TAPA CAJ.LEG.GDE.PLAST
215	225D2477G008	CUBIERTA EVAPORADOR

Guía	Componente	Descripción
222	314B8274P001	INTERRUPTOR FOCO
224	355B2155P006	PERILLA DAMPER
230	200D2681P002	CONTROL HUMEDAD
236	200D3939G003	ENS. BISAGRA
239	355B1718G012	BISAGRA INTERMEDIA ENS.
239	355B3920G001	BISAGRA INTERMEDIA ENS.
242	238C1981P001	ESPACIADOR BISAGRA
242	238C1981P002	ESPACIADOR BISAGRA
246	238C3981P001	ESPACIADOR PLASTICO
247	238C3963P001	SOPORTE NIVELADOR
248	203C2032P010	RONDANA BISAGRA
257	355B1485P001	CLIP ADHESIVO EVAP
260	197D3131G006	ASPA DE VENTILADOR ENS
266	238C4068P001	BRACKET VENTILADOR CONG.
269	221C5143P001	EMPAQUE VENTILADOR
272	200D2940P011	MOTOR VENTILADOR SUNG SHIN
274	225D6184G003	ENS. MOTOR VENTILADOR
274	225D6184G001	ENS. MOTOR VENTILADOR
278	186D5264P007	ESQUINERO POLAR FASE 1 P
293	355B2381P001	AISLANTE ELECTRICO SUP
308	238C2369P001	CLIP CONDENSADOR PLANO CH
308	238C2369P006	CLIP CONDENSADOR PLANO CH
357	200D1400P001	PISO CONG.
363	200D6739G007	ENS.COMP.EVAP.EST.12"14"POLAR
366	238C1961G007	ACUM.ENS.12"14"PRISMATICO
369	238C1015P011	TERMOSTATO
372	203C5692P003	CONDUCTOR DE CALOR P/ DESHIELO



Refrigerador Mabe RM77V04B2

Guía	Componente	Descripción
378	238C2216G021	ENS. RESISTENCIA
381	200D1932P001	CHAROLA DE DESHIELO
387	238C3223P002	PERILLA CONTROL TEMP.
393	200D9607G008	TARJETA CONTROL
393	225D7291G006	TARJETA CONTROL
396	238C1799P001	DIFUSOR CAJA ESTÃ NDAR
399	200D9890P002	CAJA CONTROL
405	186D1259G001	SOCKET ENS.
408	314B9124P001	LAMPARA
411	238C2629P001	FOIL DE ALUMINIO
420	200D6711G001	ARNES TOMACORRIENTE
429	C-BZN100L2G	COMPRESOR
429	200D5729P020	COMPRESOR
432	200D5578P016	PROTECTOR RELEVADOR
441	355B2089P004	SUJETADOR CLIP 5SP
441	355B2089P010	SUJETADOR CLIP 5SP
444	221C5100P006	FILTRO DESHIDRATADOR
450	355B1473P001	VALVULA DREN
453	200D2589G002	ENS. TUBO AUX.
453	200D2589G008	ENS. TUBO AUX.
459	314B9163P003	AMORTIGUADOR PARA CONDENSADOR
465	238C2606P002	CAPACITOR
468	238C4369P001	AMORTIGUADOR
474	871516P006	CLIP COMPRESOR
477	200D3274G003	ENS. SOPORTE COMPRESOR
489	200D5028P001	CONDENS.ADOR
551	314B8355P001	TORNILLO 8-19