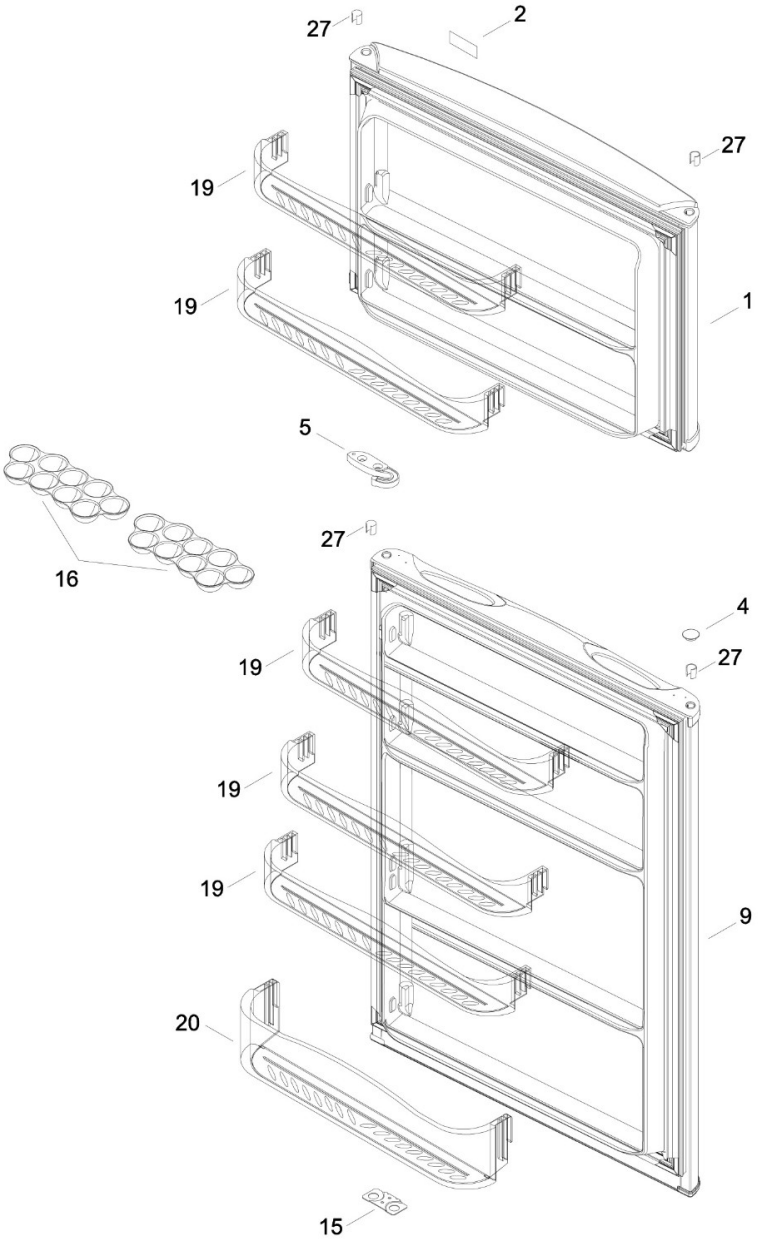


PARTES PARA PUERTA/DOOR PARTS

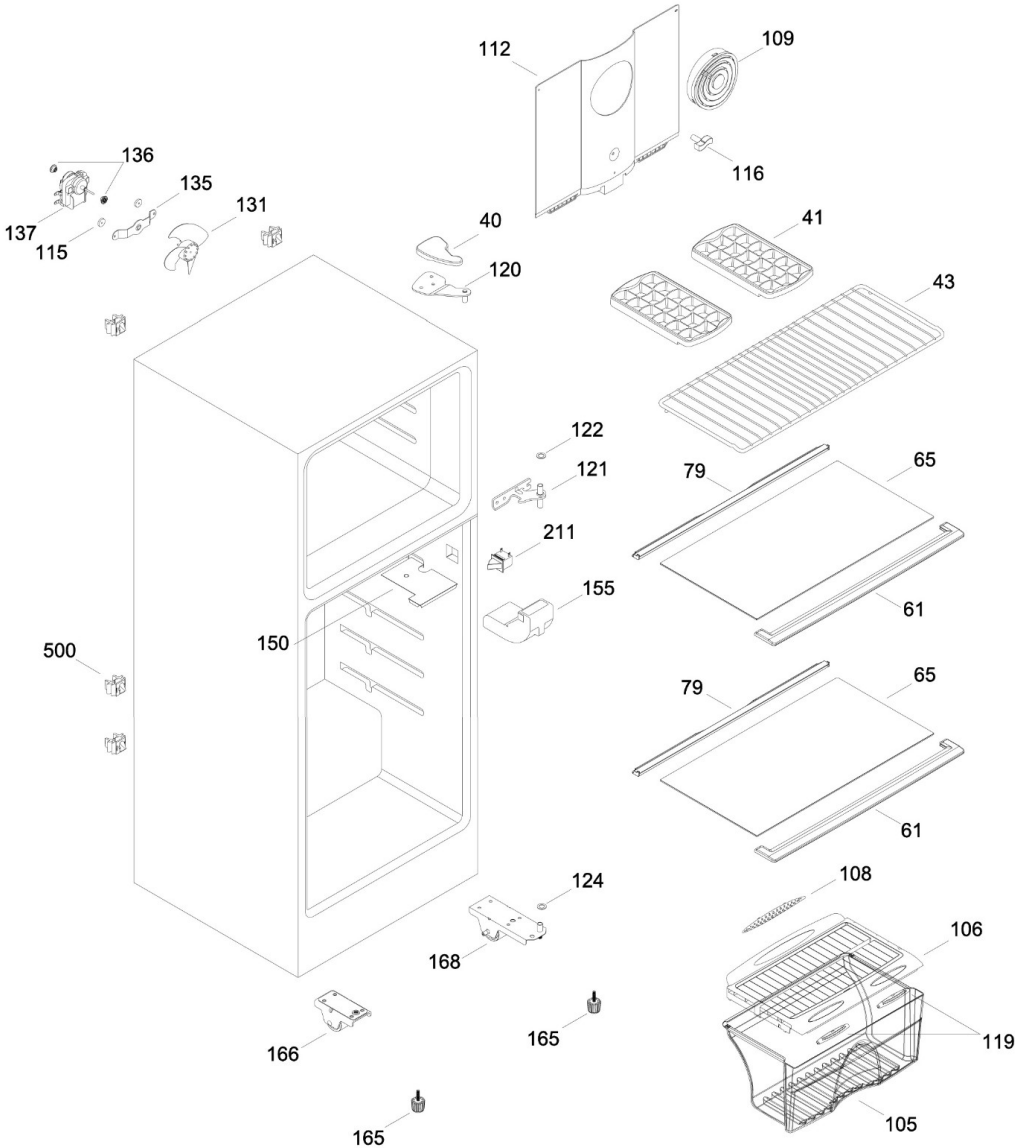
RM77V04B1
 RM77V04L1



Refrigerador Mabe RM77V04L1

PARTES PARA GABINETE/ CABINET PARTS

RM77V04B1
 RM77V04L1

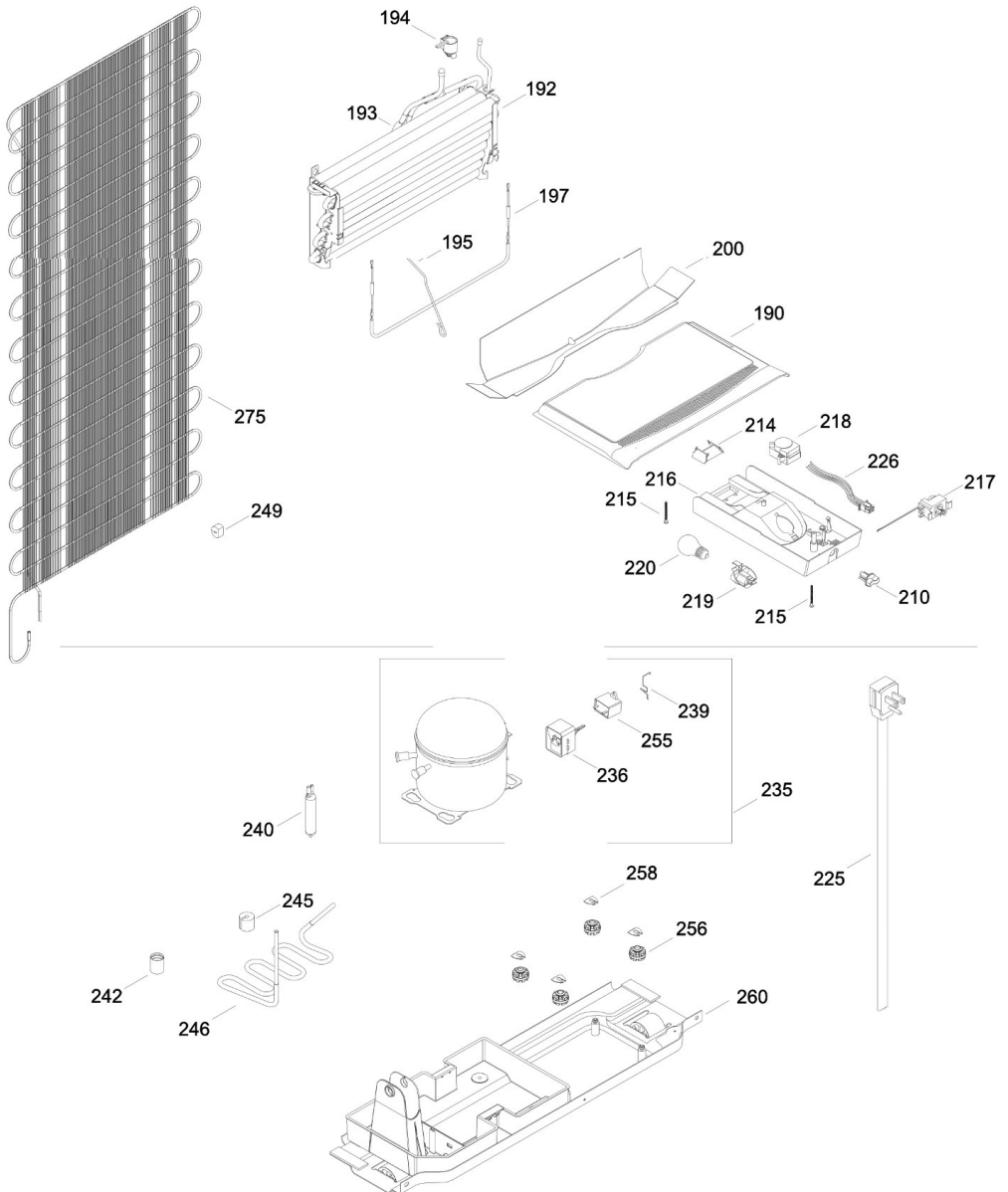


106.- TAPA CAJON LEGUMBRES ENS. VEG PAN ASM.

Refrigerador Mabe RM77V04L1

PISO CONGELADOR Y UNIDAD REFRIGERANTE / FLOOR FZ AND LOW UNIT ASM

RM77V04B1
 RM77V04L1



Guía	Componente	Descripción
1	200D3694G012E	PUERTA CURVA CONG ENS BISQUE
2	238C2758P001	NAMEPLATE MABE
2	277B1234P002	NAMEPLATE MABE
4	238C1221P004	TAPON BUJE BISQUE
5	355B1499P006	TOPE PUERTA INTERMEDIO
9	200D1597G017	PUERTA REFR.
15	221C5251P002	TOPE PUERTA REFR.
16	238C1489P006	RACK HUEVOS
19	200D2107P002	ANAQUEL
20	200D2108P002	ANAQUEL
40	200D1480P007	TAPA BISAGRA BISQUE
43	238C1770P002	PARRILLA CONG.
52	238C2207P001	BUJE BISA 1GRA
61	238C2723P001	REMATE PARRILLA FRONTAL
65	238C2738P001	CRISTAL PARRILLA
79	238C2724P001	REMATE PARRILLA POST.
105	238C1833G005	ENS. CAJON LEGUMBRES
106	238C2796G001	TAPA CAJ.LEG.GDE.PLAST
108	200D2796P007	INSERTO TAPA CAJON LEG AZUL
109	200D1425P008	DIFUSOR AIRE
112	9002140	CUBIERTA EVAP. CON FOIL
115	314B8295P002	FOAM WASHER
116	238C1183P007	PERILLA REG. AIRE
119	200D2681P002	CONTROL HUMEDAD
121	355B1718G004	BISAGRA INTERMEDIA ENS.
122	238C1981P001	ESPACIADOR BISAGRA
122	238C1981P002	ESPACIADOR BISAGRA

Guía	Componente	Descripción
135	238C1189P002	SOPORTE MOTOR EVAPORADOR
137	200D2940P005	MOTOR VENTILADOR
137	200D2940P009	MOTOR VENTILADOR
150	238C1641P001	AISLAMIENTO ELECT.P/ELECTROMECA
155	9001882	DUCTO ESPUMA ENS.
158	200D2953P003	CHAROLA HIELOS
158	186D5236P001	CHAROLA HIELOS
166	200D3263G008	SOPORTE RUEDA ENS.
167	314B8640P010	TORNILLO NIVELADOR
168	200D3283G006	SOP. RUEDA LARGO POLAR
190	200D1400P001	PISO CONG.
192	200D6739G002	ENS. COMPRESOR EVAPORADOR
193	221C8290P002	ACUMULADOR
193	221C8290P003	ACUMULADOR
194	238C1015P009	TERMOSTATO
194	238C1015P011	TERMOSTATO
195	203C5692P003	CONDUCTOR DE CALOR P/ DESHIELO
197	238C2216G008	ENS. RESISTENCIA
200	200D1932P001	CHAROLA DE DESHIELO
210	238C1192P007	PERILLA CONTROL
211	314B8274P001	INTERRUPTOR FOCO
214	238C1799P001	DIFUSOR CAJA ESTÁNDAR
216	200D1424P015	CAJA CONTROL STD
217	200D3568P001	CONTROL TEMPERATURA
218	162D6022P006	CONTROL DESHIELO
219	186D1259G001	SOCKET ENS.
220	314B9124P001	LAMPARA

Guía	Componente	Descripción
225	200D1524G001	ARNES PRINCIPAL (ELECTRONICOS)
226	200D3126G001	ARNES CAJA CONTROL
235	C-BZN100L2G	COMPRESOR
235	200D5729P020	COMPRESOR
236	200D3939G003	ENS. BISAGRA
236	200D5578P016	PROTECTOR RELEVADOR
239	355B2089P004	SUJETADOR CLIP 5SP
239	355B2089P010	SUJETADOR CLIP 5SP
240	162D9086P004	FILTRO DESHIDRATADOR
240	221C5100P008	FILTRO DESHIDRATADOR
245	314B8294P001	AMORTIGUDOR VIBRACION
246	200D2589G002	ENS. TUBO AUX.
246	200D2589G008	ENS. TUBO AUX.
248	203C2032P010	RONDANA BISAGRA
255	238C2606P002	CAPACITOR
256	203C5262P001	ARANDELA COMPRESOR
260	197D3131G006	ASPA DE VENTILADOR ENS
260	200D3274G003	ENS. SOPORTE COMPRESOR
269	221C5143P001	EMPAQUE VENTILADOR
275	200D5028P002	CONDENSADOR
308	238C2369P001	CLIP CONDENSADOR PLANO CH
308	238C2369P006	CLIP CONDENSADOR PLANO CH
450	355B1473P001	VALVULA DREN
459	314B9163P003	AMORTIGUADOR PARA CONDENSADOR
474	871516P006	CLIP COMPRESOR
551	314B8355P001	TORNILLO 8-19