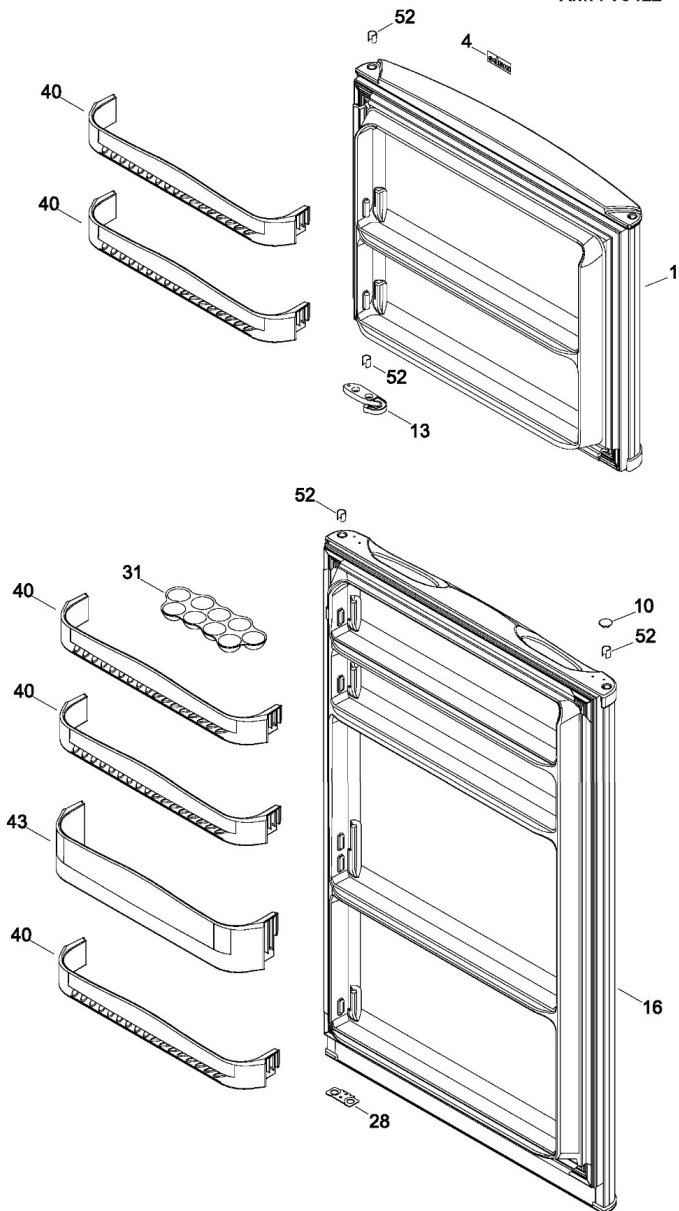


PARTES PARA PUERTA

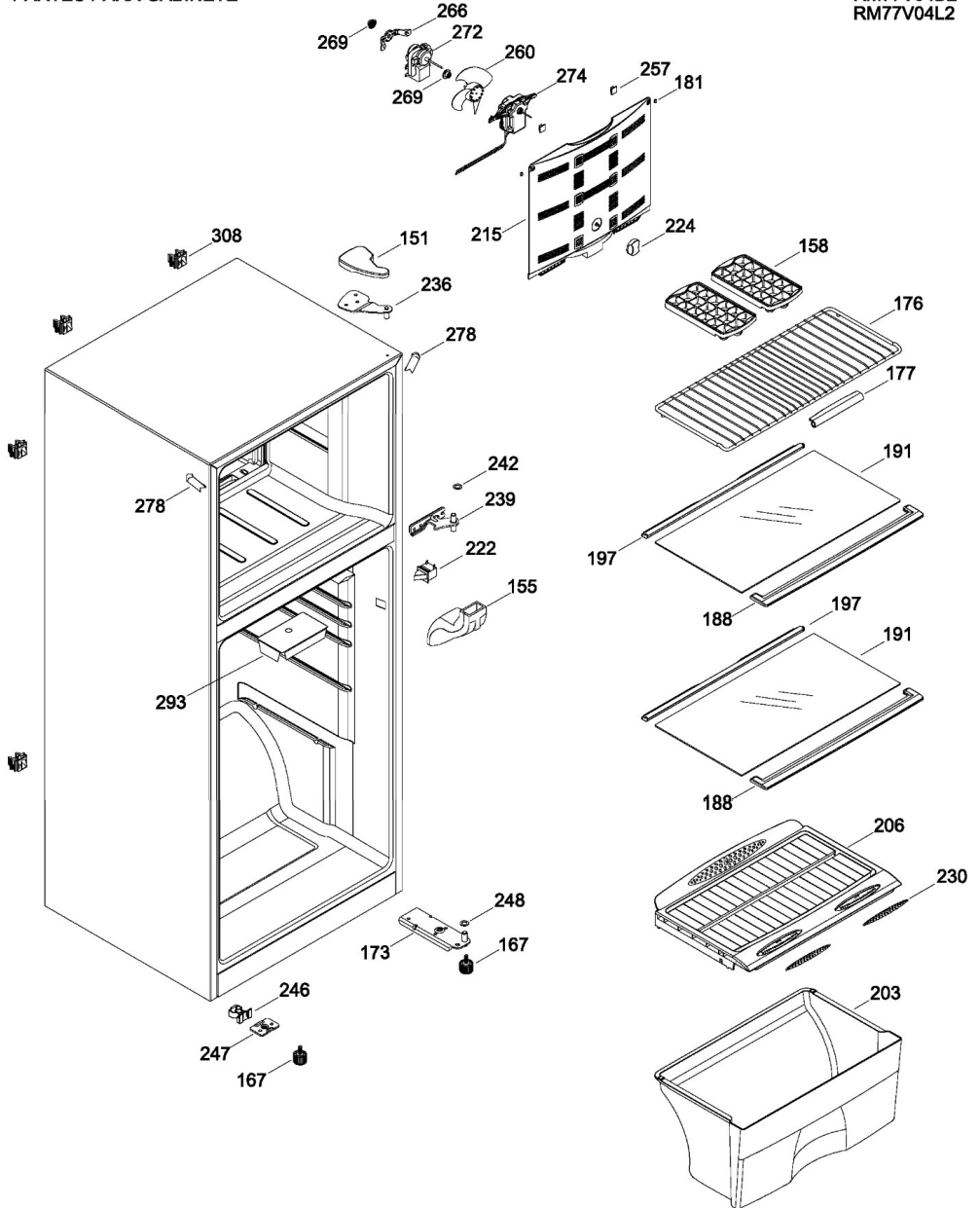
RM77V04B2  
 RM77V04L2



Refrigerador Mabe RM77V04L2

PARTES PARA GABINETE

RM77V04B2  
 RM77V04L2

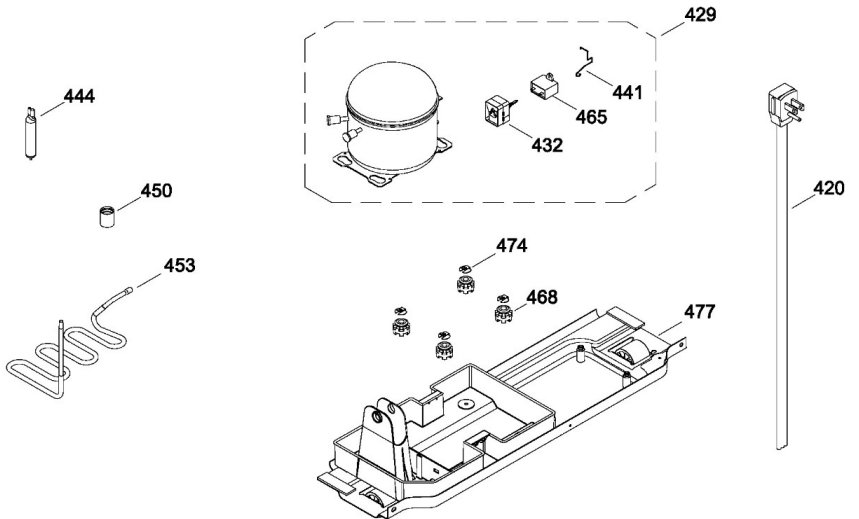
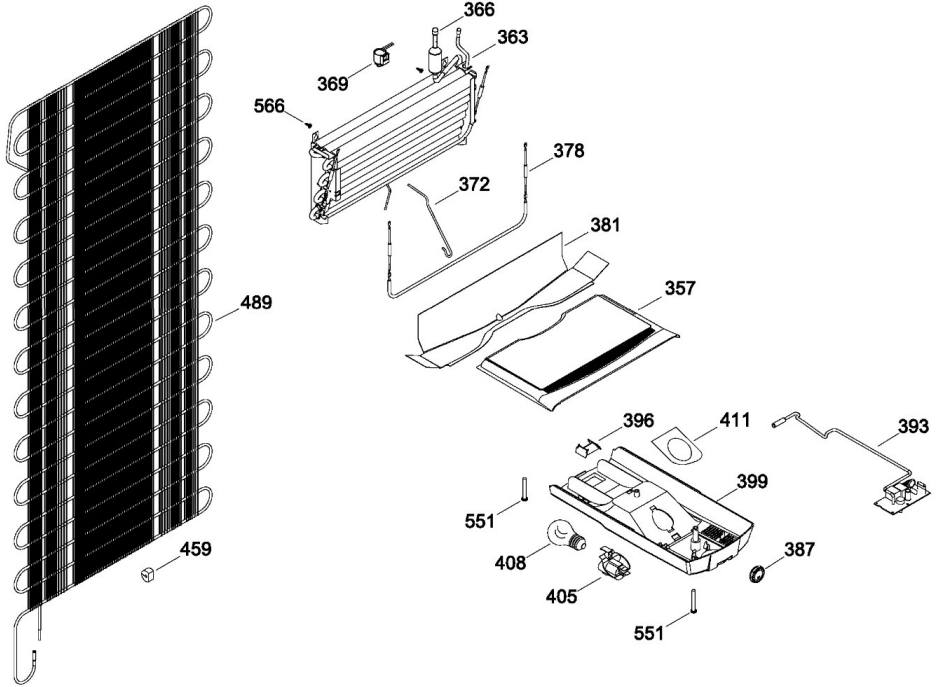


206.- TAPA CAJON LEGUMBRES ENS.

Refrigerador Mabe RM77V04L2

PISO CONGELADOR Y UNIDAD REFRIGERANTE

RM77V04B2  
 RM77V04L2



| Guía | Componente    | Descripción                  |
|------|---------------|------------------------------|
| 1    | 200D3694G012E | PUERTA CURVA CONG ENS BISQUE |
| 4    | 238C2758P001  | NAMEPLATE MABE               |
| 4    | 277B1234P002  | NAMEPLATE MABE               |
| 10   | 238C1221P004  | TAPON BUJE BISQUE            |
| 13   | 355B1499P006  | TOPE PUERTA INTERMEDIO       |
| 16   | 200D1597G017  | PUERTA REFR.                 |
| 28   | 221C5251P002  | TOPE PUERTA REFR.            |
| 31   | 238C1489P006  | RACK HUEVOS                  |
| 40   | 200D2107P002  | ANAQUEL                      |
| 43   | 200D2108P002  | ANAQUEL                      |
| 52   | 238C2207P001  | BUJE BISA 1GRA               |
| 151  | 200D1480P007  | TAPA BISAGRA BISQUE          |
| 155  | 9001882       | DUCTO ESPUMA ENS.            |
| 158  | 200D2953P003  | CHAROLA HIELOS               |
| 158  | 186D5236P001  | CHAROLA HIELOS               |
| 167  | 314B8640P010  | TORNILLO NIVELADOR           |
| 173  | 200D3283G008  | SOPORTE RUEDA                |
| 173  | 200D3283G009  | SOPORTE RUEDA                |
| 176  | 238C1770P002  | PARRILLA CONG.               |
| 177  | 238C1788P001  | REMATE PARRILLA              |
| 181  | 314B9397P001  | TAPON TORNILLO BISAGRA       |
| 188  | 238C2723P001  | REMATE PARRILLA FRONTAL      |
| 191  | 238C2738P001  | CRISTAL PARRILLA             |
| 197  | 238C2724P001  | REMATE PARRILLA POST.        |
| 203  | 238C1833G005E | ENS.CAJON LEG.GDE.SIN        |
| 206  | 238C2796G001  | TAPA CAJ.LEG.GDE.PLAST       |
| 215  | 225D2477G008  | CUBIERTA EVAPORADOR          |

| Guía | Componente   | Descripción                    |
|------|--------------|--------------------------------|
| 222  | 314B8274P001 | INTERRUPTOR FOCO               |
| 224  | 355B2155P006 | PERILLA DAMPER                 |
| 230  | 200D2681P002 | CONTROL HUMEDAD                |
| 236  | 200D3939G003 | ENS. BISAGRA                   |
| 239  | 355B1718G012 | BISAGRA INTERMEDIA ENS.        |
| 239  | 355B3920G001 | BISAGRA INTERMEDIA ENS.        |
| 242  | 238C1981P001 | ESPACIADOR BISAGRA             |
| 242  | 238C1981P002 | ESPACIADOR BISAGRA             |
| 246  | 238C3981P001 | ESPACIADOR PLASTICO            |
| 247  | 238C3963P001 | SOPORTE NIVELADOR              |
| 248  | 203C2032P010 | RONDANA BISAGRA                |
| 257  | 355B1485P001 | CLIP ADHESIVO EVAP             |
| 260  | 197D3131G006 | ASPA DE VENTILADOR ENS         |
| 266  | 238C4068P001 | BRAKET VENTILADOR CONG.        |
| 269  | 221C5143P001 | EMPAQUE VENTILADOR             |
| 272  | 200D2940P011 | MOTOR VENTILADOR SUNG SHIN     |
| 274  | 225D6184G003 | ENS. MOTOR VENTILADOR          |
| 274  | 225D6184G001 | ENS. MOTOR VENTILADOR          |
| 278  | 186D5264P008 | ESQUINERO PLASTICO BISQUE      |
| 293  | 355B2381P001 | AISLANTE ELECTRICO SUP         |
| 308  | 238C2369P001 | CLIP CONDENSADOR PLANO CH      |
| 308  | 238C2369P006 | CLIP CONDENSADOR PLANO CH      |
| 357  | 200D1400P001 | PISO CONG.                     |
| 363  | 200D6739G007 | ENS.COMP.EVAP.EST.12"14"POLAR  |
| 366  | 238C1961G007 | ACUM.ENS.12"14"PRISMATICO      |
| 369  | 238C1015P011 | TERMOSTATO                     |
| 372  | 203C5692P003 | CONDUCTOR DE CALOR P/ DESHIELO |

| Guía | Componente   | Descripción                   |
|------|--------------|-------------------------------|
| 378  | 238C2216G021 | ENS. RESISTENCIA              |
| 381  | 200D1932P001 | CHAROLA DE DESHIELO           |
| 387  | 238C3223P002 | PERILLA CONTROL TEMP.         |
| 393  | 200D9607G008 | TARJETA CONTROL               |
| 393  | 225D7291G006 | TARJETA CONTROL               |
| 396  | 238C1799P001 | DIFUSOR CAJA ESTÃ NDAR        |
| 399  | 200D9890P002 | CAJA CONTROL                  |
| 405  | 186D1259G001 | SOCKET ENS.                   |
| 408  | 314B9124P001 | LAMPARA                       |
| 411  | 238C2629P001 | FOIL DE ALUMINIO              |
| 420  | 200D6711G001 | ARNES TOMACORRIENTE           |
| 429  | C-BZN100L2G  | COMPRESOR                     |
| 429  | 200D5729P020 | COMPRESOR                     |
| 432  | 200D5578P016 | PROTECTOR RELEVADOR           |
| 441  | 355B2089P004 | SUJETADOR CLIP 5SP            |
| 441  | 355B2089P010 | SUJETADOR CLIP 5SP            |
| 444  | 221C5100P006 | FILTRO DESHIDRATADOR          |
| 450  | 355B1473P001 | VALVULA DREN                  |
| 453  | 200D2589G002 | ENS. TUBO AUX.                |
| 453  | 200D2589G008 | ENS. TUBO AUX.                |
| 459  | 314B9163P003 | AMORTIGUADOR PARA CONDENSADOR |
| 465  | 238C2606P002 | CAPACITOR                     |
| 468  | 238C4369P001 | AMORTIGUADOR                  |
| 474  | 871516P006   | CLIP COMPRESOR                |
| 477  | 200D3274G003 | ENS. SOPORTE COMPRESOR        |
| 489  | 200D5028P001 | CONDENS.ADOR                  |
| 551  | 314B8355P001 | TORNILLO 8-19                 |