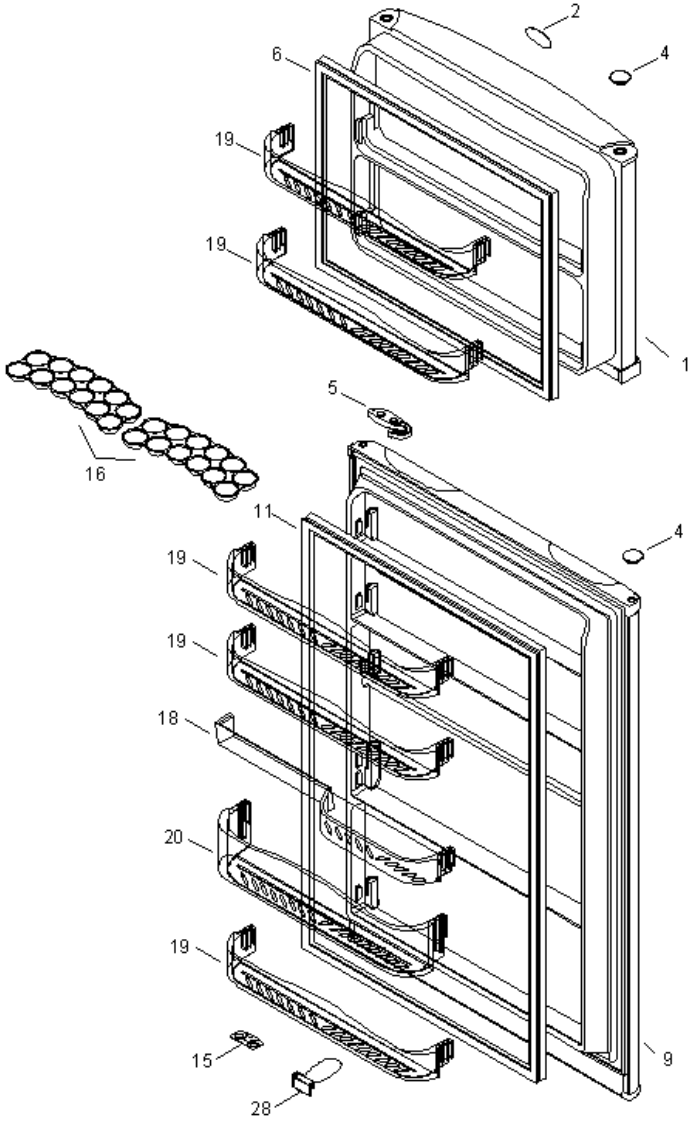
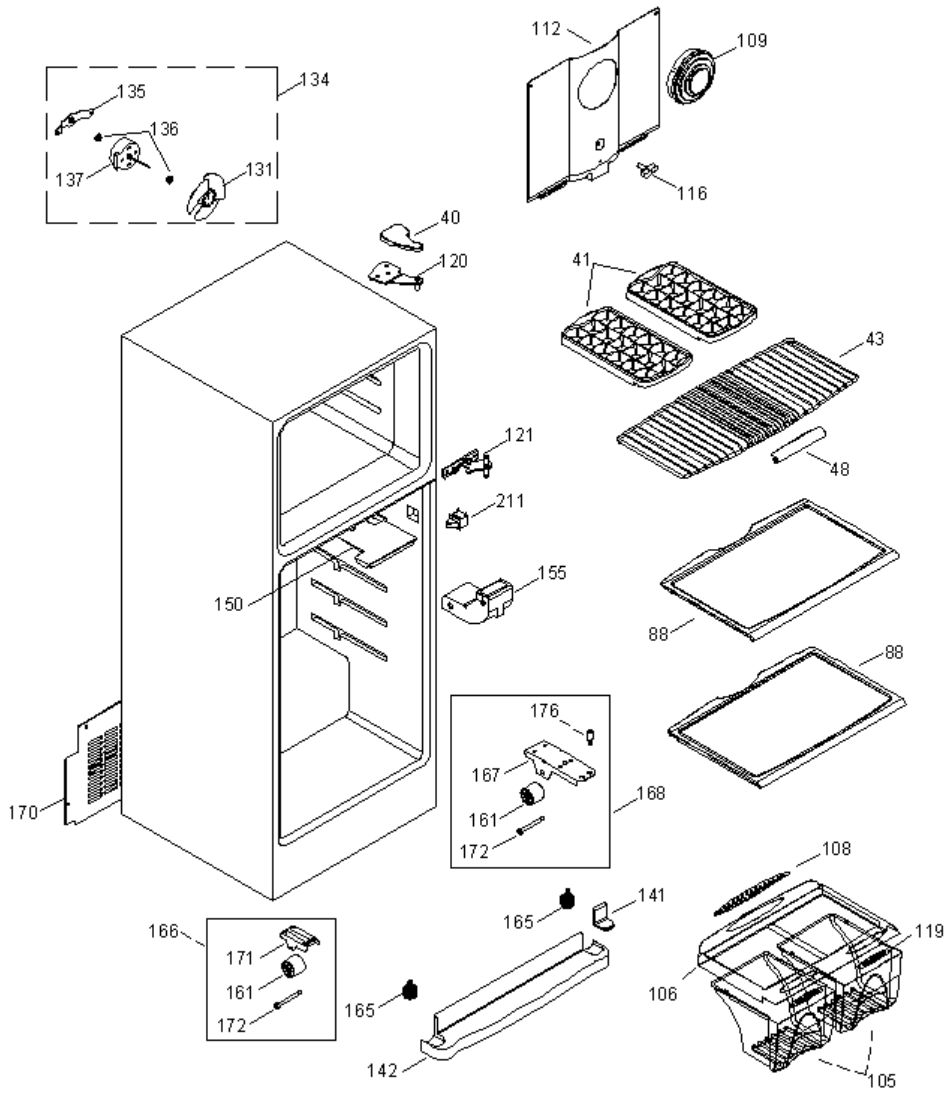


**RM87WB010**



**RM87WB010**







RM87WB010

1	200D2686G001	PUERTA CURVA LISA CONG ENS BCA (S/P)
2	238C1845P001	PLACA EMBLEMA MABE (BCA) (S/P)
4	238C1221P001	TAPON BUJE BLANCO (S/P)
5	355B1499P001	TOPE PUERTA CONGELADOR (S/P)
6	200D3604P010	SELLO MAGNETICO CONGELADOR BCO (S/P)
9	200D2683G006	PUERTA CURVA LISA REF ENS BCA (S/P)
11	200D3604P011	SELLO MAGNETICO (BCO) (S/P)
15	221C5251P002	TOPE PUERTA REFRIGERADOR (S/P)
16	238C1592P001	CHAROLA DE HUEVOS (S/P)
18	200D2315P001	ANAQUEL DOBLE PROFUNDIDAD (S/P)
19	200D2316P001	ANAQUEL ANGOSTO CONG/REFRIG. (S/P)
20	200D2317P001	ANAQUEL ANCHO ALTO (S/P)
28	238C1174P001	SEPARADOR BOTELLAS <b>DESCONTINUADO</b>
40	200D1480P001	TAPA BISAGRA DER BLANCA (S/P)
41	200D2953P001	CHAROLA CUBOS DE HIELO (S/P)
43	200D2352P001	PARRILLA CONGELADOR (S/P)
48	238C1788P001	REMATE PARRILLA REFRIG. (S/P)
88	200D2377G001	PARRILLA DE CRISTAL REF. ENS. (S/P)
105	200D3319P001	CAJON LEGUMBRES (S/P)
106	200D2428G001	TAPA CAJON LEGUMBRES ENS. (S/P)
108	200D2796P001	INSERTO TAPA CAJON LEG. <b>DESCONTINUADO</b>
109	200D3473P001	DIFUSOR CONGELADOR (S/P)
112	200D3137G001	CUBIERTA EVAPORADOR ENS. (S/P)
116	238C1183P001	PERILLA REGULADOR DE AIRE (S/P)
119	200D2681P001	CONTROL DE HUMEDAD <b>DESCONTINUADO</b>
120	200D3930G003	BISAGRA SUPERIOR (S/P)
121	355B1531G004	BISAGRA INTERMEDIA (S/P)
131	197D3131G002	ASPA VENTILADOR Y ANILLO ENS. (S/P)
134	355B1403G001	VENTILADOR COND. ENS. (S/P)
135	238C1189P001	SOPORTE MOTOR VENTILADOR (S/P)
136	221C5143P001	EMPAQUE MOTOR VENTILADOR (S/P)
137	200D2126P001	MOTOR VENT EVAP (110V) (S/P)
141	355B1456P001	TAPA FALDON BLANCA (S/P)

142	200D3093P001	FALDON CURVO BCO. <b>DESCONTINUADO</b>
150	238C1641P001	AISLANTE ELECTRICO (S/P)
155	200D2542G001	DUCTO ESPUMA ENSAMBLE (S/P)
161	238C1208P001	RUEDA REFRIGERADOR (S/P)
165	314B8640P001	TORNILLO NIVELADOR (BCO) (S/P)
166	200D3263G001	SOPORTE RUEDA ENSAMBLE (S/P)
167	238C1165P003	SOPORTE RUEDA C/BIS INF. (S/P)
168	200D3283G001	SOPORTE INF ENS C/BISAGRA BCO (S/P)
170	200D2305P001	TAPA COMPRESOR (S/P)
171	238C1164P003	SOPORTE RUEDA (S/P)
172	238C1826P001	EJE RUEDA DELANTERA (S/P)
173	238C1826P002	EJE RUEDA TRASERA (S/P)
176	238C1211P001	PERNO DE BISAGRA INFERIOR (S/P)
190	200D3332P001	PISO CONGELADOR (S/P)
192	200D2295G001	EVAPORADOR ESTRIADO ENS. (S/P)
193	221C8290P003	ACUMULADOR <b>DESCONTINUADO</b>
194	238C1015P001	TERMOSTATO DE DESHIELO (S/P)
197	MAR835	RESISTENCIA DE DESHIELO (127V)
198	314B8215G001	ARNES FUSIBLE ENS. (S/P)
200	200D2302P001	CHAROLA DE DESHIELO (S/P)
210	238C1192P001	PERILLA CONTROL TEMP. <b>DESCONTINUADO</b>
211	314B8274P001	INTERRUPTOR FOCO (S/P)
214	238C1799P001	DIFUSOR CAJA CONTROL (S/P)
215	314B8355P001	TORNILLO 8-19 HI/LO (S/P)
216	200D1424P003	CAJA CONTROL DE TEMPERATURA (S/P)
217	200D3568P001	CONTROL TEMPERATURA (S/P)
218	162D6022P006	CONTROL DE DESHIELO (115-127V) (S/P)
219	186D1259G001	SOCKET Y TERM ENS (S/P)
220	866354P20	FOCO (40W) (S/P)
225	200D1524G001	ARNES TOMACORRIENTE (S/P)
226	200D3126G001	ARNES CAJA CONTROL (S/P)
231	355B1407P001	PROTECTOR FUENTE DE PODER <b>DESCONTINUADO</b>
232	355B1391P001	CLIP MOTOR CONDENSADOR (S/P)
234	355B1492P002	RELEVADOR Y PROTECTOR ENS. (S/P)
235	20601114199	COMPRESOR CBZN142L7 115-127/60 (S/P)
240	221C5100P002	FILTRO DESHIDRATADOR (S/P)
242	355B1473P001	VALVULA TUBO DREN (S/P)
246	238C1628G001	TUBO AUXILIAR ENS. (S/P)

250	200D1498P001	CHAROLA EVAPORACION (S/P)
252	MAR765	FUENTE DE PODER 120V
256	203C5262P001	AMORTIGUADOR (S/P)
257	243B2396P001	BUJE COMPRESOR (S/P)
258	871516P006	SEGURO DE SUJECION COMPRESOR (S/P)
260	200D2303P001	SOPORTE COMPRESOR (S/P)
275	9001840	CONDENSADOR ENS. (S/P)
276	162D7022P001	PROTECTOR PANTALLA (S/P)