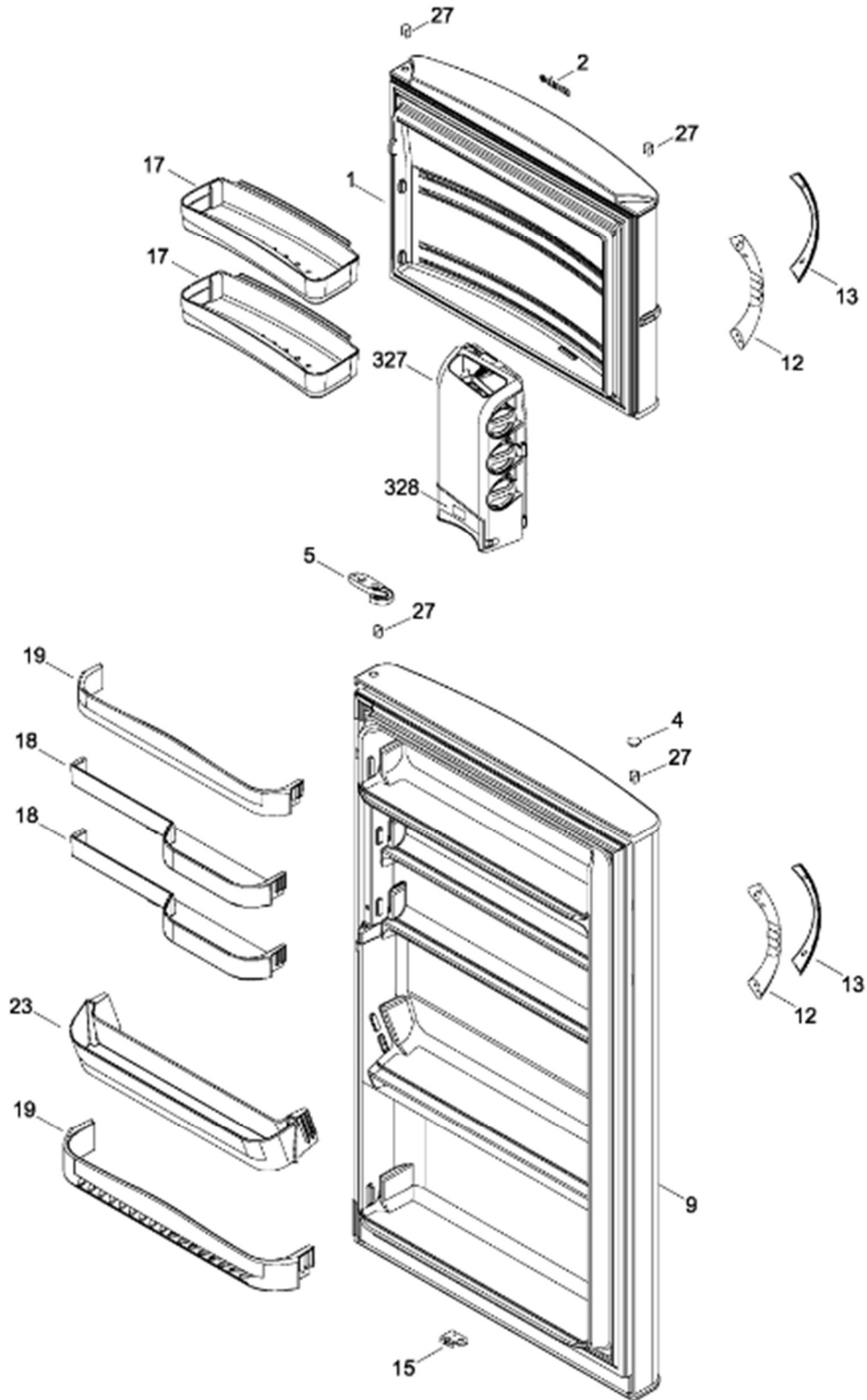




REFRIGERADOR RM88W05B0-CLASS

PARTES PARA PUERTA

RM88W05B0-CLASS
RM88W05L0-CLASS

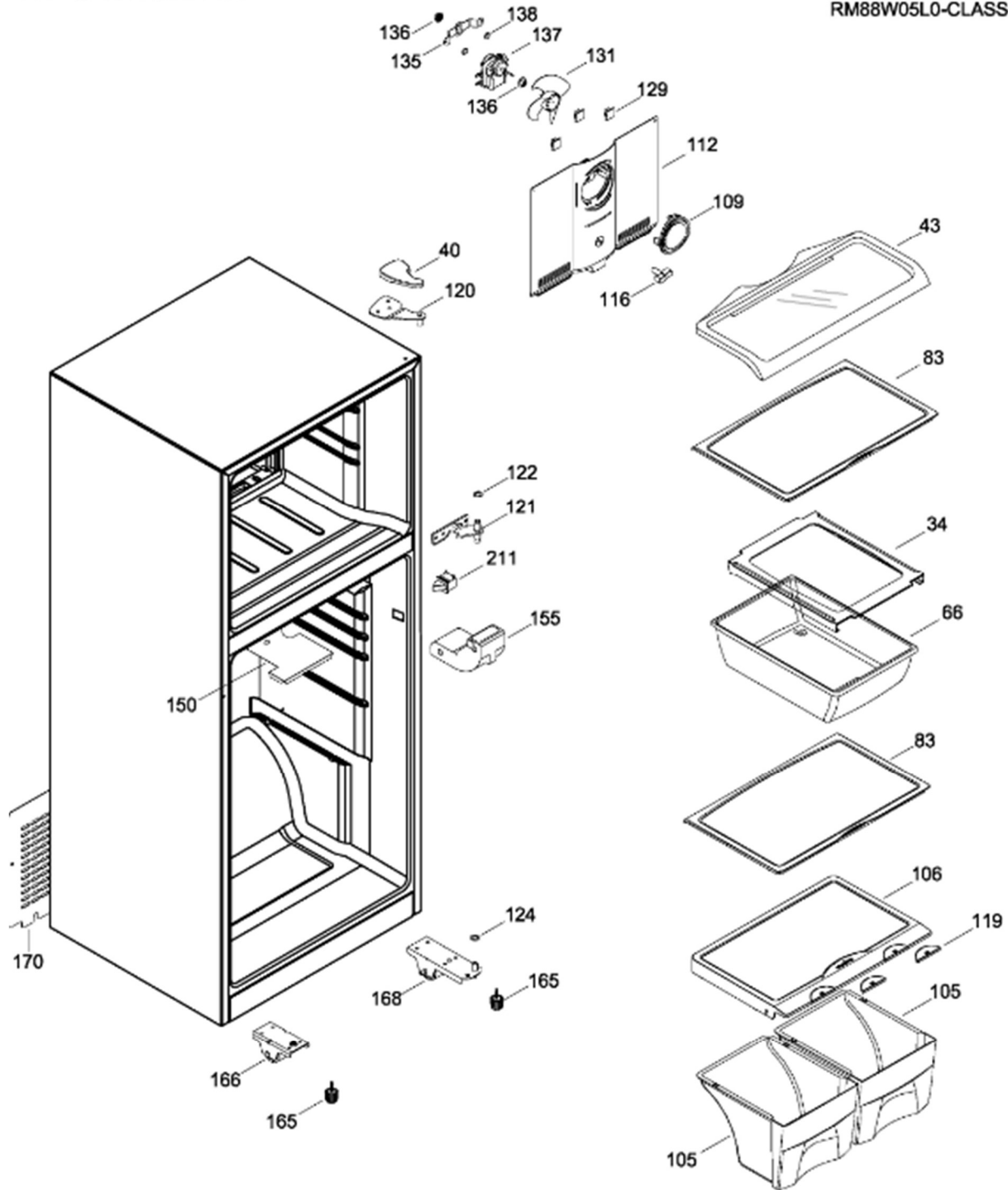




REFRIGERADOR RM88W05B0-CLASS

PARTES PARA GABINETE

RM88W05B0-CLASS
RM88W05L0-CLASS



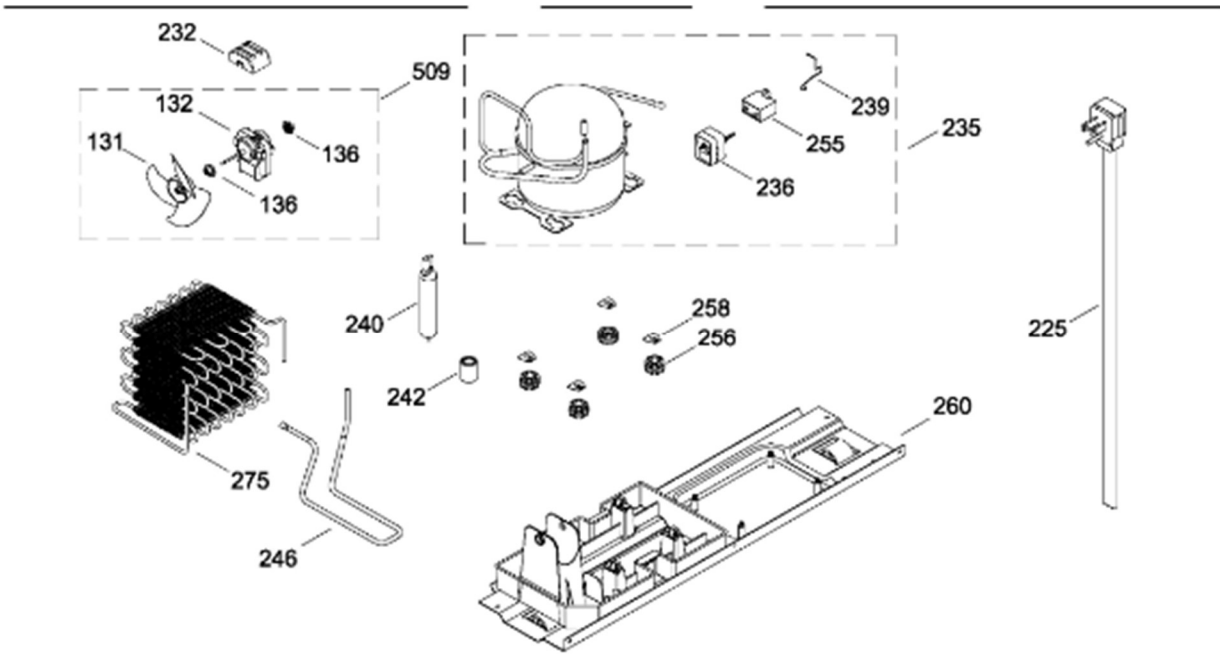
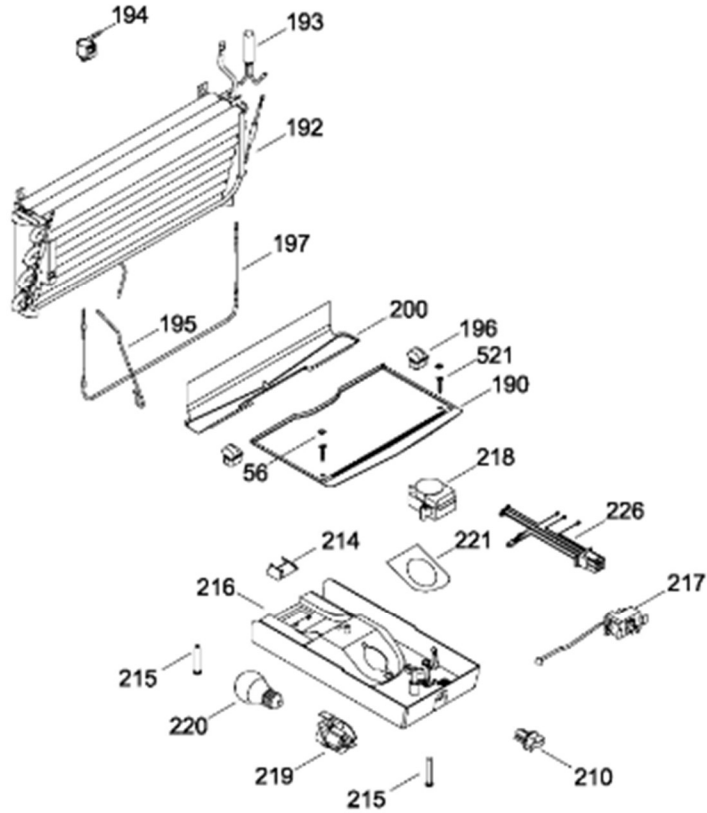
106.- TAPA CAJON LEGUMBRES ENS.



REFRIGERADOR RM88W05B0-CLASS

PISO CONGELADOR Y UNIDAD REFRIGERANTE

RM88W05B0-CLASS
RM88W05L0-CLASS





REFRIGERADOR RM88W05B0-CLASS

| Guía | Refacción | Descripción |
|------|--------------|-------------------------------|
| 1 | 200D7224G016 | PTA.FZ.ESP.16 POL.MB.B |
| 2 | WR01A00401 | PLACA EMBLEMA MABE SED |
| 2 | WR01A01249 | PLACA EMBLEMA MABE SED |
| 2 | WR01A02267 | PLACA EMBLEMA SIRIUS 360 |
| 4 | WR01A01193 | TAPON BUJE |
| 5 | WR01A01217 | TOPE PUERTA INTERMEDIO |
| 9 | 200D3509G014 | PTA.FF.ESP.16 POL.BC.C |
| 12 | WR01L04738 | BASE JALADERA |
| 13 | WR01L05075 | INSERTO JALADERA |
| 15 | WR01A01273 | TOPE PUERTA REFRIGERADOR |
| 17 | WR01L06026 | ANAQUEL DESLIZABLE |
| 18 | WR01L04691 | ANAQUEL |
| 19 | WR01L04681 | ANAQUEL |
| 23 | WR01L04700 | ANAQUEL |
| 34 | WR01A01170 | SOPORTE CAJON CARNES |
| 40 | WR01L05962 | TAPA BISAGRA |
| 43 | WR01L04999 | ENS.PARRILL.FZ CRISTAL 1518"0 |
| 52 | WR01L02462 | BUJE BISAGRA |
| 56 | WR01A01200 | TAPON TORNILLO BISAGRA |
| 66 | WR01L04772 | CAJON CARNES |
| 83 | WR01L05001 | ENS. PARRILLA FF CRISTAL |
| 105 | WR01L04926 | ENS. CAJON |
| 106 | WR01L04945 | TAPA CAJON LEG ENS. |
| 109 | WR01F02953 | DIFUSOR DE AIRE CONGELADOR |
| 112 | WR01L06042 | CUBIERTA EVAPORADOR |
| 116 | WR01L05158 | PERILLA REG. AIRE |
| 119 | WR01F02111 | CONTROL HUMEDAD |
| 121 | WR01L06031 | BISAGRA INTERMEDIA ENS. |
| 121 | WR01L09400 | BISAGRA INTERMEDIA ENS. |
| 122 | WR01A01112 | ESPACIADOR BISAGRA |
| 122 | WR01A01110 | ESPACIADOR BISAGRA |
| 129 | WR01A01099 | CLIP ADHESIVO EVAP |
| 132 | WR01F02266 | MOTOR VENTILADOR |
| 132 | WR01F01638 | MOTOR VENTILADOR |
| 135 | WR01A00876 | SOPORTE MOTOR EVAPORADOR |



REFRIGERADOR RM88W05B0-CLASS

| Guía | Refacción | Descripción |
|------|--------------|---------------------------------|
| 137 | WR01F02447 | MOTOR VENTILADOR |
| 137 | WR01F02268 | MOTOR VENTILADOR |
| 138 | WR01L05033 | FOAM WASHER |
| 150 | WR01F01958 | AISLAMIENTO ELECT.P/ELECTROMECA |
| 155 | WR01F02130 | DUCTO ESPUMA ENS. |
| 166 | WR01A01186 | SOPORTE RUEDA ENS. |
| 167 | WR01A01225 | TORNILLO NIVELADOR |
| 167 | WR01A02469 | TORNILLO NIVELADOR |
| 168 | WR01A01662 | SOP. RUEDA LARGO POLAR |
| 170 | WR01L06003 | TAPA COMPRESOR |
| 190 | WR01L05171 | PISO CONGELADOR |
| 192 | WR01F02153 | ENS. COMPRESOR EVAPORADOR |
| 193 | WR01F01955 | ACUMULADOR ENS.POLAR12-18 DOE |
| 194 | WR01L01193 | DEFROST THERMOSTAT |
| 194 | WR01F02355 | DEFROST THERMOSTAT |
| 195 | WR01F00990 | CONDUCTOR DE CALOR P/ DESHIELO |
| 196 | WR01F02127 | DUCTO RETORNO |
| 197 | WR01F02282 | ENS. RESISTENCIA |
| 200 | WR01L04803 | CHAROLA DESHIELO 15"16"18" |
| 210 | WR01L05154 | PERILLA CONTROL |
| 211 | WR01L05089 | INTERRUPTOR (6.67.6YL3CER)RV0 |
| 214 | WR01F02119 | DIFUSOR CAJA ESTÁNDAR |
| 216 | WR01F02025 | CAJA CONTROL STD.15"U SILVER |
| 217 | WR01F02107 | CONTROL TEMPERATURA |
| 218 | WR01F02403 | CONTROL DESHIELO |
| 219 | WR01F02288 | SOCKET ENS. |
| 220 | WR01F02439 | LAMPARA |
| 221 | WR01F01962 | FOIL DE ALUMINIO |
| 225 | WR01F02000 | ARNES TOMACORRIENTE |
| 226 | 200D3126G003 | ARNES CAJA CONTROL |
| 232 | WR01A01105 | CLIP MOTOR COND. |
| 232 | WR01A01451 | CLIP MOTOR COND. |
| 235 | WR01F02054 | COMPRESOR |
| 235 | WR01F02160 | COMPRESOR |
| 235 | WR03F04830 | ENS. COMPRESOR ACEITE |



REFRIGERADOR RM88W05B0-CLASS

| Guía | Refacción | Descripción |
|------|--------------|---------------------------------|
| 137 | WR01F02447 | MOTOR VENTILADOR |
| 137 | WR01F02268 | MOTOR VENTILADOR |
| 138 | WR01L05033 | FOAM WASHER |
| 150 | WR01F01958 | AISLAMIENTO ELECT.P/ELECTROMECA |
| 155 | WR01F02130 | DUCTO ESPUMA ENS. |
| 166 | WR01A01186 | SOPORTE RUEDA ENS. |
| 167 | WR01A01225 | TORNILLO NIVELADOR |
| 167 | WR01A02469 | TORNILLO NIVELADOR |
| 168 | WR01A01662 | SOP. RUEDA LARGO POLAR |
| 170 | WR01L06003 | TAPA COMPRESOR |
| 190 | WR01L05171 | PISO CONGELADOR |
| 192 | WR01F02153 | ENS. COMPRESOR EVAPORADOR |
| 193 | WR01F01955 | ACUMULADOR ENS.POLAR12-18 DOE |
| 194 | WR01L01193 | DEFROST THERMOSTAT |
| 194 | WR01F02355 | DEFROST THERMOSTAT |
| 195 | WR01F00990 | CONDUCTOR DE CALOR P/ DESHIELO |
| 196 | WR01F02127 | DUCTO RETORNO |
| 197 | WR01F02282 | ENS. RESISTENCIA |
| 200 | WR01L04803 | CHAROLA DESHIELO 15"16"18" |
| 210 | WR01L05154 | PERILLA CONTROL |
| 211 | WR01L05089 | INTERRUPTOR (6.67.6YL3CER)RV0 |
| 214 | WR01F02119 | DIFUSOR CAJA ESTÁNDAR |
| 216 | WR01F02025 | CAJA CONTROL STD.15"U SILVER |
| 217 | WR01F02107 | CONTROL TEMPERATURA |
| 218 | WR01F02403 | CONTROL DESHIELO |
| 219 | WR01F02288 | SOCKET ENS. |
| 220 | WR01F02439 | LAMPARA |
| 221 | WR01F01962 | FOIL DE ALUMINIO |
| 225 | WR01F02000 | ARNES TOMACORRIENTE |
| 226 | 200D3126G003 | ARNES CAJA CONTROL |
| 232 | WR01A01105 | CLIP MOTOR COND. |
| 232 | WR01A01451 | CLIP MOTOR COND. |
| 235 | WR01F02054 | COMPRESOR |
| 235 | WR01F02160 | COMPRESOR |
| 235 | WR03F04830 | ENS. COMPRESOR ACEITE |