

Distribuidor Autorizado

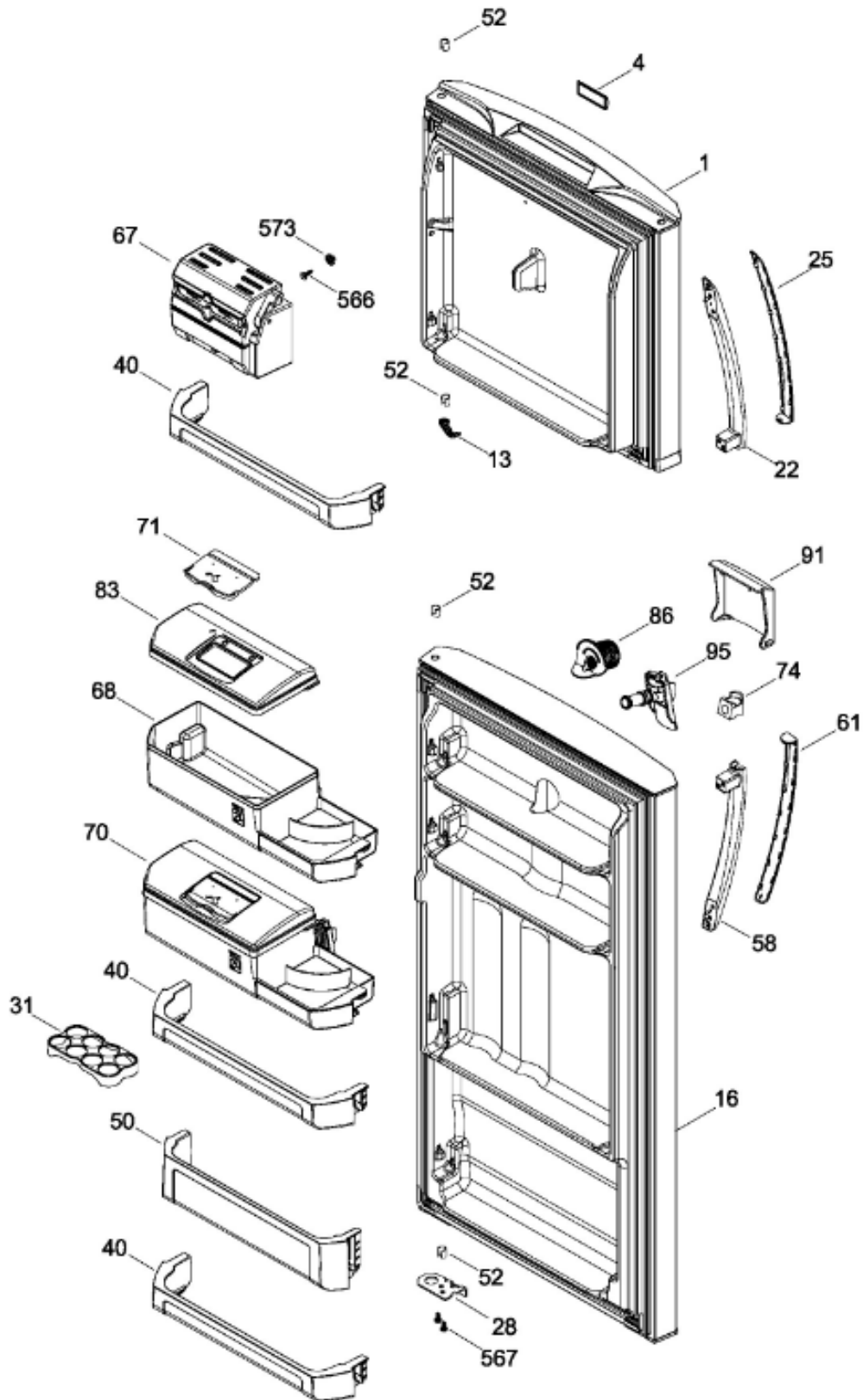
SurteRápido.com

Venta de Refacciones  
Electrodomesticas

# REFRIGERADOR RMA1025ZMXX0

## PARTES PARA PUERTA

RMA1025ZMXX0



Distribuidor Autorizado

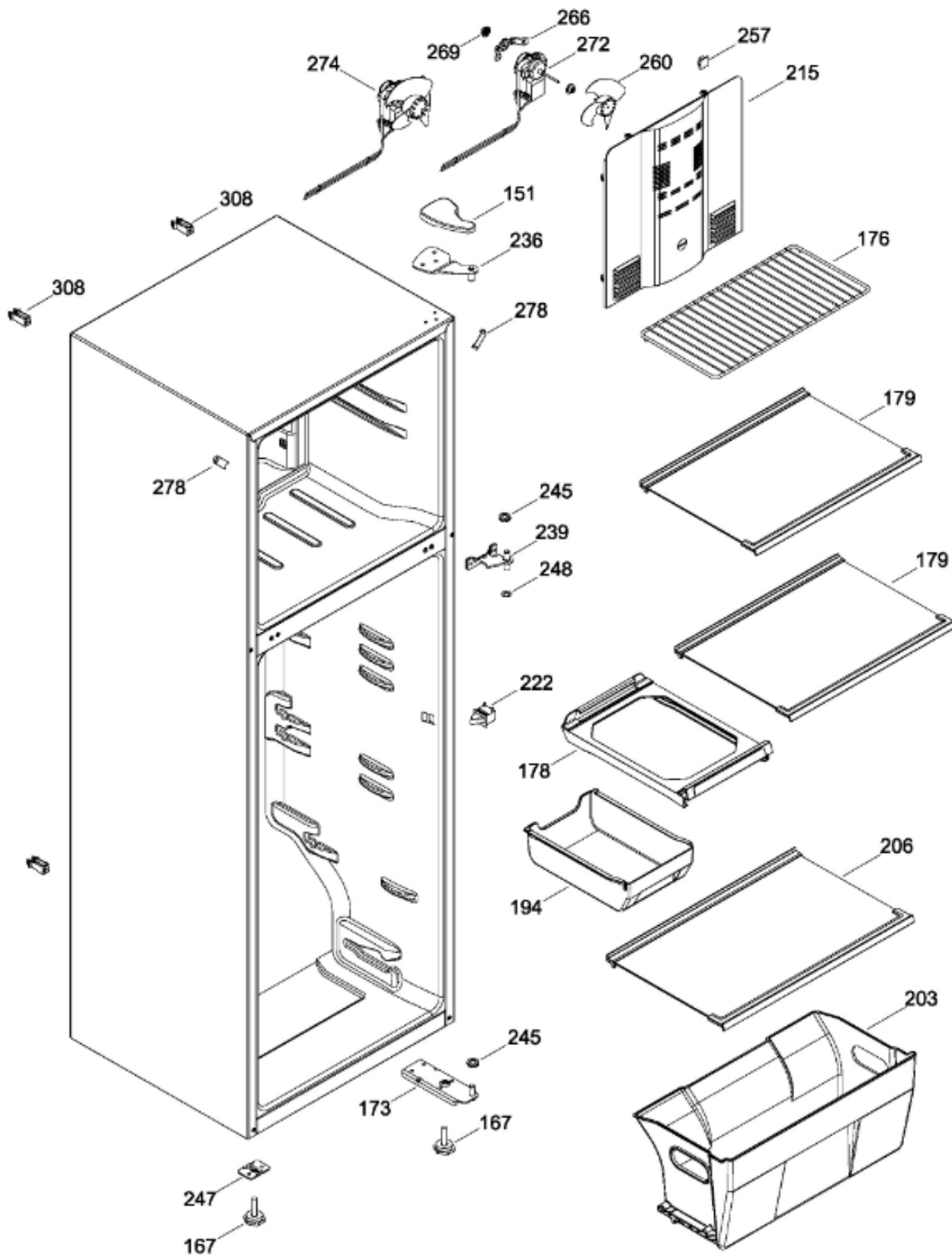
SurteRápido.com

Venta de Refacciones  
Electrodomesticas

# REFRIGERADOR RMA1025ZMXX0

PARTES PARA GABINETE

RMA1025ZMXX0



Distribuidor Autorizado

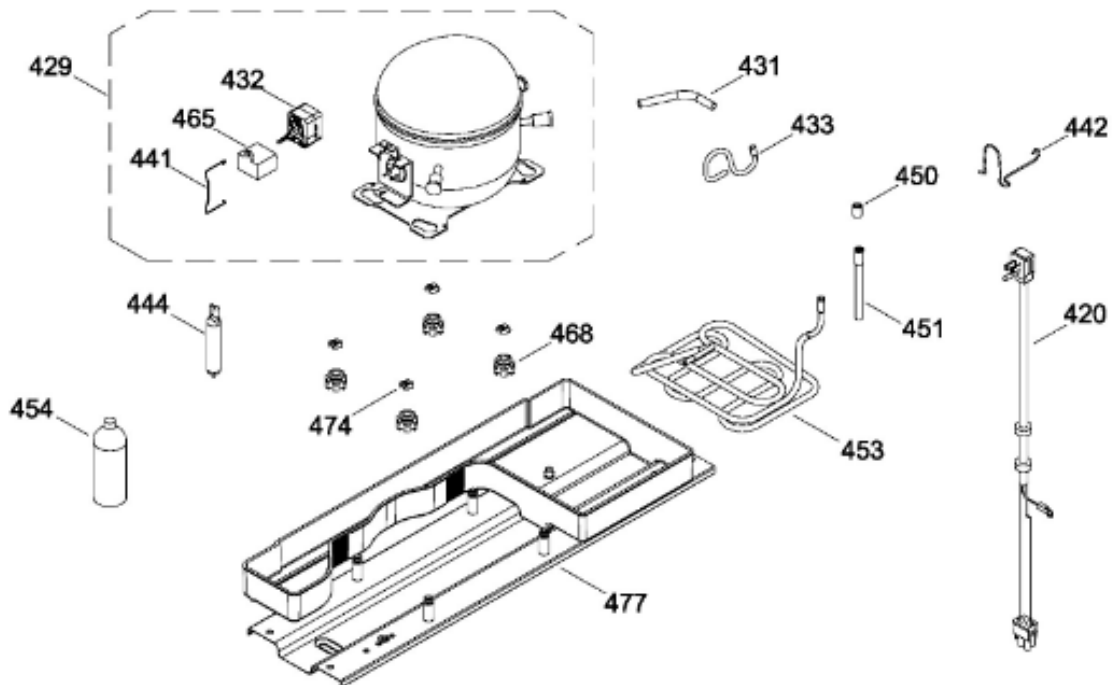
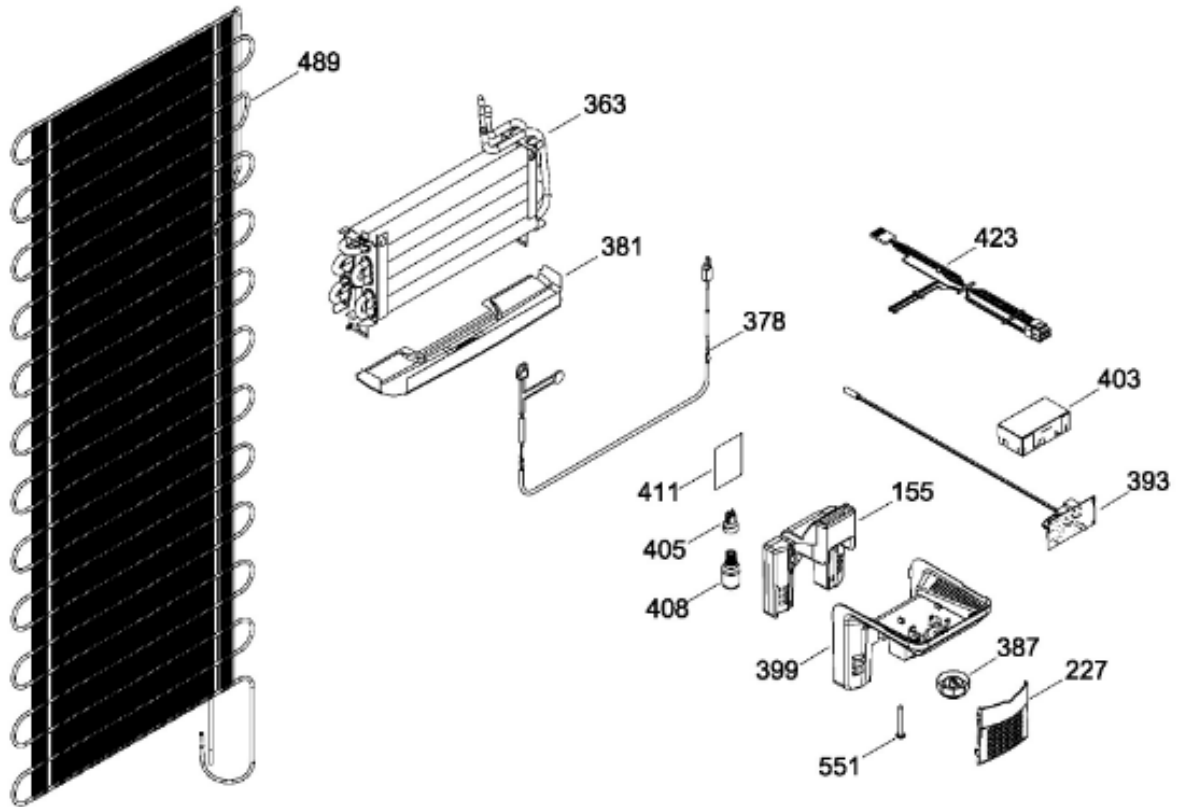
SurteRápido.com

Venta de Refacciones  
Electrodomesticas

# REFRIGERADOR RMA1025ZMXX0

PISO CONGELADOR Y UNIDAD REFRIGERANTE

RMA1025ZMXX0



Distribuidor Autorizado

**SurteRápido.com**

Venta de Refacciones  
Electrodomesticas

## REFRIGERADOR RMA1025ZMXX0

| Guía | Refacción     | Descripción                     |
|------|---------------|---------------------------------|
| 1    | WR01L10138    | PUERTA FZ.ESP.250 INOX.JA       |
| 1    | WR01L11788    | PUERTA FZ.ESP.250 INOX.JA       |
| 4    | WR01A01249    | PLACA EMBLEMA SIRIUS 360        |
| 4    | WR01A02267    | PLACA EMBLEMA SIRIUS 360        |
| 13   | WR01A01205    | TOPE PUERTA CONG.               |
| 16   | WR01L10894    | PTA.FF.ESP.250.C/D.INO          |
| 16   | WR01L11791    | PTA.FF.ESP.250.C/D.INO          |
| 22   | WR01L09704    | BASE JALADERA FZ.NEGRO          |
| 25   | WR01L09706    | INSERTO JALAD.FZ.GS.LI          |
| 28   | WR01A01612    | TOPE PUERTA FF DERECHO S.360    |
| 31   | WR01L09326    | CHAROLA DE HUEVOS (8)           |
| 40   | WR01L09289    | ANAQUEL 540 ANDROMEDA           |
| 50   | WR01L09291    | ANAQUEL BOTELLAS 540 A          |
| 52   | WR01L02462    | BUJE BISAGRA                    |
| 58   | WR01L09705    | BASE JALADERA FF.NEGRO          |
| 61   | WR01L09707    | INSERTO JALAD.FF.GS.LI          |
| 67   | WR01F03968    | FABRICA DE HIELO ENS            |
| 68   | WR01F03969    | TANQUE DE AGUA                  |
| 70   | WR01L10656    | ENS.TANQ.AGUA.250.INOX          |
| 71   | WR01L06021    | TAPA TANQUE AGUA                |
| 74   | WR01L09713    | CAPUCHON DE VALVULA             |
| 83   | WR01L09325    | CUBIERTA TANQUE                 |
| 86   | WR01L09329    | GROMMET TANQUE AGUA             |
| 91   | WR01L09712    | CUB.RECES.DESP.AGUA.GS          |
| 95   | WR01F04167    | VALVULA/ACTUADOR ENS.G          |
| 151  | WR01L05966    | TAPA BISAGRA                    |
| 151  | WR01L13966    | TAPA BISAGRA                    |
| 155  | WR01F03959    | DUCTO AIRE ENS.CJ.CTRL          |
| 167  | WS01A01147    | TORNILLO NIVELADOR              |
| 173  | WR01A01275    | SOP.BIS.INF.ENS.PERNO REMACHADO |
| 176  | WR01L10669    | PARRILLA ALAMBRE FZ 230-250LTS  |
| 178  | WR01L09294    | MARCO CAJON CARNES              |
| 179  | WR01L09283    | PARRILLA DE CRISTAL CONSER.ENS  |
| 194  | WR01L09293    | CAJON CARNES                    |
| 203  | 225D7334P003F | CAJON LEG. FRUTAS-VERDURAS      |

Distribuidor Autorizado

**SurteRápido.com**

Venta de Refacciones  
Electrodomesticas

## REFRIGERADOR RMA1025ZMXX0

| Guía | Refacción  | Descripción                    |
|------|------------|--------------------------------|
| 206  | WR01L09281 | PARRILLA CAJ.LEG.ENS.          |
| 215  | WR01L09278 | CUBIERTA EVAPORADOR ENS        |
| 222  | WR01F03855 | INTERRUPTOR DE LUZ             |
| 227  | WR01L09327 | CUBIERTA LAMPARA ANDROMEDA     |
| 236  | WR01L04925 | BIS.SUP.ENS.DERECHA            |
| 239  | WR01L09328 | BISAGRA INTERMEDIA ENS         |
| 245  | WR01A01613 | ESPACIADOR PUERTA SIRIUS 360   |
| 247  | WR01A01179 | SOPORTE NIVELADOR              |
| 248  | WR01A01150 | RONDANA BISAGRA                |
| 257  | WR01A01099 | CLIP ADHESIVO EVAP             |
| 260  | WR01F00099 | ASPA DE VENTILADOR ENS         |
| 266  | WR01A01091 | BRAKET VENTILADOR CONG.        |
| 269  | WR01A00239 | EMPAQUE VENTILADOR             |
| 272  | WR01F03787 | MOTOR VENTILADOR FZ.127V.S.360 |
| 274  | WR01F03845 | MOTOR EVAPORADOR ENS           |
| 278  | WR01A01121 | ESQUINERO POLAR FASE 1 P       |
| 308  | WR01A01104 | CLIP CONDENS.ADOR              |
| 363  | WR01F03961 | EVAPORADOR ENSAMBLE            |
| 378  | WR01F03963 | ARNES RESISTENCIA 127V         |
| 381  | WR01L09321 | CHAROLA DESHIELO ANDROMEDA     |
| 387  | WR01L05143 | PERILLA CONTROL                |
| 393  | WR01F03955 | TARJETA CONTROL ANDROMEDA 127V |
| 399  | WR01F03960 | CAJA CONTROL ANDROMEDA         |
| 403  | WR01L09322 | CAJA PROTEC.TARJ.(FORM         |
| 405  | WR01F04078 | SOCKET ENS.(UL)                |
| 405  | WR01F02289 | SOCKET ENS.(UL)                |
| 408  | WR01F03693 | FOCO LED 130V (1.5W)           |
| 408  | WR03F04631 | FOCO LED 130V (1.5W)           |
| 408  | WR01F03875 | FOCO LED 130V (1.5W)           |
| 411  | WR01F03982 | FOIL ALUMINIO CAJA CTR         |
| 420  | WR01F04114 | ARNES TOMACORRIENTE            |
| 423  | WR01F03965 | ARNES CTRL.DE LUZ 127V         |
| 429  | WR01F02073 | COMPRESOR                      |
| 429  | WR01F04294 | COMPRESOR                      |
| 431  | WR01F03977 | APENDICE DE CARGA DOBLE        |

Distribuidor Autorizado

**SurteRápido.com**

Venta de Refacciones  
Electrodomesticas



## REFRIGERADOR RMA1025ZMXX0

| Guía | Refacción     | Descripción                    |
|------|---------------|--------------------------------|
| 431  | WR01F04677    | APENDICE DE CARGA DOBLE        |
| 432  | WR01F02274    | PROTECTOR RELEVADOR            |
| 433  | WR01F04113    | APENDICE SUCC.COMP.CQE         |
| 441  | WR01A01106    | SUJETADOR CLIP 5SP             |
| 442  | WR01A01926    | CLIP 5S-CAP 15 COMPRESOR CQE94 |
| 444  | WR03F04411    | FILTRO DESHIDATRADOR DE 1 VIA  |
| 450  | WR01F02375    | VALVULA DREN                   |
| 451  | WR01F04166    | EXTENSION TUBO DREN ANDROMEDA  |
| 453  | WR01F04112    | SERPENTIN PARA CQE94L2CW       |
| 453  | WR01F03974    | SERPENTIN PARA CQE94L2CW       |
| 454  | WW01A00356    | GAS 134 LATA 340 GRS           |
| 454  | WG03F07229    | GAS 134 LATA 340 GRS           |
| 465  | WR01F04110    | CAPACITOR 15%u039CF/180 V      |
| 468  | WR01F01965    | AMORTIGUADOR                   |
| 474  | WR01A01754    | CLIP NEGRO SOPORTE COMPRESOR   |
| 474  | WR01A00191    | CLIP NEGRO SOPORTE COMPRESOR   |
| 477  | 225D7357G003E | SOPORTE COMP.230LT-250         |
| 489  | WR01F03962    | CONDENSADOR PLANO CHIC         |
| 551  | WR01A01224    | TORNILLO 8-19                  |
| 566  | WR01A01135    | PI6JA 8-18X3/4                 |
| 567  | WR01A01231    | TORNILLO TIPO AB(8-18*5/8)     |
| 573  | WR01L06256    | BOTON FABRICA DE HIELOS        |