

Distribuidor Autorizado

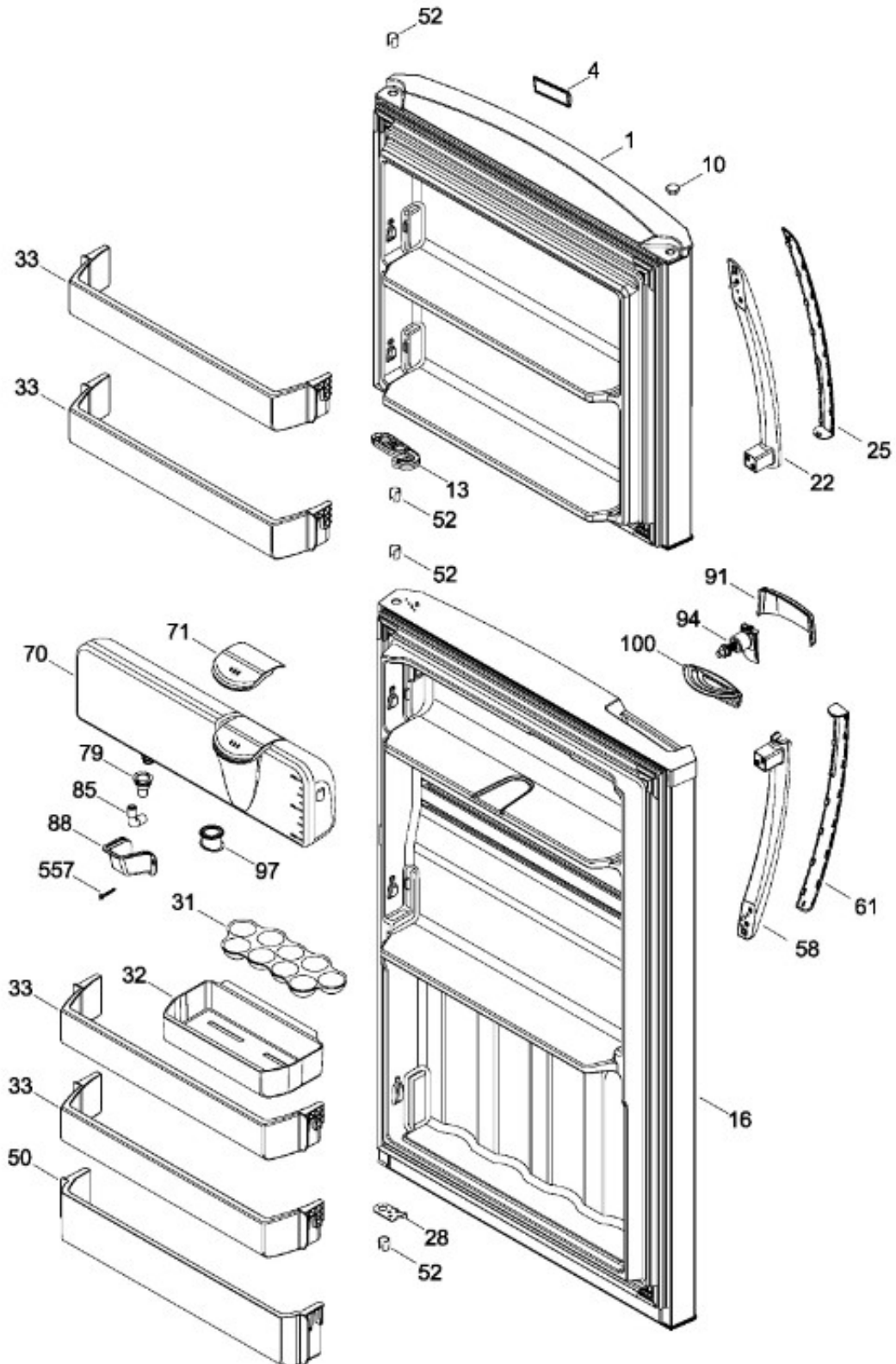
SurteRápido.com

Venta de Refacciones
Electrodomesticas

REFRIGERADOR RME1436YMXB0

PARTES PARA PUERTA

RME1436YMXB0



Distribuidor Autorizado

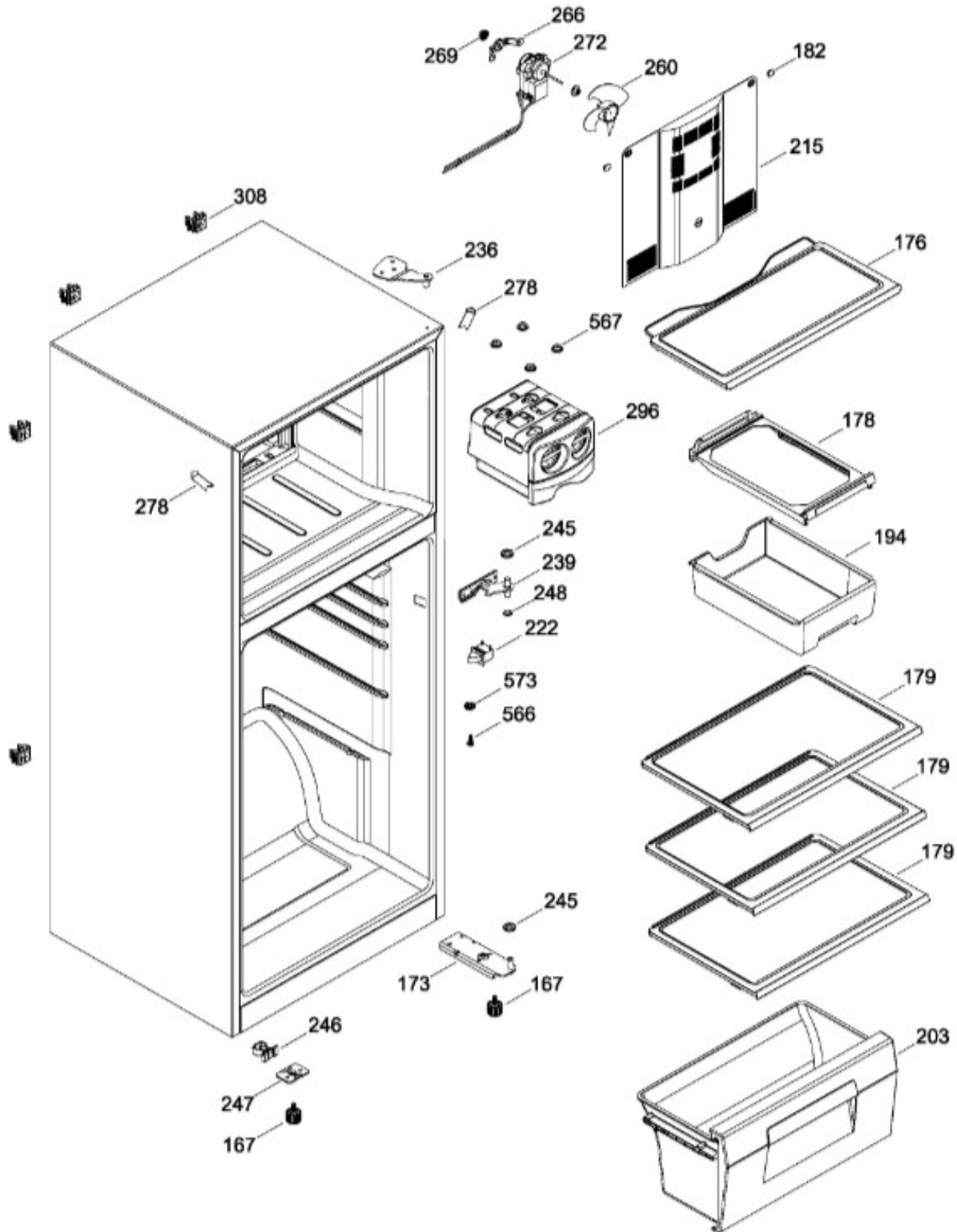
SurteRápido.com

Venta de Refacciones
Electrodomesticas

REFRIGERADOR RME1436YMXB0

PARTES PARA GABINETE

RME1436YMXB0



Distribuidor Autorizado

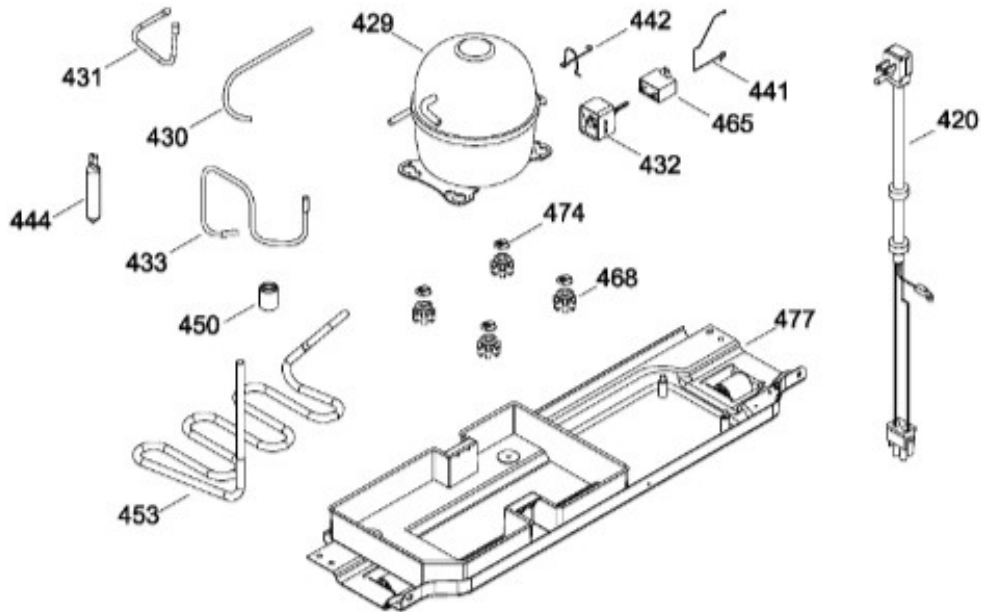
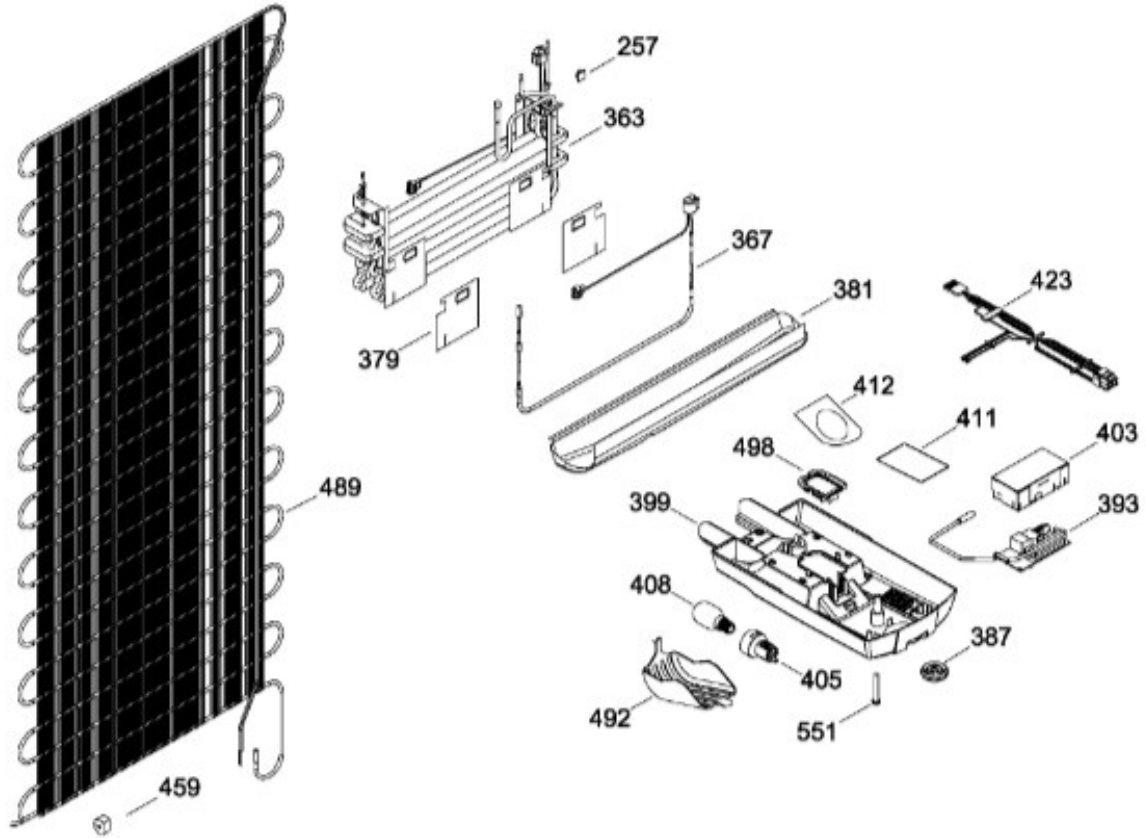
SurteRápido.com

Venta de Refacciones
Electrodomesticas

REFRIGERADOR RME1436YMXB0

PISO CONGELADOR Y UNIDAD REFRIGERANTE

RME1436YMXB0



Distribuidor Autorizado

SurteRápido.com

Venta de Refacciones
Electrodomesticas

REFRIGERADOR RME1436YMXB0

| Guía | Refacción | Descripción |
|------|------------|--|
| 1 | WR01L08051 | PUERTA FZ.ESP.BC.X.FULL GRIP.360 |
| 4 | WR01A01249 | PLACA EMBLEMA SIRIUS 360 |
| 10 | WR01A01193 | TAPON BUJE |
| 13 | WR01A01611 | TOPE PUERTA FZ DERECHO S 360 |
| 16 | WR01L08052 | PTA.FF.ESP.BCO.Y.FULL.D/AGUA |
| 22 | WR01L08053 | BASE JALADERA PUERTA CONGELADOR |
| 25 | WR01L08054 | INSERTO JALADERA PUERTA CONGELADOR |
| 28 | WR01A01612 | TOPE PUERTA FF DERECHO S.360 |
| 31 | WR01L04801 | CHAROLA DE HUEVOS TRANSP MABE |
| 31 | WR01L09326 | CHAROLA DE HUEVOS TRANSP MABE |
| 32 | WR01L08045 | ANAQUEL1/2.C/SERIG.SIRIUS 360 |
| 32 | WR01L09703 | ANAQUEL1/2.C/SERIG.SIRIUS 360 |
| 33 | WR01L06176 | ANAQUEL COMPLETO SERIGRAFIA SIRIUS 360 |
| 33 | WR01L09702 | ANAQUEL COMPLETO SERIGRAFIA SIRIUS 360 |
| 50 | WR01L08046 | ANAQUEL BOTELLAS(66) C/SERIG. |
| 50 | WR01L09702 | ANAQUEL BOTELLAS(66) C/SERIG. |
| 52 | WR01L02462 | BUJE BISAGRA |
| 58 | WR01L08055 | BASE JALADERA FF.BC.SIRIUS 360 |
| 61 | WR01L08056 | INSERTO JALAD.FF.BC.S360 HS |
| 70 | WR01F03369 | ENS.TANQ.AGUA.S.360.SERIG.GOTA |
| 71 | WR01L04892 | ENS. TAPA TANQUE |
| 79 | WR01A01086 | CONECTOR DEL TANQUE |
| 85 | WR01F02049 | CODO CONECTOR |
| 88 | WR01L04823 | CUB CONEXIONES DISPENSADOR |
| 91 | WR01L04824 | CUB RECESO DIPENSADOR BCO |
| 94 | WR01F02368 | ENS. VALVULA Y ACTUADOR |
| 97 | WR01L04862 | CUBIERTA ESPUMA DESPACHADOR |
| 100 | WR01L04717 | BANDEJA DE ESCURRIMIENTO |
| 167 | WR01A01225 | TORNILLO NIVELADOR |
| 167 | WR01A02469 | TORNILLO NIVELADOR |
| 173 | WR01A01275 | SOP.BIS.INF.ENS.PERNO REMACHADO |
| 176 | WR01L05129 | PARRILLA CRISTA LCONGELADOR |
| 178 | WR01F02252 | MARCO SOPORTE CAJON CARNES |
| 179 | WR01L05127 | PARRILLA CRISTAL ENFRIADOR |
| 182 | WR01A01201 | BOTON |

Distribuidor Autorizado

SurteRápido.com

Venta de Refacciones
Electrodomesticas

REFRIGERADOR RME1436YMXB0

| Guía | Refacción | Descripción |
|------|------------|--|
| 194 | WR01L04771 | CAJON CARNES |
| 203 | WR01L06182 | CAJON LEG.GDE.C/SERIG. |
| 203 | WR01L13595 | CAJON LEG.GDE.C/SERIG. |
| 215 | WR01L08047 | CUBIERTA EVAPORADOR SIRIUS 360 |
| 215 | WR01L08631 | CUBIERTA EVAPORADOR SIRIUS 360 |
| 215 | WR01F05179 | CUBIERTA ENS.EVAP.SIRIUS 360 |
| 222 | WR01L05089 | INTERRUPTOR (6.67.6YL3CER)RVO |
| 236 | WR01L04925 | ENS. BISAGRA |
| 239 | WR01L04755 | BISAGRA INTERMEDIA ENS. |
| 239 | WR01L09400 | BISAGRA INTERMEDIA ENS. |
| 245 | WR01A01613 | ESPACIADOR PUERTA SIRIUS 360 |
| 246 | WR01A01113 | ESPACIADOR PLASTICO |
| 247 | WR01A01179 | SOPORTE NIVELADOR |
| 248 | WR01A01150 | RONDANA BISAGRA |
| 257 | WR01A01099 | CLIP ADHESIVO EVAP |
| 260 | WR01F00099 | ASPA DE VENTILADOR ENS |
| 266 | WR01A01091 | BRACKET VENTILADOR CONG. |
| 269 | WR01A00239 | EMPAQUE VENTILADOR |
| 272 | WR01F02267 | MOTOR VENTILADOR |
| 272 | WR01F03787 | MOTOR VENTILADOR |
| 278 | WR01A01120 | ESQUINERO POLAR FASE 1 P |
| 296 | WR01L04903 | DESM.HIELO"PRACTIHIELO |
| 308 | WR01A01277 | CLIP CONDENSADOR PLANO CH |
| 308 | WR03F04711 | CLIP CONDENSADOR PLANO CH |
| 363 | WR01F02500 | EVAPORADOR ENSAMBLE SIRIUS 360 |
| 367 | WR01F02493 | RESISTENCIA DESHIELO ENS 115V SIRIUS 360 |
| 379 | WR01L06142 | DEFLECTOR ALUMINIO P EVAP 36 |
| 379 | WR01L06142 | DEFLECTOR ALUMINIO P EVAP 36 |
| 381 | WR01L08048 | CHAROLA DESHIELO SIRIUS 360 |
| 387 | WR01L05144 | PERILLA CONTROL TEMP. |
| 393 | WR01F02501 | TARJETA CONTROL 127V SIR 360 |
| 393 | WR03F04504 | TARJETA CONTROL 127V SIR 360 |
| 399 | WR01F03364 | CAJA CONTROL S.360 SERIG. |
| 403 | WR01L06258 | CAJA PROTEC.TARJETA(X/Y)S/DISP |
| 405 | WR01F02289 | SOCKET ENS. |

Distribuidor Autorizado

SurteRápido.com

Venta de Refacciones
Electrodomesticas

REFRIGERADOR RME1436YMXB0

| Guía | Refacción | Descripción |
|------|------------|--------------------------------|
| 408 | WR01F02226 | FOCO FF |
| 408 | WR01F03693 | FOCO FF |
| 408 | WR03F04631 | FOCO LED 130V (1.5W) |
| 408 | WR01F03875 | FOCO LED 130V (1.5W) |
| 411 | WR01F03365 | AISLANTE ELECT.CAJA CTRL.S.360 |
| 412 | WR01F01962 | FOIL DE ALUMINIO |
| 420 | WR01F03366 | ARNES TOMACORR.127V SIR.360 |
| 420 | WR01F04341 | ARNES TOMACORR.127V SIR.360 |
| 423 | WR01F02565 | ARNES CAJA CONTROL SIRIUS 360 |
| 429 | WR01F02073 | COMPRESOR |
| 429 | WR01F04294 | COMPRESOR |
| 430 | WR01F02546 | APEND.TUBO CARGA 400-510.115V |
| 431 | WR01A01276 | APENDICE DE SERVICIO 85MM |
| 431 | WR01F03641 | APENDICE DE SERVICIO 85MM |
| 432 | WR01F01943 | PROTECTOR RELEVADOR |
| 433 | WR01F02547 | TUBO APENDICE SUCCION 15'16'18 |
| 441 | WR01A01614 | CLIP 5SP 127V GLOBE CAPACITOR |
| 441 | WR01A02393 | CLIP 5SP 127V GLOBE CAPACITOR |
| 442 | WR01A01615 | CLIP CONECTOR |
| 444 | WR01F02221 | FILTRO DESHIDRATADOR |
| 450 | WR01F02375 | VALVULA DREN |
| 453 | WR01F02190 | ENS. TUBO AUX. |
| 453 | WR03F04240 | ENS. TUBO AUX. |
| 459 | WR01F01964 | AMORTIGUADOR PARA CONDENSADOR |
| 465 | WR01F02043 | CAPACITOR |
| 468 | WR01F01965 | AMORTIGUADOR |
| 474 | WR01A00191 | CLIP COMPRESOR |
| 477 | WR01A01616 | SOPORTE COMPRESOR ENS |
| 477 | WR01A01616 | SOPORTE COMPRESOR ENS |
| 489 | WR01F02084 | CONDENSADOR PLANO |
| 492 | WR01L03288 | PROTECTOR FOCO |
| 498 | WR01L08049 | TAPA CAJA CONTROL SIRIUS 360 |
| 551 | WR01A01224 | TORNILLO 8-19 |
| 557 | WR01A01229 | TORNILLO PARA DISPENSADOR |
| 566 | WR01A01135 | PI6JA 8-18X3/4 |
| 567 | WR01A01096 | BUJE |
| 573 | WR01L06256 | BOTON FABRICA DE HIELOS |