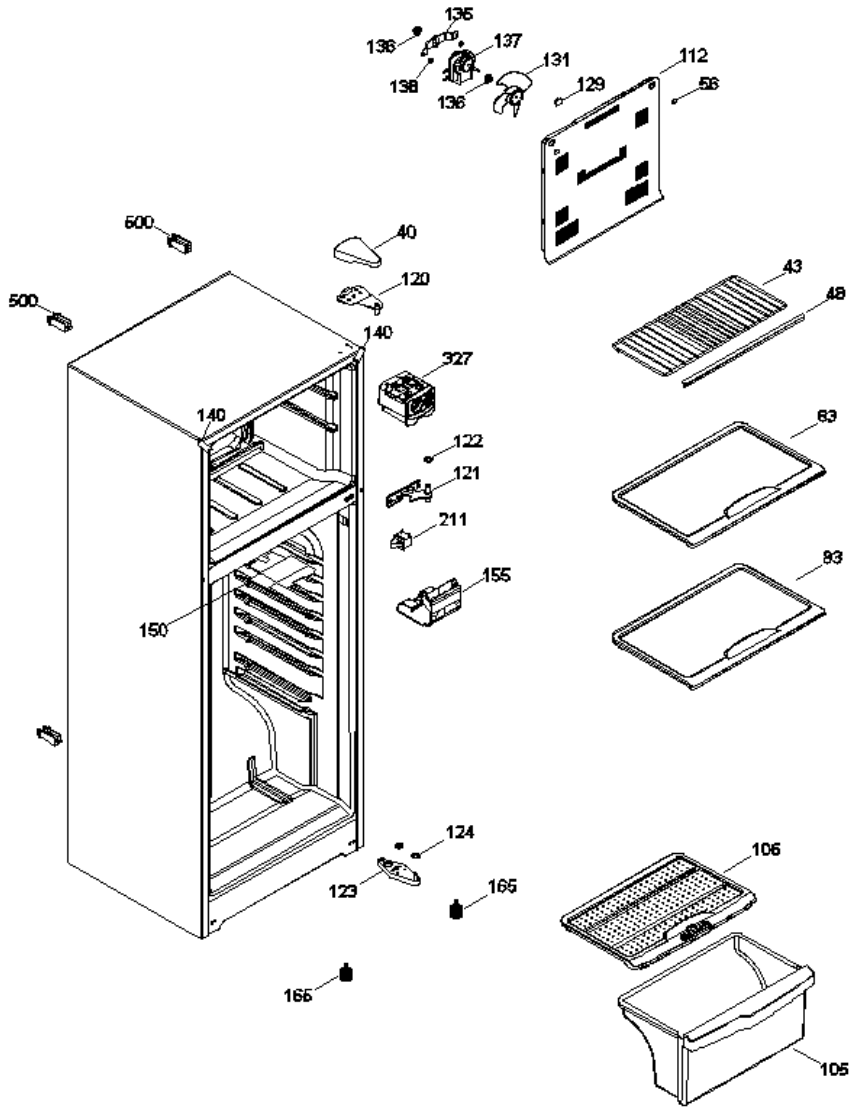
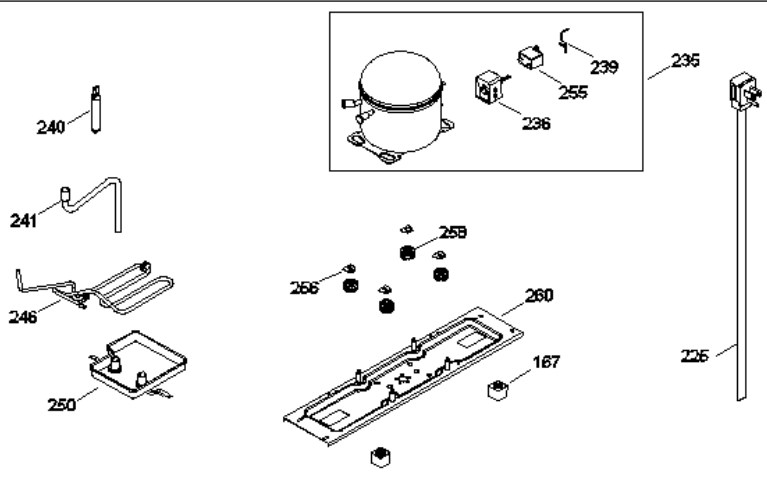
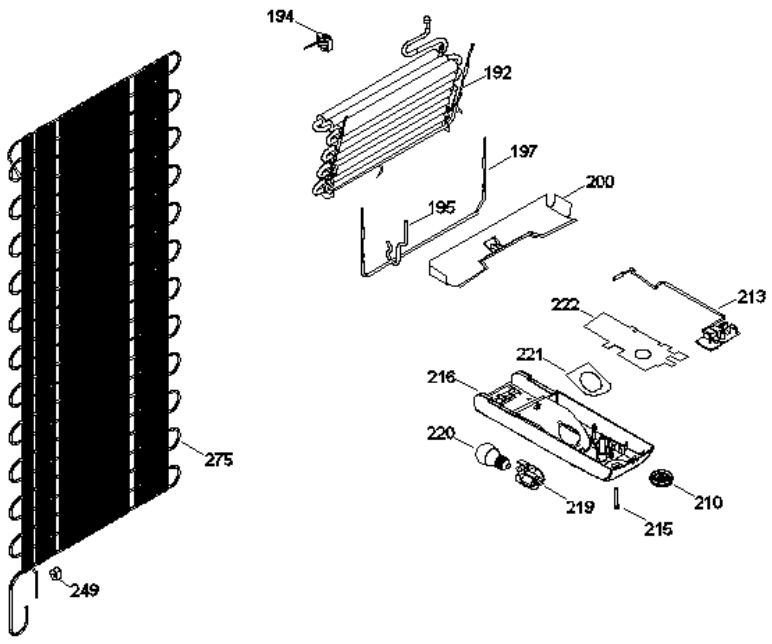


RML11XHMB0



106.- TAPA CAJON LEGUMBRES ENS.

RML11XHMB0





RML11XHMB0

1	225D1724G004	PTA.FZ.ESP.11PERS.ESC
2	238C2881P001	PLACA EMBLEMA MABE SED
9	225D1725G001E	PTA.FF.ESP.11PERS.ESC
12	225D1747P001	BASE JALADERA ESCALONA
13	225D1747P004	BASE JALADERA ESCALONA
16	238C1489P006	CHAROLA DE HUEVOS AZUL
18	200D2698P019	ANAQ.C/JOR.ANG.PIGMENT
19	200D2699P007	ANAQ.C/JOR.ANC.PIGMENT
30	225D1748P009	INS.JAL.ESCALONADO FZ
31	225D1748P012	INS.JAL.ESCALONADO FF
40	186D1080P001	TAPA BISAGRA (BCA)
43	200D4020P001	PARRILLA CONGELADOR
48	314B8141P011	REMATE PARRILLA CONG
56	355B2012P001	TAPON TORNILLO CUB.EVA
83	225D1707G004	ENS.PARR.CRISTAL.FF.C/
105	225D1712P003	CAJON LEGUMBRES PIGM.P
106	225D1975G005	TAPA CAJON PLAST.C/CTR
112	200D9300G010	CAMARA DE AIRE MB.11P
120	355B1769G002	BISAGRA SUPERIOR ENS.
121	355B1718G009	BISAGRA INTERMEDIA ENS
122	238C1981P001	RONDANA BISAGRA
123	355B1530G001	BISAGRA INFERIOR ENS.
124	203C2032P010	RONDANA BISAGRA INTERMEDIA
129	355B1485P001	CLIP ADHESIVO EVAP
131	197D3131G006	ASPA VENTILADOR Y ANILLO ENS.
135	238C1189P002	SOPORTE MOTOR VENTILADOR
136	221C5143P001	EMPAQUE MOTOR VENTILADOR
137	200D2940P002	MOTOR VETILADOR
137	200D2940P002	MOTOR VETILADOR
137	200D2940P002	MOTOR VETILADOR
137	200D2940P002	MOTOR VETILADOR
138	314B8295P002	SEPARADOR TORNILLO
140	186D5264P007	ESQUINERO PLASTICO BLA

150	238C3533P001	AISLANTE ELECTRICO PER
155	238C3694G001	DUCTO AIRE.ENS.PERS.EP
165	314B8640P010	TORNILLO NIVELADOR GRIS
167	238C2459P001	TACON POSTERIOR SOPORTE COMP
192	200D6739G005	EVAP.EC."L"C/RESISTENC
194	238C1015P005	TERMOSTATO DESHIELO PERSEUS
195	238C2646P001	ALAMBRE CALEFACTOR PERSEUS
195	238C2646P001	ALAMBRE CALEFACTOR PERSEUS
197	238C2216G013	RESISTENCIA 220WATTS P
200	186D2836P001	CHAROLA DE DRENAJE
210	238C3223P004	PERILLA CTRL.TEMP.PERS
211	314B8274P001	INTERRUPTOR FOCO
213	200D9607G001	TARJETA CTROL L.CALIEN
215	314B8355P001	TORNILLO 8-19 HI/LO
216	225D1996P002	CAJA CTRL.ELECTRONICA
219	186D1259G001	SOCKET Y TERM ENS
220	314B9124P001	FOCO (25 W)
221	238C2629P001	FOIL ALUMINIO P/CAJA CTROL STD
222	355B2802P001	FOIL P/CAJA ELECTRONIC
225	200D6711G001	ARNES TOMACORRIENTE ST
235	220C_BZN100L2G	COMPRESOR CBZN100 C/ACEITE ENS
236	200D5578P016	5SP16B276RH P/COMP CBZN100L2
239	355B2089P004	SUJETADOR CLIP 5SP
240	221C5100P006	FILTRO DESHIDRATADOR E
241	314B8606P001	CESPOL
246	221C8378G004	TUBO SERPENTIN AUXILIAR ENS.
249	314B9163P003	AMORTIGUADOR PARA CONDENSADOR
250	238C2234G001	CHAROLA EVAP ENS
255	238C2606P002	CAPACITOR DE 10MFD
256	203C5262P001	AMORTIGUADOR
258	871516P006	SEGURO DE SUJECION COMPRESOR
260	225D2798G001M	SOPORTE COMPRESOR ENSAMBLE
275	200D5028P002	CONDENSADOR PLANO
327	200D7574G007	DESM.HIELOS"PRACIHIEL
500	238C2369P002	CLIP CONDENSADOR