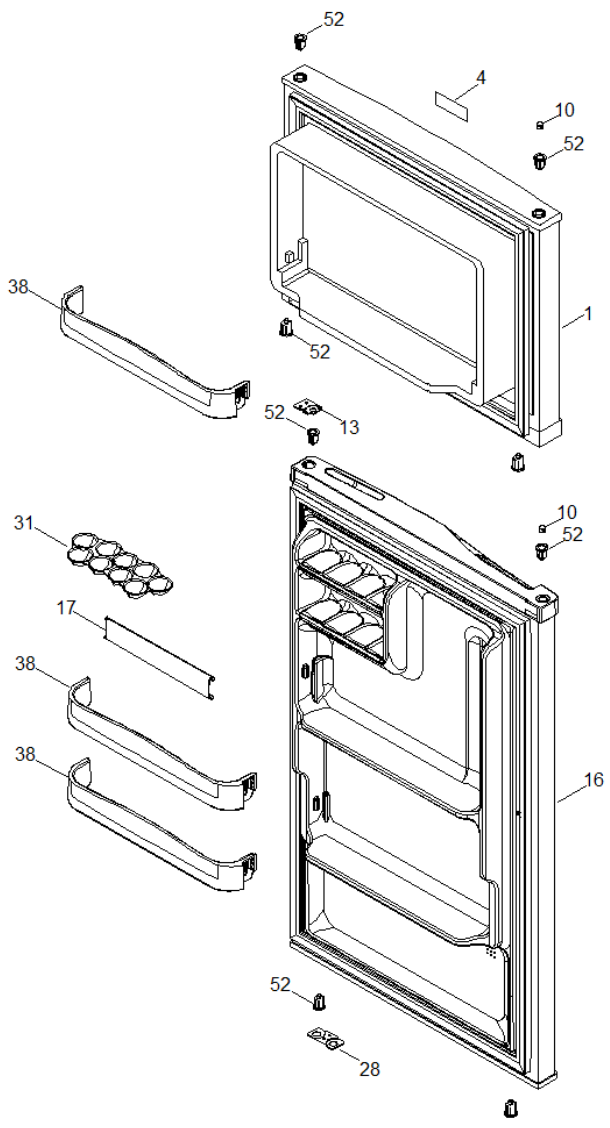
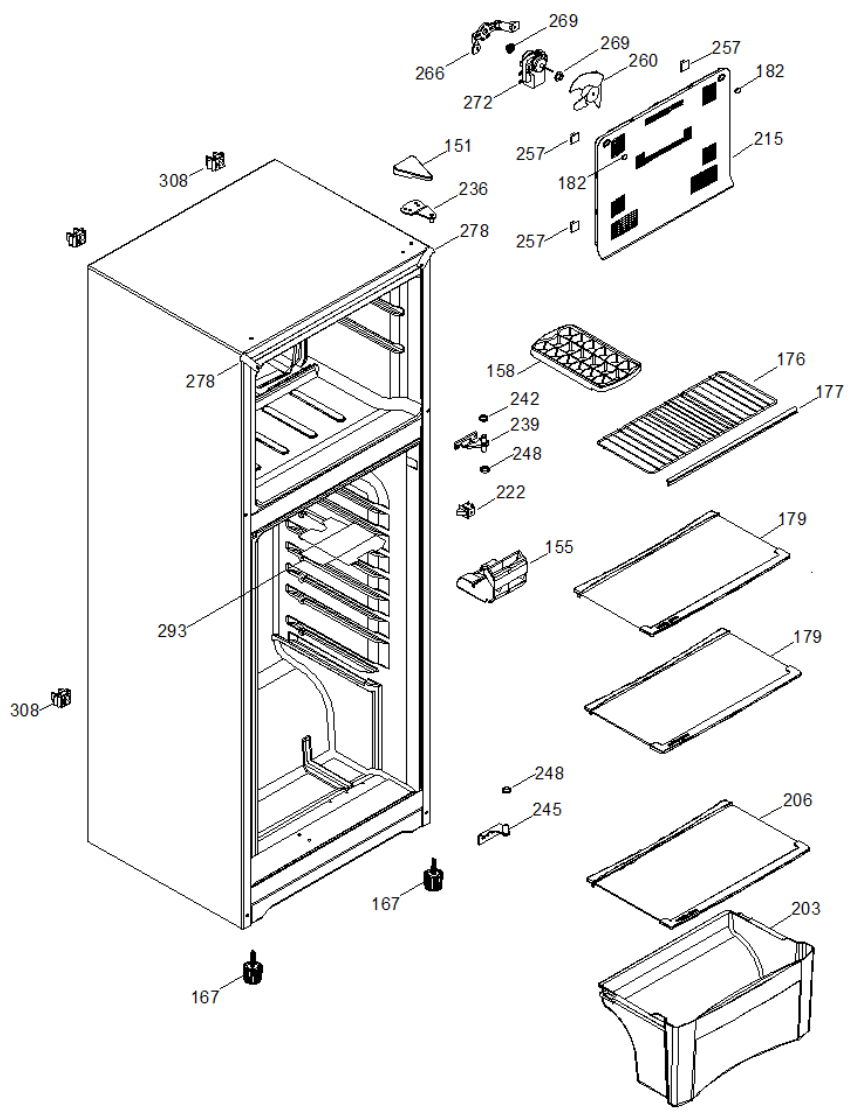


RMP0925VMXB0

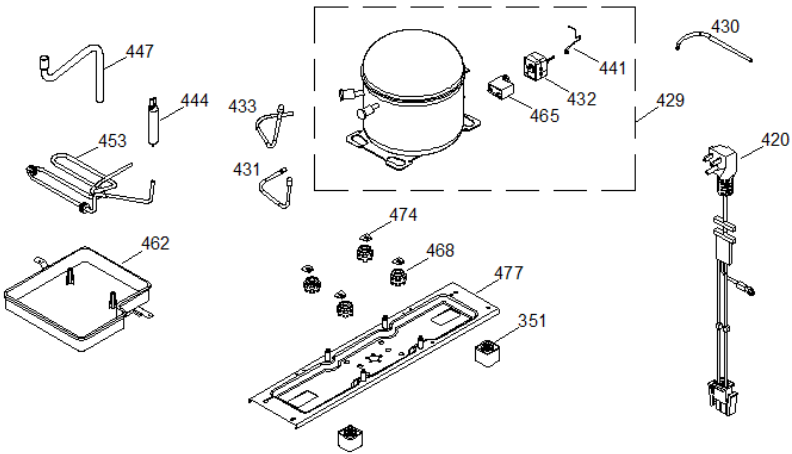
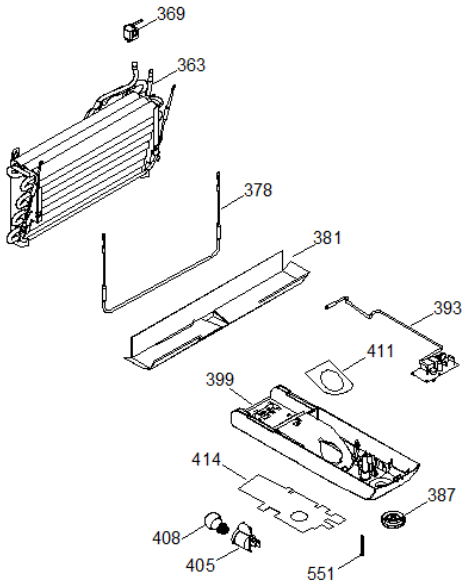
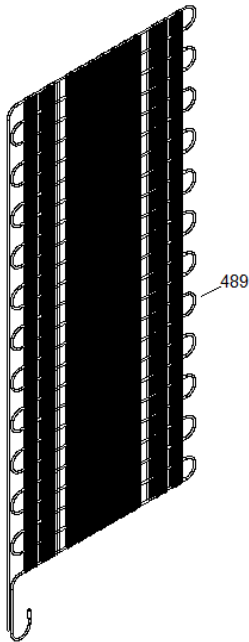


RMP0925VMXB0



206 TAPA CAJON LEGUMBRES ENS.
 VEG PAN ASM

RMP0925VMXB0





RMP0925VMXB0

1	186D5844G010E	PTA.FZ.ESP.8 PERS.DB.B
4	238C2881P001	PLACA EMBLEMA MABE SED
10	221C5126P001	TAPON BCO
13	221C8340P003	TOPE PUERTA CONGELADOR DER
16	186D5827G025	PUERTA CONSERVADOR CURVA(BCO)
17	186D3091P002	ANAQUEL BARRA ANGOSTO
28	221C5251P002	TOPE PUERTA REFRIGERADOR
31	238C1489P003	CHAROLA DE HUEVOS
38	200D2698P001	ANAQUEL ANGOSTO CONG./REFRIG.
52	314B8506P004	BUJE PUERTA (BCO)
151	186D1080P001	TAPA BISAGRA (BCA)
155	238C3694G001	DUCTO AIRE.ENS.PERS.EP
158	200D2953P003	CHAROLA CUBOS DE HIELO
167	314B8640P010	TORNILLO NIVELADOR GRIS
176	200D4020P001	PARRILLA CONGELADOR
177	314B8141P011	REMATE PARRILLA CONG
179	225D1049G002	PARRILLA CRISTAL CONGELADOR
182	355B2012P001	TAPON TORNILLO CUB.EVA
203	225D6761P001	CAJON LEGUMBRES TRANSPARENTE
206	225D2542G002C	PARR.CAJON / FF CRISTA
215	200D9300G016	CAMARA AIRE 8 9 PERS
222	314B8274P001	INTERRUPTOR FOCO
236	221C5019G001	BISAGRA SUPERIOR Y ESPAC. ENS.
239	221C5051G004	BISAGRA INTERMEDIA Y ESPAC.ENS
242	221C5045P005	RONDANA ESPACIADORA PTA. CONG.
245	314B9461G001	BISAGRA INFERIOR
248	238C1981P001	RONDANA BISAGRA
257	355B1485P001	CLIP ADHESIVO EVAP
260	197D3131G006	ASPA VENTILADOR Y ANILLO ENS.
266	238C4068P001	BRACKET POSTERIOR VENT
269	221C5143P001	EMPAQUE MOTOR VENTILADOR
272	200D2940P009	MOTOR VENT PERSEUS ENCAPSULADO
278	355B2047P001	ESQUINERO GABINETE BCO

293	238C3533P001	AISLANTE ELECTRICO PER
308	238C2369P002	CLIP CONDENSADOR
351	238C2459P001	TACON POSTERIOR SOPORTE COMP
363	200D6739G005	EVAP.EC."L"C/RESISTENC
369	238C1015P011	TERMOSTATO DESHIELO
378	238C2216G013	RESISTENCIA 220WATTS P
381	186D2836P001	CHAROLA DE DRENAJE
387	238C3223P004	PERILLA CTRL.TEMP.PERS
393	200D9607G009	TARJETA ELECTRONICA PE
399	225D1996P006	CAJA CTRL.ELECTRONICA
405	186D1259G001	SOCKET Y TERM ENS
408	314B9124P001	FOCO (25 W)
411	238C2629P001	FOIL ALUMINIO P/CAJA CTROL STD
414	355B2802P001	FOIL P/CAJA ELECTRONIC
420	200D6711G001	ARNES TOMACORRIENTE ST
429	C-BZN100L2G	COMPRESOR CBZN100L2G
430	221C7022P001	APENDICE DE SERVICIO
431	314B9038P004	APENDICE DE CARGA
432	200D5578P016	5SP16B276RH P/COMP CBZN100L2
433	314B8609P002	APENDICE DE SUCCION
441	355B2089P004	SUJETADOR CLIP 5SP
444	221C5100P006	FILTRO DESHIDRATADOR E
447	314B8606P001R4	TUBO CESPOL
453	221C8378G004	TUBO SERPENTIN AUXILIAR ENS.
462	238C2234G001	CHAROLA EVAP ENS
465	238C2606P002	CAPACITOR DE 10MFD
468	238C4369P001	AMORTIGUADOR COMPRESOR
474	871516P006	SEGURO DE SUJECION COMPRESOR
477	225D2798G002M	SOPORTE COMPRESOR ENS C/PERNO
489	200D5028P002	CONDENSADOR PLANO
551	314B8355P001	TORNILLO 8-19 HI/LO