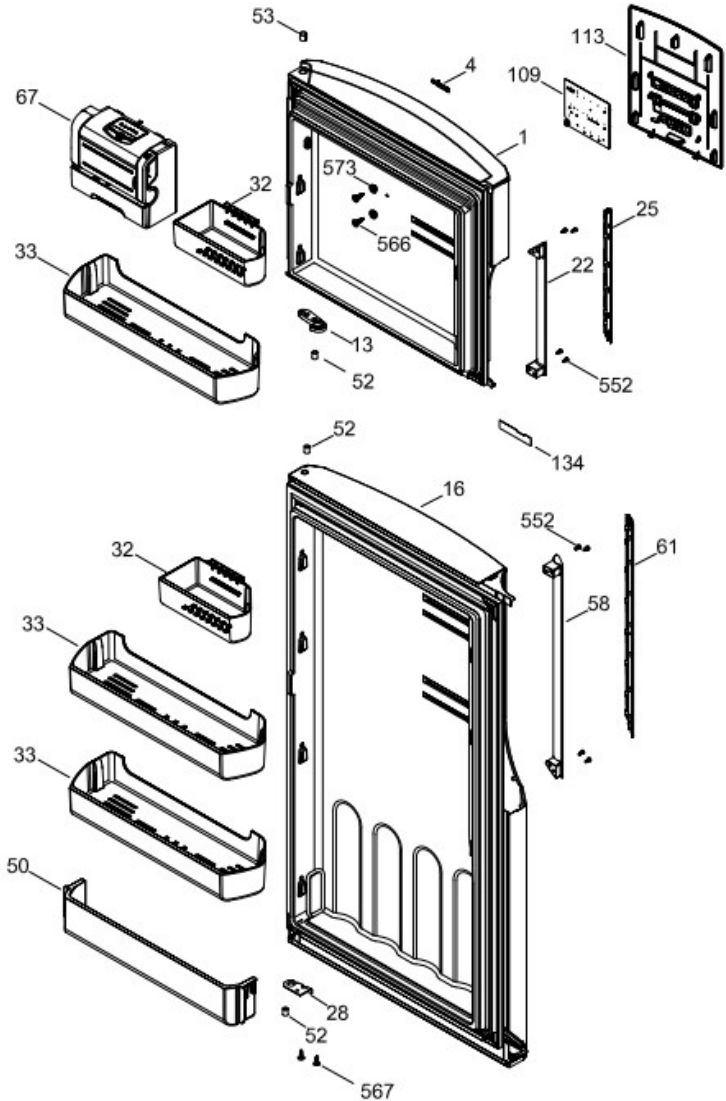


Refrigerador Mabe RMS1540YMX1

PUERTA

RMS1540YMX1



Distribuidor Autorizado

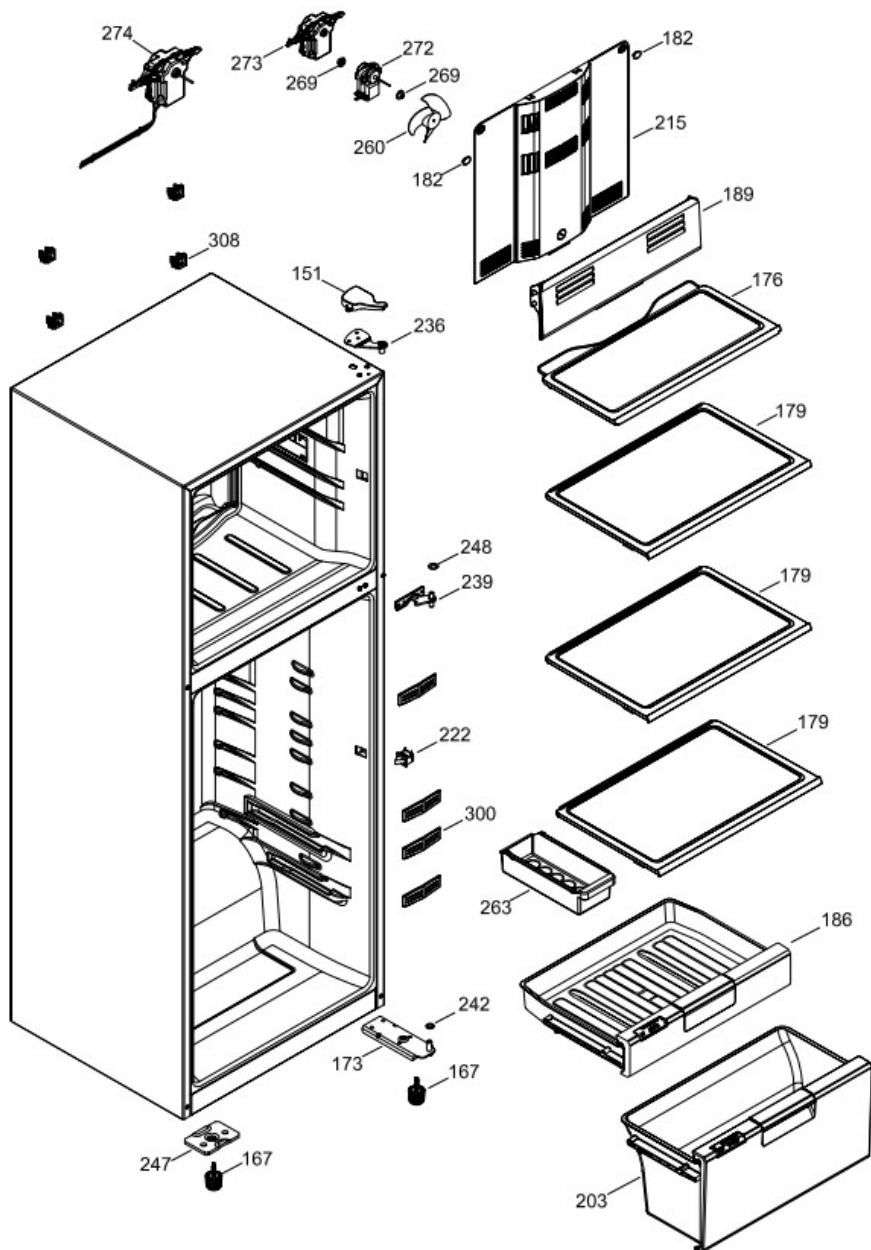
SurteRápido.com

Venta de Refacciones
Electrodomesticas

Refrigerador Mabe RMS1540YMX1

GABINETE

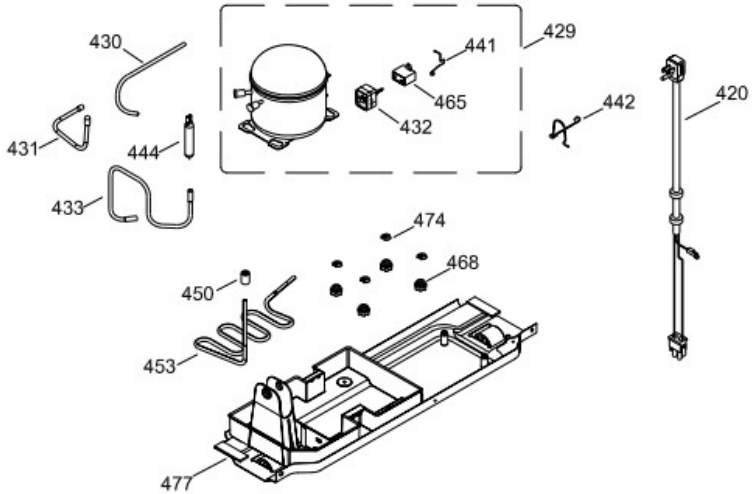
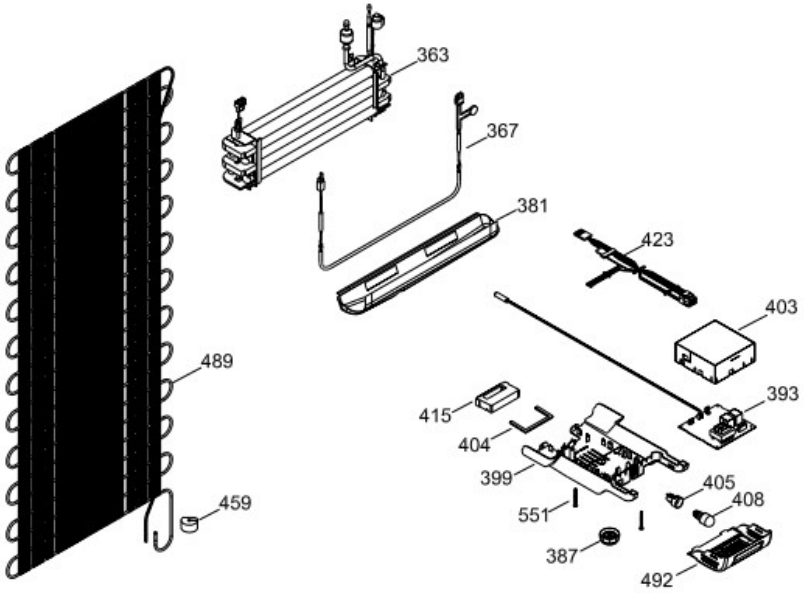
RMS1540YMX1



Refrigerador Mabe RMS1540YMX1

UNIDAD REFRIGERANTE

RMS1540YMX1





Refrigerador Mabe RMS1540YMX1

| Guía | Componente | Descripción |
|------|--------------|--------------------------------|
| 1 | 225D6200G032 | PUERTA CONGELADOR CURVA(INOX) |
| 1 | 225D6200G017 | PUERTA CONGELADOR CURVA(INOX) |
| 4 | 238C3975G001 | LOGO MABE ASM |
| 13 | 355B1499P006 | TOPE PUERTA INTERMEDIO |
| 16 | 225D6201G033 | PUERTA CONSERVADOR CURVA(INOX) |
| 16 | 225D6201G027 | PUERTA CONSERVADOR CURVA(INOX) |
| 22 | 225D6219P002 | CUERPO JALADERA CONG. |
| 22 | 225D6219P012 | CUERPO JALADERA CONG. |
| 22 | 225D6219P013 | CUERPO JALADERA CONG. |
| 25 | 225D6220P003 | INSERTO JALADERA CONG. |
| 25 | 225D6220P009 | INSERTO JALADERA CONG. |
| 25 | 225D6220P010 | INSERTO JALADERA CONG. |
| 28 | 238C2106P001 | TOPE PUERTA REFRIGERADOR |
| 32 | 225D6148P001 | ANAQUEL CORTO CONG |
| 33 | 225D6150P001 | MODULE COMPLETO CONG / ENF |
| 50 | 225D6152P001 | ANAQUEL BOTELLAS (66) |
| 52 | 238C2207P001 | BUJE BISA 1GRA |
| 53 | 355B2134P001 | BUSHING HINGE |
| 58 | 225D6219P006 | CUERPO JALADERA CONG. |
| 58 | 225D6219P012 | CUERPO JALADERA CONG. |
| 58 | 225D6219P013 | CUERPO JALADERA CONG. |
| 61 | 225D6220P007 | INSERTO JALADERA REFR. |
| 61 | 225D6220P009 | INSERTO JALADERA REFR. |
| 61 | 225D6220P010 | INSERTO JALADERA REFR. |
| 67 | 225D5990G002 | FABRICA HIELOS ENS. |
| 109 | 225D6020G002 | TARJETA DISPLAY SIRIUS |
| 113 | 238C4605G001 | SOPORTE DISPLAY ENS. |
| 134 | 238C2819P012 | FOIL ALUMINIO |



Refrigerador Mabe RMS1540YMX1

| Guía | Componente | Descripción |
|------|--------------|---------------------------------|
| 151 | 225D6256P003 | TAPA BISAGRA DISPLAY |
| 167 | 314B8640P010 | TORNILLO NIVELADOR |
| 173 | 200D3283G009 | SOP.BIS.INF.ENS.PERNO REMACHADO |
| 176 | 225D6049G001 | PARRILLA CRISTA LCONGELADOR |
| 179 | 225D6046G001 | PARRILLA CRISTAL ENFRIADOR |
| 182 | 355B2012P001 | BOTON |
| 186 | 225D6054G001 | CAJON DELI ENSAMBLE |
| 186 | 225D6054G009 | CAJON DELI ENSAMBLE |
| 189 | 225D5904G001 | ENFRIADOR EXPRESS |
| 203 | 225D6052G005 | CAJON LEGUMBRES ENS. |
| 203 | 225D6052G013 | CAJON LEGUMBRES ENS. |
| 215 | 225D6465G001 | CUBIERTA EVAPORADOR SUBENSAMBL |
| 222 | 314B8274P003 | INTERRUPTOR FOCO |
| 236 | 238C2735G006 | BISAGRA SEPARADOR ENS. |
| 239 | 355B3920G001 | BISAGRA INTERMEDIA ENS. |
| 242 | 238C1981P001 | ESPACIADOR BISAGRA |
| 242 | 238C1981P002 | ESPACIADOR BISAGRA |
| 247 | 238C3963P001 | SOPORTE NIVELADOR |
| 248 | 203C2032P010 | RONDANA BISAGRA |
| 260 | 197D3131G006 | ASPA DE VENTILADOR ENS |
| 263 | 238C4523P001 | HUEVERA |
| 269 | 221C5143P001 | EMPAQUE VENTILADOR |
| 272 | 200D2940P025 | MOTOR VENTILADOR FZ.127V.S.360 |
| 273 | 225D6193P001 | CUBIERTA MOTOR |
| 274 | 225D6184G003 | ENS. MOTOR VENTILADOR |
| 274 | 225D6184G001 | ENS. MOTOR VENTILADOR |
| 300 | 238C4459P001 | REJILLA DE AIRE FF |
| 308 | 238C2369P001 | CLIP CONDENSADOR PLANO CH |



Refrigerador Mabe RMS1540YMX1

| Guía | Componente | Descripción |
|------|--------------|--------------------------------|
| 308 | 238C2369P006 | CLIP CONDENSADOR PLANO CH |
| 363 | 225D6018G025 | EVAPORADOR ENS 220 V |
| 367 | 225D7049G013 | ARNES RESIST"Y"127V(400LT)COMP |
| 381 | 225D5671P001 | CHAROLA DE DESHIELO |
| 393 | 225D6423G002 | TARJETA CONTROL |
| 399 | 225D6217P002 | CAJA CONTROL |
| 403 | 225D6218P002 | CAJA PROTECTOR TARJETA |
| 404 | 355B3705P001 | SELLO DE ESPUMA |
| 405 | 238C2927P001 | SOCKET ENS. |
| 408 | 238C2688P001 | FOCO FF |
| 408 | 238C4973P001 | FOCO FF |
| 408 | 238C4973P003 | FOCO LED 130V (1.5W) |
| 415 | 238C4573P001 | DUCTO SENS.OR AIRE |
| 420 | 225D6117G002 | ARNES TOMACORR.127V SIR.360 |
| 420 | 225D6117G007 | ARNES TOMACORR.127V SIR.360 |
| 423 | 225D7048G001 | ARNES CAJA CONTROL SIRIUS 360 |
| 429 | C-BZN100L2G | COMPRESOR |
| 429 | 200D5729P020 | COMPRESOR |
| 430 | 355B1400P002 | APEND.TUBO CARGA 400-510.115V |
| 431 | 314B9038P004 | APENDICE DE SERVICIO 85MM |
| 432 | 200D5578P016 | PROTECTOR RELEVADOR |
| 433 | 238C1761P001 | TUBO APENDICE SUCCION 15'16'18 |
| 441 | 355B2089P010 | CLIP 5SP 127V GLOBE CAPACITOR |
| 442 | 355B2089P012 | CLIP CONECTOR |
| 444 | 221C5100P008 | FILTRO DESHIDRATADOR |
| 450 | 355B1473P001 | VALVULA DREN |
| 453 | 200D2589G002 | ENS. TUBO AUX. |
| 453 | 200D2589G008 | ENS. TUBO AUX. |



Refrigerador Mabe RMS1540YMXX1

| Guía | Componente | Descripción |
|------|--------------|--------------------------------|
| 459 | 314B9163P003 | AMORTIGUADOR PARA CONDENSAR |
| 465 | 238C2606P002 | CAPACITOR |
| 468 | 238C4369P001 | AMORTIGUADOR |
| 474 | 871516P006 | CLIP COMPRESOR |
| 477 | 200D3274G004 | SOPORTE COMPRESOR ENS |
| 477 | 200D3274G005 | SOPORTE COMPRESOR ENS |
| 489 | 200D5028P017 | CONDENSADOR PLANO |
| 492 | 225D6059P001 | CUBIERTA LUZ |
| 551 | 314B8355P001 | TORNILLO 8-19 |
| 552 | 314B8114P001 | TORNILLO C/PHILL.(8-32X12.7MM. |
| 566 | 355B1714P001 | PIEZA 8-18X3/4 |
| 567 | 314B8238P001 | TORNILLO TIPO AB(8-18*5/8) |
| 573 | 355B3556P001 | BOTON FABRICA DE HIELOS |