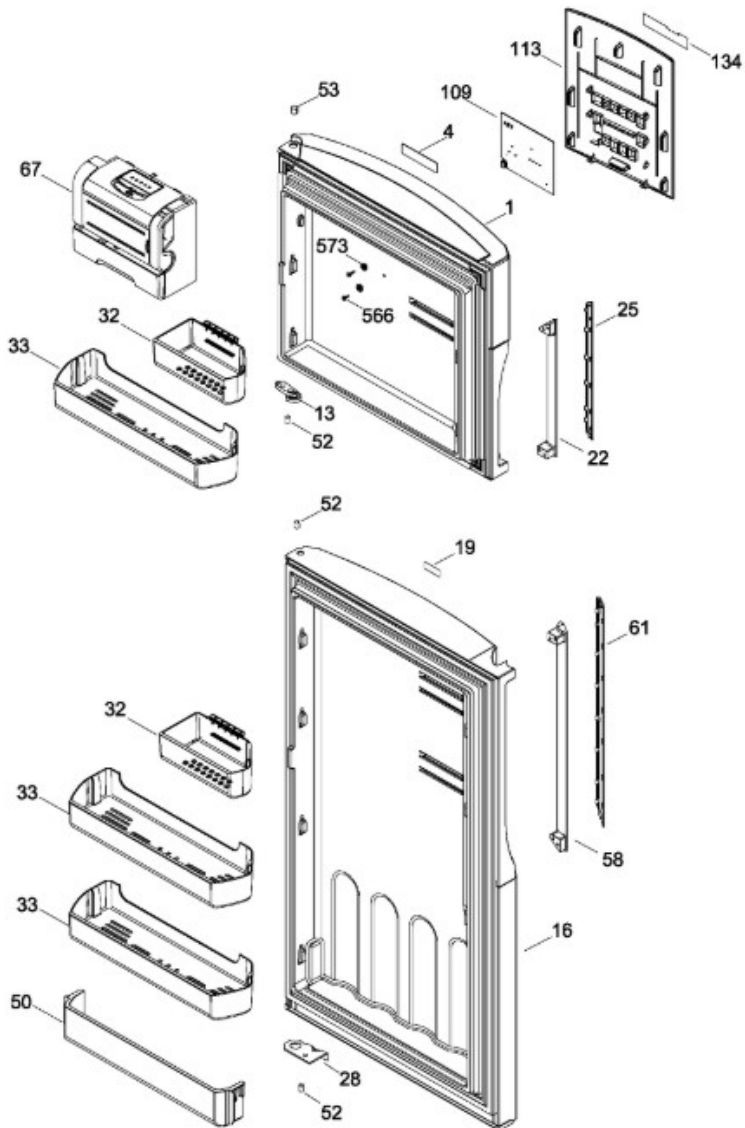


Refrigerador Mabe RMS1540YUNB0

PUERTA

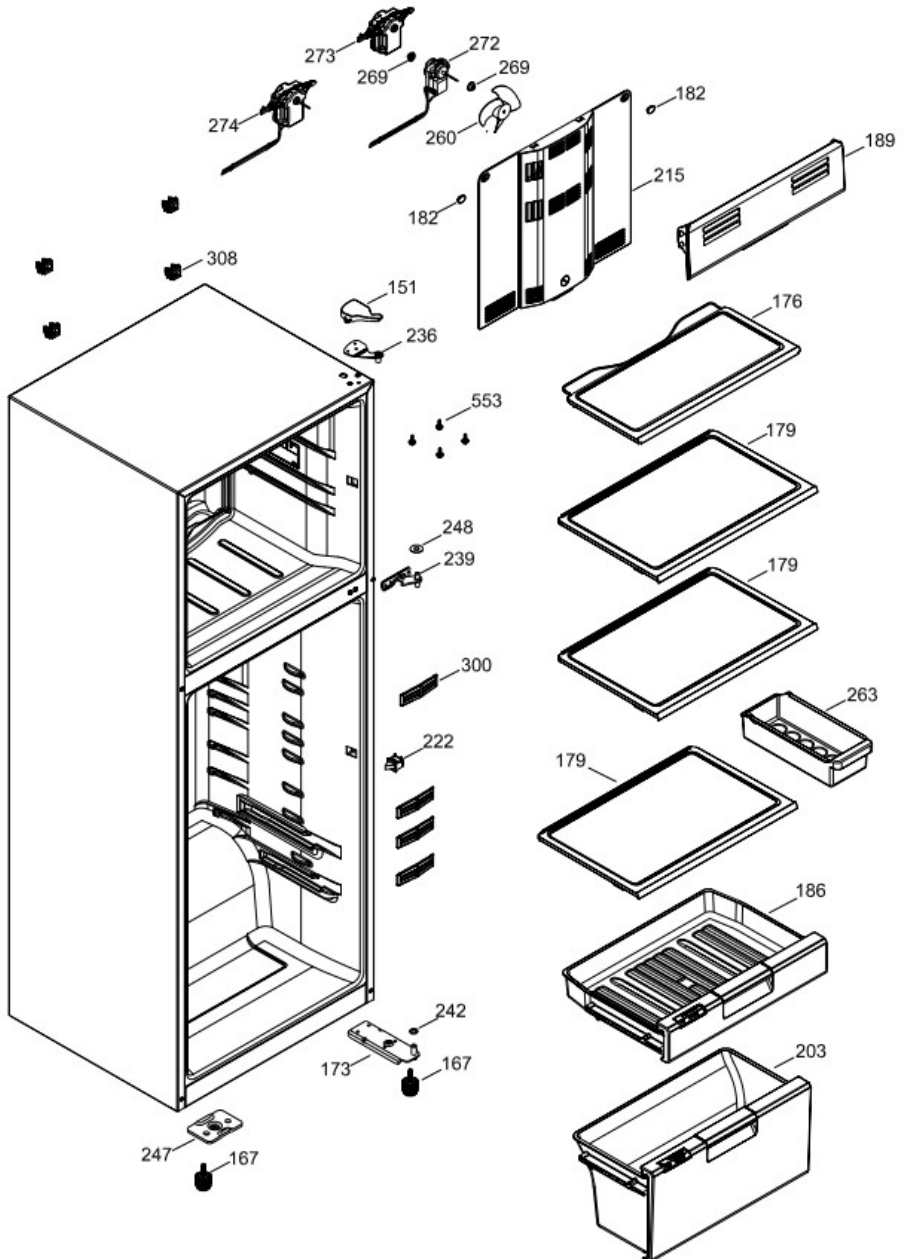
RMS1540YUNB0



Refrigerador Mabe RMS1540YUNB0

GABINETE

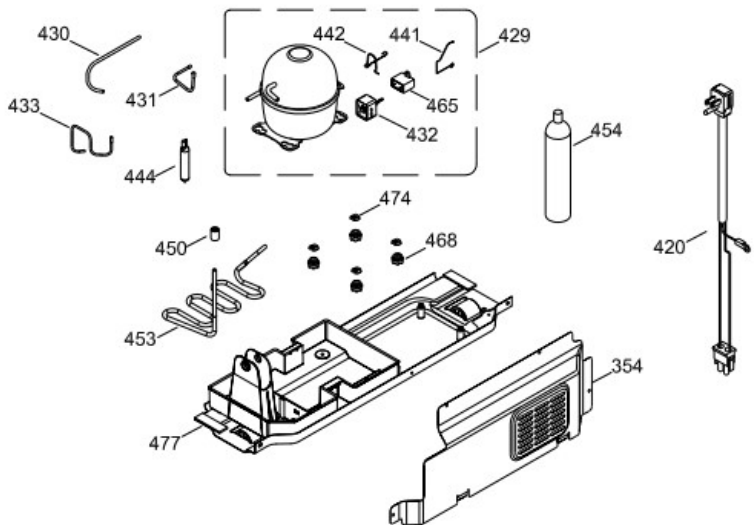
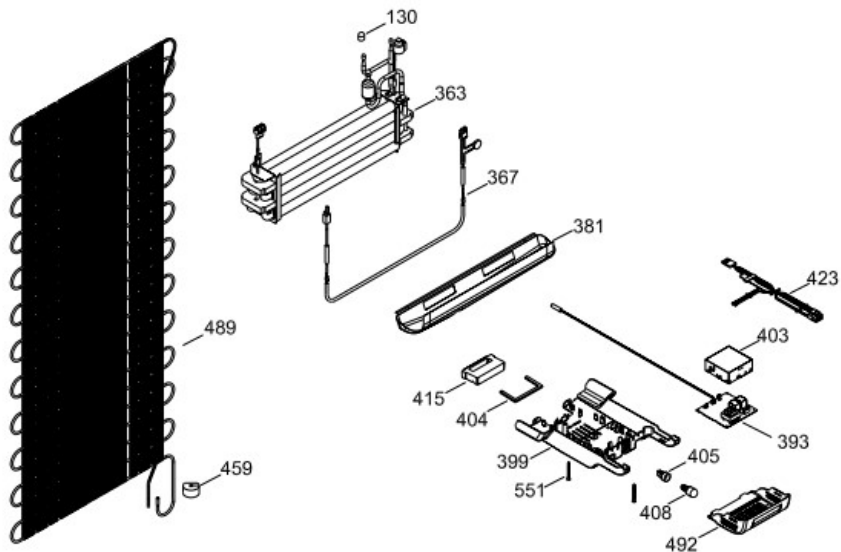
RMS1540YUNB0



Refrigerador Mabe RMS1540YUNBO

UNIDAD REFRIGERANTE

RMS1540YUNBO





## Refrigerador Mabe RMS1540YUNBO

Guía	Componente	Descripción
1	225D6200G031	PUERTA CONG.
4	238C3975G001	LOGO MABE ASM
13	355B1499P006	TOPE PUERTA INTERMEDIO
16	225D6201G029	PUERTA CONSERVADOR CURVA(BCO)
16	225D6201G001	PUERTA CONSERVADOR CURVA(BCO)
19	355B2270P002	ETIQUETA ESTRELLAS
22	225D6219P001	CUERPO JALADERA CONG.
25	225D6220P001	INSERTO JALADERA CONG.
28	238C2106P001	TOPE PUERTA REFRIGERADOR
32	225D6148P001	ANAQUEL CORTO CONG
33	225D6150P001	MODULE COMPLETO CONG / ENF
50	225D6152P001	ANAQUEL BOTELLAS (66)
52	238C2207P001	BUJE BISA 1GRA
53	355B2134P001	BUSHING HINGE
58	225D6219P005	CUERPO JALADERA CONG.
61	225D6220P005	INSERTO JALADERA REFR.
67	225D5990G002	FABRICA HIELOS ENS.
109	225D6020G002	TARJETA DISPLAY SIRIUS
113	238C4605G001	SOPORTE DISPLAY ENS.
130	314B8065P006	TAPON PLASTICO
134	238C2819P012	FOIL ALUMINIO
151	225D6256P001	TAPA BISAGRA DISPLAY
167	314B8640P010	TORNILLO NIVELADOR
173	200D3283G009	SOP.BIS.INF.ENS.PERNO REMACHADO
176	225D6049G001	PARRILLA CRISTA LCONGELADOR
179	225D6046G001	PARRILLA CRISTAL ENFRIADOR
182	355B2012P001	BOTON
186	225D6054G001C	CAJON DELI ENS.



## Refrigerador Mabe RMS1540YUNB0

Guía	Componente	Descripción
186	225D6054G001	CAJON DELI ENS.
186	225D6054G009	CAJON DELI ENS.
189	225D5904G001	ENFRIADOR EXPRESS
203	225D6052G005	CAJON LEGUMBRES ENS.
203	225D6052G013	CAJON LEGUMBRES ENS.
215	225D6465G001	CUBIERTA EVAPORADOR SUBENSAMBL
222	314B8274P001	INTERRUPTOR (6.67.6YL3CER)RVO
236	238C2735G006	BISAGRA SEPARADOR ENS.
239	355B1718G012	BISAGRA INTERMEDIA ENS.
239	355B3920G001	BISAGRA INTERMEDIA ENS.
242	238C1981P001	ESPACIADOR BISAGRA
242	238C1981P002	ESPACIADOR BISAGRA
247	238C3963P001	SOPORTE NIVELADOR
248	203C2032P010	RONDANA BISAGRA
260	197D3131G006	ASPA DE VENTILADOR ENS
263	238C4523P001	HUEVERA
269	221C5143P001	EMPAQUE VENTILADOR
272	200D2940P025	MOTOR VENTILADOR FZ.127V.S.360
273	225D6193P001	CUBIERTA MOTOR
274	225D6184G001	ENS.MOTOR VENT.EVA SIRIUS 110V
300	238C4459P001	REJILLA DE AIRE FF
308	238C2369P001	CLIP CONDENSADOR PLANO CH
308	238C2369P006	CLIP CONDENSADOR PLANO CH
354	225D2317P003	TAPA COMPRESOR SIRIUS (400LT
363	225D6018G025	EVAPORADOR ENS 220 V
367	225D7049G013	ARNES RESIST"Y"127V(400LT)COMP
381	225D5671P001	CHAROLA DE DESHIELO
393	225D6423G002	TARJETA CONTROL



## Refrigerador Mabe RMS1540YUNBO

Guía	Componente	Descripción
399	225D6217P002	CAJA CONTROL
403	225D6218P002	CAJA PROTECTOR TARJETA
404	355B3705P001	SELLO DE ESPUMA
405	238C2927P001	SOCKET ENS.
408	238C2688P001	FOCO FF
408	238C4973P001	FOCO FF
408	238C4973P003	FOCO LED 130V (1.5W)
415	238C4573P001	DUCTO SENS.OR AIRE
420	225D6117G002	ARNES TOMACORR.127V SIR.360
420	225D6117G007	ARNES TOMACORR.127V SIR.360
423	225D7048G001	ARNES CAJA CONTROL SIRIUS 360
429	C-BZN100L2G	COMPRESOR
429	200D5729P020	COMPRESOR
430	355B1400P002	APEND.TUBO CARGA 400-510.115V
431	314B9038P004	APENDICE DE SERVICIO 85MM
432	200D5578P016	PROTECTOR RELEVADOR
433	238C1761P001	TUBO APENDICE SUCCION 15'16'18
441	355B2089P010	CLIP 5SP 127V GLOBE CAPACITOR
442	355B2089P012	CLIP CONECTOR
444	221C5100P008	FILTRO DESHIDRATADOR
450	355B1473P001	VALVULA DREN
453	200D2589G002	ENS. TUBO AUX.
453	200D2589G008	ENS. TUBO AUX.
454	G134P002	GAS 134 LATA 340 GRS
454	022-021109-1	GAS 134 LATA 340 GRS
459	314B9163P003	AMORTIGUADOR PARA CONDENSDR
465	238C2606P002	CAPACITOR
468	238C4369P001	AMORTIGUADOR



## Refrigerador Mabe RMS1540YUNBO

Guía	Componente	Descripción
474	871516P006	CLIP COMPRESOR
477	200D3274G004	SOPORTE COMPRESOR ENS
477	200D3274G005	SOPORTE COMPRESOR ENS
489	200D5028P017	CONDENSADOR PLANO
492	225D6059P001	CUBIERTA LUZ
551	314B8355P001	TORNILLO 8-19
553	355B3597P001	TORNILLO PARA SOPORTE COMPSR
566	355B1714P001	PI6JA 8-18X3/4
573	355B3556P001	BOTON FABRICA DE HIELOS