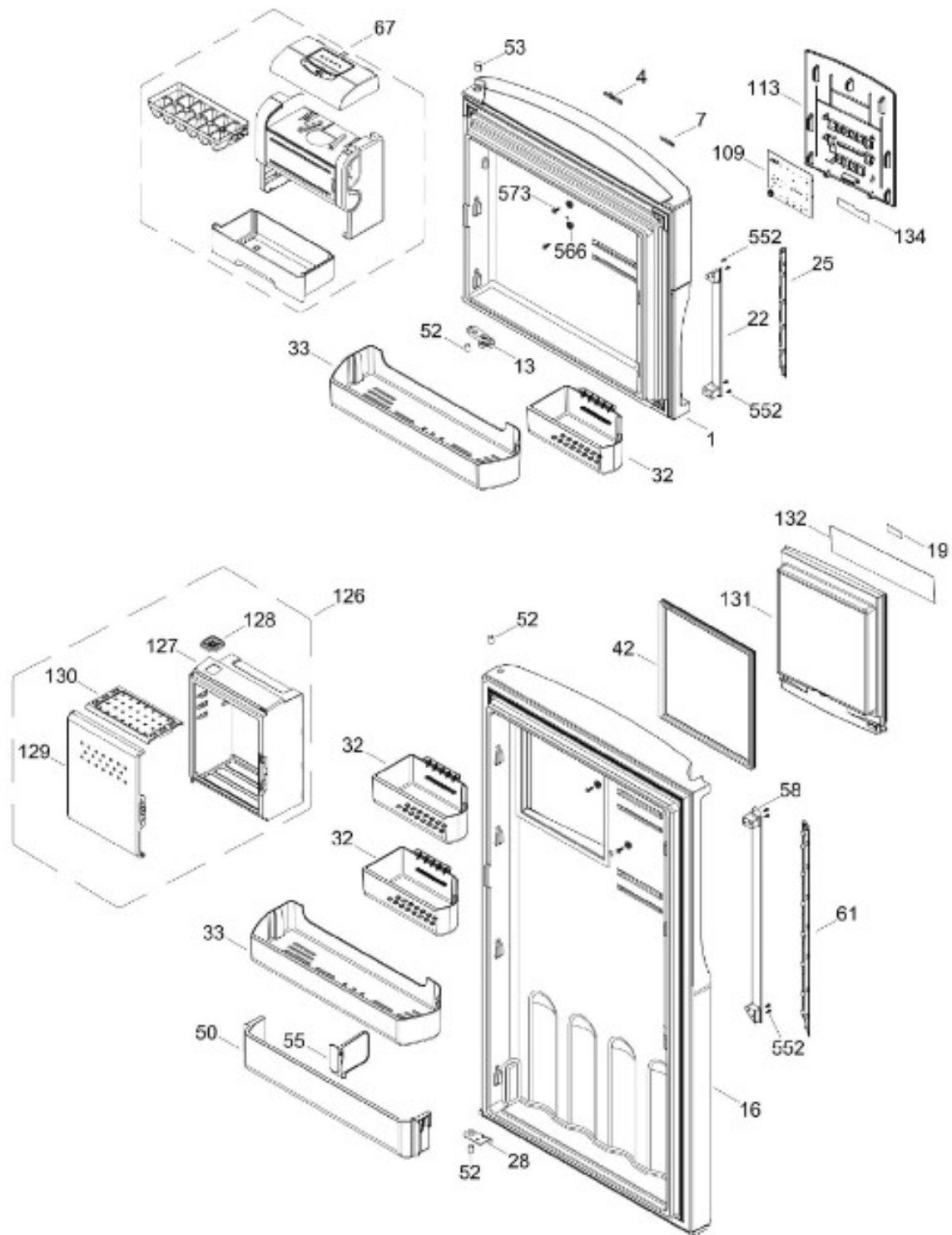




REFRIGERADOR RMS1540ZKUS0

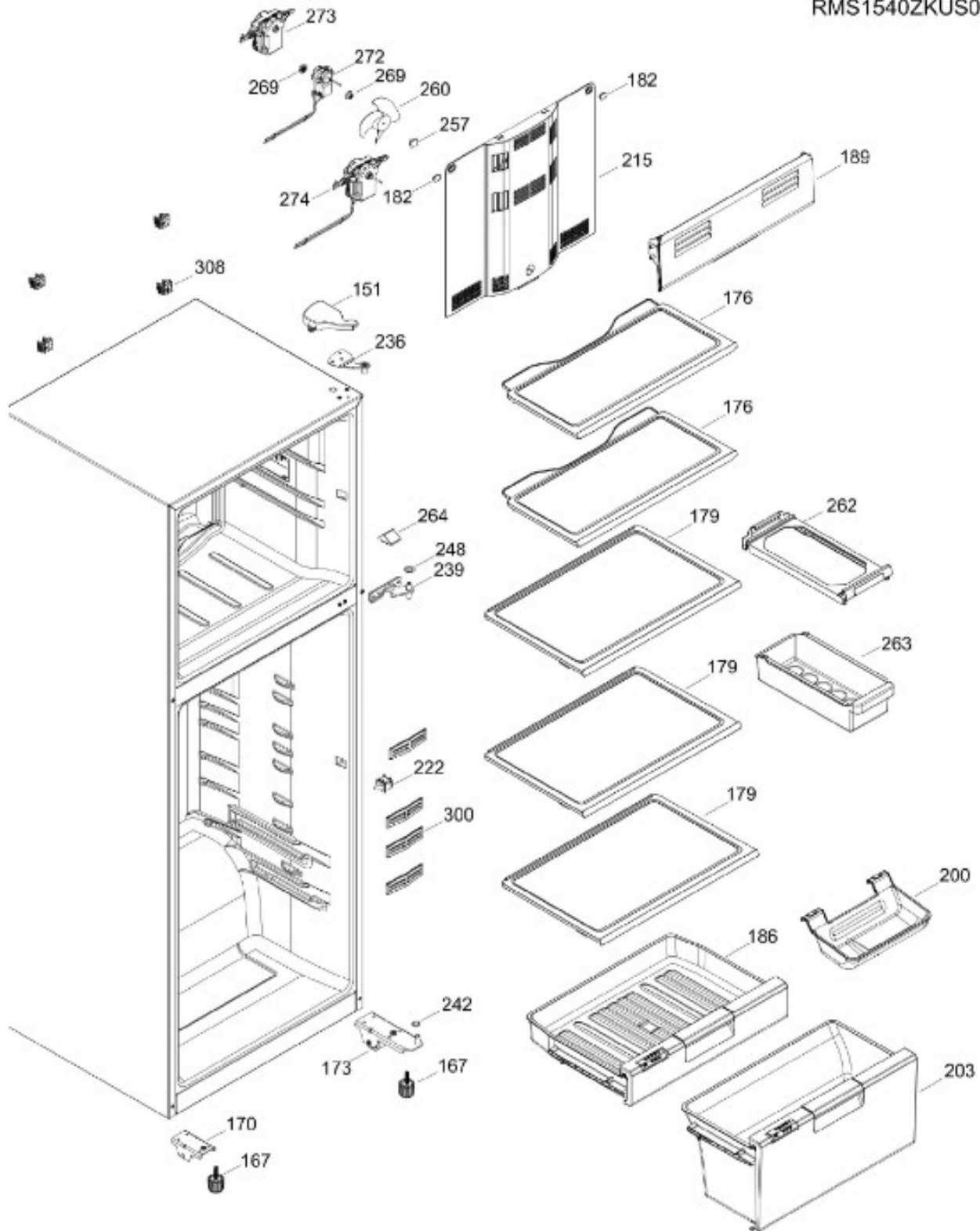
| PUERTA

RMS1540ZKUB0
RMS1540ZKUS0



GABINETE

RMS1540ZKUB0
RMS1540ZKUS0

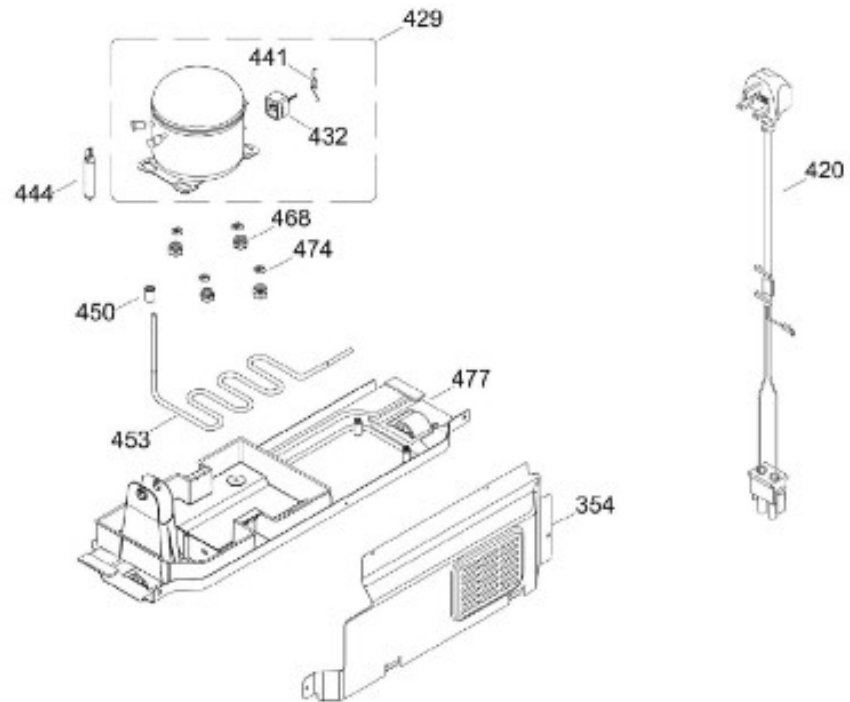
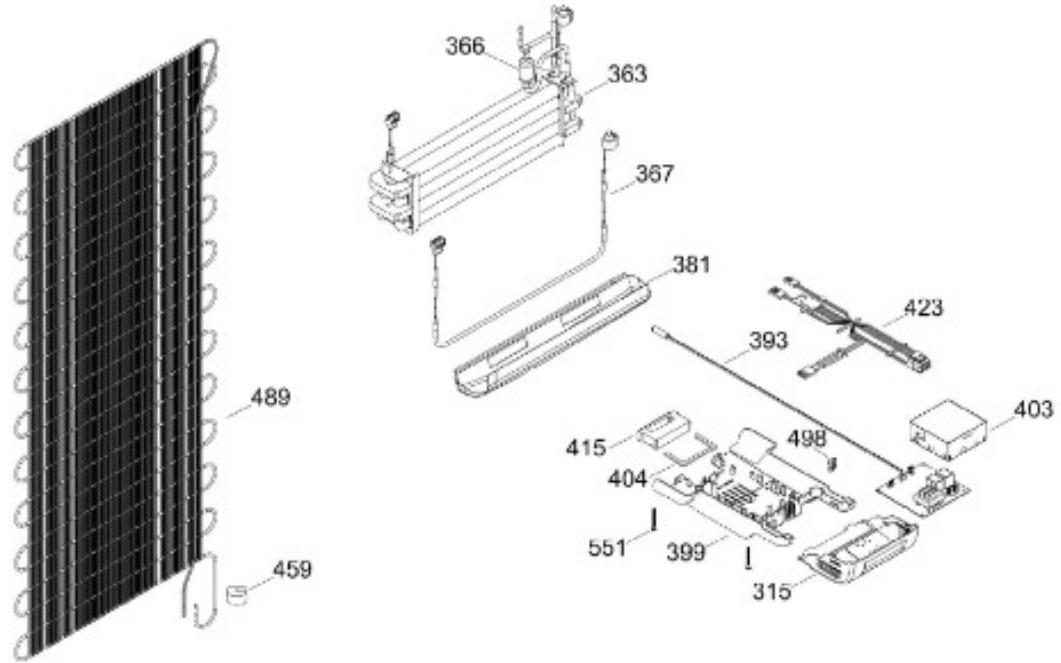




REFRIGERADOR RMS1540ZKUS0

UNIDAD REFRIGERANTE

RMS1540ZKUB0
RMS1540ZKUS0



| Guía | Refacción | Descripción |
|------|------------|--------------------------------|
| 1 | WR01L05808 | PUERTA CONG. |
| 1 | WR01L12973 | PUERTA CONG. |
| 4 | WR01A00377 | LOGO MABE ASM |
| 7 | WR01A01126 | ETIQUETA ESTRELLAS |
| 13 | WR01A01217 | TOPE PUERTA INTERMEDIO |
| 16 | WR01L05587 | PUERTA REFR. |
| 16 | WR01L08935 | PUERTA REFR. |
| 16 | WR01L08934 | PUERTA REFR. |
| 16 | WR01L08934 | PUERTA CONSERVADOR CURVA(INOX) |
| 19 | WR01A01125 | ETIQUETA ESTRELLAS |
| 22 | WR01L04898 | CUERPO JALADERA CONG. |
| 22 | WR01L09718 | CUERPO JALADERA CONG. |
| 22 | WR01L09719 | CUERPO JALADERA CONG. |
| 25 | WR01L05079 | INSERTO JALADERA CONG. |
| 25 | WR01L11070 | INSERTO JALADERA CONG. |
| 25 | WR01L11071 | INSERTO JALADERA CONG. |
| 25 | WR01L13386 | INSERTO JALADERA FF SPARKLING |
| 28 | WR01A01273 | TOPE PUERTA REFRIGERADOR |
| 32 | WR01L04675 | ANAQUEL CORTO CONG |
| 33 | WR01L04686 | MODULE COMPLETO CONG / ENF |
| 42 | WR01L06102 | SELLO PUERTA FF ACC.EXT. |
| 42 | WR01L05942 | SELLO PUERTA FF ACC.EXT. |
| 50 | WR01L04683 | ANAQUEL BOTELLAS (66) |
| 52 | WR01L02462 | BUJE BISAGRA |
| 53 | WR01L00340 | BUSHING HINGE |
| 55 | WR01L05950 | SEPARADOR BOTELLAS |
| 58 | WR01L04896 | CUERPO JALADERA CONG. |
| 58 | WR01L09718 | CUERPO JALADERA CONG. |
| 58 | WR01L09719 | CUERPO JALADERA CONG. |
| 61 | WR01L05071 | INSERTO JALADERA REFR. |
| 61 | WR01L11070 | INSERTO JALADERA REFR. |
| 61 | WR01L11071 | INSERTO JALADERA REFR. |
| 61 | WR01L13386 | INSERTO JALADERA FF SPARKLING |
| 67 | WR01F02218 | FABRICA HIELOS ENS. |
| 109 | WR01F02339 | TARJETA DISPLAY |



REFRIGERADOR RMS1540ZKUS0

| Guía | Refacción | Descripción |
|------|------------|--------------------------------|
| 109 | WR01F02537 | TARJETA DISPLAY |
| 113 | WR01F02187 | SOPORTE DISPLAY ENS. |
| 126 | WR01L05020 | ENS. SMART STATION |
| 127 | WR01L04955 | ENS. PANELES |
| 128 | WR01L04920 | ENS. SELLO SILICON SS |
| 129 | WR01L05018 | ENS. PUERTA SS |
| 130 | WR01L05133 | PARRILLA SS |
| 131 | WR01L04921 | ACCESO EXT. COMPLETO |
| 132 | WR01F02251 | MASCARA INSERTO REFR. |
| 134 | WR01F02235 | FOIL ALUMINIO |
| 151 | WR01L05964 | TAPA BISAGRA DISPLAY |
| 167 | WR01A01225 | TORNILLO NIVELADOR |
| 167 | WR01A02469 | TORNILLO NIVELADOR |
| 170 | WR01A01165 | SOPORTE RUEDA ENS. |
| 170 | WR01A01179 | SOPORTE RUEDA ENS. |
| 173 | WR01A01162 | SOPORTE BISAGRA |
| 173 | WR01A01275 | SOPORTE BISAGRA |
| 176 | WR01L05129 | PARRILLA CRISTA LCONGELADOR |
| 176 | WR01A02547 | PARRILLA CRISTA LCONGELADOR |
| 179 | WR01L05127 | PARRILLA CRISTAL ENFRIADOR |
| 182 | WR01A01201 | BOTON |
| 186 | WR01L04773 | CAJON DELI ENS. |
| 186 | WR01L09364 | CAJON DELI ENS. |
| 186 | WR01L11146 | CAJON DELI ENS. |
| 189 | WR01F02133 | ENFRIADOR EXPRESS |
| 200 | WR01L04714 | BALCON DELICADOS |
| 203 | WR01L04785 | CAJON LEGUMBRES ENS. |
| 203 | WR01L11145 | CAJON LEGUMBRES ENS. |
| 215 | WR01L04932 | CUBIERTA EVAPORADOR SUBENSAMBL |
| 222 | WR01L05089 | INTERRUPTOR (6.67.6YL3CER)RVO |
| 236 | WR01L04760 | BISAGRA SEPARADOR ENS. |
| 239 | WR01L04755 | BISAGRA INTERMEDIA ENS. |
| 239 | WR01L09400 | BISAGRA INTERMEDIA ENS. |
| 242 | WR01A01112 | ESPACIADOR BISAGRA |
| 242 | WR01A01110 | ESPACIADOR BISAGRA |

| Guía | Refacción | Descripción |
|------|------------|--------------------------------|
| 248 | WR01A01150 | RONDANA BISAGRA |
| 257 | WR01A01099 | CLIP ADHESIVO EVAP |
| 260 | WR01F00099 | ASPA DE VENTILADOR ENS |
| 262 | WR01A01176 | SOPORTE HUEVERA |
| 263 | WR01L05041 | HUEVERA |
| 264 | WR01L05019 | REJILLA DE AIRE ENS. |
| 269 | WR01A00239 | EMPAQUE VENTILADOR |
| 272 | WR01F02264 | MOTOR VENTILADOR |
| 272 | WR01F03788 | MOTOR VENTILADOR |
| 273 | WR01L04888 | CUBIERTA MOTOR |
| 274 | WR01F02174 | ENS. MOTOR VENTILADOR |
| 274 | WR01F02174 | ENS. MOTOR VENTILADOR |
| 300 | WR01L05913 | REJILLA DE AIRE FF |
| 308 | WR01A01277 | CLIP CONDENSADOR PLANO CH |
| 308 | WR03F04711 | CLIP CONDENSADOR PLANO CH |
| 315 | WR01L04886 | CUBIERTA LED ENS. |
| 354 | WR01L06159 | TAPA COMPRESOR SIRIUS (400LT |
| 363 | WR01F02147 | ENS. EVAPORADOR |
| 363 | WR01F03903 | ENS. EVAPORADOR |
| 366 | WR01F01956 | ACUMULADOR ENS. |
| 366 | WR01F03746 | ACUMULADOR ENS. |
| 367 | WR01F01987 | ARENS RESISTENCIA ENS 220V |
| 381 | WR01L04806 | CHAROLA DE DESHIELO |
| 393 | WR01F02321 | TARJETA CONTROL TEMP. |
| 399 | WR01F02022 | CAJA CONTROL |
| 403 | WR01F02032 | CAJA PROTECTOR TARJETA |
| 404 | WR01L05943 | SELLO DE ESPUMA |
| 415 | WR01F02129 | DUCTO SENS.OR AIRE |
| 420 | WR01F04168 | ARNES TOMACORRIENTE U. ASM |
| 423 | WR01F01975 | ENS. ARNES CAJA CTRL COMP ALIM |
| 423 | WR01F03791 | ENS. ARNES CAJA CTRL COMP ALIM |
| 429 | WR01F02050 | COMPRESOR |
| 429 | WR01A02264 | COMPRESOR |
| 432 | WR01F02476 | PROTECTOR RELEVADOR |
| 441 | WR01A01101 | SUJETADOR CLIP 5SP |



REFRIGERADOR RMS1540ZKUS0

| Guía | Refacción | Descripción |
|------|------------|--------------------------------|
| 444 | WR01F02221 | FILTRO DESHIDRATADOR |
| 444 | WR01F03902 | FILTRO DESHIDRATADOR |
| 450 | WR01F02375 | VALVULA DREN |
| 453 | WR01F02362 | ENS. TUBO AUX. |
| 453 | WR01F02365 | ENS. TUBO AUX. |
| 459 | WR01F01964 | AMORTIGUADOR PARA CONDENSADOR |
| 468 | WR01F01965 | AMORTIGUADOR |
| 474 | WR01A00191 | CLIP COMPRESOR |
| 477 | WR01F02185 | SOPORTE COMPRESOR ENS |
| 477 | WR01F02186 | SOPORTE COMPRESOR ENS |
| 489 | WR01F02084 | CONDENSADOR PLANO |
| 498 | WR01L05985 | TAPA CAJA CONTROL |
| 551 | WR01A01224 | TORNILLO 8-19 |
| 552 | WR01A01286 | TORNILLO C/PHILL.(8-32X12.7MM. |
| 566 | WR01A01135 | PIEZA 8-18X3/4 |
| 573 | WR01L06256 | BOTON FABRICA DE HIELOS |