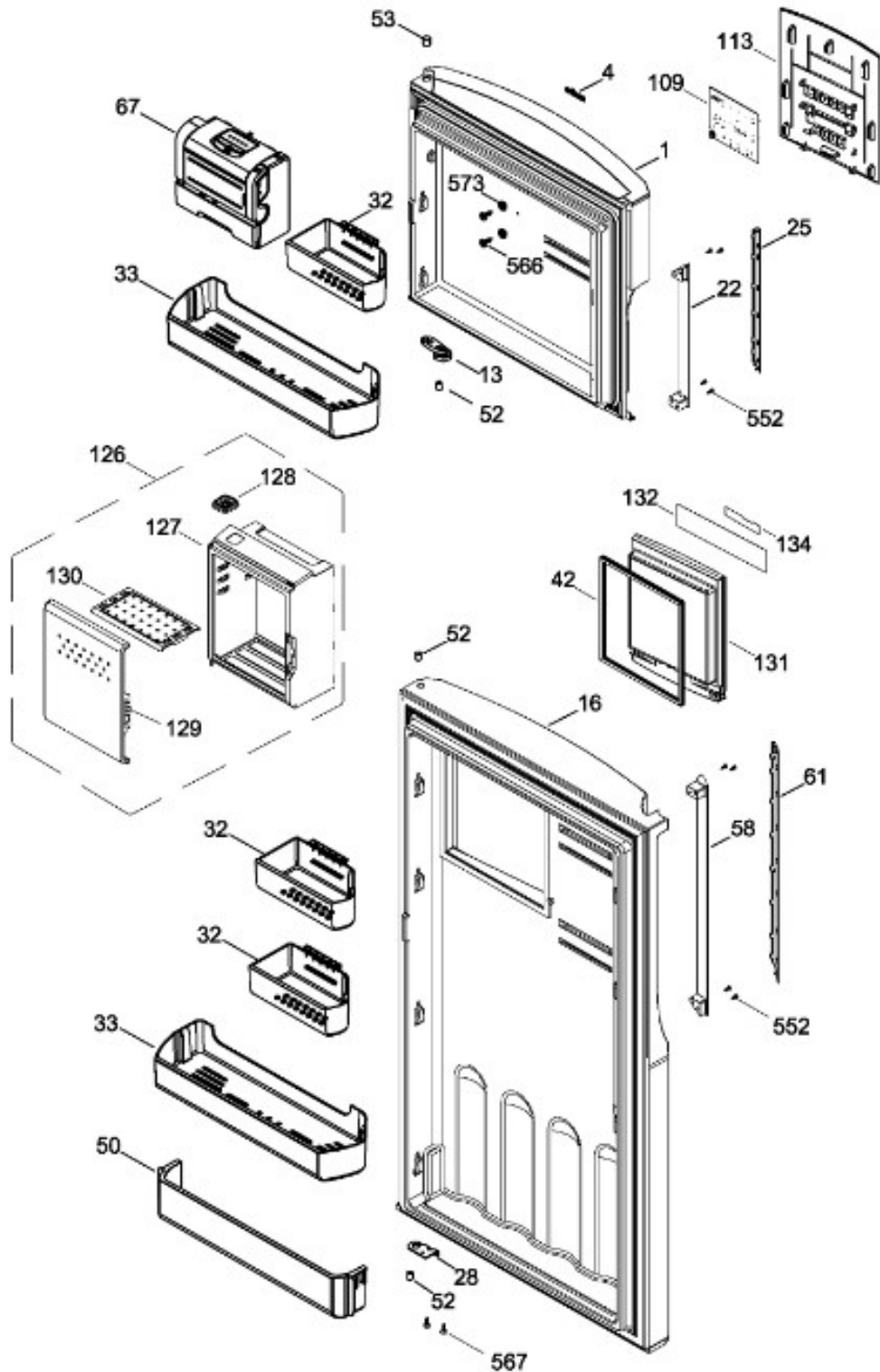




# REFRIGERADOR RMS1540ZMXX1

PUERTA

RMS1540ZMXX1

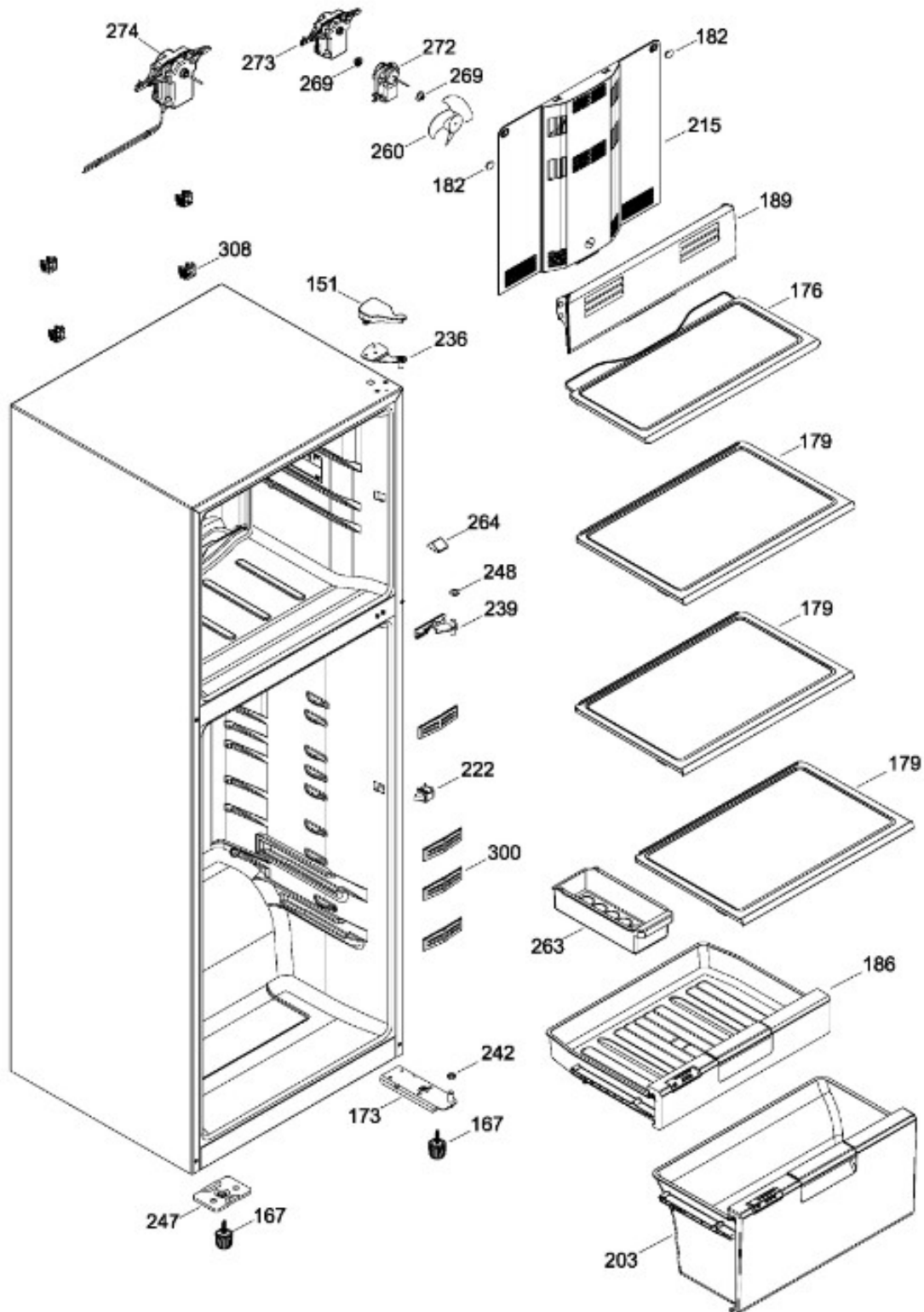


BENITO JUÁREZ #1500 GPE ZITON, CD. GUADALUPE NUEVO LEÓN TEL: 8183377999 Y 49  
HORARIOS: LUNES A VIERNES 8:30 A 6:00 PM Y SÁBADOS DE 8:30 A 2:00 PM

[www.denek.com](http://www.denek.com)

GABINETE

RMS1540ZMXX1

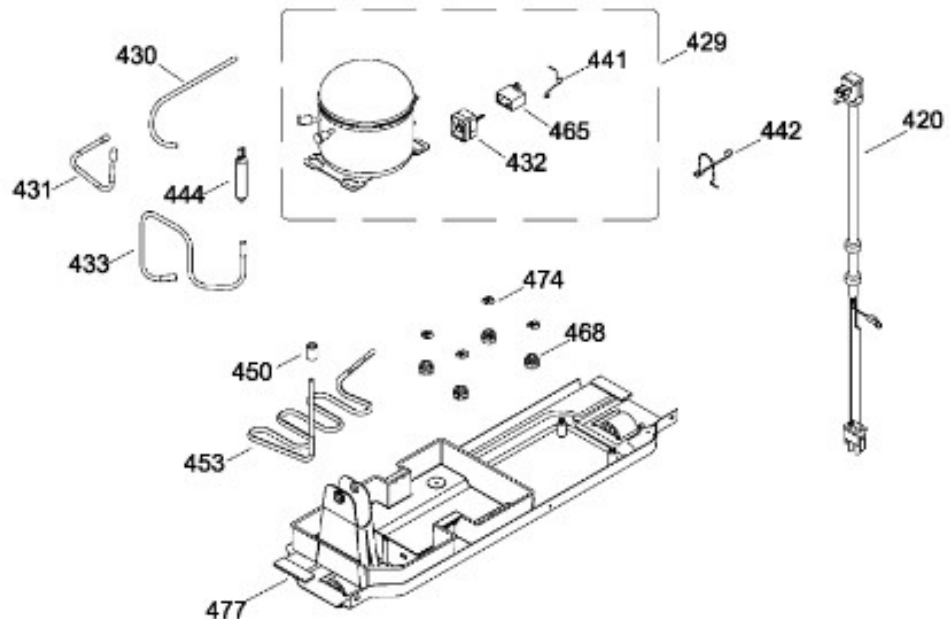
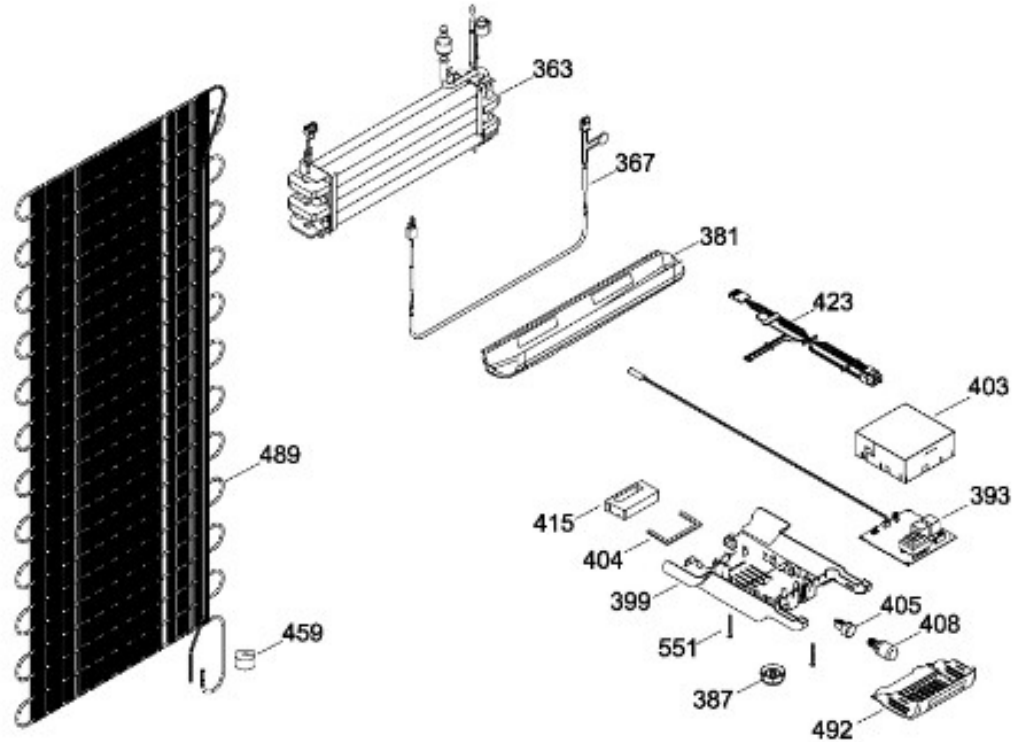




# REFRIGERADOR RMS1540ZMXX1

UNIDAD REFRIGERANTE

RMS1540ZMXX1



| Guía | Refacción  | Descripción                    |
|------|------------|--------------------------------|
| 1    | WR01L08935 | PUERTA CONGELADOR CURVA(INOX)  |
| 1    | WR01L08935 | PUERTA CONGELADOR CURVA(INOX)  |
| 4    | WR01A00377 | LOGO MABE ASM                  |
| 13   | WR01A01217 | TOPE PUERTA INTERMEDIO         |
| 16   | WR01L08934 | PUERTA CONSERVADOR CURVA(INOX) |
| 16   | WR01L08934 | PUERTA CONSERVADOR CURVA(INOX) |
| 22   | WR01L04898 | CUERPO JALADERA CONG.          |
| 22   | WR01L09718 | CUERPO JALADERA CONG.          |
| 22   | WR01L09719 | CUERPO JALADERA CONG.          |
| 25   | WR01L05079 | INSERTO JALADERA CONG.         |
| 25   | WR01L11070 | INSERTO JALADERA CONG.         |
| 25   | WR01L11071 | INSERTO JALADERA CONG.         |
| 25   | WR01L13386 | INSERTO JALADERA FF SPARKLING  |
| 28   | WR01A01273 | TOPE PUERTA REFRIGERADOR       |
| 32   | WR01L04675 | ANAQUEL CORTO CONG             |
| 33   | WR01L04686 | MODULE COMPLETO CONG / ENF     |
| 42   | WR01L05942 | SELLO AE                       |
| 50   | WR01L04683 | ANAQUEL BOTELLAS (66)          |
| 52   | WR01L02462 | BUJE BISAGRA                   |
| 53   | WR01L00340 | BUSHING HINGE                  |
| 58   | WR01L04896 | CUERPO JALADERA CONG.          |
| 58   | WR01L09718 | CUERPO JALADERA CONG.          |
| 58   | WR01L09719 | CUERPO JALADERA CONG.          |
| 61   | WR01L05071 | INSERTO JALADERA REFR.         |
| 61   | WR01L11070 | INSERTO JALADERA REFR.         |
| 61   | WR01L11071 | INSERTO JALADERA REFR.         |
| 61   | WR01L13386 | INSERTO JALADERA FF SPARKLING  |
| 67   | WR01F02218 | FABRICA HIELOS ENS.            |
| 109  | WR01F02537 | TARJETA DISPLAY SIRIUS         |
| 113  | WR01F02187 | SOPORTE DISPLAY ENS.           |
| 126  | WR01L05020 | ENS. SMART STATION             |
| 127  | WR01L04955 | ENS. PANELES                   |
| 128  | WR01L04920 | ENS. SELLO SILICON SS          |
| 129  | WR01L05018 | ENS. PUERTA SS                 |
| 130  | WR01L05133 | PARRILLA SS                    |



## REFRIGERADOR RMS1540ZMXX1

| Guía | Refacción  | Descripción                     |
|------|------------|---------------------------------|
| 131  | WR01L04921 | ACCESO EXT. COMPLETO            |
| 132  | WR01F02251 | MASCARA INSERTO REFR.           |
| 134  | WR01F02235 | FOIL ALUMINIO                   |
| 151  | WR01L05964 | TAPA BISAGRA DISPLAY            |
| 167  | WR01A01225 | TORNILLO NIVELADOR              |
| 167  | WR01A02469 | TORNILLO NIVELADOR              |
| 173  | WR01A01275 | SOP.BIS.INF.ENS.PERNO REMACHADO |
| 176  | WR01L05129 | PARRILLA CRISTA LCONGELADOR     |
| 176  | WR01A02547 | PARRILLA CRISTA LCONGELADOR     |
| 179  | WR01L05127 | PARRILLA CRISTAL ENFRIADOR      |
| 182  | WR01A01201 | BOTON                           |
| 186  | WR01L09364 | CAJON DELI ENSAMBLE             |
| 186  | WR01L11146 | CAJON DELI ENSAMBLE             |
| 189  | WR01F02133 | ENFRIADOR EXPRESS               |
| 203  | WR01L04785 | CAJON LEGUMBRES ENS.            |
| 203  | WR01L11145 | CAJON LEGUMBRES ENS.            |
| 215  | WR01L04932 | CUBIERTA EVAPORADOR SUBENSAMBL  |
| 222  | WR01F03855 | INTERRUPTOR DE LUZ              |
| 236  | WR01L04760 | BISAGRA SEPARADOR ENS.          |
| 239  | WR01L09400 | BISAGRA INTERMEDIA ENS.         |
| 242  | WR01A01112 | ESPACIADOR BISAGRA              |
| 242  | WR01A01110 | ESPACIADOR BISAGRA              |
| 247  | WR01A01179 | SOPORTE NIVELADOR               |
| 248  | WR01A01150 | RONDANA BISAGRA                 |
| 260  | WR01F00099 | ASPA DE VENTILADOR ENS          |
| 263  | WR01L05041 | HUEVERA                         |
| 264  | WR01L05019 | REJILLA DE AIRE ENS.            |
| 269  | WR01A00239 | EMPAQUE VENTILADOR              |
| 272  | WR01F03787 | MOTOR VENTILADOR FZ.127V.S.360  |
| 272  | WR01F04375 | MOTOR VENTILADOR FZ.127V.S.360  |
| 273  | WR01L04888 | CUBIERTA MOTOR                  |
| 274  | WR01F02173 | ENS. MOTOR VENTILADOR           |
| 274  | WR01F03689 | ENS. MOTOR VENTILADOR           |
| 300  | WR01L05913 | REJILLA DE AIRE FF              |
| 308  | WR01A01277 | CLIP CONDENSADOR PLANO CH       |

| Guía | Refacción  | Descripción                    |
|------|------------|--------------------------------|
| 308  | WR03F04711 | CLIP CONDENSADOR PLANO CH      |
| 363  | WR01F03773 | EVAPORADOR ENS 220 V           |
| 367  | WR01F03795 | ARNES RESIST"Y"127V(400LT)COMP |
| 381  | WR01L04806 | CHAROLA DE DESHIELO            |
| 393  | WR01F02319 | TARJETA CONTROL                |
| 399  | WR01F02022 | CAJA CONTROL                   |
| 403  | WR01F02032 | CAJA PROTECTOR TARJETA         |
| 404  | WR01L05943 | SELLO DE ESPUMA                |
| 405  | WR01F02289 | SOCKET ENS.                    |
| 408  | WR01F03693 | FOCO LED 130V (1.5W)           |
| 408  | WR03F04631 | FOCO LED 130V (1.5W)           |
| 408  | WR01F03875 | FOCO LED 130V (1.5W)           |
| 415  | WR01F02129 | DUCTO SENS.OR AIRE             |
| 420  | WR01F03366 | ARNES TOMACORR.127V SIR.360    |
| 420  | WR01F04341 | ARNES TOMACORR.127V SIR.360    |
| 423  | WR01F02565 | ARNES CAJA CONTROL SIRIUS 360  |
| 429  | WR01F02073 | COMPRESOR                      |
| 429  | WR01F04294 | COMPRESOR                      |
| 430  | WR01F02546 | APEND.TUBO CARGA 400-510.115V  |
| 431  | WR01A01276 | APENDICE DE SERVICIO 85MM      |
| 431  | WR01F03641 | APENDICE DE SERVICIO 85MM      |
| 432  | WR01F01943 | PROTECTOR RELEVADOR            |
| 433  | WR01F02547 | TUBO APENDICE SUCCION 15'16'18 |
| 441  | WR01A01614 | CLIP 5SP 127V GLOBE CAPACITOR  |
| 441  | WR01A02393 | CLIP 5SP 127V GLOBE CAPACITOR  |
| 442  | WR01A01615 | CLIP CONECTOR                  |
| 444  | WR01F03902 | FILTRO DESHIDRATADOR           |
| 450  | WR01F02375 | VALVULA DREN                   |
| 453  | WR01F02190 | ENS. TUBO AUX.                 |
| 453  | WR03F04240 | ENS. TUBO AUX.                 |
| 453  | WR01F04761 | ENS.TUBO SERPENTIN 12'14 AC    |
| 459  | WR01F01964 | AMORTIGUADOR PARA CONDENSADOR  |
| 465  | WR01F02043 | CAPACITOR                      |
| 468  | WR01F01965 | AMORTIGUADOR                   |
| 474  | WR01A00191 | CLIP COMPRESOR                 |



## REFRIGERADOR RMS1540ZMXX1

| Guía | Refacción  | Descripción                    |
|------|------------|--------------------------------|
| 477  | WR01F02185 | SOPORTE COMPRESOR ENS          |
| 477  | WR01F02186 | SOPORTE COMPRESOR ENS          |
| 489  | WR01F02084 | CONDENSADOR PLANO              |
| 492  | WR01L04887 | CUBIERTA LUZ                   |
| 551  | WR01A01224 | TORNILLO 8-19                  |
| 552  | WR01A01286 | TORNILLO C/PHILL.(8-32X12.7MM. |
| 566  | WR01A01135 | PIEJA 8-18X3/4                 |
| 567  | WR01A01231 | TORNILLO TIPO AB(8-18*5/8)     |
| 573  | WR01L06256 | BOTON FABRICA DE HIELOS        |

BENITO JUÁREZ #1500 GPE ZITON, CD. GUADALUPE NUEVO LEÓN TEL: 8183377999 Y 49  
HORARIOS: LUNES A VIERNES 8:30 A 6:00 PM Y SÁBADOS DE 8:30 A 2:00 PM

[www.denek.com](http://www.denek.com)