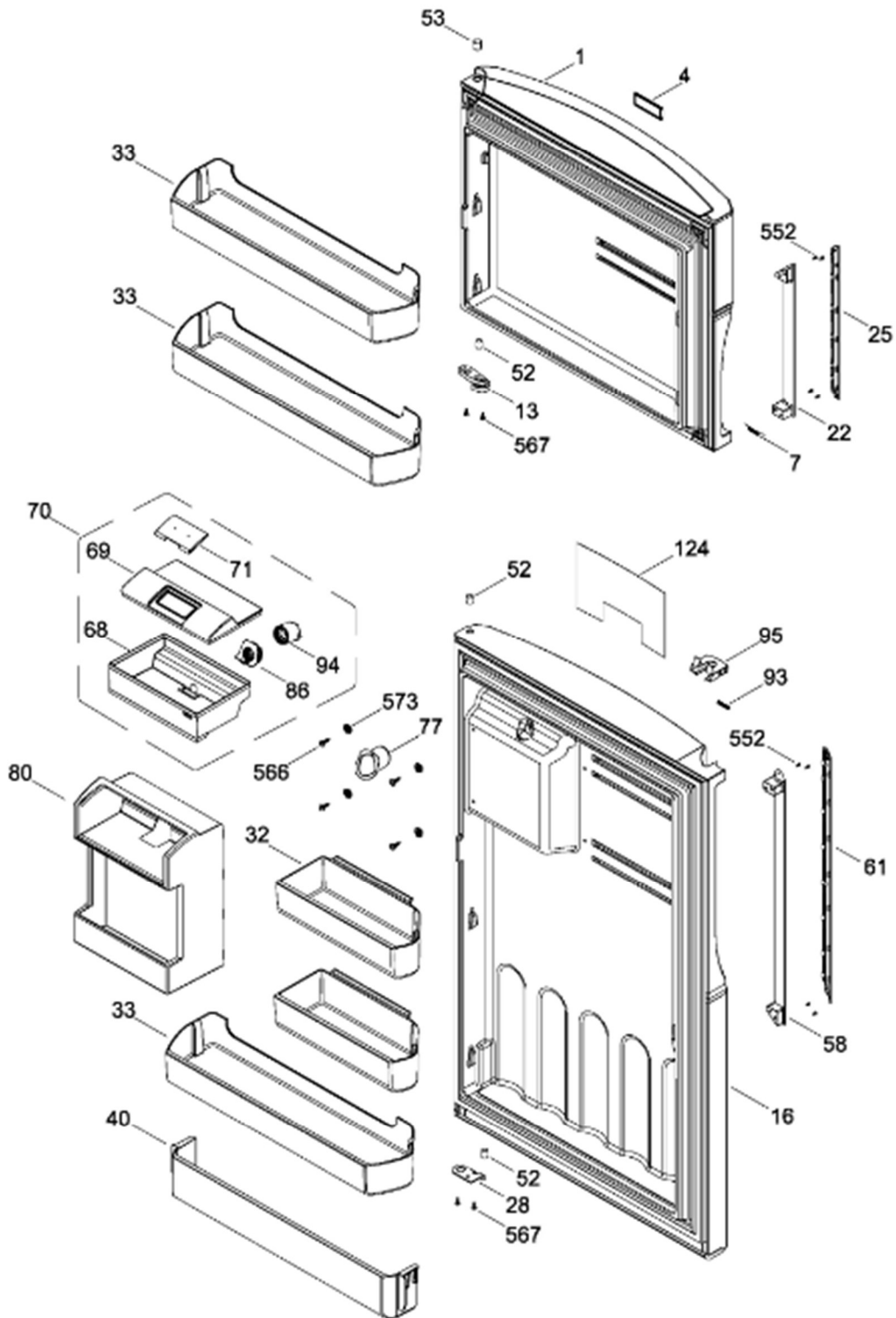


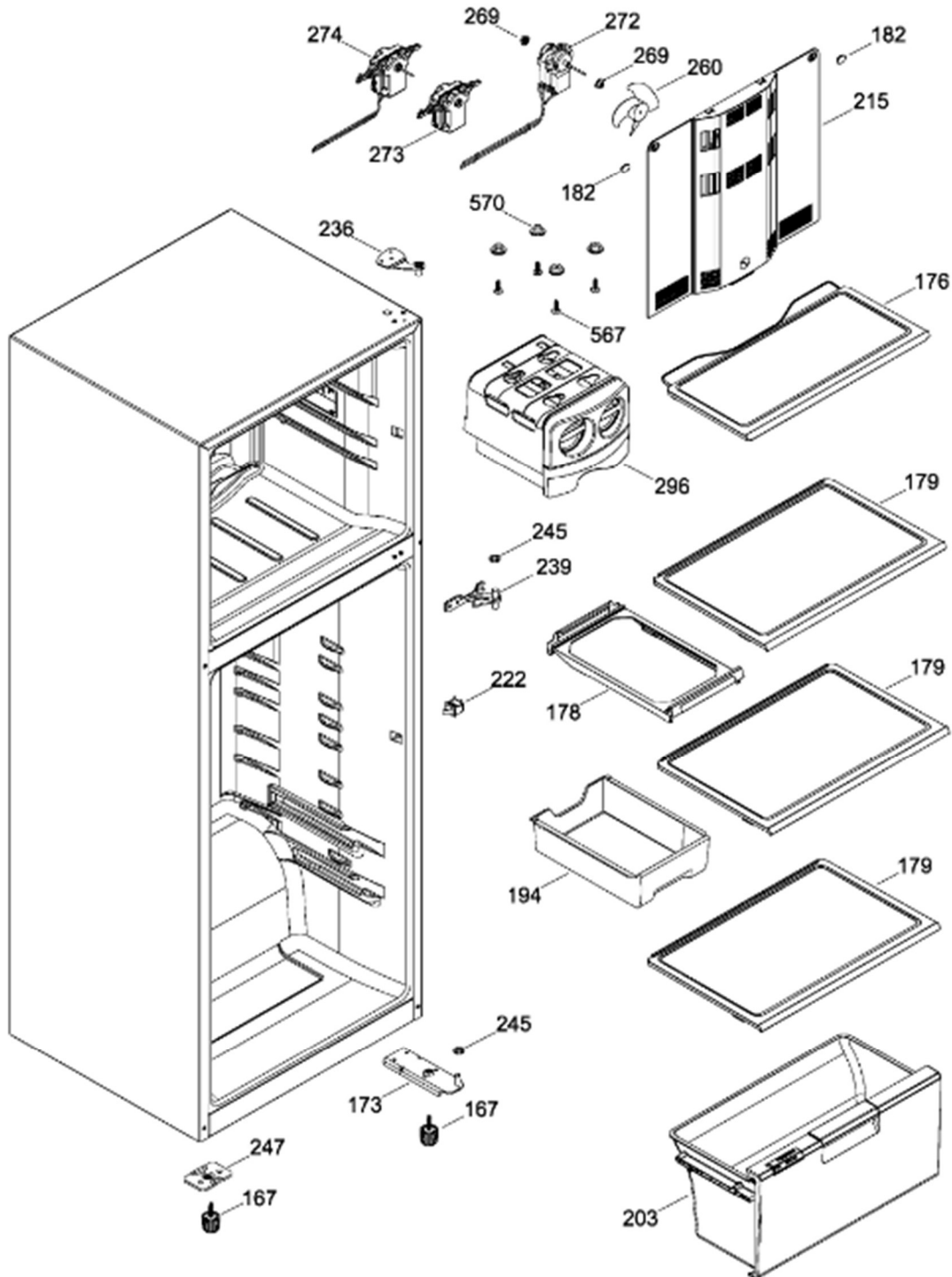
PUERTA

RMS1951AMXXC



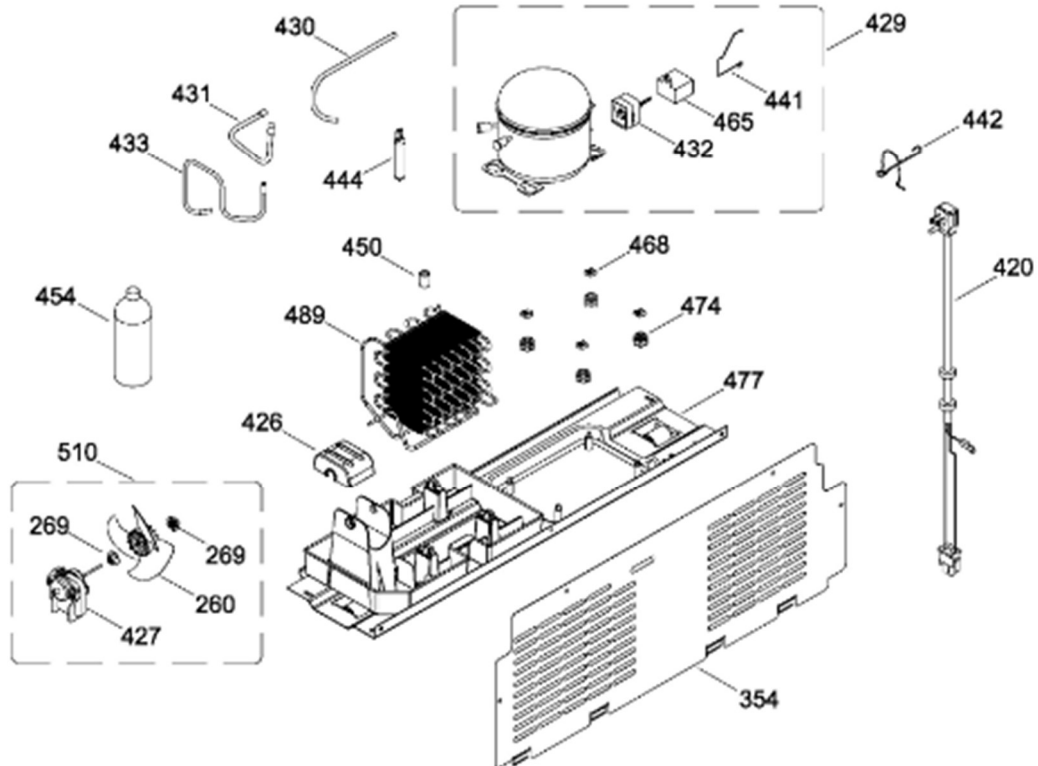
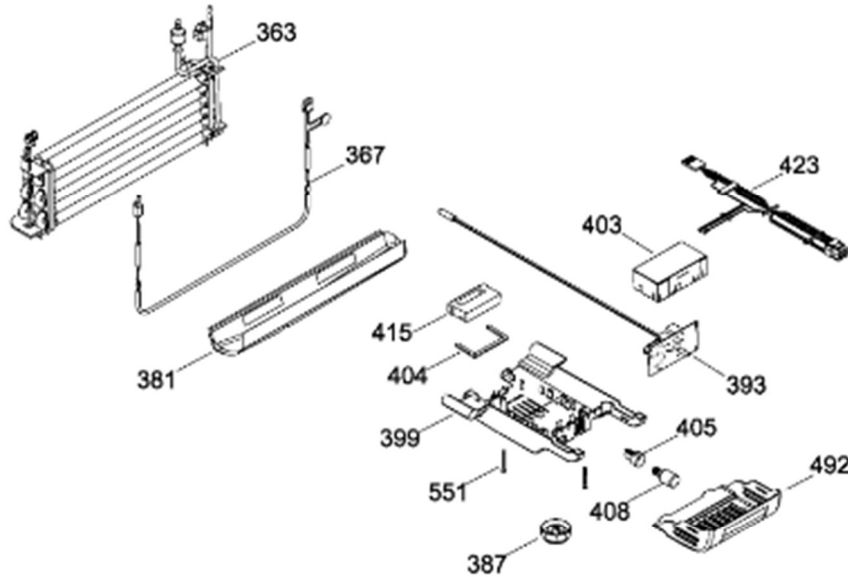
GABINETE

RMS1951AMXXC



UNIDAD REFRIGERANTE

RMS1951AMXXC



| Guía | Refacción | Descripción |
|------|------------|-----------------------------------|
| 1 | WR01L11890 | PUERTA ESPUMADA FZ 510 LAMINA SUS |
| 4 | WR01A01249 | PLACA EMBLEMA SIRIUS 360 |
| 4 | WR01A02267 | PLACA EMBLEMA SIRIUS 360 |
| 7 | WR01A01126 | ETIQUETA ESTRELLAS |
| 13 | WR01A01217 | TOPE PUERTA INTERMEDIO |
| 16 | WR01L11887 | PUERTA ESPUMADA FF 510 LAMINA SUS |
| 22 | WR01L09718 | CUERPO JALAD.FZ.SIRIUS D. GRAY |
| 25 | WR01L11070 | INSERTO JALADERA FZ SPARKLING |
| 25 | WR01L13385 | INSERTO JALADERA FZ SPARKLING |
| 28 | WR01A01273 | TOPE PUERTA REFRIGERADOR |
| 32 | WR01L04676 | ANAQUEL |
| 33 | WR01L04687 | ANAQUEL |
| 40 | WR01L04684 | ANAQUEL |
| 52 | WR01L02462 | BUJE BISAGRA |
| 53 | WR01L00340 | BUSHING HINGE |
| 58 | WR01L09719 | CUERPO JALAD.FF.SIRIUS D. GRAY |
| 61 | WR01L11071 | INSERTO JALADERA FF SPARKLING |
| 61 | WR01L13386 | INSERTO JALADERA FF SPARKLING |
| 68 | WR03F04529 | TANQUE DE AGUA |
| 69 | WR01L11000 | CUBIERTA DE TANQUE |
| 70 | WR03F04530 | ENS. TANQUE DE AGUA |
| 71 | WR03F04531 | CUBIERTA DE FILTRO |
| 77 | WR03F04532 | DUCTO TANQUE |
| 80 | WR03F04533 | ENS. PANELES |
| 86 | WR01L11001 | SELLO TANQUE DE AGUA |
| 93 | WR01A02113 | RESORTE ACTUADOR |
| 94 | WR01F02196 | ENSAMBLE VALVULA MODIFICADA |
| 95 | WR03F04534 | ACTUADOR DISPENSADOR |
| 124 | WR03F04535 | MEMBRANA DISP. |
| 167 | WR01A01225 | TORNILLO NIVELADOR |
| 167 | WR01A02469 | TORNILLO NIVELADOR |
| 173 | WR01A01275 | SOP.BIS.INF.ENS.PERNO REMACHADO |
| 176 | WR01L05130 | PARRILLA CONG. ENS. |
| 176 | WR01A02548 | PARRILLA CONG. ENS. |
| 178 | WR01F02253 | MARCO SOPORTE CAJON CARNES |

| Guía | Refacción | Descripción |
|------|------------|---------------------------------|
| 179 | WR01L05128 | PARRILLA REFR. ENS. |
| 182 | WR01A01201 | BOTON |
| 194 | WR01L04771 | CAJON CARNES |
| 203 | WR01L11143 | ENS. CAJON VEGETALES 500L |
| 215 | WR01L04933 | ENS. CUBIERTA EVAPORADOR |
| 222 | WR01F03855 | INTERRUPTOR DE LUZ |
| 236 | WR01L04760 | BISAGRA SEPARADOR ENS. |
| 239 | WR01L09400 | BISAGRA INTERMEDIA ENS. |
| 245 | WR01A01613 | ESPACIADOR PUERTA SIRIUS 360 |
| 247 | WR01A01179 | SOPORTE NIVELADOR |
| 260 | WR01F00099 | ASPA DE VENTILADOR ENS |
| 269 | WR01A00239 | EMPAQUE VENTILADOR |
| 272 | WR01F03787 | MOTOR VENTILADOR FZ.127V.S.360 |
| 272 | WR01F04375 | MOTOR VENTILADOR FZ.127V.S.360 |
| 273 | WR01L04888 | CUBIERTA MOTOR |
| 274 | WR01F03689 | ENS.MOTOR VENT.EVA SIRIUS 110V |
| 296 | WR01L04903 | DESM.HIELO"PRACTIHIELO |
| 354 | WR01L06006 | TAPA COMPRESOR |
| 363 | WR01F03772 | EVAPORADOR ENS 127V |
| 367 | WR01F03798 | ARNES RESIST"X"127V(510LT)COMP |
| 381 | WR01L04807 | CHAROLA DESHIELO |
| 387 | WR01L05143 | PERILLA CONTROL |
| 393 | WR03F04508 | TARJETA CONTROL SIRIUS 510 127v |
| 399 | WR01F02023 | CAJA CONTROL |
| 403 | WR01L06258 | CAJA PROTEC.TARJETA(X/Y)S/DISP |
| 404 | WR01L05943 | SELLO DE ESPUMA |
| 405 | WR01F02289 | SOCKET ENS. |
| 408 | WR03F04631 | FOCO LED 130V (1.5W) |
| 415 | WR01F02129 | DUCTO SENS.OR AIRE |
| 420 | WR01F03366 | ARNES TOMACORR.127V SIR.360 |
| 420 | WR01F04341 | ARNES TOMACORR.127V SIR.360 |
| 423 | WR01F02565 | ARNES CAJA CONTROL SIRIUS 360 |
| 426 | WR01A01105 | CLIP MOTOR COND. |
| 426 | WR01A01451 | CLIP MOTOR COND. |
| 427 | WR01F02262 | MOTOR VENTILADOR |

| Guía | Refacción | Descripción |
|------|------------|--------------------------------|
| 427 | WR01F04433 | MOTOR VENTILADOR |
| 429 | WR01F02160 | ENS. COMPRESOR ACEITE |
| 429 | WR03F04830 | ENS. COMPRESOR ACEITE |
| 430 | WR01F02546 | APEND.TUBO CARGA 400-510.115V |
| 431 | WR01A01276 | APENDICE DE SERVICIO 85MM |
| 431 | WR01F03641 | APENDICE DE SERVICIO 85MM |
| 432 | WR01F02376 | ACCS ELEC 5SP16B308RH |
| 433 | WR01F02547 | TUBO APENDICE SUCCION 15'16'18 |
| 441 | WR01A01614 | CLIP 5SP 127V GLOBE CAPACITOR |
| 441 | WR01A02393 | CLIP 5SP 127V GLOBE CAPACITOR |
| 442 | WR01A01615 | CLIP CONECTOR |
| 444 | WR01F03902 | FILTRO DESHIDRATADOR |
| 450 | WR01F02375 | VALVULA DREN |
| 454 | WW01A00356 | GAS 134 LATA 340 GRS |
| 454 | WG03F07229 | GAS 134 LATA 340 GRS |
| 465 | WR01F02043 | CAPACITOR |
| 468 | WR01F01965 | AMORTIGUADOR |
| 474 | WR01A00191 | CLIP COMPRESOR |
| 477 | WR01F02184 | ENS. SOPORTE COMPRESOR |
| 477 | WR01A02417 | ENS. SOPORTE COMPRESOR |
| 489 | WR01F02085 | CONDENS.ADOR MULTILAYER |
| 489 | WR01F04894 | CONDENS.ADOR MULTILAYER |
| 492 | WR01L04887 | CUBIERTA LUZ |
| 510 | WR01F02171 | MOTOR ASPA ENS. |
| 551 | WR01A01224 | TORNILLO 8-19 |
| 552 | WR01A01286 | TORNILLO C/PHILL.(8-32X12.7MM. |
| 566 | WR01A01135 | PI6JA 8-18X3/4 |
| 567 | WR01A01231 | TORNILLO TIPO AB(8-18*5/8) |
| 570 | WR01A01096 | BUJE |
| 570 | WR01A01096 | BUJE |
| 573 | WR01L06256 | BOTON FABRICA DE HIELOS |