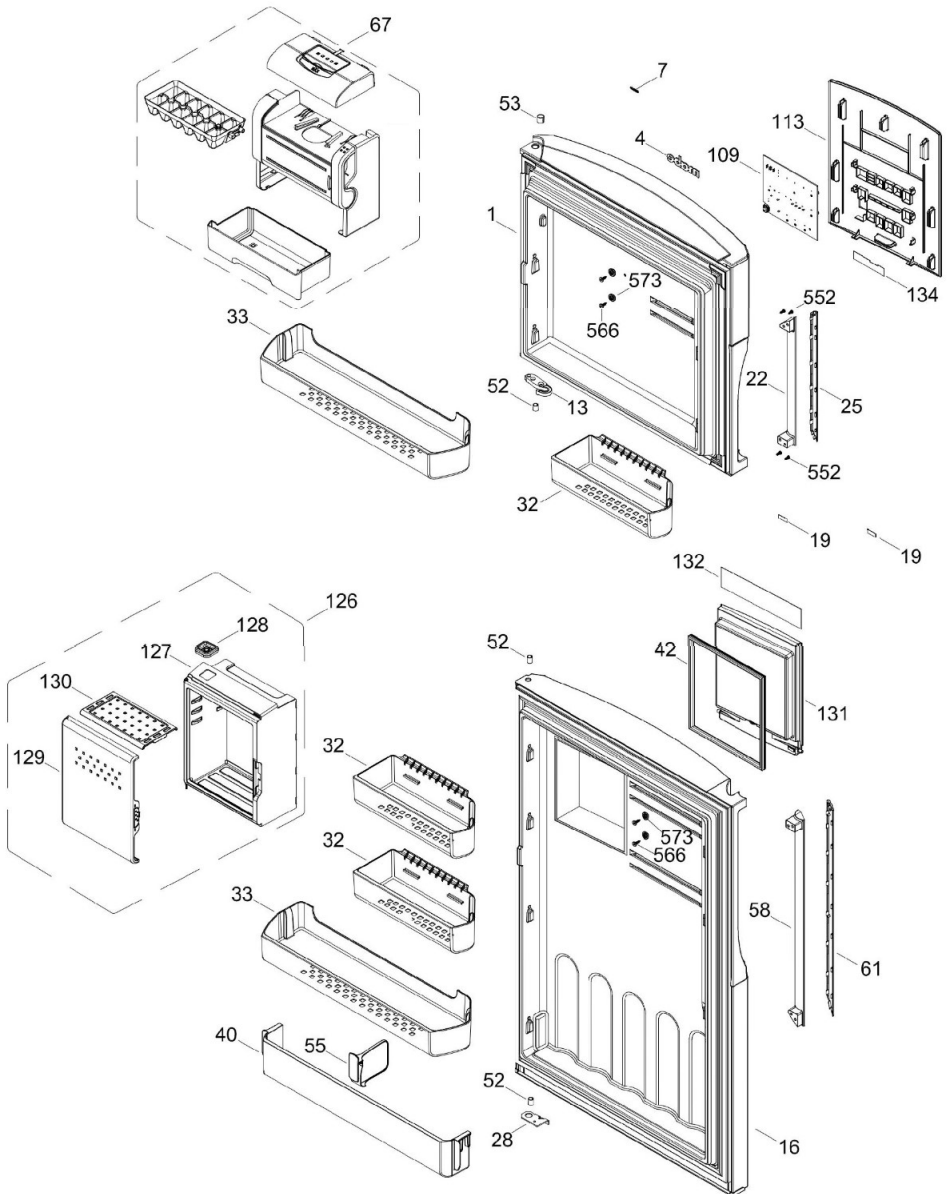


Refrigerador Mabe RMS1951ZCES0

PUERTA

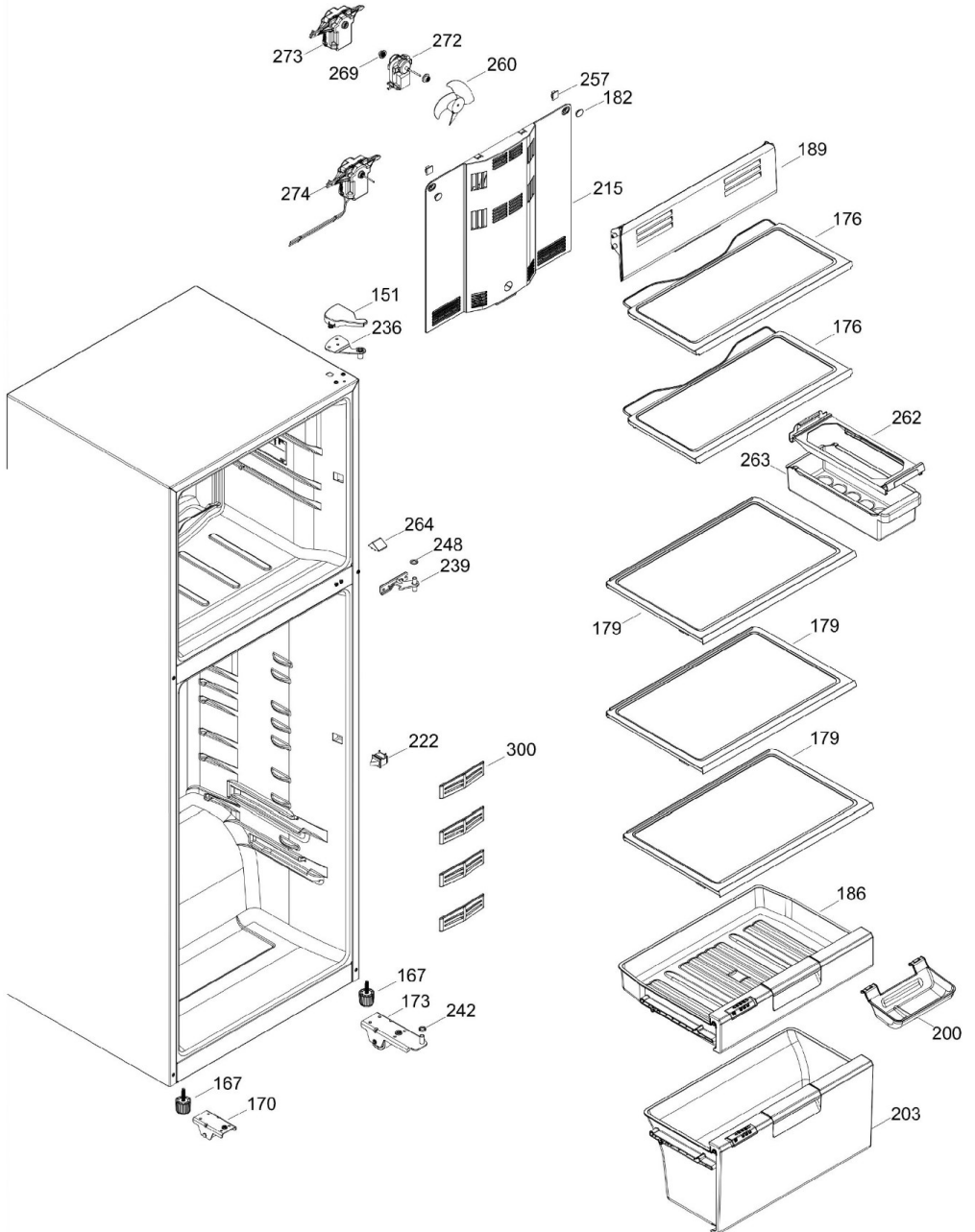
RMS1951ZCES0



Refrigerador Mabe RMS1951ZCES0

GABINETE

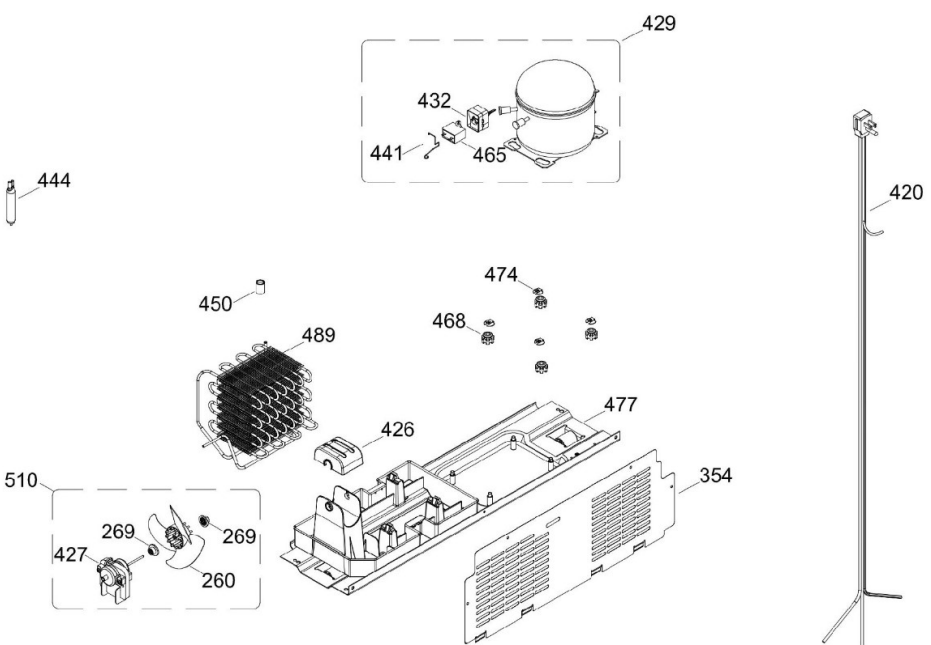
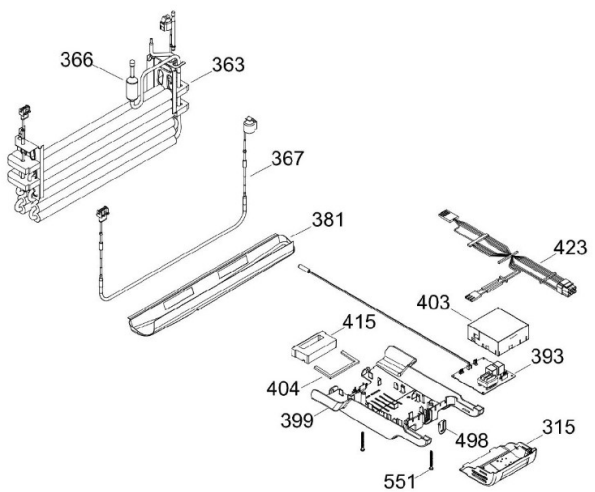
RMS1951ZCES0



Refrigerador Mabe RMS1951ZCES0

UNIDAD REFRIGERANTE

RMS1951ZCES0





Refrigerador Mabe RMS1951ZCES0

Guía	Componente	Descripción
1	225D6202G006	PUERTA CONG.
4	238C3975G001	LOGO MABE ASM
7	355B2270P001	ETIQUETA ESTRELLAS
13	355B1499P006	TOPE PUERTA INTERMEDIO
16	225D6203G006	PUERTA REFR.
19	355B2270P002	ETIQUETA ESTRELLAS
22	225D6219P002	CUERPO JALADERA CONG.
22	225D6219P012	CUERPO JALADERA CONG.
22	225D6219P013	CUERPO JALADERA CONG.
25	225D6220P003	INSERTO JALADERA CONG.
25	225D6220P009	INSERTO JALADERA CONG.
25	225D6220P010	INSERTO JALADERA CONG.
28	238C2106P001	TOPE PUERTA REFRIGERADOR
32	225D6142P001	ANAQUEL
33	225D6144P001	ANAQUEL
40	225D6146P001	ANAQUEL
42	225D6013P001	SELLO PUERTA FF ACC.EXT.
52	238C2207P001	BUJE BISA 1GRA
53	355B2134P001	BUSHING HINGE
55	238C4561P001	SEPARADOR BOTELLAS
58	225D6219P006	CUERPO JALADERA CONG.
58	225D6219P012	CUERPO JALADERA CONG.
58	225D6219P013	CUERPO JALADERA CONG.
61	225D6220P007	INSERTO JALADERA REFR.
61	225D9860G001	INSERTO JALADERA REFR.
61	225D6220P009	INSERTO JALADERA REFR.
61	225D6220P010	INSERTO JALADERA REFR.



Refrigerador Mabe RMS1951ZCES0

Guía	Componente	Descripción
67	225D5990G002	FABRICA HIELOS ENS.
109	225D6020G001	TARJETA DISPLAY
109	225D6020G002	TARJETA DISPLAY
113	238C4605G001	SOPORTE DISPLAY ENS.
126	225D6155G001	ENS. SMART STATION
127	225D6154G001	ENS. PANELES
128	238C4439G001	ENS. SELLO SILICON SS
129	238C4442G001	ENS. PUERTA SS
130	238C4444P001	PARRILLA SS
131	238C4606G001	ACCESO EXT. COMPLETO
132	238C4385P001	MASCARA INSERTO REFR.
134	238C2819P012	FOIL ALUMINIO
151	225D6256P003	TAPA BISAGRA DISPLAY
167	314B8640P010	TORNILLO NIVELADOR
170	200D3263G012	SOPORTE RUEDA ENS.
173	225D1775G005	SOPORTE BISAGRA
173	200D3283G009	SOPORTE BISAGRA
176	225D6049G002	PARRILLA CONG. ENS.
179	225D6046G002	PARRILLA REFR. ENS.
182	355B2012P001	BOTON
186	225D6054G002C	CAJON DELI ENS.
186	225D6054G002	CAJON DELI ENS.
186	225D6054G008	CAJON DELI ENS.
189	225D5904G002	ENFRIADOR EXPRESS
200	225D6447P001	BALCON DELICADOS
203	225D6052G002C	CAJON LEGUMBRES ENS.
203	225D6052G002	CAJON LEGUMBRES ENS.

Guía	Componente	Descripción
203	225D6052G011	CAJON LEGUMBRES ENS.
215	225D6465G002	ENS. CUBIERTA EVAPORADOR
222	314B8274P001	INTERRUPTOR FOCO
236	238C2735G006	BISAGRA SEPARADOR ENS.
239	355B1718G012	BISAGRA INTERMEDIA ENS.
239	355B3920G001	BISAGRA INTERMEDIA ENS.
242	238C1981P001	ESPACIADOR BISAGRA
242	238C1981P002	ESPACIADOR BISAGRA
248	203C2032P010	RONDANA BISAGRA
257	355B1485P001	CLIP ADHESIVO EVAP
260	197D3131G006	ASPA DE VENTILADOR ENS
262	225D6464P002	SOPORTE HUEVERA
263	238C4523P001	HUEVERA
264	355B3707G001	REJILLA DE AIRE ENS.
269	221C5143P001	EMPAQUE VENTILADOR
272	200D2940P016	MOTOR VENTILADOR
272	200D2940P025	MOTOR VENTILADOR
273	225D6193P001	CUBIERTA MOTOR
274	225D6184G003	ENS. MOTOR VENTILADOR
274	225D6184G001	ENS. MOTOR VENTILADOR
300	238C4459P001	REJILLA DE AIRE FF
315	225D6061G001	CUBIERTA LED ENS.
354	225D2317P004	TAPA COMPRESOR
363	225D6018G002	ENS. EVAPORADOR
366	238C1961G012	ACUMULADOR ENS.
366	238C4248P003	ACUMULADOR ENS.
367	225D6113G004	ENS. ARNES RESISTENCIA DESH

Guía	Componente	Descripción
367	225D7049G016	ENS. ARNES RESISTENCIA DESH
381	225D5671P002	CHAROLA DESHIELO
393	225D6423G001	TARJETA CONTROL
399	225D6217P002	CAJA CONTROL
403	225D6218P002	CAJA PROTECTOR TARJETA
404	355B3705P001	SELLO DE ESPUMA
415	238C4573P001	DUCTO SENS.OR AIRE
420	225D6117G001	ARNES TOMACORRIENTE ENS
420	225D6117G002	ARNES TOMACORRIENTE ENS
420	225D6117G007	ARNES TOMACORR.127V SIR.360
423	225D6115G006	ENS. ARNES CAJA CTRL COMP ALIM
423	225D7048G003	ENS. ARNES CAJA CTRL COMP ALIM
426	238C2142P001	CLIP MOTOR COND.
426	238C2142P002	CLIP MOTOR COND.
427	200D2940P023	MOTOR VENTILADOR
427	200D2940P032	MOTOR VENTILADOR
429	20505212499	COMPRESOR
432	200D5578P008	PROTECTOR RELAY 5SP16B317RH
432	200D5578P005	PROTECTOR RELAY 5SP16B317RH
441	355B2089P004	SUJETADOR CLIP 5SP
441	355B2089P010	SUJETADOR CLIP 5SP
444	221C5100P006	FILTRO DESHIDRATADOR
450	355B1473P001	VALVULA DREN
465	238C2606P003	CAPACITOR DE 12MFD
468	238C4369P001	AMORTIGUADOR
474	871516P006	CLIP COMPRESOR
477	200D2405G004	ENS. SOPORTE COMPRESOR



Refrigerador Mabe RMS1951ZCES0

Guía	Componente	Descripción
477	200D2405G005	ENS. SOPORTE COMPRESOR
489	200D3706P003	CONDENS.ADOR MULTILAYER
498	238C4558P001	TAPA CAJA CONTROL
510	355B1403G005	MOTOR ASPA ENS.
551	314B8355P001	TORNILLO 8-19
552	314B8114P001	TORNILLO C/PHILL.(8-32X12.7MM.
566	355B1714P001	PIEJA 8-18X3/4
573	355B3556P001	BOTON FABRICA DE HIELOS