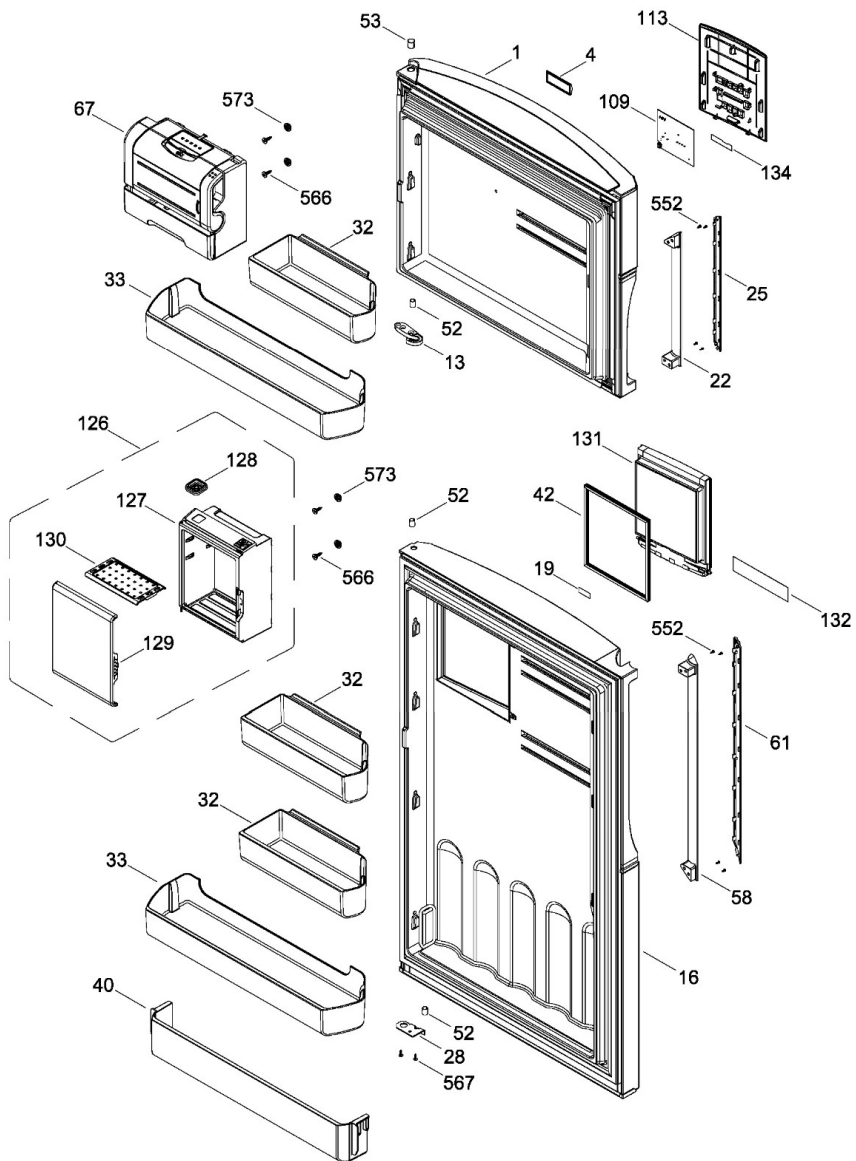


Refrigerador Mabe RMS1951ZCESA

PUERTA

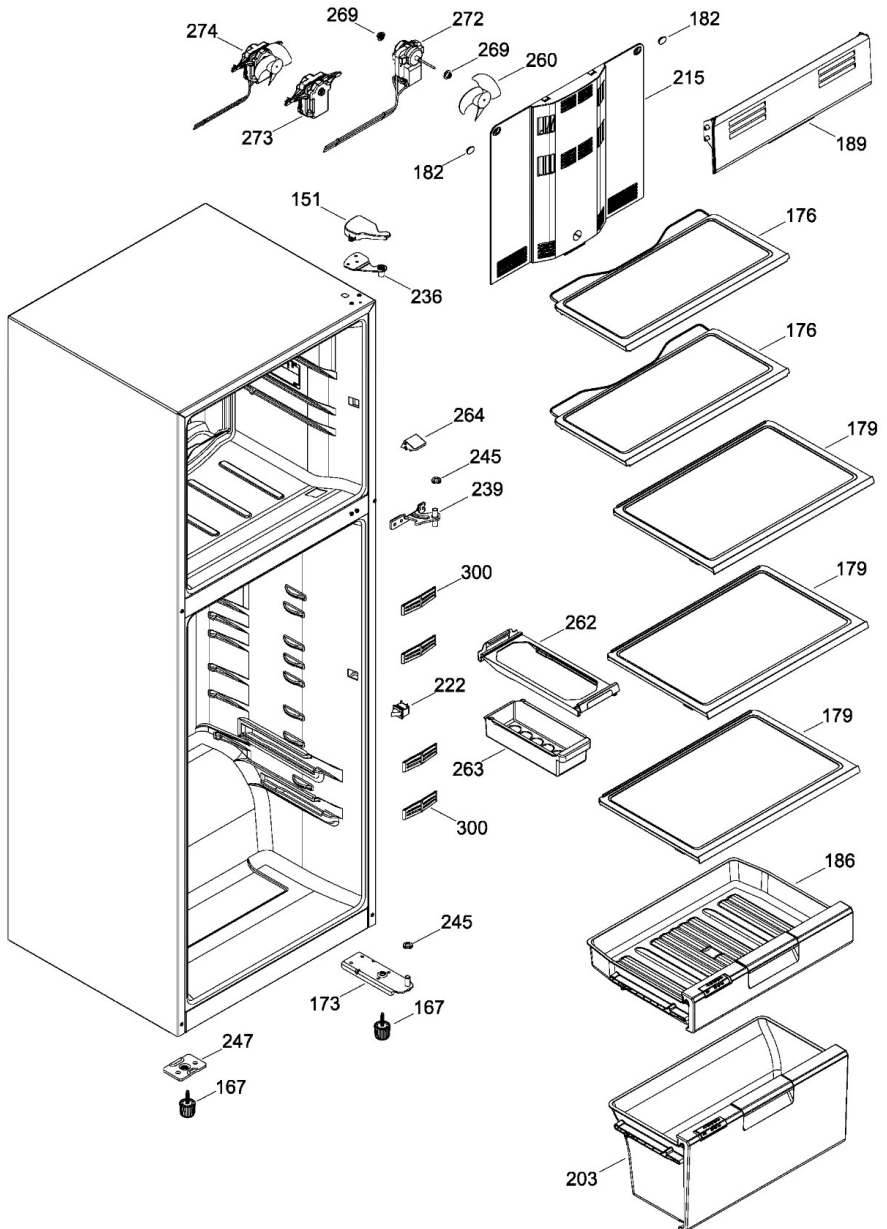
RMS1951ZCESA



Refrigerador Mabe RMS1951ZCESA

GABINETE

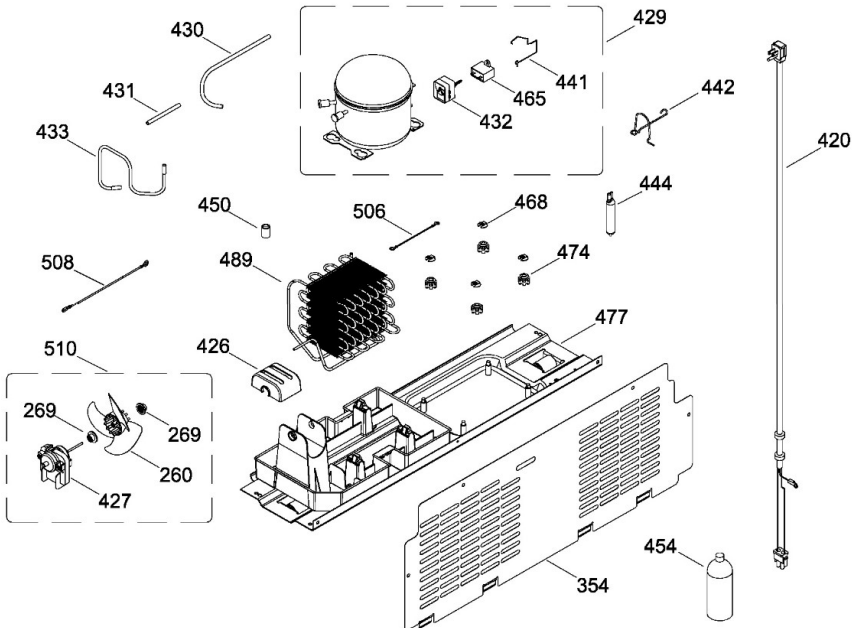
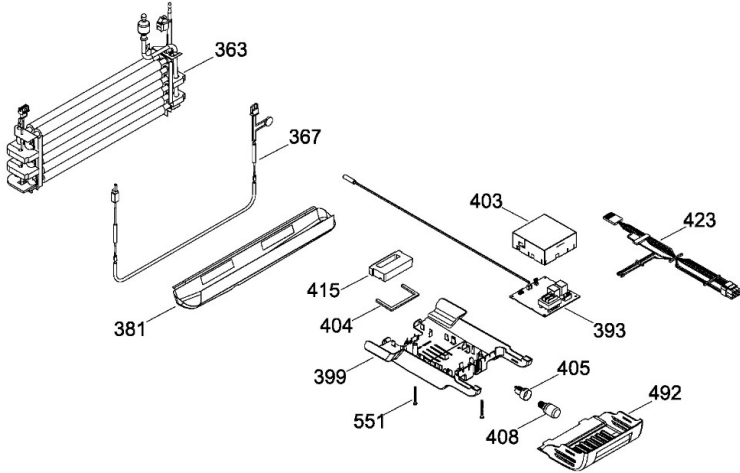
RMS1951ZCESA



Refrigerador Mabe RMS1951ZCESA

UNIDAD REFRIGERANTE

RMS1951ZCESA



Guía	Componente	Descripción
1	225D6202G034	PUERTA CONGELADOR CURVA(SILVER)
4	277B1234P002	PLACA EMBLEMA SIRIUS 360
13	355B1499P006	TOPE PUERTA INTERMEDIO
16	225D6203G033	PUERTA CONSERVADOR CURVA(SILVER)
19	355B2270P002	ETIQUETA ESTRELLAS
22	225D6219P002	CUERPO JALADERA CONG.
22	225D6219P012	CUERPO JALADERA CONG.
22	225D6219P013	CUERPO JALADERA CONG.
25	225D6220P009	INSERTO JALADERA FZ SPARKLING
28	238C2106P001	TOPE PUERTA REFRIGERADOR
32	225D6142P001	ANAQUEL
33	225D6144P001	ANAQUEL
40	225D6146P001	ANAQUEL
42	238C4713P001	SELLO AE
52	238C2207P001	BUJE BISA 1GRA
53	355B2134P001	BUSHING HINGE
58	225D6219P006	CUERPO JALADERA CONG.
58	225D6219P012	CUERPO JALADERA CONG.
58	225D6219P013	CUERPO JALADERA CONG.
61	225D6220P010	INSERTO JALADERA FF SPARKLING
67	225D5990G002	FABRICA HIELOS ENS.
109	225D6020G002	TARJETA DISPLAY SIRIUS
113	238C4605G001	SOPORTE DISPLAY ENS.
126	225D6155G001	ENS. SMART STATION
127	225D6154G001	ENS. PANELES
128	238C4439G001	ENS. SELLO SILICON SS
129	238C4442G001	ENS. PUERTA SS

Guía	Componente	Descripción
130	238C4444P001	PARRILLA SS
131	238C4606G001	ACCESO EXT. COMPLETO
132	238C4385P001	MASCARA INSERTO REFR.
134	238C2819P012	FOIL ALUMINIO
151	225D6256P003	TAPA BISAGRA DISPLAY
167	314B8640P010	TORNILLO NIVELADOR
173	200D3283G009	SOP.BIS.INF.ENS.PERNO REMACHADO
176	225D6049G002	PARRILLA CONG. ENS.
179	225D6046G002	PARRILLA REFR. ENS.
182	355B2012P001	BOTON
186	225D6054G008	CAJON DELI ENS.C/INSERTO(510LT
189	225D5904G002	ENFRIADOR EXPRESS
203	225D6052G011	ENS. CAJON VEGETALES 500L
215	225D6465G002	ENS. CUBIERTA EVAPORADOR
222	314B8274P003	INTERRUPTOR FOCO
236	238C2735G006	BISAGRA SEPARADOR ENS.
239	355B3920G001	BISAGRA INTERMEDIA ENS.
245	238C4764P001	ESPACIADOR PUERTA SIRIUS 360
247	238C3963P001	SOPORTE NIVELADOR
260	197D3131G006	ASPA DE VENTILADOR ENS
262	225D6464P002	SOPORTE HUEVERA
263	238C4523P001	HUEVERA
264	355B3707G001	REJILLA DE AIRE ENS.
269	221C5143P001	EMPAQUE VENTILADOR
272	200D2940P025	MOTOR VENTILADOR FZ.127V.S.360
273	225D6193P001	CUBIERTA MOTOR
274	225D6184G001	ENS.MOTOR VENT.EVA SIRIUS 110V

Guía	Componente	Descripción
300	238C4459P001	REJILLA DE AIRE FF
354	225D2317P004	TAPA COMPRESOR
363	225D6018G026	ENS.COMP.EVAP.127V 510LITROS
367	225D7049G016	ARNES RESIST"Y"127V(510LT)COMP
381	225D5671P002	CHAROLA DESHIELO
393	225D6423G001	TARJETA CONTROL
399	225D6217P002	CAJA CONTROL
403	225D6218P002	CAJA PROTECTOR TARJETA
404	355B3705P001	SELLO DE ESPUMA
405	238C2927P001	SOCKET ENS.
408	238C4973P003	FOCO LED 130V (1.5W)
415	238C4573P001	DUCTO SENS.OR AIRE
420	225D6117G002	ARNES TOMACORR.127V SIR.360
420	225D6117G007	ARNES TOMACORR.127V SIR.360
423	225D7048G001	ARNES CAJA CONTROL SIRIUS 360
426	238C2142P001	CLIP MOTOR COND.
426	238C2142P002	CLIP MOTOR COND.
427	200D2940P023	MOTOR VENTILADOR
427	200D2940P032	MOTOR VENTILADOR
429	200D3627G006	COMPCBE121L2GENS
430	355B1400P002	APEND.TUBO CARGA 400-510.115V
431	314B9038P004	APENDICE DE SERVICIO 85MM
432	200D5578P005	ACCS ELEC 5SP16B308RH
433	238C1761P001	TUBO APENDICE SUCCION 15'16'18
441	355B2089P010	CLIP 5SP 127V GLOBE CAPACITOR
442	355B2089P012	CLIP CONECTOR
444	221C5100P008	FILTRO DESHIDRATADOR



Refrigerador Mabe RMS1951ZCESA

Guía	Componente	Descripción
450	355B1473P001	VALVULA DREN
454	G134P002	GAS 134 LATA 340 GRS
454	022-021109-1	GAS 134 LATA 340 GRS
465	238C2606P002	CAPACITOR
468	238C4369P001	AMORTIGUADOR
474	871516P006	CLIP COMPRESOR
477	200D2405G004	ENS. SOPORTE COMPRESOR
477	200D2405G005	ENS. SOPORTE COMPRESOR
489	200D3706P003	CONDENS.ADOR MULTILAYER
492	225D6059P001	CUBIERTA LUZ
506	314B9082G001	ARNES DE TIERRA
508	314B9082G014	ARNES TIERRA POLAR
510	355B1403G005	MOTOR ASPA ENS.
551	314B8355P001	TORNILLO 8-19
552	314B8114P001	TORNILLO C/PHILL.(8-32X12.7MM.
566	355B1714P001	PI6JA 8-18X3/4
567	314B8238P001	TORNILLO TIPO AB(8-18*5/8)
573	355B3556P001	BOTON FABRICA DE HIELOS