

Distribuidor Autorizado

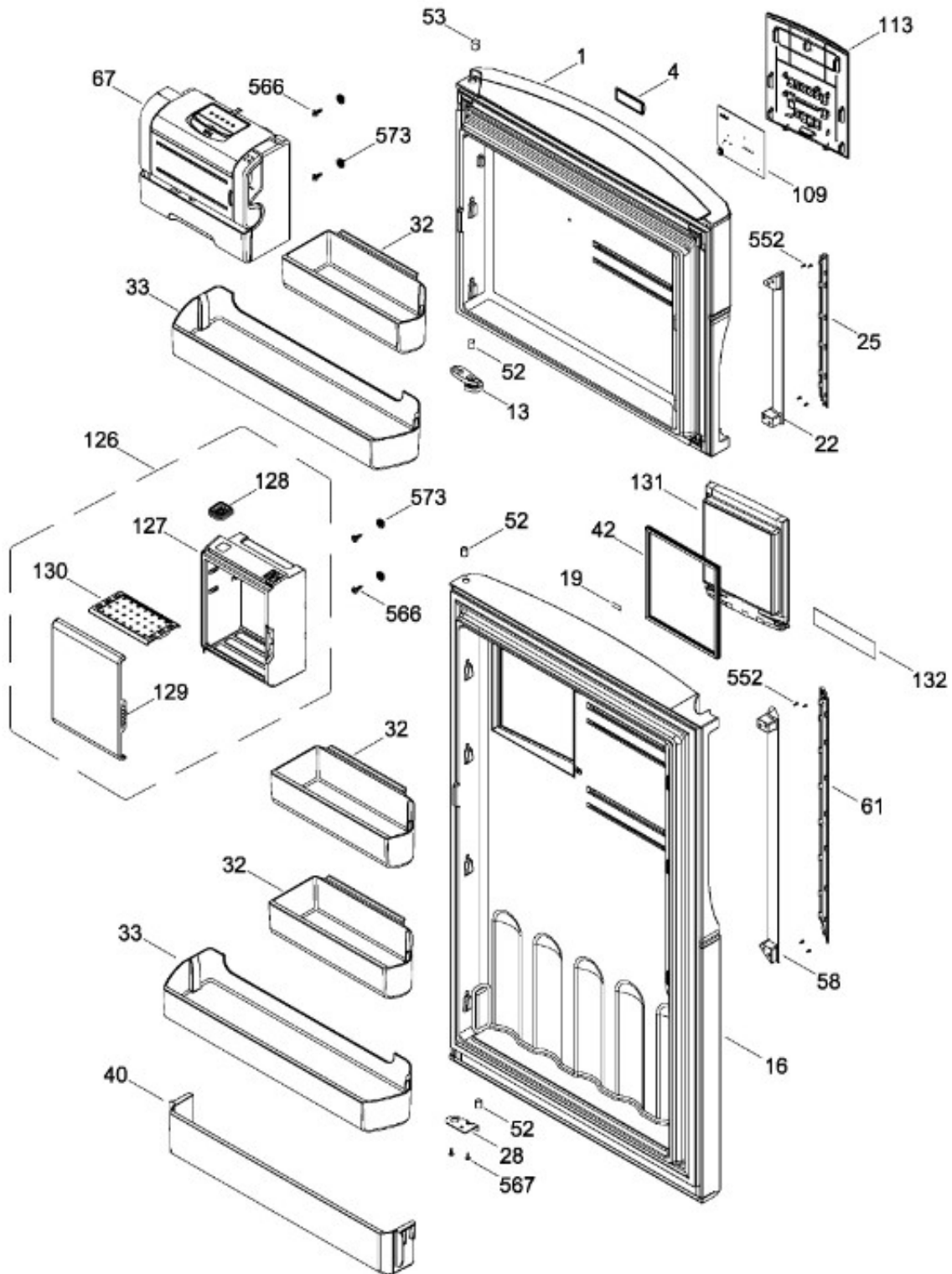
SurteRápido.com

Venta de Refacciones
Electrodomesticas

REFRIGERADOR RMS1951ZGRSA

PUERTA

RMS1951ZGRSA



Distribuidor Autorizado

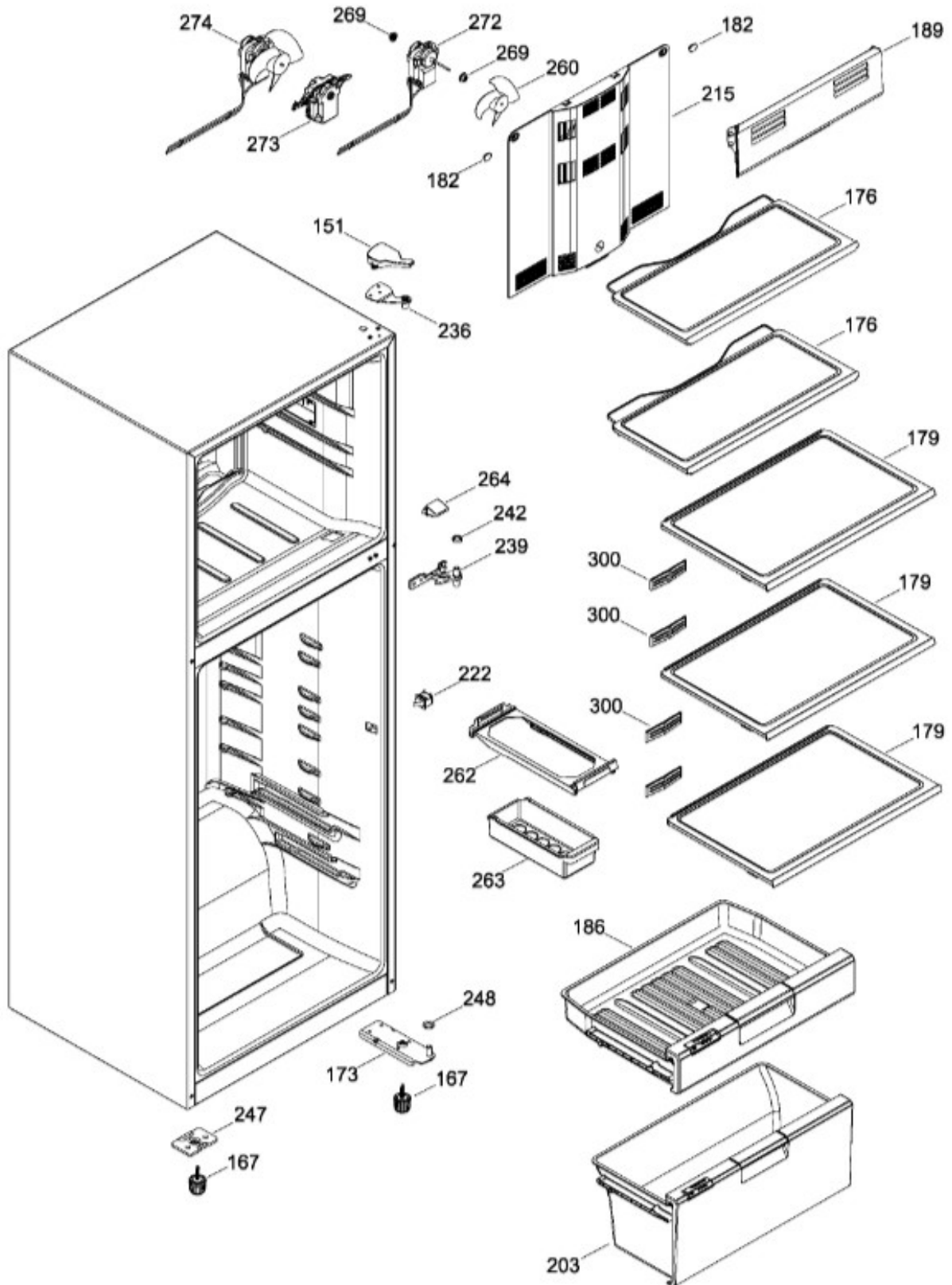
SurteRápido.com

Venta de Refacciones
Electrodomesticas

REFRIGERADOR RMS1951ZGRSA

GABINETE

RMS1951ZGRSA



Distribuidor Autorizado

SurteRápido.com

Venta de Refacciones
Electrodomesticas

REFRIGERADOR RMS1951ZGRSA

| Guía | Refacción | Descripción |
|------|------------|-------------------------------|
| 1 | WR01L05807 | PUERTA CONG. |
| 4 | WR01A01249 | PLACA EMBLEMA SIRIUS 360 |
| 13 | WR01A01217 | TOPE PUERTA INTERMEDIO |
| 16 | WR01L05588 | PUERTA REFR. |
| 19 | WR01A01125 | ETIQUETA ESTRELLAS |
| 22 | WR01L04898 | CUERPO JALADERA CONG. |
| 22 | WR01L09718 | CUERPO JALADERA CONG. |
| 22 | WR01L09719 | CUERPO JALADERA CONG. |
| 25 | WR01L05079 | INSERTO JALADERA CONG. |
| 25 | WR01L11070 | INSERTO JALADERA CONG. |
| 25 | WR01L11071 | INSERTO JALADERA CONG. |
| 25 | WR01L13386 | INSERTO JALADERA FF SPARKLING |
| 28 | WR01A01273 | TOPE PUERTA REFRIGERADOR |
| 32 | WR01L04676 | ANAQUEL |
| 33 | WR01L04687 | ANAQUEL |
| 40 | WR01L04684 | ANAQUEL |
| 42 | WR01L05942 | SELLO AE |
| 52 | WR01L02462 | BUJE BISAGRA |
| 53 | WR01L00340 | BUSHING HINGE |
| 58 | WR01L04896 | CUERPO JALADERA CONG. |
| 58 | WR01L09718 | CUERPO JALADERA CONG. |
| 58 | WR01L09719 | CUERPO JALADERA CONG. |
| 61 | WR01L11071 | INSERTO JALADERA FF SPARKLING |
| 61 | WR01L13386 | INSERTO JALADERA FF SPARKLING |
| 67 | WR01F02218 | FABRICA HIELOS ENS. |
| 109 | WR01F02537 | TARJETA DISPLAY SIRIUS |
| 113 | WR01F02187 | SOPORTE DISPLAY ENS. |
| 126 | WR01L05020 | ENS. SMART STATION |
| 127 | WR01L04955 | ENS. PANELES |
| 128 | WR01L04920 | ENS. SELLO SILICON SS |
| 129 | WR01L05018 | ENS. PUERTA SS |
| 130 | WR01L05133 | PARRILLA SS |
| 131 | WR01L04921 | ACCESO EXT. COMPLETO |
| 132 | WR01F02251 | MASCARA INSERTO REFR. |
| 134 | WR01F02235 | FOIL ALUMINIO |

Distribuidor Autorizado

SurteRápido.com

Venta de Refacciones
Electrodomesticas

REFRIGERADOR RMS1951ZGRSA

| Guía | Refacción | Descripción |
|------|------------|---------------------------------|
| 151 | WR01L05964 | TAPA BISAGRA DISPLAY |
| 167 | WR01A01225 | TORNILLO NIVELADOR |
| 167 | WR01A02469 | TORNILLO NIVELADOR |
| 173 | WR01A01275 | SOP.BIS.INF.ENS.PERNO REMACHADO |
| 176 | WR01L05130 | PARRILLA CONG. ENS. |
| 179 | WR01L05128 | PARRILLA REFR. ENS. |
| 182 | WR01A01201 | BOTON |
| 186 | WR01L09369 | CAJON DELI ENS |
| 186 | WR01L11144 | CAJON DELI ENS |
| 189 | WR01F02134 | ENFRIADOR EXPRESS |
| 203 | WR01L09368 | CAJON LEGUMBRES ENS |
| 203 | WR01L11143 | CAJON LEGUMBRES ENS |
| 215 | WR01L04933 | ENS. CUBIERTA EVAPORADOR |
| 222 | WR01F03855 | INTERRUPTOR DE LUZ |
| 236 | WR01L04760 | BISAGRA SEPARADOR ENS. |
| 239 | WR01L09400 | BISAGRA INTERMEDIA ENS. |
| 242 | WR01A01112 | ESPACIADOR BISAGRA |
| 242 | WR01A01110 | ESPACIADOR BISAGRA |
| 247 | WR01A01179 | SOPORTE NIVELADOR |
| 248 | WR01A01150 | RONDANA BISAGRA |
| 260 | WR01F00099 | ASPA DE VENTILADOR ENS |
| 262 | WR01A01177 | SOPORTE HUEVERA |
| 263 | WR01L05041 | HUEVERA |
| 264 | WR01L05019 | REJILLA DE AIRE ENS. |
| 269 | WR01A00239 | EMPAQUE VENTILADOR |
| 272 | WR01F02264 | MOTOR VENTILADOR |
| 272 | WR01F03788 | MOTOR VENTILADOR |
| 273 | WR01L04888 | CUBIERTA MOTOR |
| 274 | WR01F02174 | MOTOR EVAPORADOR ENS |
| 300 | WR01L05913 | REJILLA DE AIRE FF |
| 354 | WR01L06006 | TAPA COMPRESOR |
| 363 | WR01F03864 | EVAPORADOR ENS 220V |
| 367 | WR01F01988 | ENS. ARNES RESISTENCIA DESH |
| 381 | WR01L04807 | CHAROLA DESHIELO |
| 393 | WR01F02314 | TARJETA CONTROL TEMP. |
| 399 | WR01F02022 | CAJA CONTROL |
| 403 | WR01F02032 | CAJA PROTECTOR TARJETA |

Distribuidor Autorizado

SurteRápido.com

Venta de Refacciones
Electrodomesticas

REFRIGERADOR RMS1951ZGRSA

| Guía | Refacción | Descripción |
|------|------------|--------------------------------|
| 404 | WR01L05943 | SELLO DE ESPUMA |
| 415 | WR01F02129 | DUCTO SENS.OR AIRE |
| 420 | WR03F04759 | ARNES TOMACORRIENTE ENS |
| 423 | WR01F01975 | ENS. ARNES CAJA CTRL COMP ALIM |
| 423 | WR01F03791 | ENS. ARNES CAJA CTRL COMP ALIM |
| 426 | WR01A01105 | CLIP MOTOR COND. |
| 426 | WR01A01451 | CLIP MOTOR COND. |
| 427 | WR01F02263 | MOTOR VENTILADOR |
| 429 | WR01F02159 | ENS. COMPRESOR ACEITE |
| 430 | WR01F02538 | APENDICE DE SERVICIO COMPRESOR |
| 430 | WR01F02546 | APENDICE DE SERVICIO COMPRESOR |
| 431 | WR01A01276 | APENDICE DE SERVICIO 85MM |
| 431 | WR01F03641 | APENDICE DE SERVICIO 85MM |
| 432 | WR01F01946 | PROTECTOR RELEVADOR |
| 433 | WR01F02539 | TUBO APEND.SUCC.16 18 |
| 441 | WR01A01101 | SUJETADOR CLIP 5SP |
| 444 | WR01F03902 | FILTRO DESHIDRATADOR |
| 450 | WR01F02375 | VALVULA DREN |
| 453 | WR01F02001 | ENS. TUBO AUXILIAR |
| 454 | WW01A00356 | GAS 134 LATA 340 GRS |
| 454 | WG03F07229 | GAS 134 LATA 340 GRS |
| 468 | WR01F01965 | AMORTIGUADOR |
| 474 | WR01A00191 | CLIP COMPRESOR |
| 477 | WR01F02183 | ENS. SOPORTE COMPRESOR |
| 477 | WR01A02418 | ENS. SOPORTE COMPRESOR |
| 489 | WR01F02077 | CONDENS.ADOR MULTILAYER |
| 492 | WR01L04886 | CUBIERTA LED ENS. |
| 498 | WR01L05985 | TAPA CAJA CONTROL |
| 506 | WR03F04831 | ARNES DE TIERRA |
| 508 | WR03F04760 | ARNES TIERRA POLAR |
| 510 | WR01F02170 | MOTOR ASPA ENS. |
| 551 | WR01A01224 | TORNILLO 8-19 |
| 552 | WR01A01286 | TORNILLO C/PHILL.(8-32X12.7MM. |
| 566 | WR01A01135 | PI6JA 8-18X3/4 |
| 567 | WR01A01231 | TORNILLO TIPO AB(8-18*5/8) |
| 573 | WR01L06256 | BOTON FABRICA DE HIELOS |
| 933 | WR01A00384 | MORDAZA CABLE |