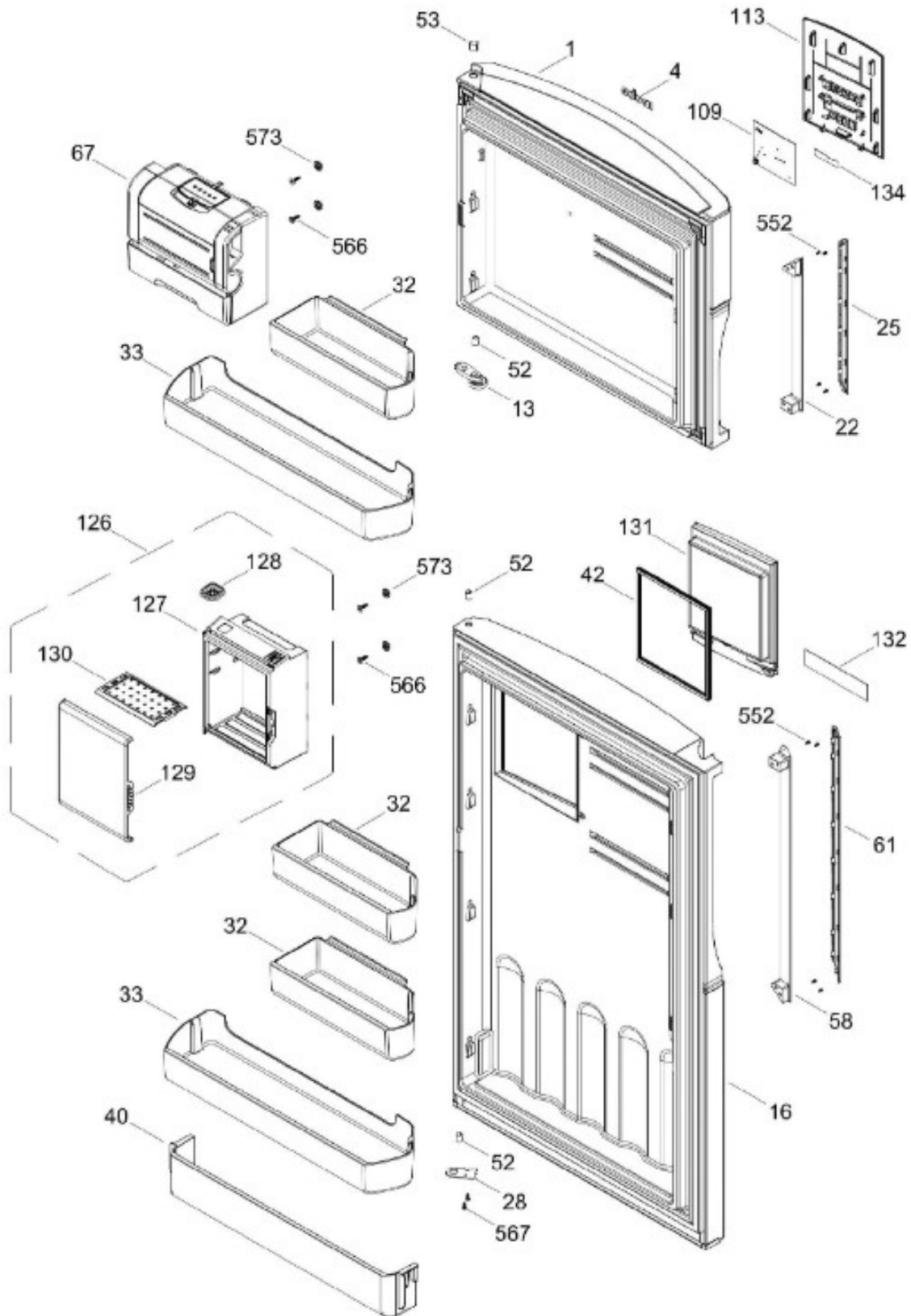


Distribuidor Autorizado

SurteRápido.com

Venta de Refacciones  
Electrodomesticas

# REFRIGERADOR RMS1951ZMXPA

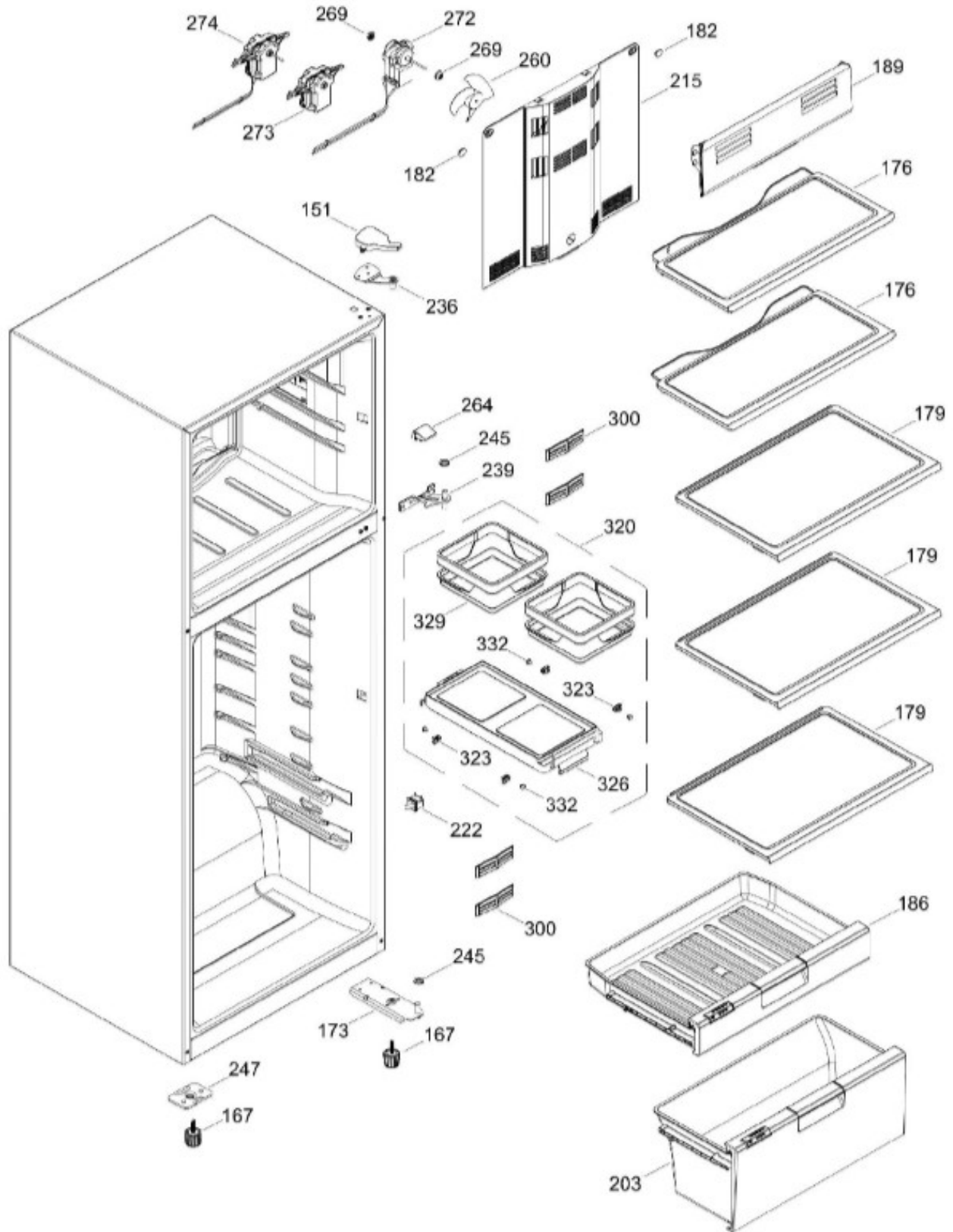


Distribuidor Autorizado

SurteRápido.com

Venta de Refacciones  
Electrodomesticas

# REFRIGERADOR RMS1951ZMXPA



Distribuidor Autorizado

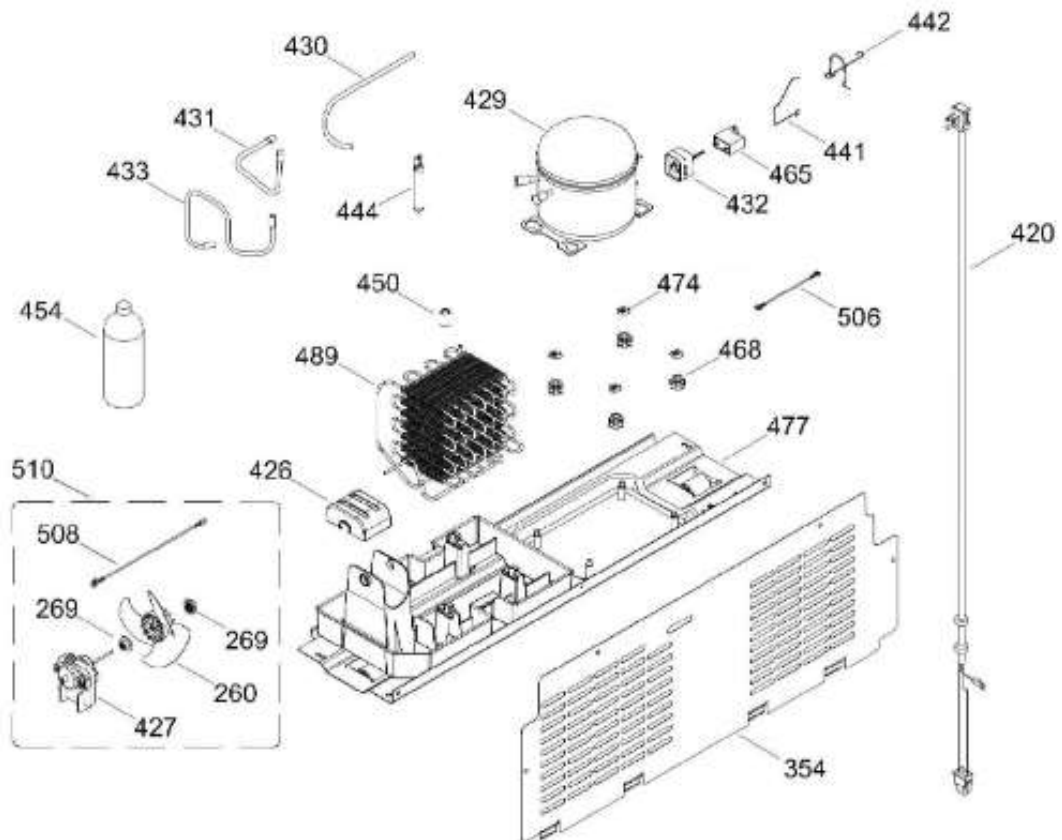
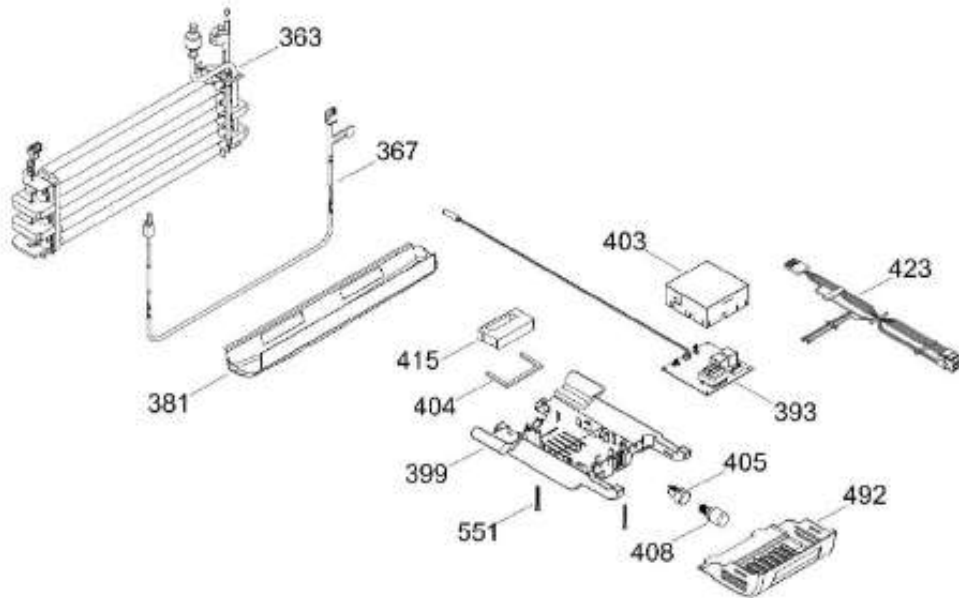
SurteRápido.com

Venta de Refacciones  
Electrodomesticas

# REFRIGERADOR RMS1951ZMXPA

UNIDAD REFRIGERANTE

RMS1951ZMXPA



Distribuidor Autorizado

**SurteRápido.com**

Venta de Refacciones  
Electrodomesticas

# REFRIGERADOR RMS1951ZMXPA

| Guía | Refacción  | Descripción                      |
|------|------------|----------------------------------|
| 1    | WR01L13099 | ENS. PUERTA ESPUMADA CONG.       |
| 4    | WR01A02267 | PLACA EMBLEMA MABE               |
| 13   | WR01A01217 | TOPE PUERTA INTERMEDIO           |
| 16   | WR01L13101 | ENS. PUERTA ESPUMADA REFR.       |
| 22   | WR01L13142 | CUERPO JALAD.FZ.SOFTTOUCH.SIRIUS |
| 22   | WR01L13161 | CUERPO JALAD.FZ.SOFTTOUCH.SIRIUS |
| 25   | WR01L13144 | INSERTO JALADERA FZ SOFTTOUCH    |
| 25   | WR01L13163 | INSERTO JALADERA FZ SOFTTOUCH    |
| 28   | WR01A01273 | TOPE PUERTA REFRIGERADOR         |
| 32   | WR01L04676 | ANAQUEL                          |
| 33   | WR01L04687 | ANAQUEL                          |
| 40   | WR01L04684 | ANAQUEL                          |
| 42   | WR01L05942 | SELLO AE                         |
| 52   | WR01L02462 | BUJE BISAGRA                     |
| 53   | WR01L00340 | BUSHING HINGE                    |
| 58   | WR01L13143 | CUERPO JALAD.FF.SOFTTOUCH.SIRIUS |
| 58   | WR01L13162 | CUERPO JALAD.FF.SOFTTOUCH.SIRIUS |
| 61   | WR01L13145 | INSERTO JALADERA FF SOFTTOUCH    |
| 61   | WR01L13164 | INSERTO JALADERA FF SOFTTOUCH    |
| 67   | WR01F02218 | FABRICA HIELOS ENS.              |
| 109  | WR01F02537 | TARJETA DISPLAY SIRIUS           |
| 113  | WR01A02330 | ENS. SOPORTE Y MASCARA           |
| 126  | WR01L05020 | ENS. SMART STATION               |
| 127  | WR01L04955 | ENS. PANELES                     |
| 128  | WR01L04920 | ENS. SELLO SILICON SS            |
| 129  | WR01L05018 | ENS. PUERTA SS                   |
| 130  | WR01L05133 | PARRILLA SS                      |
| 131  | WR01L13146 | ENS. ACCESO EXTERNO COMPLETO     |
| 132  | WR01L13136 | MASCARA INSERTO FF AE            |
| 134  | WR01F02235 | FOIL ALUMINIO                    |
| 151  | WR01L05964 | TAPA BISAGRA DISPLAY             |
| 167  | WR01A01225 | TORNILLO NIVELADOR               |
| 167  | WR01A02469 | TORNILLO NIVELADOR               |
| 173  | WR01A01275 | SOP.BIS.INF.ENS.PERNO REMACHADO  |
| 176  | WR01L05130 | PARRILLA CONG. ENS.              |

Distribuidor Autorizado

**SurteRápido.com**

Venta de Refacciones  
Electrodomesticas

# REFRIGERADOR RMS1951ZMXPA

| Guía | Refacción  | Descripción                       |
|------|------------|-----------------------------------|
| 179  | WR01L05128 | PARRILLA REFR. ENS.               |
| 182  | WR01A01201 | BOTON                             |
| 186  | WR01L11144 | CAJON DELI ENS.C/INSERTO(510LT    |
| 189  | WR01F02134 | ENFRIADOR EXPRESS                 |
| 203  | WR01L11143 | ENS. CAJON VEGETALES 500L         |
| 215  | WR01L04933 | ENS. CUBIERTA EVAPORADOR          |
| 222  | WR01F03855 | INTERRUPTOR DE LUZ                |
| 236  | WR01L04760 | BISAGRA SEPARADOR ENS.            |
| 239  | WR01L09400 | BISAGRA INTERMEDIA ENS.           |
| 245  | WR01A01613 | ESPACIADOR PUERTA SIRIUS 360      |
| 247  | WR01A01179 | SOPORTE NIVELADOR                 |
| 260  | WR01F00099 | ASPA DE VENTILADOR ENS            |
| 264  | WR01L05019 | REJILLA DE AIRE ENS.              |
| 269  | WR01A00239 | EMPAQUE VENTILADOR                |
| 272  | WR01F03787 | MOTOR VENTILADOR FZ.127V.S.360    |
| 273  | WR01L04888 | CUBIERTA MOTOR                    |
| 274  | WR01F03689 | ENS.MOTOR VENT.EVA SIRIUS 110V    |
| 300  | WR01L05913 | REJILLA DE AIRE FF                |
| 320  | WR01L11007 | ENS. ESTACION DE ACCESO RAPIDO    |
| 323  | WR01A02110 | BUJE                              |
| 326  | WR01L11008 | ENS. BASE DE ESTACION ACC. RAPIDO |
| 329  | WR01L11009 | ENS. CAJA                         |
| 332  | WR01A02109 | TOPE MANGUETE VRT                 |
| 354  | WR01L06006 | TAPA COMPRESOR                    |
| 363  | WR01F03775 | ENS.COMP.EVAP.127V 510LITROS      |
| 367  | WR01F03797 | ARNES RESIST"Y"127V(510LT)COMP    |
| 381  | WR01L04807 | CHAROLA DESHIELO                  |
| 393  | WR01F02320 | TARJETA CONTROL                   |
| 399  | WR01F02022 | CAJA CONTROL                      |
| 403  | WR01F02032 | CAJA PROTECTOR TARJETA            |
| 404  | WR01L05943 | SELLO DE ESPUMA                   |
| 405  | WR01F02289 | SOCKET ENS.                       |
| 408  | WR03F04631 | FOCO LED 130V (1.5W)              |
| 408  | WR01F03875 | FOCO LED 130V (1.5W)              |
| 415  | WR01F02129 | DUCTO SENS.OR AIRE                |

Distribuidor Autorizado

**SurteRápido.com**

Venta de Refacciones  
Electrodomesticas

# REFRIGERADOR RMS1951ZMXPA

| Guía | Refacción  | Descripción                    |
|------|------------|--------------------------------|
| 420  | WR01F03366 | ARNES TOMACORR.127V SIR.360    |
| 420  | WR01F04341 | ARNES TOMACORR.127V SIR.360    |
| 423  | WR01F02565 | ARNES CAJA CONTROL SIRIUS 360  |
| 426  | WR01A01451 | CLIP MOTOR CONDENSADOR ROHS    |
| 427  | WR01F02262 | MOTOR VENTILADOR               |
| 427  | WR01F04433 | MOTOR VENTILADOR               |
| 429  | WR01F02160 | ENS. COMPRESOR ACEITE          |
| 429  | WR03F04709 | ENS. COMPRESOR ACEITE          |
| 430  | WR01F02546 | APEND.TUBO CARGA 400-510.115V  |
| 431  | WR01A01276 | APENDICE DE SERVICIO 85MM      |
| 431  | WR01F03641 | APENDICE DE SERVICIO 85MM      |
| 432  | WR01F02376 | ACCS ELEC 5SP16B308RH          |
| 433  | WR01F02547 | TUBO APENDICE SUCCION 15'16'18 |
| 441  | WR01A01614 | CLIP 5SP 127V GLOBE CAPACITOR  |
| 441  | WR01A02393 | CLIP 5SP 127V GLOBE CAPACITOR  |
| 442  | WR01A01615 | CLIP CONECTOR                  |
| 444  | WR01F03902 | FILTRO DESHIDRATADOR           |
| 450  | WR01F02375 | VALVULA DREN                   |
| 454  | WW01A00356 | GAS 134 LATA 340 GRS           |
| 454  | WG03F07229 | GAS 134 LATA 340 GRS           |
| 465  | WR01F02043 | CAPACITOR                      |
| 468  | WR01F01965 | AMORTIGUADOR                   |
| 474  | WR01A00191 | CLIP COMPRESOR                 |
| 477  | WR01F02184 | ENS. SOPORTE COMPRESOR         |
| 477  | WR01A02417 | ENS. SOPORTE COMPRESOR         |
| 489  | WR01F02085 | CONDENS.ADOR MULTILAYER        |
| 492  | WR01L04887 | CUBIERTA LUZ                   |
| 506  | WR03F04831 | ARNES DE TIERRA                |
| 508  | WR03F04760 | ARNES TIERRA POLAR             |
| 510  | WR01F02171 | MOTOR ASPA ENS.                |
| 551  | WR01A01224 | TORNILLO 8-19                  |
| 552  | WR01A01286 | TORNILLO C/PHILL.(8-32X12.7MM. |
| 566  | WR01A01135 | PI6JA 8-18X3/4                 |
| 567  | WR01A01231 | TORNILLO TIPO AB(8-18*5/8)     |
| 573  | WR01L06256 | BOTON FABRICA DE HIELOS        |