

Distribuidor Autorizado

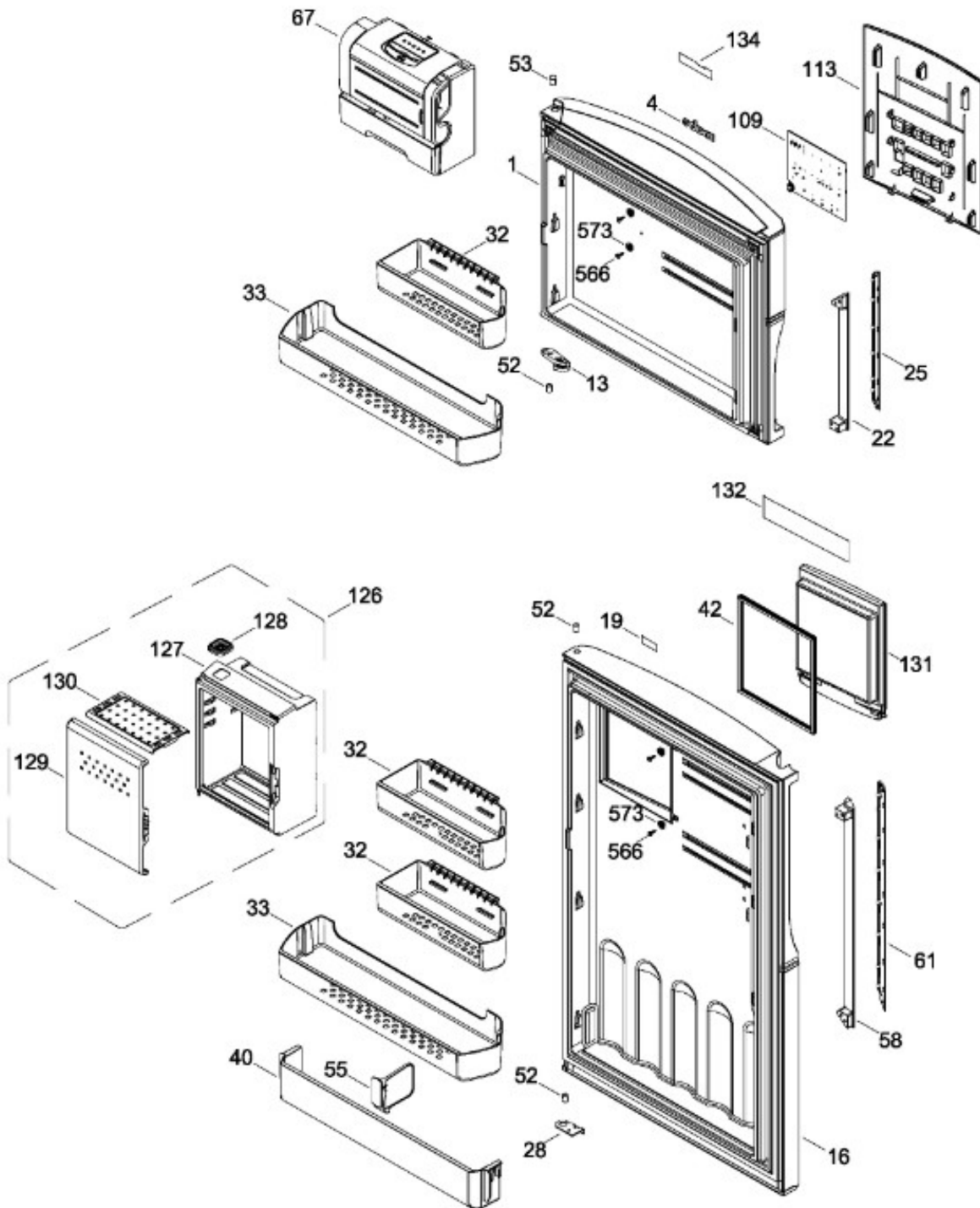
SurteRápido.com

Venta de Refacciones
Electrodomesticas

REFRIGERADOR RMS1951ZSAB0

PUERTA

RMS1951ZSAB0
RMS1951ZSAS0



Distribuidor Autorizado

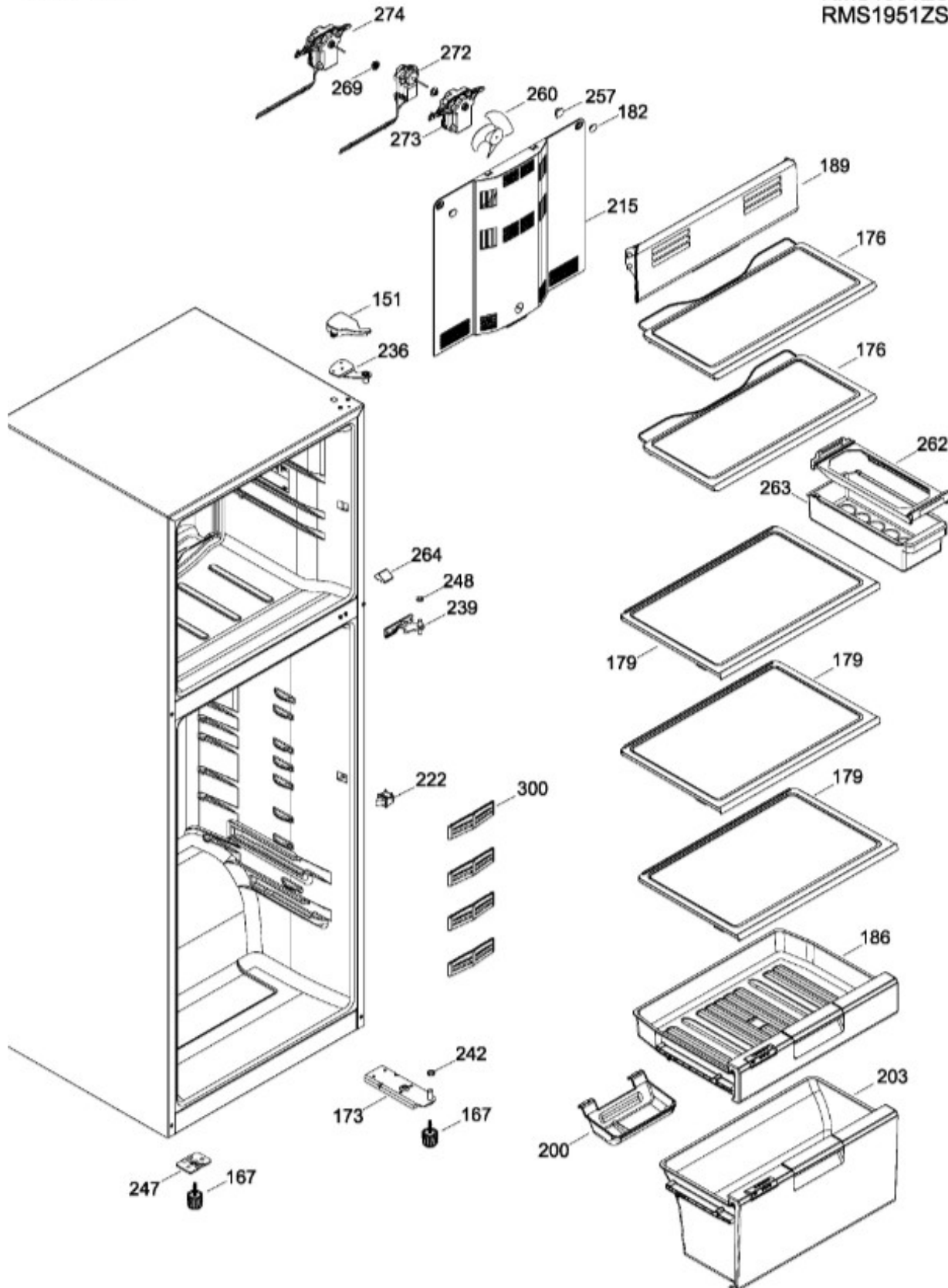
SurteRápido.com

Venta de Refacciones
Electrodomesticas

REFRIGERADOR RMS1951ZSAB0

GABINETE

RMS1951ZSAB0
RMS1951ZSAS0



Distribuidor Autorizado

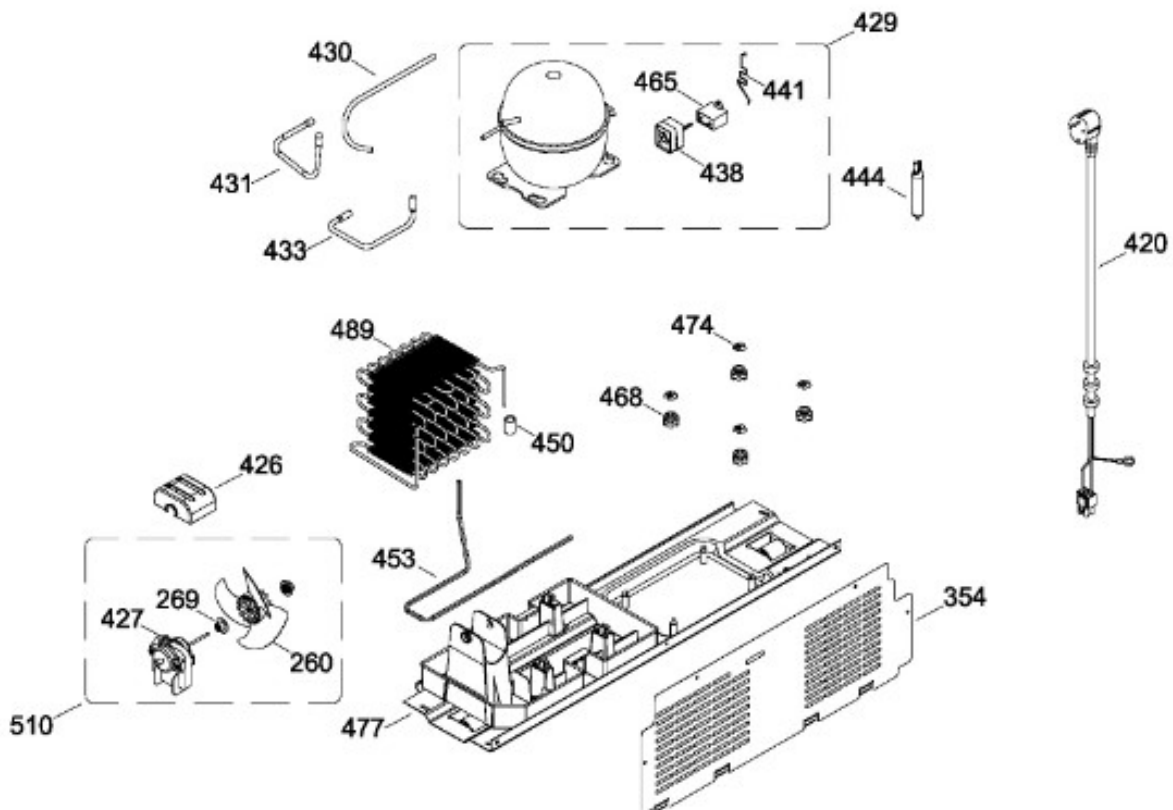
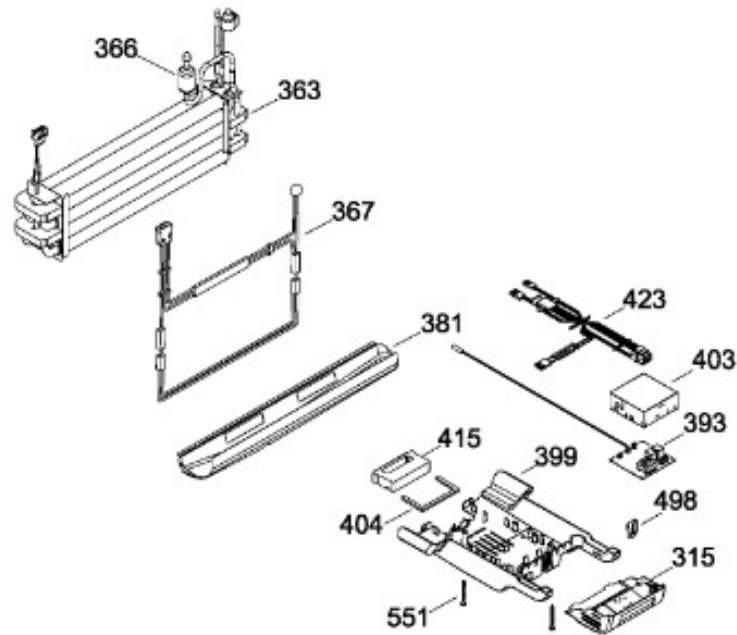
SurteRápido.com

Venta de Refacciones
Electrodomesticas

REFRIGERADOR RMS1951ZSAB0

UNIDAD REFRIGERANTE

RMS1951ZSAB0
RMS1951ZSAS0



Distribuidor Autorizado

SurteRápido.com

Venta de Refacciones
Electrodomesticas

REFRIGERADOR RMS1951ZSAB0

| Guía | Refacción | Descripción |
|------|------------|---------------------------------|
| 1 | WR01L05796 | PUERTA CONG. |
| 4 | WR01A00377 | LOGO MABE ASM |
| 13 | WR01A01217 | TOPE PUERTA INTERMEDIO |
| 16 | WR01L05571 | PUERTA REFR. |
| 19 | WR01A01125 | ETIQUETA ESTRELLAS |
| 22 | WR01L04897 | CUERPO JALADERA CONG. |
| 25 | WR01L05072 | INSERTO JALADERA CONG. |
| 28 | WR01A01273 | TOPE PUERTA REFRIGERADOR |
| 32 | WR01L04676 | ANAQUEL |
| 33 | WR01L04687 | ANAQUEL |
| 40 | WR01L04684 | ANAQUEL |
| 42 | WR01L05942 | SELLO AE |
| 52 | WR01L02462 | BUJE BISAGRA |
| 53 | WR01L00340 | BUSHING HINGE |
| 55 | WR01L05950 | SEPARADOR BOTELLAS |
| 58 | WR01L04895 | CUERPO JALADERA CONG. |
| 61 | WR01L05070 | INSERTO JALADERA REFR. |
| 67 | WR01F02218 | FABRICA HIELOS ENS. |
| 109 | WR01F02537 | TARJETA DISPLAY SIRIUS |
| 112 | WR01A01274 | SOPORTE DISPLAY |
| 112 | WR01A01274 | SOPORTE DISPLAY |
| 113 | WR01F02187 | SOPORTE DISPLAY ENS. |
| 126 | WR01L05020 | ENS. SMART STATION |
| 127 | WR01L04955 | ENS. PANELES |
| 128 | WR01L04920 | ENS. SELLO SILICON SS |
| 129 | WR01L05018 | ENS. PUERTA SS |
| 130 | WR01L05133 | PARRILLA SS |
| 131 | WR01L04921 | ACCESO EXT. COMPLETO |
| 132 | WR01F02251 | MASCARA INSERTO REFR. |
| 134 | WR01F02235 | FOIL ALUMINIO |
| 151 | WR01L05963 | TAPA BISAGRA DISPLAY |
| 167 | WR01A01225 | TORNILLO NIVELADOR |
| 167 | WR01A02469 | TORNILLO NIVELADOR |
| 173 | WR01A01275 | SOP.BIS.INF.ENS.PERNO REMACHADO |
| 176 | WR01L05130 | PARRILLA CONG. ENS. |

Distribuidor Autorizado

SurteRápido.com

Venta de Refacciones
Electrodomesticas

REFRIGERADOR RMS1951ZSAB0

| Guía | Refacción | Descripción |
|------|------------|-------------------------------|
| 179 | WR01L05128 | PARRILLA REFR. ENS. |
| 182 | WR01A01201 | BOTON |
| 186 | WR01L04774 | CAJON DELI ENS. |
| 186 | WR01L09369 | CAJON DELI ENS. |
| 186 | WR01L11144 | CAJON DELI ENS. |
| 189 | WR01F02134 | ENFRIADOR EXPRESS |
| 200 | WR01L04714 | BALCON DELICADOS |
| 203 | WR01L04788 | CAJON LEGUMBRES ENS. |
| 203 | WR01L09368 | CAJON LEGUMBRES ENS. |
| 203 | WR01L11143 | CAJON LEGUMBRES ENS. |
| 215 | WR01L04933 | ENS. CUBIERTA EVAPORADOR |
| 222 | WR01L05089 | INTERRUPTOR (6.67.6YL3CER)RVO |
| 236 | WR01L04760 | BISAGRA SEPARADOR ENS. |
| 239 | WR01L04755 | BISAGRA INTERMEDIA ENS. |
| 239 | WR01L09400 | BISAGRA INTERMEDIA ENS. |
| 242 | WR01A01112 | ESPACIADOR BISAGRA |
| 242 | WR01A01110 | ESPACIADOR BISAGRA |
| 247 | WR01A01179 | SOPORTE NIVELADOR |
| 248 | WR01A01150 | RONDANA BISAGRA |
| 257 | WR01A01099 | CLIP ADHESIVO EVAP |
| 260 | WR01F00099 | ASPA DE VENTILADOR ENS |
| 262 | WR01A01177 | SOPORTE HUEVERA |
| 263 | WR01L05042 | HUEVERA SIRIUS TAKE AND GO |
| 263 | WR01L05041 | HUEVERA SIRIUS TAKE AND GO |
| 264 | WR01L05019 | REJILLA DE AIRE ENS. |
| 269 | WR01A00239 | EMPAQUE VENTILADOR |
| 272 | WR01F02264 | MOTOR VENTILADOR |
| 272 | WR01F03788 | MOTOR VENTILADOR |
| 273 | WR01L04888 | CUBIERTA MOTOR |
| 274 | WR01F02174 | MOTOR EVAPORADOR ENS |
| 300 | WR01L05913 | REJILLA DE AIRE FF |
| 315 | WR01L04886 | CUBIERTA LED ENS. |
| 354 | WR01L06006 | TAPA COMPRESOR |
| 363 | WR01F02146 | ENS. EVAPORADOR |
| 366 | WR01F01954 | ACUMULADOR ENS. |

Distribuidor Autorizado

SurteRápido.com

Venta de Refacciones
Electrodomesticas

REFRIGERADOR RMS1951ZSAB0

| Guía | Refacción | Descripción |
|------|------------|--------------------------------|
| 366 | WR01F03746 | ACUMULADOR ENS. |
| 367 | WR01F01988 | ENS. ARNES RESISTENCIA DESH |
| 381 | WR01L04807 | CHAROLA DESHIELO |
| 393 | WR01F02314 | TARJETA CONTROL TEMP. |
| 399 | WR01F02022 | CAJA CONTROL |
| 403 | WR01F02032 | CAJA PROTECTOR TARJETA |
| 404 | WR01L05943 | SELLO DE ESPUMA |
| 415 | WR01F02129 | DUCTO SENS.OR AIRE |
| 420 | WR01F01992 | ARNES TOMACORRIENTE |
| 420 | WR01F03794 | ARNES TOMACORRIENTE |
| 423 | WR01F01975 | ENS. ARNES CAJA CTRL COMP ALIM |
| 423 | WR01F03791 | ENS. ARNES CAJA CTRL COMP ALIM |
| 426 | WR01A01451 | CLIP MOTOR COND. |
| 427 | WR01F02263 | MOTOR VENTILADOR |
| 429 | WR01F02161 | ENS. COMPRESOR |
| 429 | WR01A02263 | ENS. COMPRESOR |
| 430 | WR01F02538 | APENDICE DE SERVICIO COMPRESOR |
| 430 | WR01F02546 | APENDICE DE SERVICIO COMPRESOR |
| 431 | WR01A01276 | APENDICE DE SERVICIO 85MM |
| 431 | WR01F03641 | APENDICE DE SERVICIO 85MM |
| 433 | WR01F02539 | TUBO APEND.SUCC.16 18 |
| 438 | WR01F01945 | PROTECTOR RELEVADOR |
| 441 | WR01A01101 | SUJETADOR CLIP 5SP |
| 444 | WR01F02221 | FILTRO DESHIDRATADOR |
| 450 | WR01F02375 | VALVULA DREN |
| 453 | WR01F02001 | ENS. TUBO AUXILIAR |
| 465 | WR01F02540 | CAPACITOR 4MFD 400VAC |
| 468 | WR01F01965 | AMORTIGUADOR |
| 474 | WR01A00191 | CLIP COMPRESOR |
| 477 | WR01F02184 | ENS. SOPORTE COMPRESOR |
| 477 | WR01A02417 | ENS. SOPORTE COMPRESOR |
| 489 | WR01F02077 | CONDENS.ADOR MULTILAYER |
| 498 | WR01L05985 | TAPA CAJA CONTROL |
| 510 | WR01F02170 | MOTOR ASPA ENS. |
| 551 | WR01A01224 | TORNILLO 8-19 |
| 566 | WR01A01135 | PI6JA 8-18X3/4 |
| 573 | WR01L06256 | BOTON FABRICA DE HIELOS |