

Distribuidor Autorizado

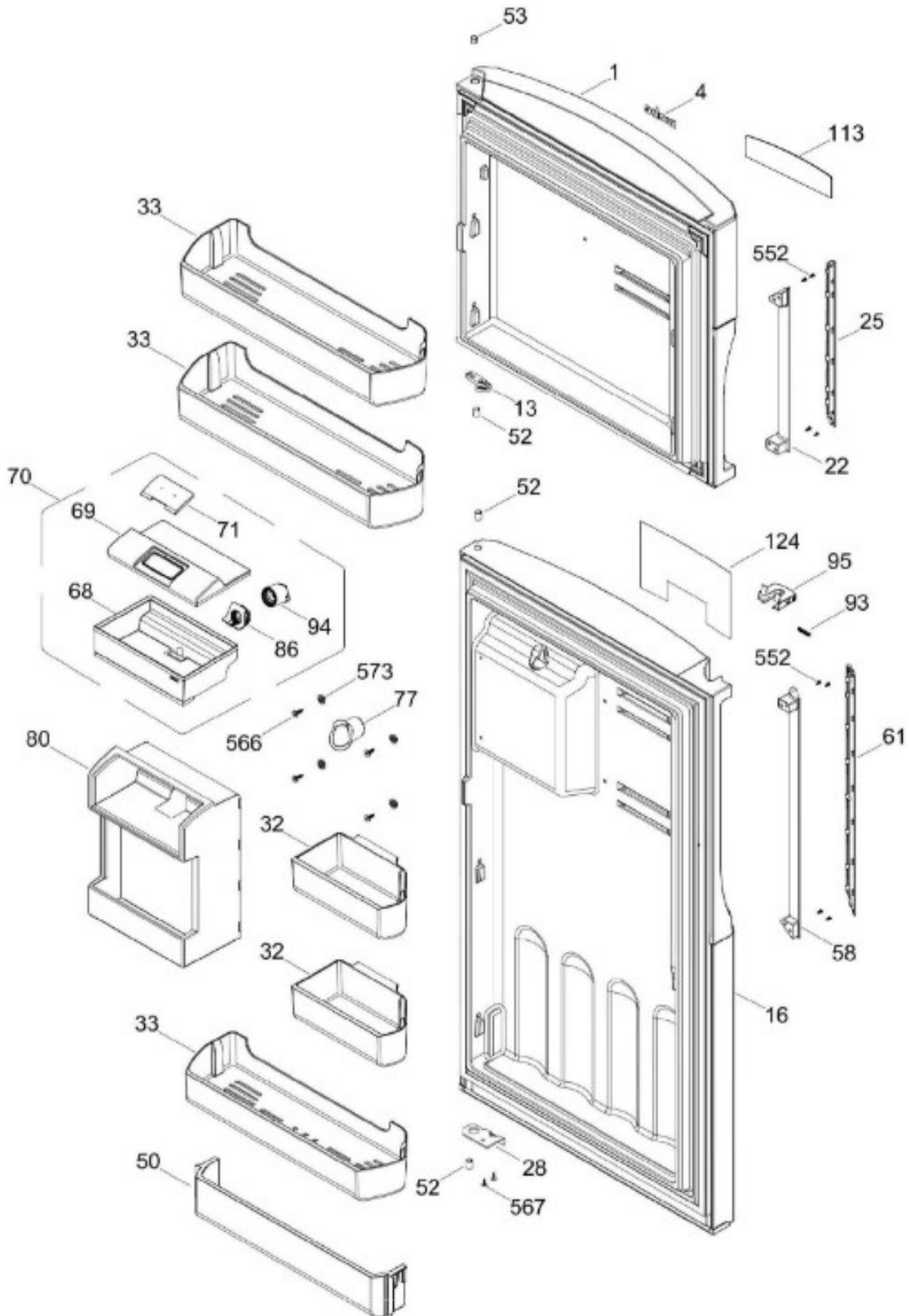
SurteRápido.com

Venta de Refacciones
Electrodomesticas

REFRIGERADOR RMS400IAMREA

PUERTA

RMS400IAMREA



Distribuidor Autorizado

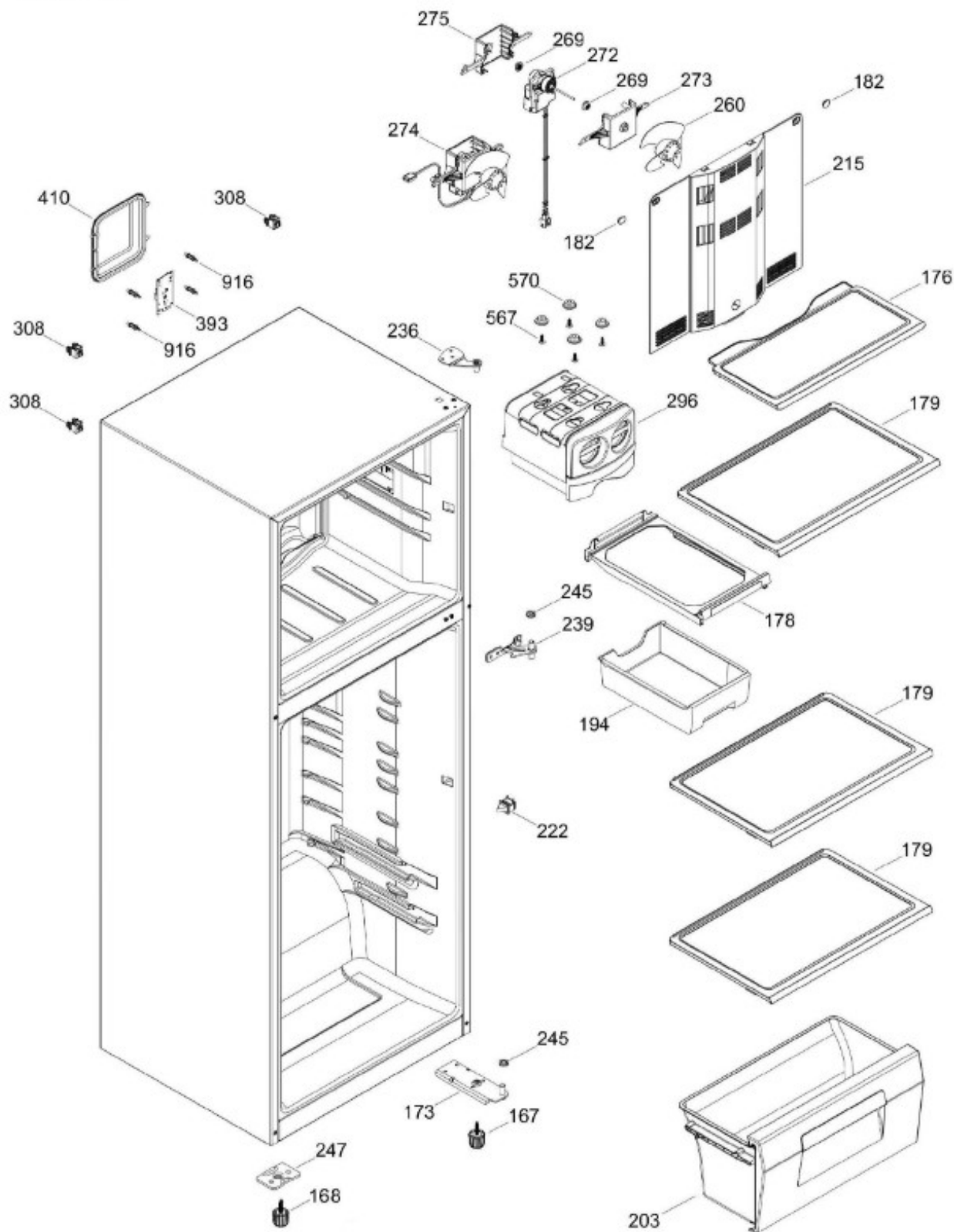
SurteRápido.com

Venta de Refacciones
Electrodomesticas

REFRIGERADOR RMS400IAMREA

GABINETE

RMS400IAMREA



Distribuidor Autorizado

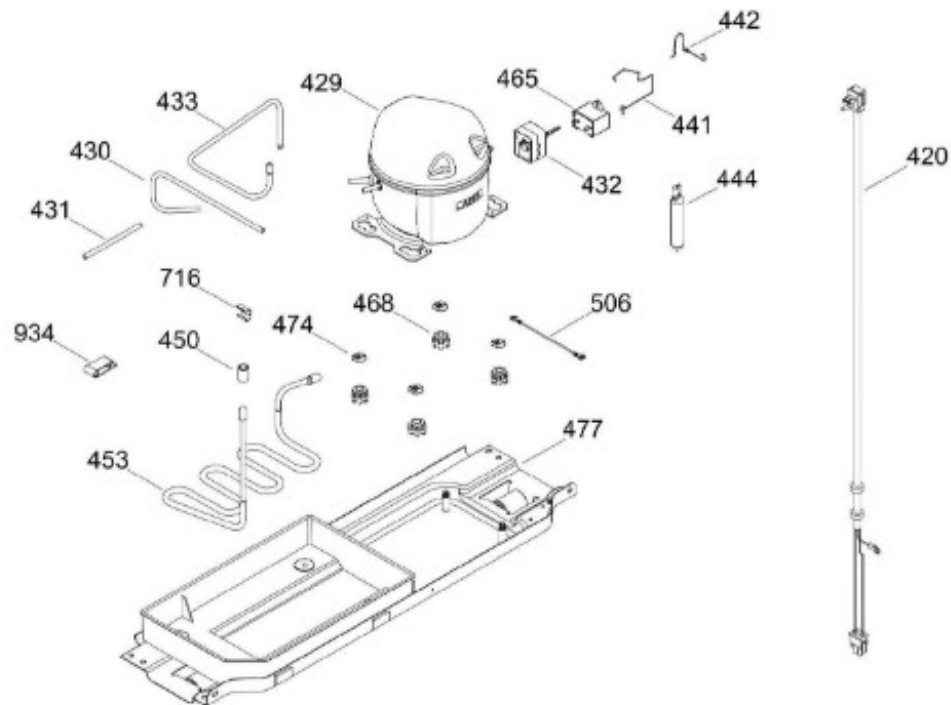
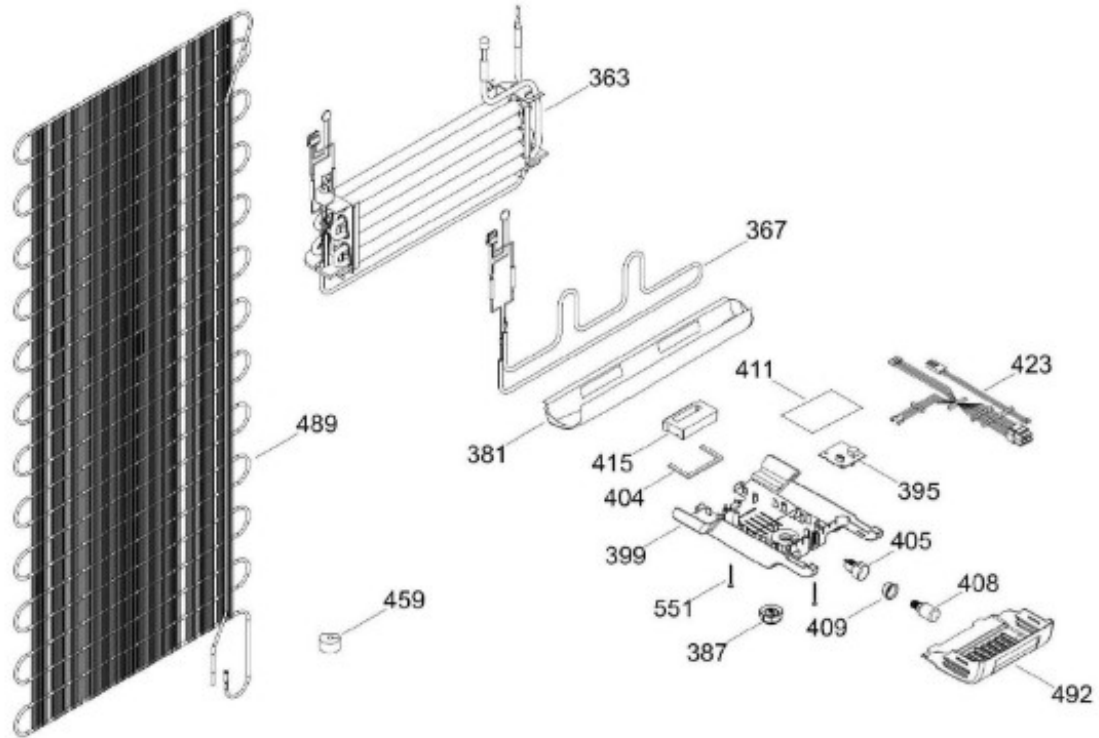
SurteRápido.com

Venta de Refacciones
Electrodomesticas

REFRIGERADOR RMS400IAMREA

UNIDAD REFRIGERANTE

RMS400IAMREA



Distribuidor Autorizado

SurteRápido.com

Venta de Refacciones
Electrodomesticas

REFRIGERADOR RMS400IAMREA

| Guía | Refacción | Descripción |
|------|------------|-------------------------------|
| 1 | WR01L12802 | ENS. PUERTA ESPUMADA CONG |
| 4 | WR01A02267 | PLACA EMBLEMA MABE |
| 13 | WR01A01217 | TOPE PUERTA INTERMEDIO |
| 16 | WR01L12803 | ENS. PUERTA ESPUMADA REF |
| 22 | WR01L12804 | CUERPO JALAD.FZ.SIRIUS N30 |
| 25 | WR01L11070 | INSERTO JALADERA FZ SPARKLING |
| 25 | WR01L13385 | INSERTO JALADERA FZ SPARKLING |
| 28 | WR01A01273 | TOPE PUERTA REFRIGERADOR |
| 32 | WR01L04675 | ANAQUEL CORTO CONG |
| 33 | WR01L04686 | MODULE COMPLETO CONG / ENF |
| 50 | WR01L04683 | ANAQUEL BOTELLAS (66) |
| 52 | WR01L02462 | BUJE BISAGRA |
| 53 | WR01L00340 | BUSHING HINGE |
| 58 | WR01L12805 | CUERPO JALAD.FF.SIRIUS N30 |
| 61 | WR01L11071 | INSERTO JALADERA FF SPARKLING |
| 61 | WR01L13386 | INSERTO JALADERA FF SPARKLING |
| 68 | WR03F04529 | TANQUE DE AGUA |
| 69 | WR01L11000 | CUBIERTA DE TANQUE |
| 70 | WR03F04530 | ENS. TANQUE DE AGUA |
| 71 | WR03F04531 | CUBIERTA DE FILTRO |
| 77 | WR03F04532 | DUCTO TANQUE |
| 80 | WR03F04533 | ENS. PANELES |
| 86 | WR01L11001 | SELLO TANQUE DE AGUA |
| 93 | WR01A02113 | RESORTE ACTUADOR |
| 94 | WR01F02196 | ENSAMBLE VALVULA MODIFICADA |
| 95 | WR03F04534 | ACTUADOR DISPENSADOR |
| 113 | WR01L12807 | OVERLAY AQUA INGENIOUS |
| 124 | WR01L12806 | MASCARA DISPENSADOR |
| 167 | WR01A01225 | TORNILLO NIVELADOR |
| 168 | WR01A02261 | TORNILLO NIVELADOR |
| 173 | WR01A02262 | SOP. BIS. INF. ENS. COMP. |
| 176 | WR01L05129 | PARRILLA CRISTA LCONGELADOR |
| 178 | WR01F02252 | MARCO SOPORTE CAJON CARNES |
| 179 | WR01L05127 | PARRILLA CRISTAL ENFRIADOR |
| 182 | WR01A01201 | BOTON |

Distribuidor Autorizado

SurteRápido.com

Venta de Refacciones
Electrodomesticas

REFRIGERADOR RMS400IAMREA

| Guía | Refacción | Descripción |
|------|------------|-------------------------------------|
| 194 | WR01L04771 | CAJON CARNES |
| 203 | WR01L06182 | CAJON LEG.GDE.C/SERIG. |
| 203 | WR01L13595 | CAJON LEG.GDE.C/SERIG. |
| 215 | WR01L04932 | CUBIERTA EVAPORADOR SUBENSAMBL |
| 222 | WR01F03855 | INTERRUPTOR DE LUZ |
| 236 | WR01L04760 | BISAGRA SEPARADOR ENS. |
| 239 | WR01L09400 | BISAGRA INTERMEDIA ENS. |
| 245 | WR01A01613 | ESPACIADOR PUERTA SIRIUS 360 |
| 247 | WR01A01179 | SOPORTE NIVELADOR |
| 260 | WR01F00099 | ASPA DE VENTILADOR ENS |
| 269 | WR01A00239 | EMPAQUE VENTILADOR |
| 272 | WR01F04574 | MOTOR EVAP SKELETON SIRIUS |
| 272 | WR01F04955 | MOTOR EVAP SKELETON SIRIUS |
| 273 | WR01L11899 | SOPORTE FRONTAL MOTOR VENTILADOR |
| 274 | WR01F04573 | ENS.MOTOR VENT.EVA SIRIUS 110V |
| 274 | WR01F05148 | ENS.MOTOR VENT.EVA SIRIUS 110V |
| 275 | WR01L11900 | SOPORTE POSTERIOR MOTOR VENTILADOR |
| 296 | WR01L04903 | DESM.HIELO" PRACTIHIELO |
| 308 | WR03F04711 | SOPORTE CONDENSADOR |
| 363 | WR01F04435 | ENS.COMP.EVAP.127V 400 |
| 367 | WR01F04431 | ENS.ARNES RESISTENCIA DESHIELO 115V |
| 367 | WR01F05152 | ENS.ARNES RESISTENCIA DESHIELO 115V |
| 381 | WR01L04806 | CHAROLA DE DESHIELO |
| 387 | WR01L05143 | PERILLA CONTROL |
| 393 | WR01F04585 | TARJETA CONTROL 120 V MEX |
| 395 | WR01F04364 | TARJETA SELECTOR MODS. |
| 399 | WR01F02023 | CAJA CONTROL |
| 404 | WR01L05943 | SELLO DE ESPUMA |
| 405 | WR01F02289 | SOCKET ENS. |
| 408 | WR03F04631 | FOCO LED 130V (1.5W) |
| 408 | WR01F03875 | FOCO LED 130V (1.5W) |
| 409 | WR01L13110 | SELLO LAMPARA |
| 410 | WR01F04512 | ENS.CUBIERTA Y SELLO A |
| 411 | WR01F03365 | AISLANTE ELECT.CAJA CTRL.S.360 |
| 415 | WR01F02129 | DUCTO SENS.OR AIRE |

Distribuidor Autorizado

SurteRápido.com

Venta de Refacciones
Electrodomesticas

REFRIGERADOR RMS400IAMREA

| Guía | Refacción | Descripción |
|------|------------|-------------------------------------|
| 420 | WR01F04341 | ENS ARNES TOMACORRIENTE |
| 423 | WR01F04437 | ARNES CONTROL X |
| 429 | WR01F04600 | COMPRESOR MEIZHI |
| 430 | WR01L13178 | APENDICE DE CARGA MEIZHI |
| 431 | WR01F04636 | TUBO RECTO SALIDA COMPRESOR |
| 432 | WR01L13176 | PROTECTOR RELEVADOR 5SP14B302TFD-02 |
| 433 | WR01F04599 | APENDICE SUCCIÓN |
| 441 | WG03F06144 | CLIP RETENEDOR |
| 442 | WR01A01615 | CLIP CONECTOR |
| 444 | WR01F03902 | FILTRO DESHIDRATADOR |
| 450 | WR01F02375 | VALVULA DREN |
| 453 | WR01F04598 | SERPENTIN DE EVAPORACIÓN MEIZHI |
| 459 | WR01F01964 | AMORTIGUADOR PARA CONDENSADOR |
| 465 | WR03F04640 | CAPACITOR 12 MICROFARADIOS |
| 465 | WR01F04742 | CAPACITOR 12 MICROFARADIOS |
| 468 | WR01F01965 | AMORTIGUADOR |
| 474 | WR01A00191 | CLIP COMPRESOR |
| 477 | WR01A01616 | ENS.SOP.COMPRESOR SIRIUS 360LT |
| 489 | WR01F02084 | CONDENSADOR PLANO |
| 492 | WR01L04887 | CUBIERTA LUZ |
| 506 | WR03F04831 | ARNES DE TIERRA |
| 551 | WR01A01224 | TORNILLO 8-19 |
| 552 | WR01A01286 | TORNILLO C/PHILL.(8-32X12.7MM. |
| 566 | WR01A01135 | PI6JA 8-18X3/4 |
| 567 | WR01A01231 | TORNILLO TIPO AB(8-18*5/8) |
| 570 | WR01A01096 | BUJE |
| 570 | WR01A01096 | BUJE |
| 573 | WR01L06256 | BOTON FABRICA DE HIELOS |
| 716 | WR01A00133 | BROCHE DE TERMISTOR |
| 916 | WR01L13111 | SEPARADOR |
| 934 | WR01A00184 | TUBO ABRAZADERA |

