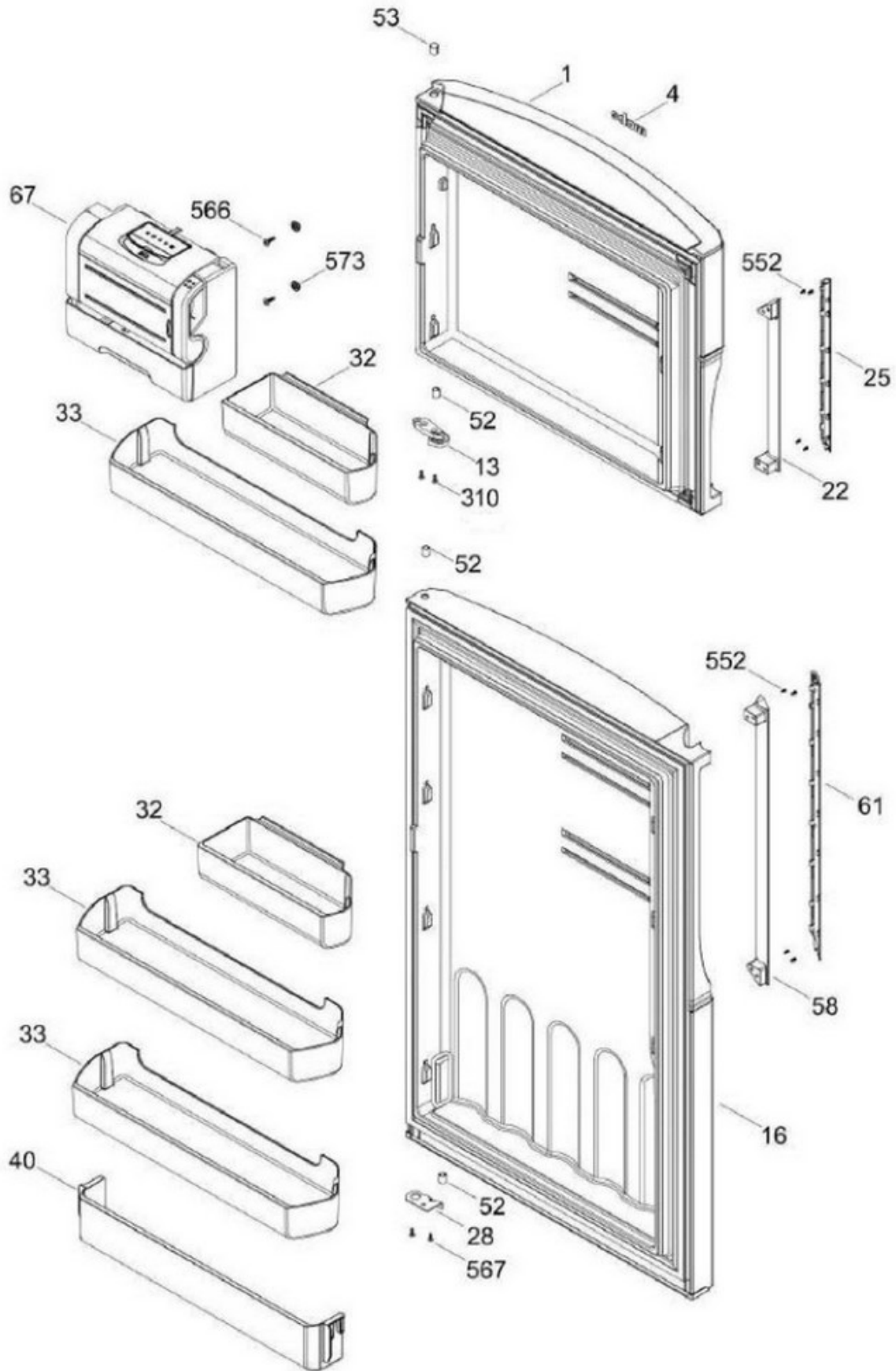


Distribuidor Autorizado

SurteRápido.com

Venta de Refacciones
Electrodomesticas

REFRIGERADOR RMS510IXMRXC

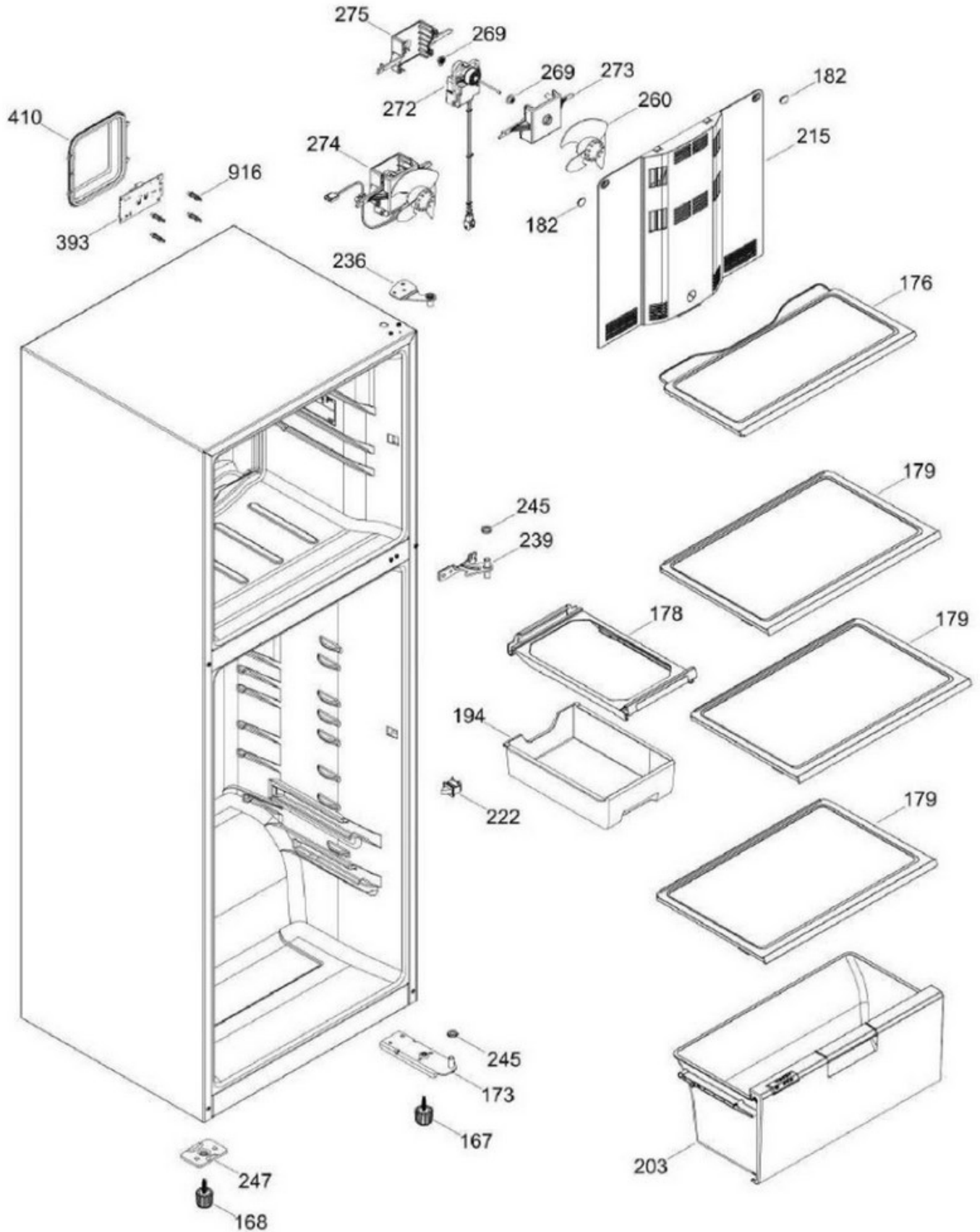


Distribuidor Autorizado

SurteRápido.com

Venta de Refacciones
Electrodomesticas

REFRIGERADOR RMS510IXMRXC

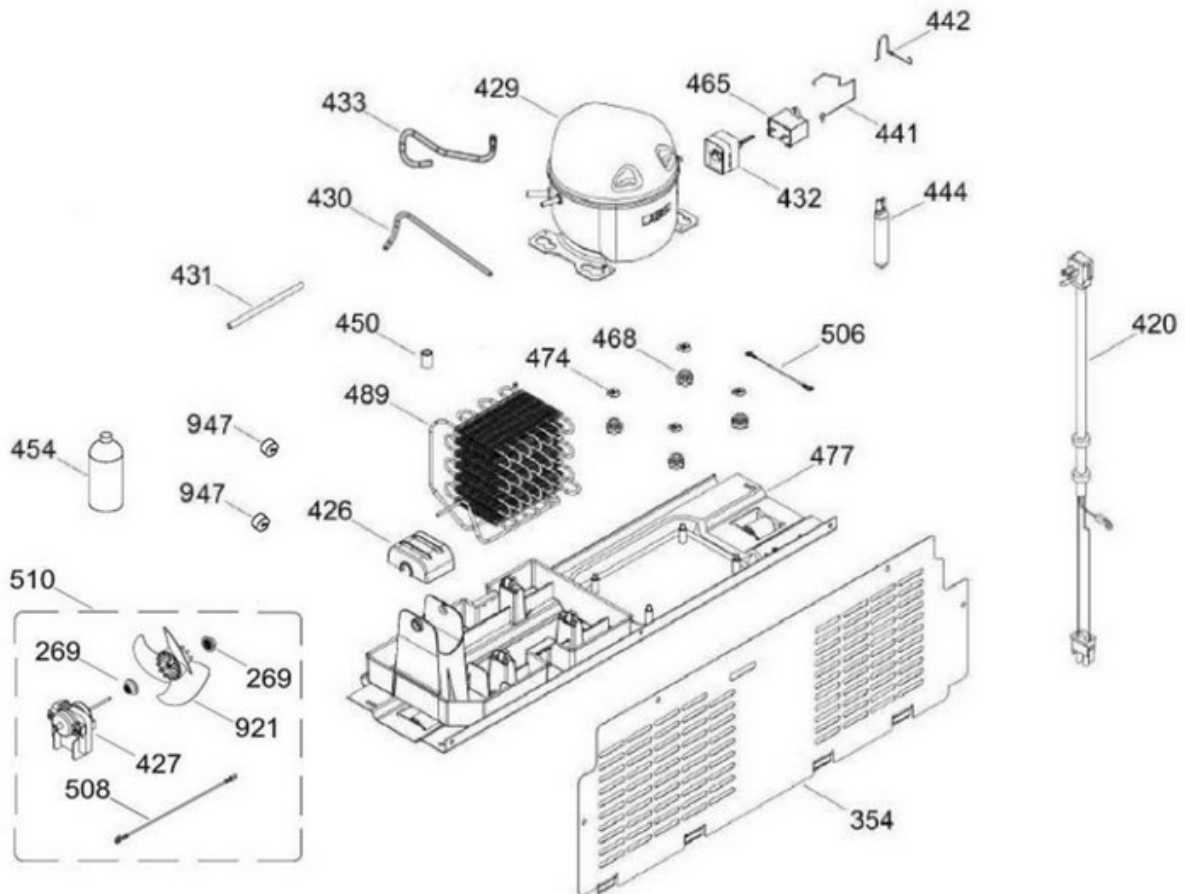
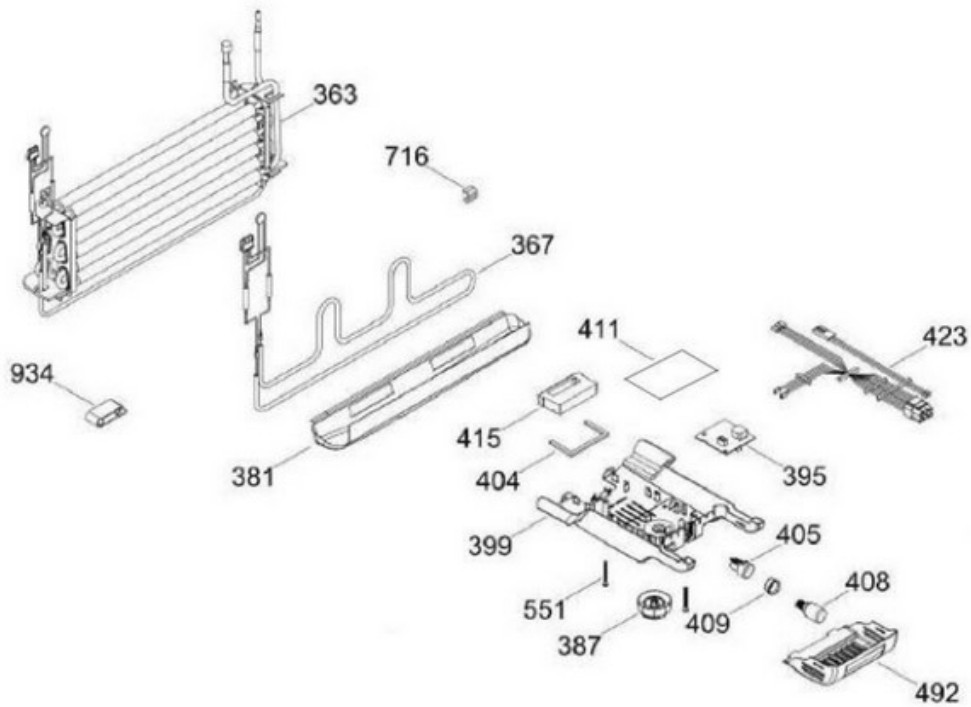


Distribuidor Autorizado

SurteRápido.com

Venta de Refacciones
Electrodomesticas

REFRIGERADOR RMS510IXMRXC



Distribuidor Autorizado

SurteRápido.com

Venta de Refacciones
Electrodomesticas



REFRIGERADOR RMS510IXMRXC

| Guía | Refacción | Descripción |
|------|------------|------------------------------|
| 1 | WR01L13087 | ENS. PUERTA ESP. CONG. |
| 4 | WR01A02267 | PLACA EMBLEMA MABE |
| 13 | WR01A01217 | TOPE PUERTA INTERMEDIO |
| 16 | WR01L13088 | ENS. PUERTA ESPUMADA FF |
| 22 | WR01L12804 | CUERPO JALAD.FZ.SIRIUS N30 |
| 25 | WR01L13385 | INSERTO JALADERA FZ |
| 28 | WR01A01273 | TOPE PUERTA REFRIGERADOR |
| 32 | WR01L04676 | ANAQUEL |
| 33 | WR01L04687 | ANAQUEL |
| 40 | WR01L04684 | ANAQUEL |
| 52 | WR01L02462 | BUJE BISAGRA |
| 53 | WR01L00340 | BUSHING HINGE |
| 58 | WR01L12805 | CUERPO JALAD.FF.SIRIUS N30 |
| 61 | WR01L13386 | INSERTO JALADERA FF |
| 67 | WR01F02218 | FABRICA HIELOS ENS. |
| 167 | WR01A01225 | TORNILLO NIVELADOR |
| 167 | WR01A02469 | TORNILLO NIVELADOR |
| 168 | WR01A02261 | TORNILLO NIVELADOR |
| 168 | WR01A02470 | TORNILLO NIVELADOR |
| 173 | WR01A02262 | SOP. BIS. INF. ENS. COMP. |
| 176 | WR01L05130 | PARRILLA CONG. ENS. |
| 178 | WR01F02253 | MARCO SOPORTE CAJON CARNES |
| 179 | WR01L05128 | PARRILLA REFR. ENS. |
| 182 | WR01A01201 | BOTON |
| 194 | WR01L04771 | CAJON CARNES |
| 203 | WR01L11143 | ENS. CAJON VEGETALES 500L |
| 215 | WR01L04933 | ENS. CUBIERTA EVAPORADOR |
| 222 | WR01F03855 | INTERRUPTOR DE LUZ |
| 236 | WR01L04760 | BISAGRA SEPARADOR ENS. |
| 239 | WR01L09400 | BISAGRA INTERMEDIA ENS. |
| 245 | WR01A01613 | ESPACIADOR PUERTA SIRIUS 360 |
| 247 | WR01A01179 | SOPORTE NIVELADOR |
| 260 | WR01F00099 | ASPA DE VENTILADOR ENS |
| 269 | WR01A00239 | EMPAQUE VENTILADOR |
| 272 | WR01F04574 | MOTOR EVAP SKELETON SIRIUS |



REFRIGERADOR RMS510IXMRXC

| Guía | Refacción | Descripción |
|------|------------|-------------------------------------|
| 272 | WR01F04955 | MOTOR EVAP SKELETON SIRIUS |
| 273 | WR01L11899 | SOPORTE FRONTAL MOTOR VENTILADOR |
| 274 | WR01F04573 | ENS.MOTOR VENT.EVA SIRIUS 110V |
| 274 | WR01F05148 | ENS.MOTOR VENT.EVA SIRIUS 110V |
| 275 | WR01L11900 | SOPORTE POSTERIOR MOTOR VENTILADOR |
| 310 | WR01A01771 | TORNILLO HI - FAST |
| 354 | WR01L06006 | TAPA COMPRESOR |
| 363 | WR01L13353 | EVAPORATOR ASM |
| 367 | WR01F04443 | ENS.ARNES RESISTENCIA DESHIELO 115V |
| 367 | WR01F05153 | ENS.ARNES RESISTENCIA DESHIELO 115V |
| 381 | WR01L04807 | CHAROLA DESHIELO |
| 387 | WR01L05143 | PERILLA CONTROL |
| 393 | WR01F04585 | TARJETA CONTROL 120 V MEX |
| 393 | WR01F05184 | TARJETA CONTROL 120 V MEX |
| 395 | WR01F04364 | TARJETA SELECTOR MODS. |
| 399 | WR01F02023 | CAJA CONTROL |
| 404 | WR01L05943 | SELLO DE ESPUMA |
| 405 | WR01F02289 | SOCKET ENS. |
| 408 | WR01F02226 | FOCO FF |
| 408 | WR01F03693 | FOCO FF |
| 408 | WR03F04631 | FOCO LED 130V (1.5W) |
| 408 | WR01F03875 | FOCO LED 130V (1.5W) |
| 409 | WR01L13110 | SELLO LAMPARA |
| 410 | WR01F04512 | ENS.CUBIERTA Y SELLO A |
| 411 | WR01F03365 | AISLANTE ELECT.CAJA CTRL.S.360 |
| 415 | WR01F02129 | DUCTO SENS.OR AIRE |
| 420 | WR01F04341 | ENS ARNES TOMACORRIENTE |
| 423 | WR01F04437 | ARNES CONTROL X |
| 426 | WR01A01451 | CLIP MOTOR CONDENSADOR ROHS |
| 427 | WR01F04433 | MOTOR CONDENSADOR |
| 429 | WR01F04895 | COMPRESOR MKH |
| 430 | WR01F04763 | TUBO DE CARGA |
| 431 | WR01F04677 | TUBO RECTO SALIDA COMPRESOR |
| 432 | WR01F01943 | PROTECTOR RELEVADOR |
| 433 | WR01F04762 | APENDICE SUCCION |



REFRIGERADOR RMS510IXMRXC

| Guía | Refacción | Descripción |
|------|------------|--------------------------------|
| 441 | WR01A01614 | CLIP 5SP 127V GLOBE CAPACITOR |
| 441 | WR01A02393 | CLIP 5SP 127V GLOBE CAPACITOR |
| 442 | WR01A01615 | CLIP CONECTOR |
| 444 | WR01F03902 | FILTRO DESHIDRATADOR |
| 450 | WR01F02375 | VALVULA DREN |
| 454 | WG03A02542 | LATA 420G ERKA R600A |
| 465 | WR01F04742 | CAPACITOR 12 MICROFARADIOS |
| 468 | WR01F01965 | AMORTIGUADOR |
| 474 | WR01A00191 | CLIP COMPRESOR |
| 477 | WR01F02184 | ENS. SOPORTE COMPRESOR |
| 477 | WR01A02417 | ENS. SOPORTE COMPRESOR |
| 489 | WR01F04894 | CONDENSADOR |
| 492 | WR01L04887 | CUBIERTA LUZ |
| 506 | WR03F04831 | ARNES DE TIERRA |
| 508 | WR01F01993 | ARNES TIERRA |
| 510 | WR01L13183 | ENS.MOTOR CONDENS.127v SIRIUS |
| 551 | WR01A01224 | TORNILLO 8-19 |
| 552 | WR01A02349 | TORN.8-32 PH 5/8 P/JAL.ESCALON |
| 566 | WR01A01135 | PI6JA 8-18X3/4 |
| 567 | WR01A01231 | TORNILL TIPO AB(8-18*5/8) |
| 573 | WR01L06256 | BOTON FABRICA DE HIELOS |
| 716 | WR01A00133 | BROCHE DE TERMISTOR |
| 916 | WR01L13111 | SEPARADOR |
| 921 | WR01F04527 | ENS. ASPA VENTILADOR |
| 934 | WR01A00184 | TUBO ABRAZADERA |
| 947 | WR01F00847 | SELLO GOMA |