

Distribuidor Autorizado

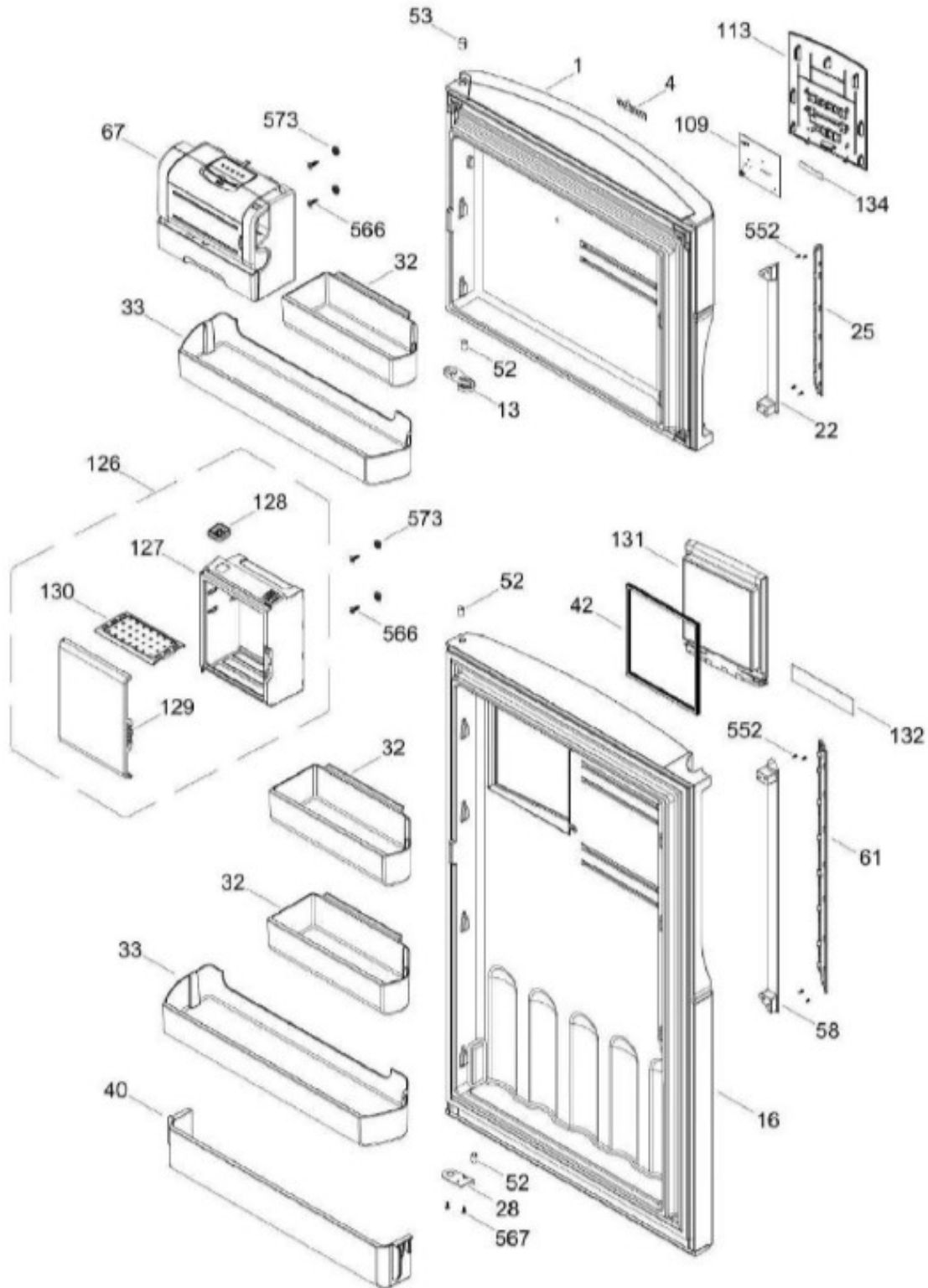
SurteRápido.com

Venta de Refacciones
Electrodomesticas

REFRIGERADOR RMS510IZMRPA

PUERTA

RMS510IZMRPA



Distribuidor Autorizado

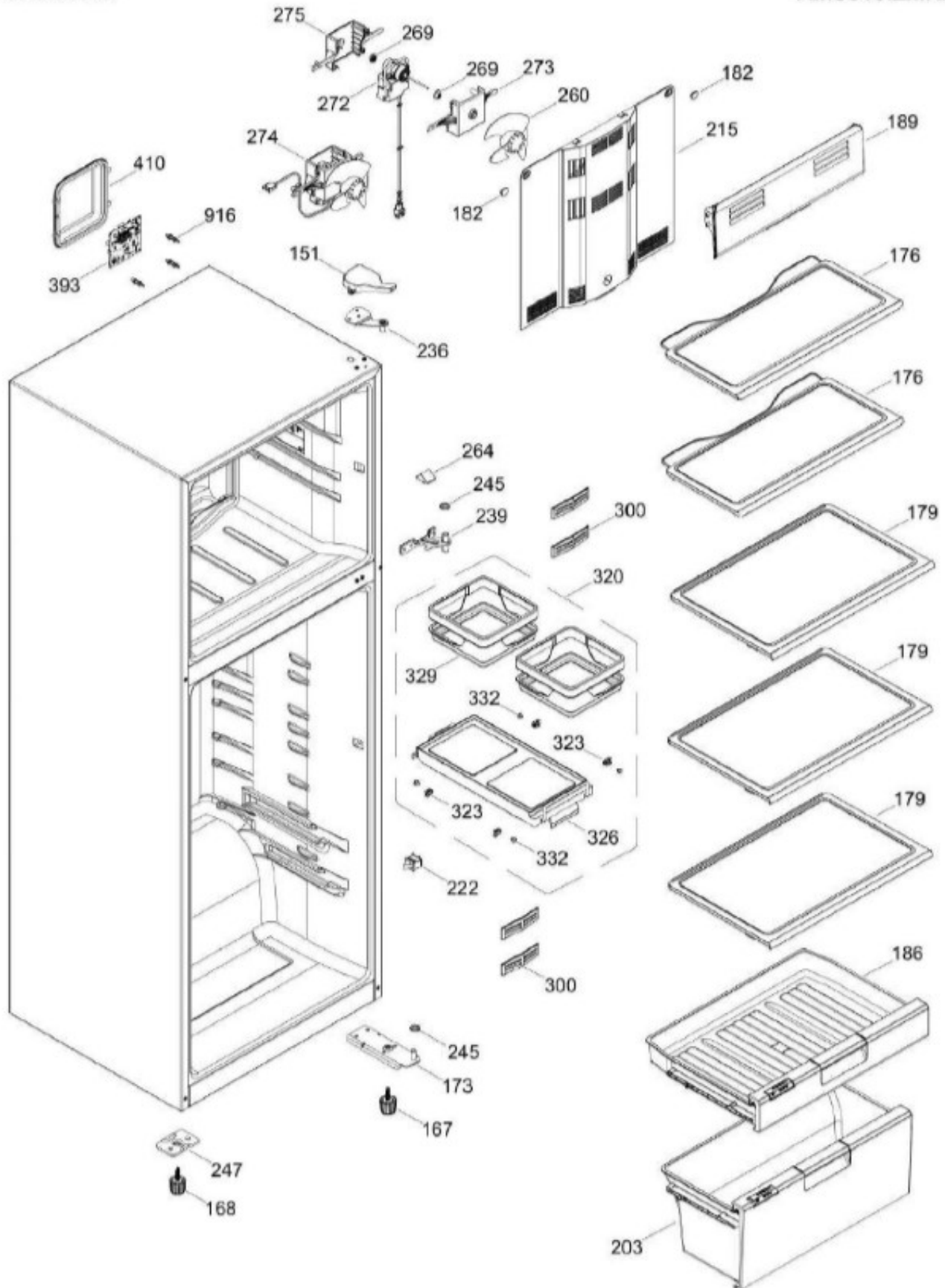
SurteRápido.com

Venta de Refacciones
Electrodomesticas

REFRIGERADOR RMS510IZMRPA

GABINETE

RMS510IZMRPA



Distribuidor Autorizado

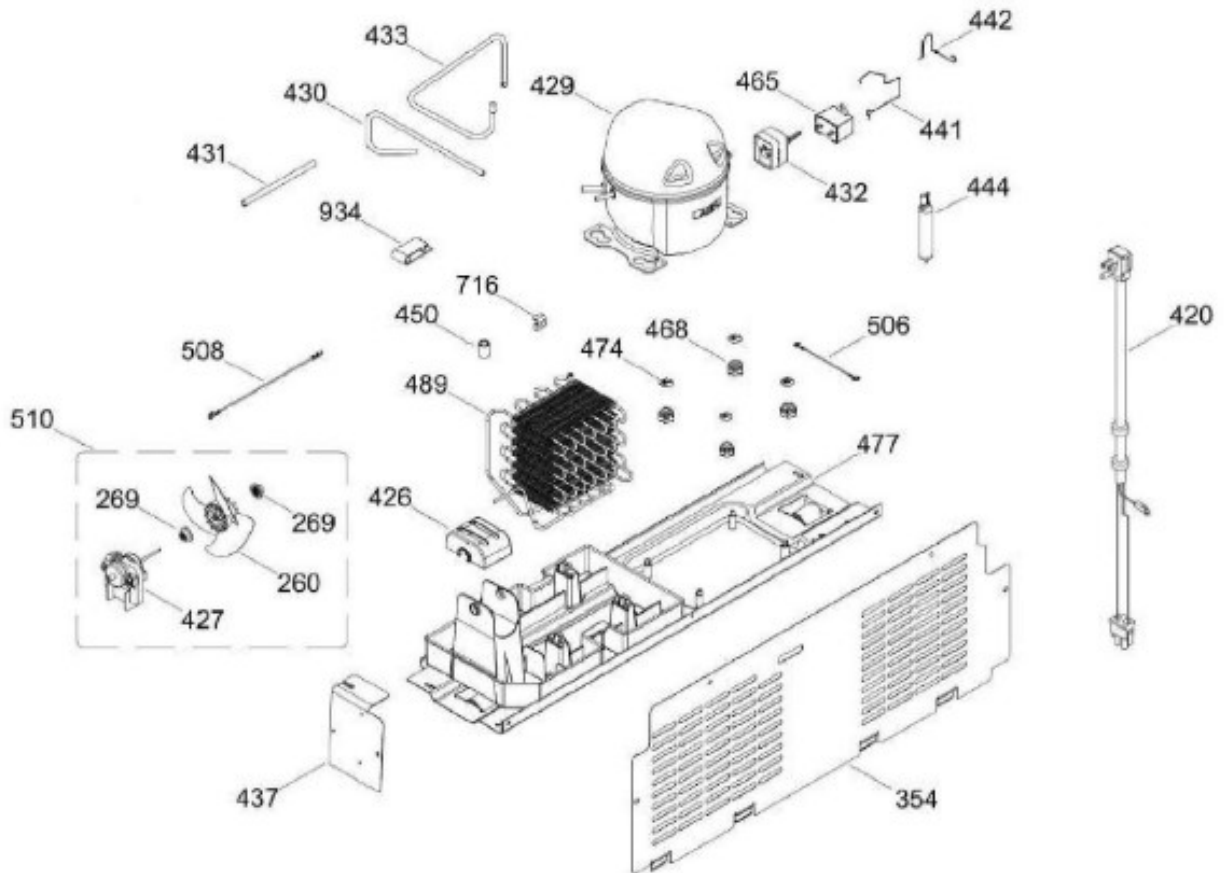
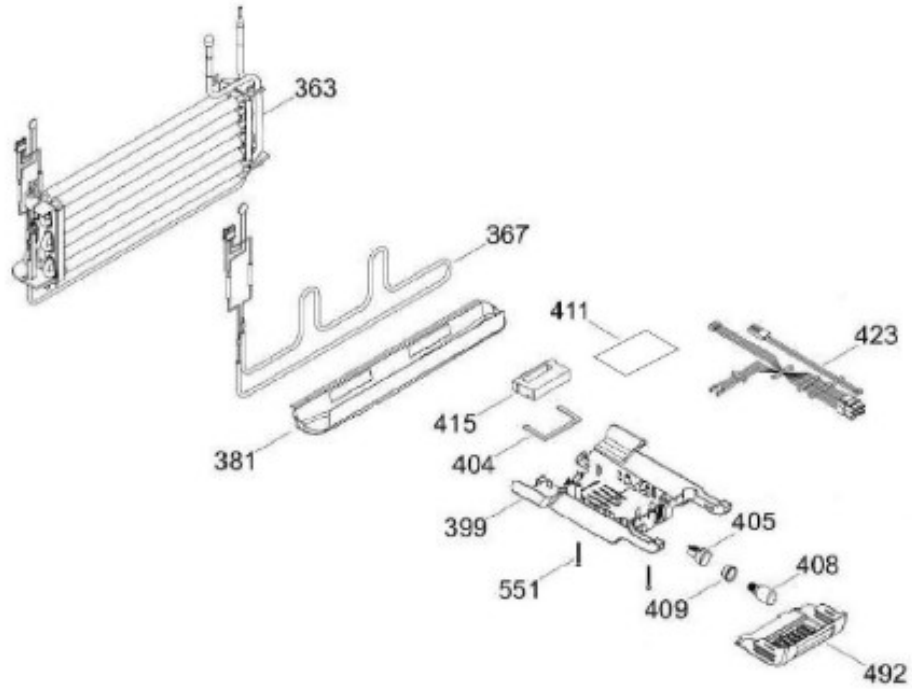
SurteRápido.com

Venta de Refacciones
Electrodomesticas

REFRIGERADOR RMS510IZMRPA

UNIDAD REFRIGERANTE

RMS510IZMRPA



Distribuidor Autorizado

SurteRápido.com

Venta de Refacciones
Electrodomesticas

REFRIGERADOR RMS510IZMRPA

| Guía | Refacción | Descripción |
|------|------------|----------------------------------|
| 1 | WR01L13099 | ENS. PUERTA ESPUMADA CONG. |
| 4 | WR01A02267 | PLACA EMBLEMA MABE |
| 13 | WR01A01217 | TOPE PUERTA INTERMEDIO |
| 16 | WR01L13101 | ENS. PUERTA ESPUMADA REFR. |
| 22 | WR01L13142 | CUERPO JALAD.FZ.SOFTTOUCH.SIRIUS |
| 22 | WR01L13161 | CUERPO JALAD.FZ.SOFTTOUCH.SIRIUS |
| 25 | WR01L13144 | INSERTO JALADERA FZ SOFTTOUCH |
| 25 | WR01L13163 | INSERTO JALADERA FZ SOFTTOUCH |
| 28 | WR01A01273 | TOPE PUERTA REFRIGERADOR |
| 32 | WR01L04676 | ANAQUEL |
| 33 | WR01L04687 | ANAQUEL |
| 40 | WR01L04684 | ANAQUEL |
| 42 | WR01L05942 | SELLO AE |
| 52 | WR01L02462 | BUJE BISAGRA |
| 53 | WR01L00340 | BUSHING HINGE |
| 58 | WR01L13143 | CUERPO JALAD.FF.SOFTTOUCH.SIRIUS |
| 58 | WR01L13162 | CUERPO JALAD.FF.SOFTTOUCH.SIRIUS |
| 61 | WR01L13145 | INSERTO JALADERA FF SOFTTOUCH |
| 61 | WR01L13164 | INSERTO JALADERA FF SOFTTOUCH |
| 67 | WR01F02218 | FABRICA HIELOS ENS. |
| 109 | WR01F02537 | TARJETA DISPLAY SIRIUS |
| 113 | WR01A02330 | ENS. SOPORTE Y MASCARA |
| 126 | WR01L05020 | ENS. SMART STATION |
| 127 | WR01L04955 | ENS. PANELES |
| 128 | WR01L04920 | ENS. SELLO SILICON SS |
| 129 | WR01L05018 | ENS. PUERTA SS |
| 130 | WR01L05133 | PARRILLA SS |
| 131 | WR01L13146 | ENS. ACCESO EXTERNO COMPLETO |
| 132 | WR01L13136 | MASCARA INSERTO FF AE |
| 134 | WR01F02235 | FOIL ALUMINIO |
| 151 | WR01L05964 | TAPA BISAGRA DISPLAY |
| 167 | WR01A01225 | TORNILLO NIVELADOR |
| 167 | WR01A02469 | TORNILLO NIVELADOR |
| 168 | WR01A02261 | TORNILLO NIVELADOR |
| 168 | WR01A02470 | TORNILLO NIVELADOR |

Distribuidor Autorizado

SurteRápido.com

Venta de Refacciones
Electrodomesticas

REFRIGERADOR RMS510IZMRPA

| Guía | Refacción | Descripción |
|------|------------|-------------------------------------|
| 173 | WR01A02262 | SOP. BIS. INF. ENS. COMP. |
| 176 | WR01L05130 | PARRILLA CONG. ENS. |
| 179 | WR01L05128 | PARRILLA REFR. ENS. |
| 182 | WR01A01201 | BOTON |
| 186 | WR01L11144 | CAJON DELI ENS.C/INSERTO(510LT |
| 189 | WR01F02134 | ENFRIADOR EXPRESS |
| 203 | WR01L11143 | ENS. CAJON VEGETALES 500L |
| 215 | WR01L04933 | ENS. CUBIERTA EVAPORADOR |
| 222 | WR01F03855 | INTERRUPTOR DE LUZ |
| 236 | WR01L04760 | BISAGRA SEPARADOR ENS. |
| 239 | WR01L09400 | BISAGRA INTERMEDIA ENS. |
| 245 | WR01A01613 | ESPACIADOR PUERTA SIRIUS 360 |
| 247 | WR01A01179 | SOPORTE NIVELADOR |
| 260 | WR01F00099 | ASPA DE VENTILADOR ENS |
| 264 | WR01L05019 | REJILLA DE AIRE ENS. |
| 269 | WR01A00239 | EMPAQUE VENTILADOR |
| 272 | WR01F04574 | MOTOR EVAP SKELETON SIRIUS |
| 272 | WR01F04955 | MOTOR EVAP SKELETON SIRIUS |
| 273 | WR01L11899 | SOPORTE FRONTAL MOTOR VENTILADOR |
| 274 | WR01F04573 | ENS.MOTOR VENT.EVA SIRIUS 110V |
| 274 | WR01F05148 | ENS.MOTOR VENT.EVA SIRIUS 110V |
| 275 | WR01L11900 | SOPORTE POSTERIOR MOTOR VENTILADOR |
| 300 | WR01L05913 | REJILLA DE AIRE FF |
| 320 | WR01L11007 | ENS. ESTACION DE ACCESO RAPIDO |
| 323 | WR01A02110 | BUJE |
| 326 | WR01L11008 | ENS. BASE DE ESTACION ACC. RAPIDO |
| 329 | WR01L11009 | ENS. CAJA |
| 332 | WR01A02109 | TOPE MANGUETE VRT |
| 354 | WR01L06006 | TAPA COMPRESOR |
| 363 | WR01F04436 | ENS.COMP.EVAP.127V.510 |
| 367 | WR01F04443 | ENS.ARNES RESISTENCIA DESHIELO 115V |
| 367 | WR01F05153 | ENS.ARNES RESISTENCIA DESHIELO 115V |
| 381 | WR01L04807 | CHAROLA DESHIELO |
| 393 | WR01F04586 | TARJETA CONTROL Z 400/510 MEX |
| 399 | WR01F02022 | CAJA CONTROL |
| 404 | WR01L05943 | SELLO DE ESPUMA |
| 405 | WR01F02289 | SOCKET ENS. |

Distribuidor Autorizado

SurteRápido.com

Venta de Refacciones
Electrodomesticas

REFRIGERADOR RMS510IZMRPA

| Guía | Refacción | Descripción |
|------|------------|-------------------------------------|
| 408 | WR03F04631 | FOCO LED 130V (1.5W) |
| 408 | WR01F03875 | FOCO LED 130V (1.5W) |
| 409 | WR01L13110 | SELLO LAMPARA |
| 410 | WR01F04512 | ENS.CUBIERTA Y SELLO A |
| 411 | WR01F03365 | AISLANTE ELECT.CAJA CTRL.S.360 |
| 415 | WR01F02129 | DUCTO SENS.OR AIRE |
| 420 | WR01F04341 | ENS ARNES TOMACORRIENTE |
| 423 | WR01F04438 | ARNES CONTROL Z |
| 426 | WR01A01451 | CLIP MOTOR CONDENSADOR ROHS |
| 427 | WR01F04433 | MOTOR CONDENSADOR |
| 429 | WR01F04600 | COMPRESOR MEIZHI |
| 430 | WR01L13178 | APENDICE DE CARGA MEIZHI |
| 431 | WR01F04636 | TUBO RECTO SALIDA COMPRESOR |
| 432 | WR01L13176 | PROTECTOR RELEVADOR 5SP14B302TFD-02 |
| 433 | WR01F04599 | APENDICE SUCCIÓN |
| 437 | WR01A01146 | PLACA PROTECTOR MOTOR COND. |
| 441 | WG03F06144 | CLIP RETENEDOR |
| 442 | WR01A01615 | CLIP CONECTOR |
| 444 | WR01F03902 | FILTRO DESHIDRATADOR |
| 450 | WR01F02375 | VALVULA DREN |
| 465 | WR03F04640 | CAPACITOR 12 MICROFARADIOS |
| 465 | WR01F04742 | CAPACITOR 12 MICROFARADIOS |
| 468 | WR01F01965 | AMORTIGUADOR |
| 474 | WR01A00191 | CLIP COMPRESOR |
| 477 | WR01F02184 | ENS. SOPORTE COMPRESOR |
| 477 | WR01A02417 | ENS. SOPORTE COMPRESOR |
| 489 | WR01F04434 | CONDENSADOR |
| 492 | WR01L04887 | CUBIERTA LUZ |
| 506 | WR03F04831 | ARNES DE TIERRA |
| 508 | WR01F01993 | ARNES TIERRA |
| 510 | WR01L13183 | ENS.MOTOR CONDENS.127v SIRIUS |
| 551 | WR01A01224 | TORNILLO 8-19 |
| 552 | WR01A01286 | TORNILLO C/PHILL.(8-32X12.7MM. |
| 573 | WR01L06256 | BOTON FABRICA DE HIELOS |
| 716 | WR01A00133 | BROCHE DE TERMISTOR |
| 916 | WR01L13111 | SEPARADOR |
| 934 | WR01A00184 | TUBO ABRAZADERA |