

Distribuidor Autorizado

SurteRápido.com

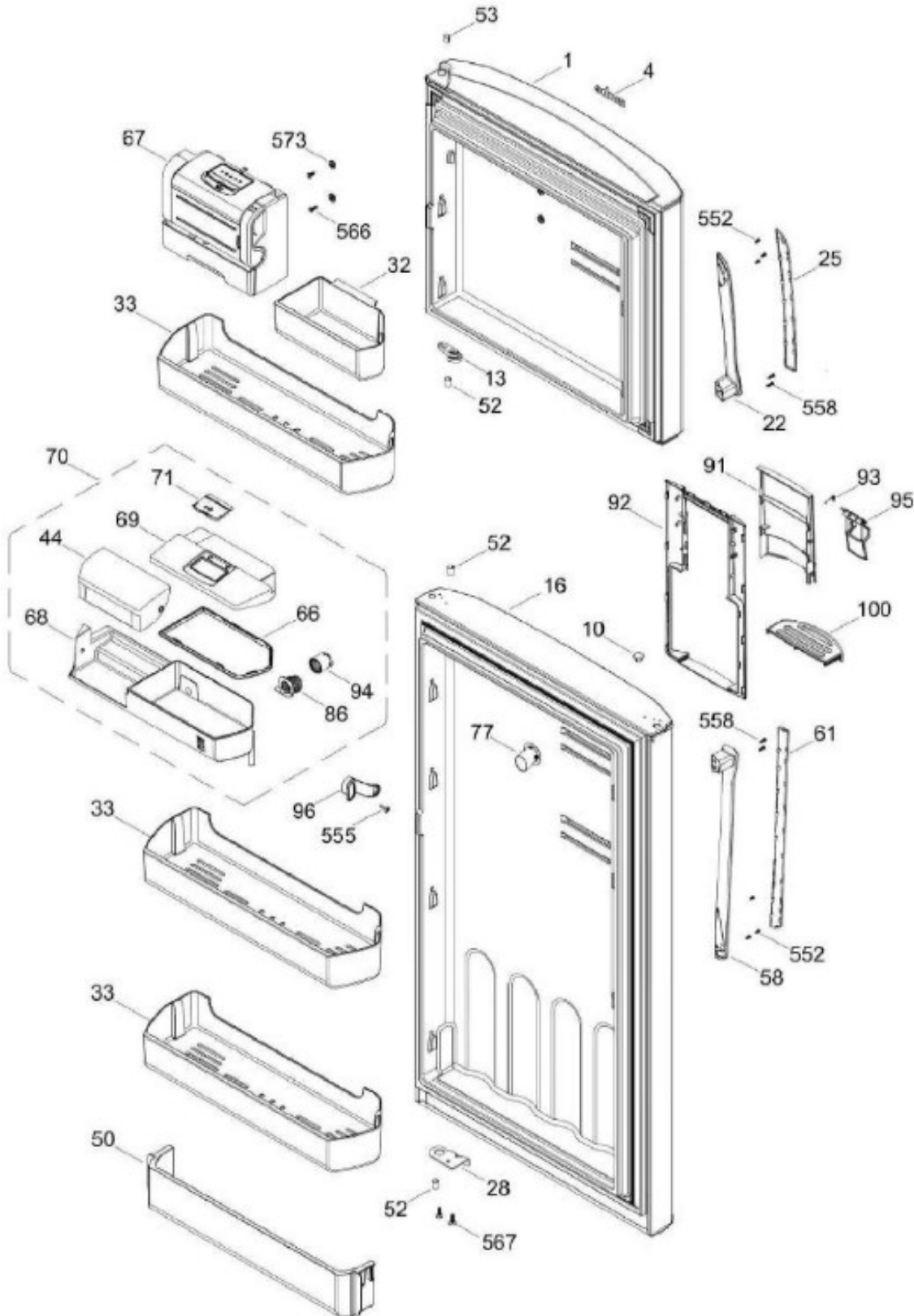
Venta de Refacciones  
Electrodomesticas



# REFRIGERADOR RMT400RYMREA

PUERTA

RMT400RYMREA



Distribuidor Autorizado

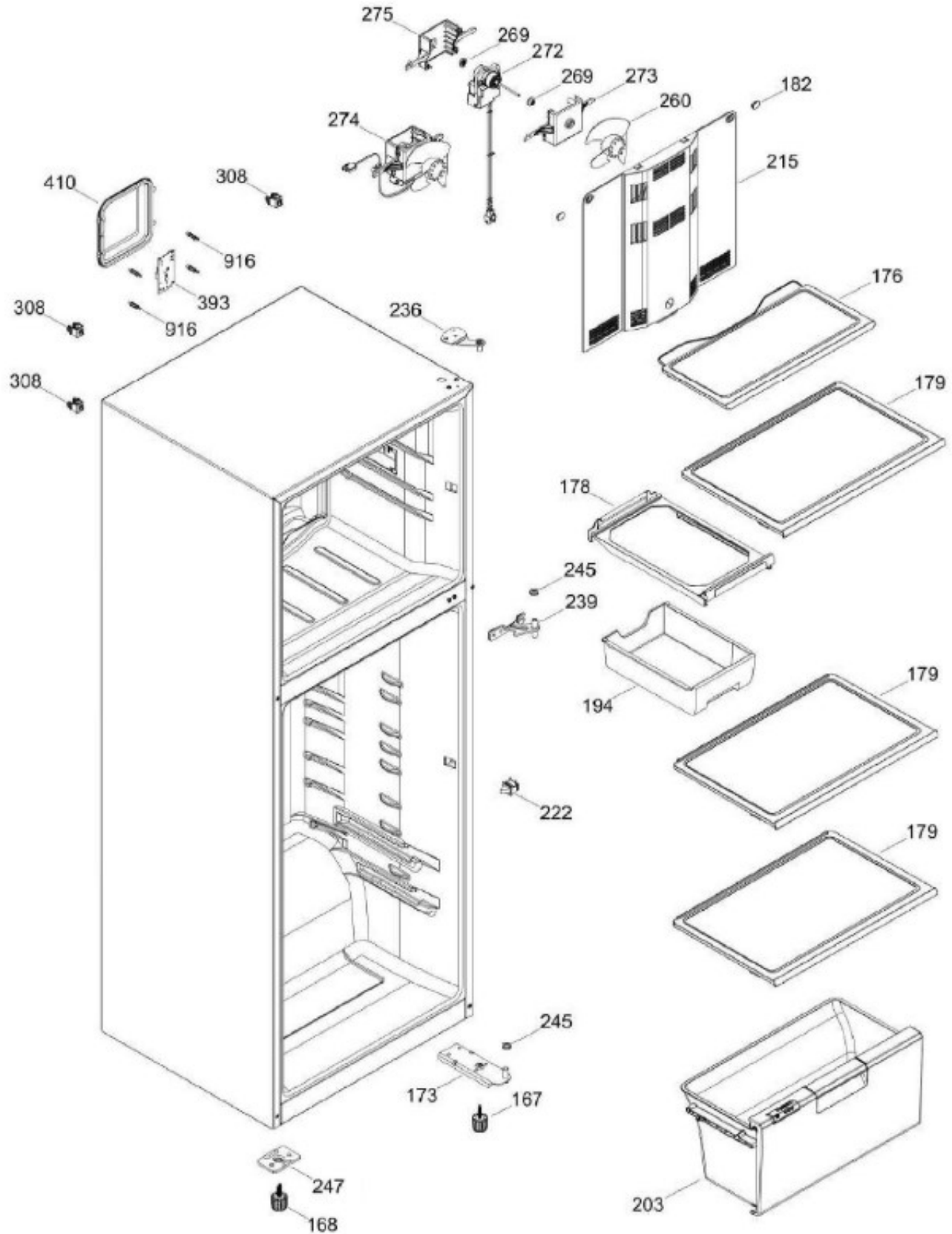
SurteRápido.com

Venta de Refacciones  
Electrodomesticas

# REFRIGERADOR RMT400RYMREA

GABINETE

RMT400RYMREA





Distribuidor Autorizado

**SurteRápido.com**

Venta de Refacciones  
Electrodomesticas

# REFRIGERADOR RMT400RYMREA

| Guía | Refacción  | Descripción                       |
|------|------------|-----------------------------------|
| 1    | WR01L11174 | PUERTA FZ.ESP.Y.400.MB.ECOPET.S/D |
| 4    | WR01A02267 | PLACA EMBLEMA MABE                |
| 10   | WR03F04806 | TAPÓN BUJE DORIAN GRAY            |
| 13   | WR01A01217 | TOPE PUERTA INTERMEDIO            |
| 16   | WR01L11175 | PUERTA FF.ESP.Y/Z.400.ECOPET.D.AG |
| 22   | WR01L04727 | BASE JALADERA                     |
| 25   | WR01L09723 | INSERTO LITTLE SWAN S/HS.FZ       |
| 28   | WR01A01273 | TOPE PUERTA REFRIGERADOR          |
| 32   | WR01L04675 | ANAQUEL CORTO CONG                |
| 33   | WR01L04686 | MODULE COMPLETO CONG / ENF        |
| 44   | WR01L05892 | PUERTA MANTEQUILLERA              |
| 50   | WR01L04683 | ANAQUEL BOTELLAS (66)             |
| 52   | WR01L02462 | BUJE BISAGRA                      |
| 53   | WR01L00340 | BUSHING HINGE                     |
| 58   | WR01L04726 | BASE JALADERA                     |
| 61   | WR01L09724 | INSERTO LITTLE SWAN S/HS.FF       |
| 66   | WR01L05933 | SELLO CUBIERTA TANQUE AGUA(400    |
| 67   | WR01F02218 | FABRICA HIELOS ENS.               |
| 68   | WR01F02297 | TANQUE AGUA SIRIUS 400LT(2LT)     |
| 69   | WR01L04893 | CUBIERTA TANQUE AGUA              |
| 70   | WR01F02188 | ENS. TANQUE AGUA                  |
| 71   | WR01L06021 | TAPA TANQUE AGUA                  |
| 77   | WR01F02131 | DUCTO TANQUE                      |
| 86   | WR01L05037 | FUNDA TANQUE AGUA                 |
| 91   | WR01L09727 | TAPA MCO LITTLE SWAN CON SERIG    |
| 92   | WR01L09726 | MARCO DESPACHADOR NEGRO 30 PREM   |
| 93   | WR01A01148 | RESORTE                           |
| 94   | WR01F02196 | ENSAMBLE VALVULA MODIFICADA       |
| 95   | WR01L09725 | ACTUADOR LITTLE SWAN              |
| 96   | WR01A01154 | SEGURO TANQUE AGUA                |
| 100  | WR01F04173 | RECOGEGOTAS LITTLE SWAN PREMIUM   |
| 167  | WR01A01225 | TORNILLO NIVELADOR                |
| 167  | WR01A02469 | TORNILLO NIVELADOR                |
| 168  | WR01A02261 | TORNILLO NIVELADOR                |
| 168  | WR01A02470 | TORNILLO NIVELADOR                |

Distribuidor Autorizado

**SurteRápido.com**

Venta de Refacciones  
Electrodomesticas

# REFRIGERADOR RMT400RYMREA

| Guía | Refacción  | Descripción                         |
|------|------------|-------------------------------------|
| 173  | WR01A02262 | SOP. BIS. INF. ENS. COMP.           |
| 176  | WR01L05129 | PARRILLA CRISTA LCONGELADOR         |
| 178  | WR01F02252 | MARCO SOPORTE CAJON CARNES          |
| 179  | WR01L05127 | PARRILLA CRISTAL ENFRIADOR          |
| 182  | WR01A01201 | BOTON                               |
| 194  | WR01L04771 | CAJON CARNES                        |
| 203  | WR01L06182 | CAJON LEG.GDE.C/SERIG.              |
| 203  | WR01L13595 | CAJON LEG.GDE.C/SERIG.              |
| 215  | WR01L04932 | CUBIERTA EVAPORADOR SUBENSAMBL      |
| 222  | WR01F03855 | INTERRUPTOR DE LUZ                  |
| 236  | WR01L04760 | BISAGRA SEPARADOR ENS.              |
| 239  | WR01L09400 | BISAGRA INTERMEDIA ENS.             |
| 245  | WR01A01613 | ESPACIADOR PUERTA SIRIUS 360        |
| 247  | WR01A01179 | SOPORTE NIVELADOR                   |
| 260  | WR01F00099 | ASPA DE VENTILADOR ENS              |
| 269  | WR01A00239 | EMPAQUE VENTILADOR                  |
| 272  | WR01F04574 | MOTOR EVAP SKELETON SIRIUS          |
| 272  | WR01F04955 | MOTOR EVAP SKELETON SIRIUS          |
| 273  | WR01L11899 | SOPORTE FRONTAL MOTOR VENTILADOR    |
| 274  | WR01F04573 | ENS.MOTOR VENT.EVA SIRIUS 110V      |
| 274  | WR01F05148 | ENS.MOTOR VENT.EVA SIRIUS 110V      |
| 275  | WR01L11900 | SOPORTE POSTERIOR MOTOR VENTILADOR  |
| 308  | WR03F04711 | SOPORTE CONDENSADOR                 |
| 363  | WR01F04435 | ENS.COMP.EVAP.127V 400              |
| 367  | WR01F04431 | ENS.ARNES RESISTENCIA DESHIELO 115V |
| 367  | WR01F05152 | ENS.ARNES RESISTENCIA DESHIELO 115V |
| 381  | WR01L04806 | CHAROLA DE DESHIELO                 |
| 387  | WR01L05143 | PERILLA CONTROL                     |
| 393  | WR01F04585 | TARJETA CONTROL 120 V MEX           |
| 393  | WR01F05184 | TARJETA CONTROL 120 V MEX           |
| 395  | WR01F04364 | TARJETA SELECTOR MODS.              |
| 399  | WR01F02023 | CAJA CONTROL                        |
| 404  | WR01L05943 | SELLO DE ESPUMA                     |
| 405  | WR01F02289 | SOCKET ENS.                         |
| 408  | WR01F03693 | FOCO FF                             |

Distribuidor Autorizado

**SurteRápido.com**

Venta de Refacciones  
Electrodomesticas

# REFRIGERADOR RMT400RYMREA

| Guía | Refacción  | Descripción                         |
|------|------------|-------------------------------------|
| 408  | WR03F04631 | FOCO LED 130V (1.5W)                |
| 408  | WR01F03875 | FOCO LED 130V (1.5W)                |
| 409  | WR01L13110 | SELLO LAMPARA                       |
| 410  | WR01F04512 | ENS.CUBIERTA Y SELLO A              |
| 411  | WR01F03365 | AISLANTE ELECT.CAJA CTRL.S.360      |
| 415  | WR01F02129 | DUCTO SENS.OR AIRE                  |
| 420  | WR01F04341 | ENS ARNES TOMACORRIENTE             |
| 423  | WR01F04437 | ARNES CONTROL X                     |
| 429  | WR01F04600 | COMPRESOR MEIZHI                    |
| 430  | WR01L13178 | APENDICE DE CARGA MEIZHI            |
| 431  | WR01F04636 | TUBO RECTO SALIDA COMPRESOR         |
| 432  | WR01L13176 | PROTECTOR RELEVADOR 5SP14B302TFD-02 |
| 433  | WR01F04599 | APENDICE SUCCIÓN                    |
| 441  | WG03F06144 | CLIP RETENEDOR                      |
| 442  | WR01A01615 | CLIP CONECTOR                       |
| 444  | WR01F03902 | FILTRO DESHIDRATADOR                |
| 450  | WR01F02375 | VALVULA DREN                        |
| 453  | WR01F04598 | SERPENTIN DE EVAPORACIÓN MEIZHI     |
| 459  | WR01F01964 | AMORTIGUADOR PARA CONDENSADOR       |
| 465  | WR03F04640 | CAPACITOR 12 MICROFARADIOS          |
| 465  | WR01F04742 | CAPACITOR 12 MICROFARADIOS          |
| 468  | WR01F01965 | AMORTIGUADOR                        |
| 474  | WR01A00191 | CLIP COMPRESOR                      |
| 477  | WR01A01616 | ENS.SOP.COMPRESOR SIRIUS 360LT      |
| 489  | WR01F02084 | CONDENSADOR PLANO                   |
| 492  | WR01L04887 | CUBIERTA LUZ                        |
| 506  | WR03F04831 | ARNES DE TIERRA                     |
| 552  | WR01A01286 | TORNILLO C/PHILL.(8-32X12.7MM.      |
| 555  | WR01A00681 | SCR 8-18 AB IHW                     |
| 558  | WR01A01769 | TORNILLO C/PHILL.8-32X19.00MM.      |
| 566  | WR01A01135 | PI6JA 8-18X3/4                      |
| 567  | WR01A01231 | TORNILLO TIPO AB(8-18*5/8)          |
| 573  | WR01L06256 | BOTON FABRICA DE HIELOS             |
| 716  | WR01A00133 | BROCHE DE TERMISTOR                 |
| 916  | WR01L13111 | SEPARADOR                           |
| 934  | WR01A00184 | TUBO ABRAZADERA                     |